

Home Care Technical Specification

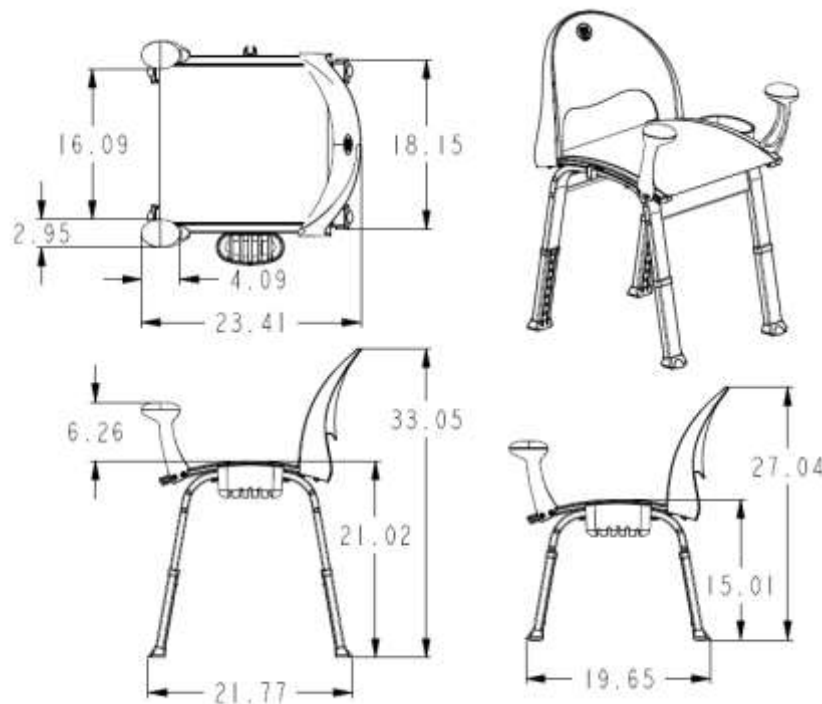
Premium Shower Chair

DN7100

Stock Numbers:

- DN7100 – Premium Shower Chair

Dimensions:



Materials:

Mesh material is Glass filled Polyester with PVC coating.

Legs and Frame are 6063 Aluminum.

Seat back is Polypropylene.

Arms are Glass filled Polypropylene.

Feet are Thermoplastic rubber (TPR).

ASSEMBLY TESTED
TO CONFIRM ADA
COMPLIANCE



TO PREVENT SERIOUS OR FATAL INJURY:
Insure product is assembled, adjusted and used properly. FOR USE ONLY BY PERSONS WEIGHING LESS THAN 400 POUNDS. Failure to follow correct assembly and/or adjustment procedures can make the seat unstable. ALL FOUR LEGS MUST BE LOCKED IN PLACE AT THE SAME HEIGHT. DO NOT jump on, stand on or tilt. Contact CSI immediately at 1-800-882-0116 if any components are missing or damaged. Do not modify or substitute any components. FOR QUESTIONS OR ASSISTANCE WITH ASSEMBLY CONTACT CSI AT 1-800-882-0116. Consult healthcare professional for advice and instructions specific to user's needs before use.

Stock Number: _____ Premium Shower
Chair By Creative Specialties

25300 AL MOEN DRIVE • NORTH OLMSTED, OH 44070
CORPORATE HEADQUARTERS: (800) 321-8809 • FAX: (800) 848-6636
INTERNATIONAL: (440) 962-2000 • FAX: (440) 962-2726
CUSTOMER SERVICE (USA): 800-882-0116 • FAX: (888) 379-2720
WWW.MOEN.COM

©Copyright Creative Specialties International

Literature #BA1445

