

BALE BAND-IT

200

Parts Manual

Model 200



SECTION #		SECTION NAME
105	D	BACK FLOOR
110	E	BACK GATE
115	G	BANDING BOX
120	M	CHROME RAIL
125	M	ELEVATOR
130	H	HORIZONTAL PLUNGER
135	M	MISCELLANEOUS
140	M	PRESSURE PLATE
145	Y	STRAP DRUM
150	M	STRAP GUIDE ARMS
155	M	STRAP ROLLER – BRACES
160	Y	TIRES & WHEELS
165	L	VERTICAL PLUNGER

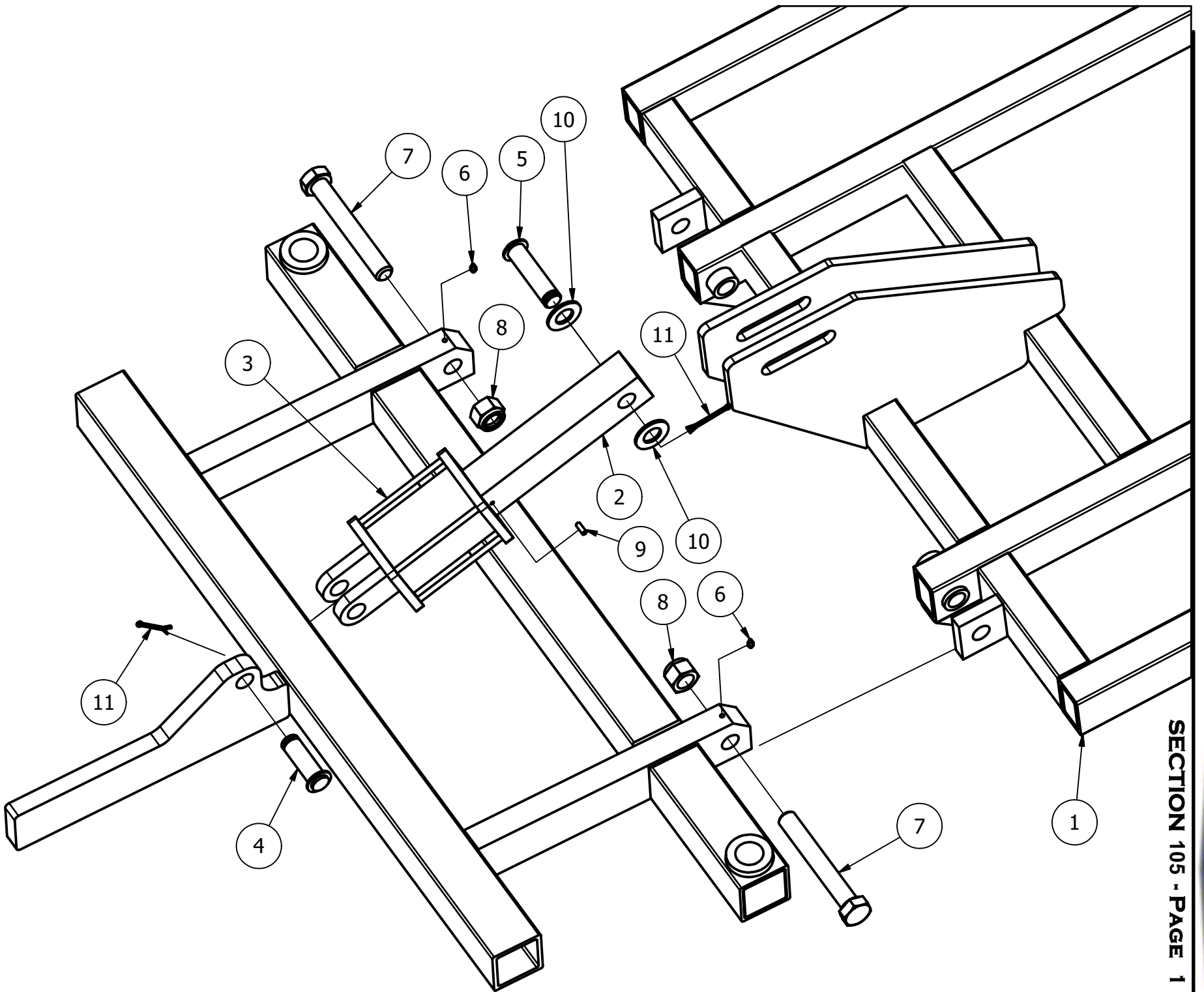
BALE BAND-IT PARTS

BACK FLOOR SECTION 105

105

TABLE OF CONTENTS

<u>NAME</u>	<u>PAGE #</u>
BACK FLOOR ASSEMBLY	1 - 2





Back Floor Assembly			
ITEM	QTY	PART NUMBER	DESCRIPTION
1	1	1-D-0000A	Back Floor Weldment
2	1	1-M-0066	YOKE FOR BACK FLOOR CYLINDER
3	1	1-Y-0077	Cylinder, Back Floor 4" Bore, 1.25" Rod x 2.75" Stroke w / pin & retainers
4	1	1-Y-0136	Pin, Cylinder 1"OD x 2.75" Usable with weld on washer end
5	1	1-Y-0703	Pin, Cylinder 1"OD x 3.625" Usable with weld on washer end
6	2	1-Z-0015	Grease Zerk - Straight, self tapping 0.25" - 28
7	2	1-Z-0057	Hex cap screw, 1" - 8 UNC x 7", GRD 5
8	2	1-Z-0078	Nylon Lock Nut, 1" - 8 UNC
9	1	1-Z-0106	Socket set screw flat point, 0.25" - 20 UNC x 0.75"
10	2	1-Z-0121	Washer, Flat Normal 1"
11	2	1-Z-0295	Cotter, Pin Standard 5/32" Dia. X 2.25" Long

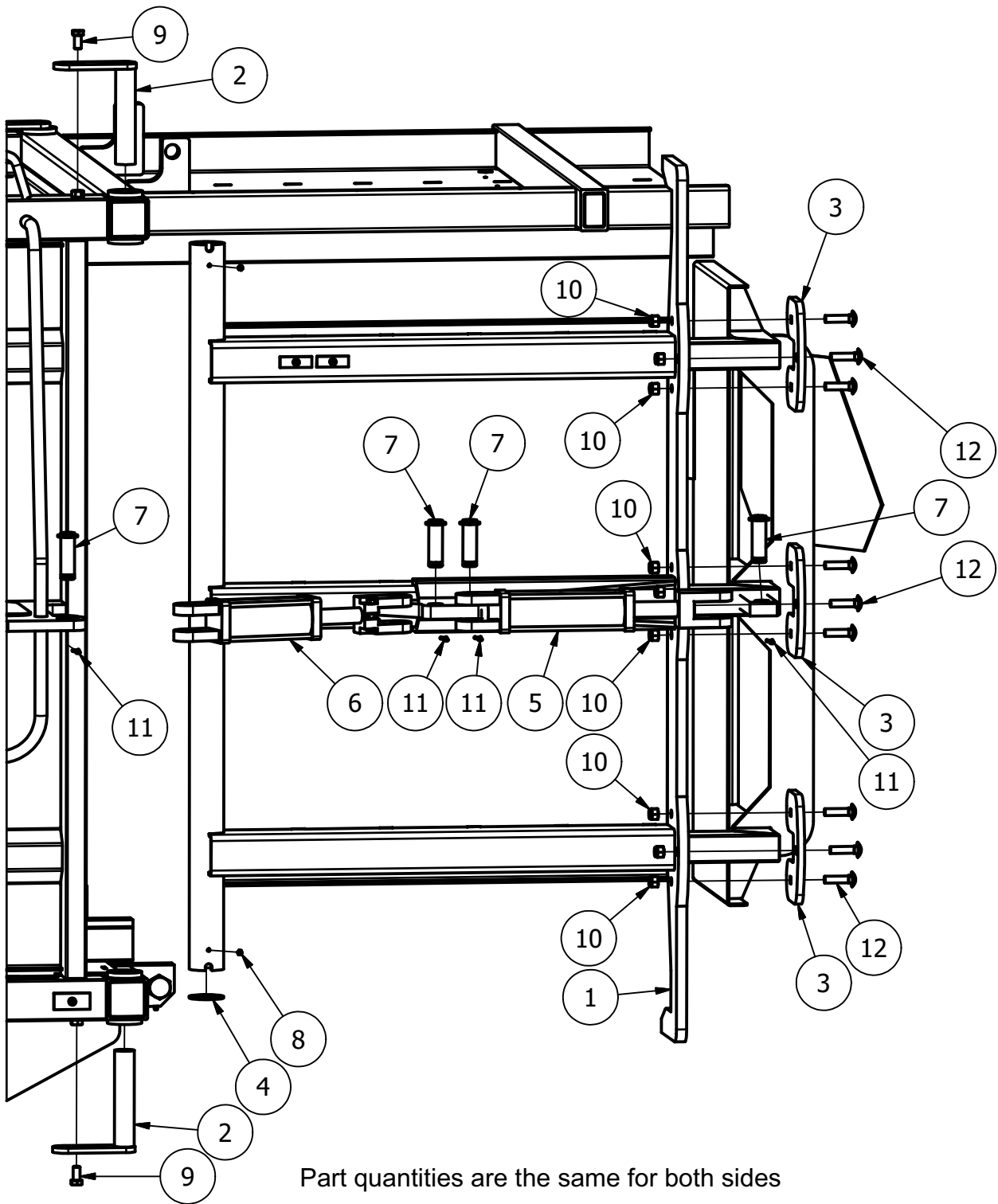
BALE BAND-IT PARTS

BACK GATE SECTION 110

TABLE OF CONTENTS

<u>NAME</u>	<u>PAGE #</u>
BACK GATE ASSEMBLY - LEFT	1 - 2
SLOW MOVING VEHICLE SIGN ADJUSTMENT	3

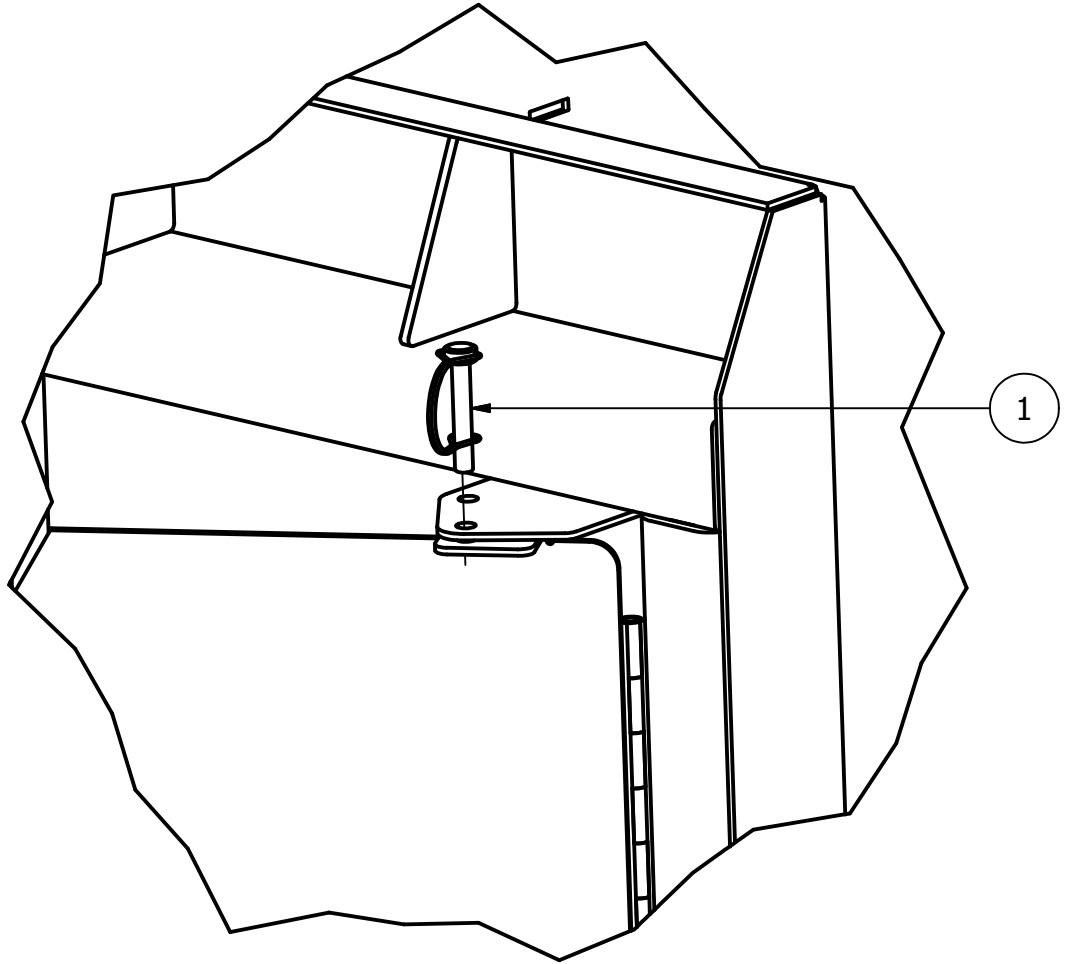
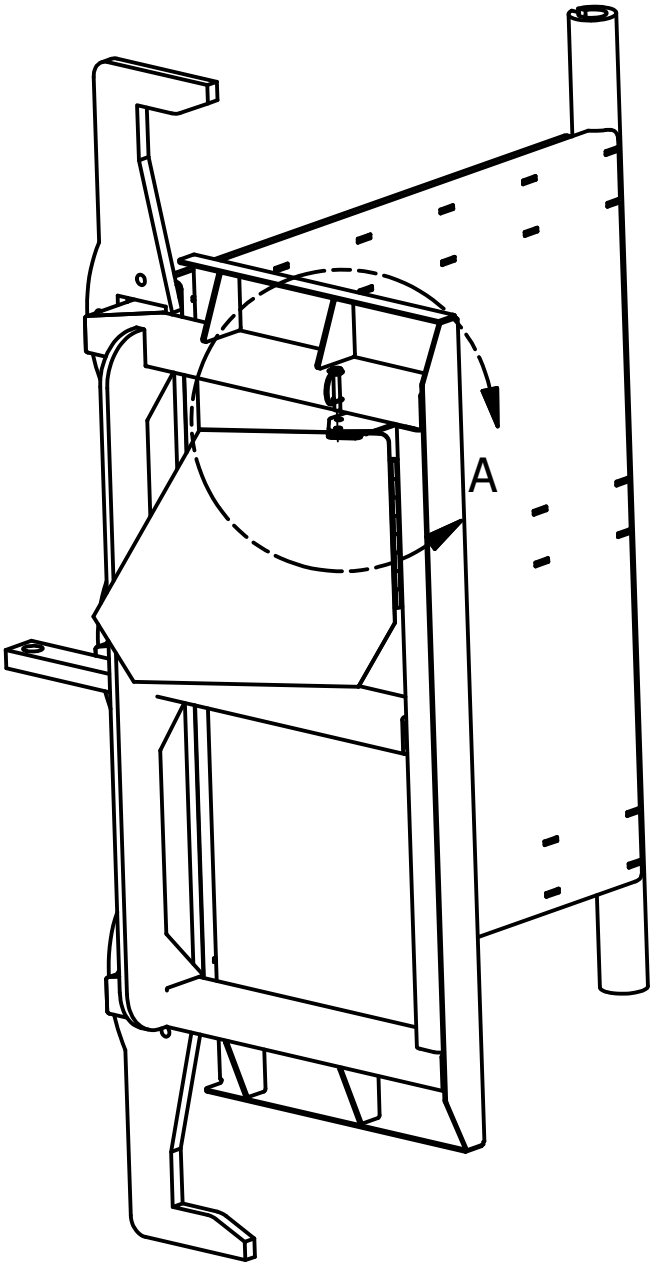
110



Part quantities are the same for both sides



Back Gate Assembly			
ITEM	QT	PART NUMBER	DESCRIPTION
1	1	1-E-0000A	Back gate left weldment
2	2	1-M-0000Q	Back Gate Pin Weldment
3	3	1-M-0210	Back Gate UHMW Slide
4	1	1-M-0256	Back Gate Shim Washer
5	1	1-Y-0078	Cylinder, Back Gate Telescope 2.5" Bore, 1.125" Rod x 8" Stroke
6	1	1-Y-0079	Cylinder, Back Gate Swing, 2.5" Bore 1.125" Rod x 6" Stroke
7	4	1-Y-0136	Pin, Cylinder 1"OD x 2.75" Usable with weld on washer end
8	2	1-Z-0015	Grease Zerk - Straight, self tapping 0.25" - 28
9	2	1-Z-0039	HEX CAP SCREW, .5"-13 UNC X 1", GRD 5
10	9	1-Z-0078	Nylon Lock Nut, 0.5" - 13 UNC
11	4	1-Z-0221	Cotter, Pin Standard 5/32" Dia. X 1.25" Long
12	9	1-Z-0307	Carriage Bolt, 1/2"-13 UNC x 2.0" G5



Slow Moving Vehicle Sign Adjustment

ITEM	QT	PART NUMBER	DESCRIPTION
1	1	1-Z-0093	Snap pin round retainer w/ tab lock 0.3125" Dia x 1.75" usable

BALE BAND-IT PARTS

BANDING BOX SECTION 115

TABLE OF CONTENTS

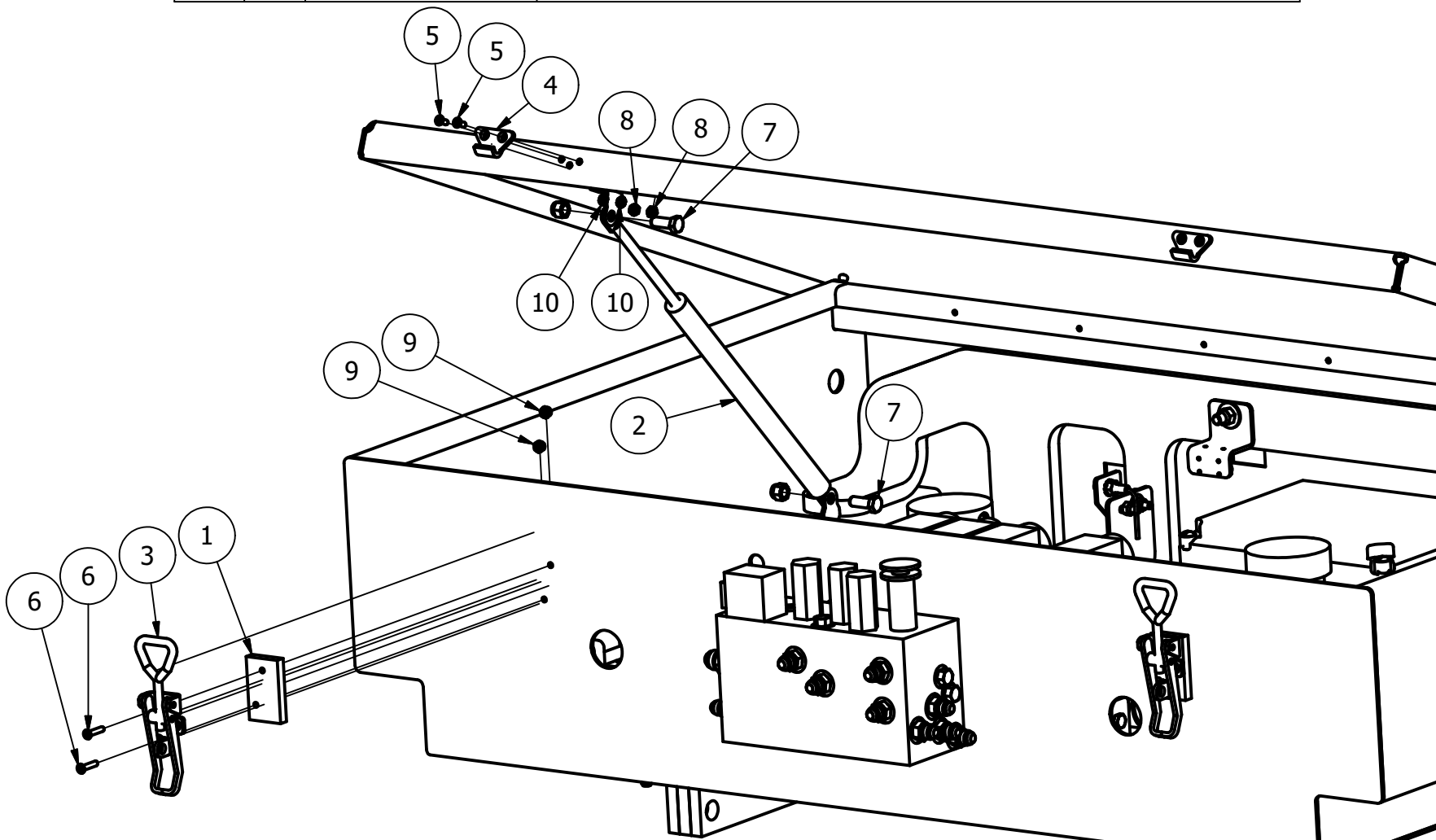
<u>NAME</u>	<u>PAGE #</u>
LID LATCH ASSEMBLY	1
TOP BANDER ASSEMBLY - RIGHT	2
TOP BANDER ASSEMBLY - LEFT	3
BOTTOM BANDER ASSEMBLY - RIGHT	4
BOTTOM BANDER ASSEMBLY – LEFT	5
TOP & BOTTOM BANDER ASSEMBLY	6
FULL BAND GUIDE ASSEMBLY	7
RED HANDLE LATCH & BANDER ALIGNER ASSEMBLY - LEFT	8
RED HANDLE LATCH & BANDER ALIGNER ASSEMBLY - RIGHT	9
CARRIAGE RAIL ASSEMBLY	10
CARRIAGE ASSEMBLY – LEFT	11-12
CARRIAGE ASSEMBLY – RIGHT	13-14
MANIFOLD MOUNTING	15

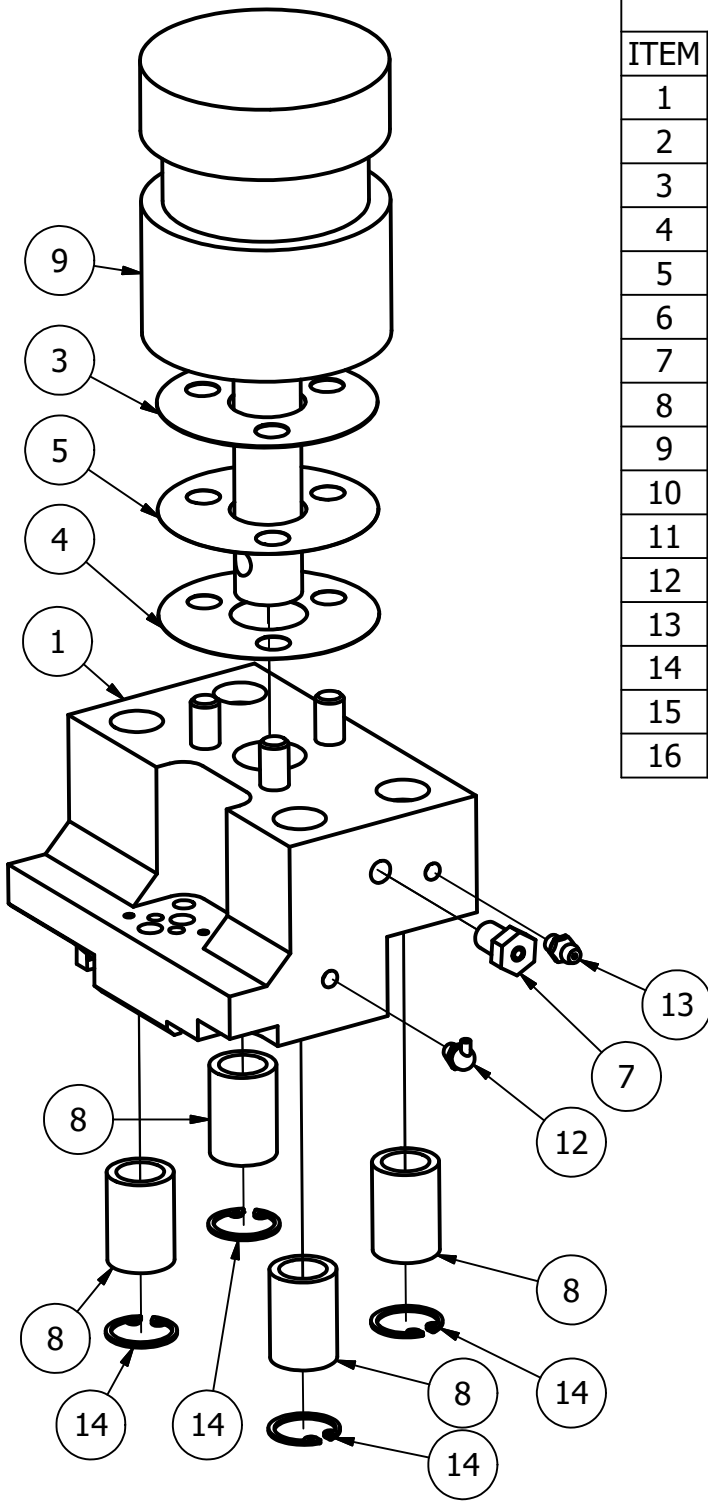


115



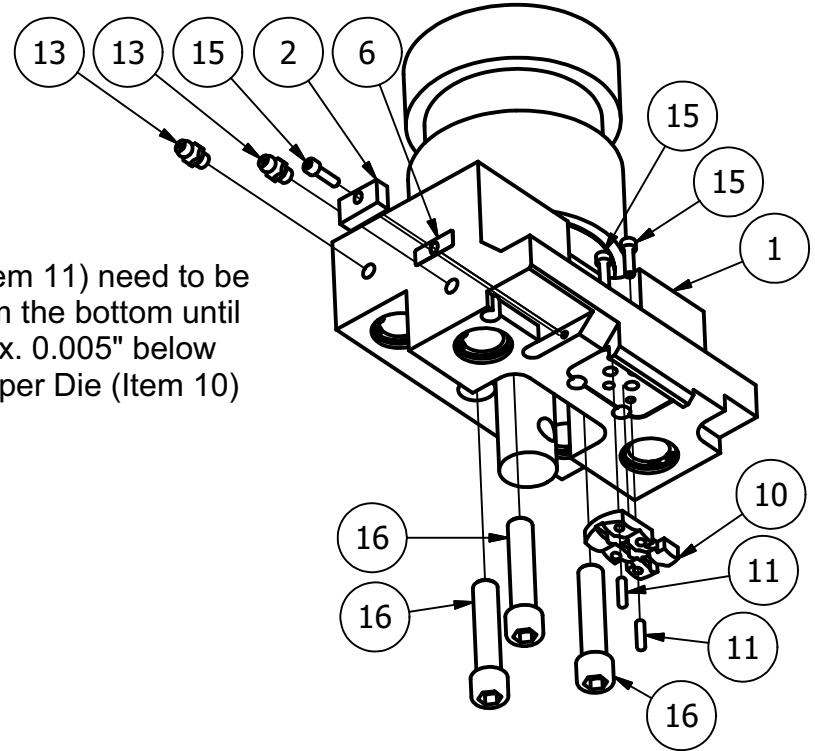
Lid Latch Assembly			
ITEM	QTY	PART NUMBER	DESCRIPTION
1	2	1-G-0067	Latch Shim
2	1	1-Y-0115	Gas cylinder, 23.5" Extended x 9.5" Stroke
3	2	1-Y-0827	adjustable draw latch loop bar
4	2	1-Y-0827b	Strike
5	4	1-Z-0007	Hexagon Socket Flat Countersunk Head Cap Screw
6	4	1-Z-0008	Hexagon Socket Flat Countersunk Head Cap Screw
7	2	1-Z-0028	Hex Cap Screw, .375"-16 UNC X 1"
8	4	1-Z-0069	Nut, Hex Regular #10 - 24 UNC
9	4	1-Z-0074	Nylon Lock Nut, #10"-24 UNC
10	4	1-Z-0130	Lock Washers (Inch Series) External Tooth Lock Washer - Type A





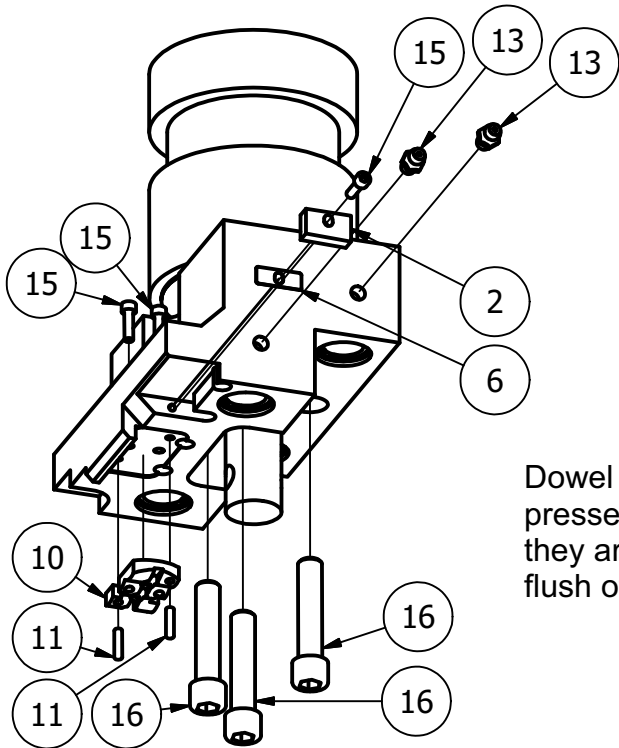
Top Bander Assembly - Right			
ITEM	QTY	PART NUMBER	DESCRIPTION
1	1	1-G-0033	Die Holder
2	1	1-G-0040	Upper Knife
3	1	1-G-0052	0.020" SHIM
4	1	1-G-0065	0.010" SHIM
5	1	1-G-0066	0.005" SHIM
6	1	1-G-0129	Shim - Upper Knife 0.005"
7	1	1-G-Assembly-014	Bander magnet holders - Plastic bolts
8	4	1-Y-0064	Bushing, Drill .625" ID x .875" OD x 1.25"
9	1	1-Y-0080	Cylinder, Bander 2.5" Bore, 0.875" Rod x 0.5" Stroke
10	1	1-Y-0161	Die, upper
11	2	1-Z-0004	Dowel Pin, .125 Dia X .5
12	1	1-Z-0014	Grease zerk self-tapping 90 degree 0.25" - 28
13	3	1-Z-0015	Grease Zerk - Straight, self tapping 0.25" - 28
14	4	1-Z-0085	Internal Retaining Rings
15	3	1-Z-0095	Socket Head Cap Screw #6-32 UNC X .25"
16	3	1-Z-0097	Socket Head Cap Screw .375"-16 UNC X 1.75"

Dowel Pins (Item 11) need to be pressed in from the bottom until they are approx. 0.005" below flush of the Upper Die (Item 10)

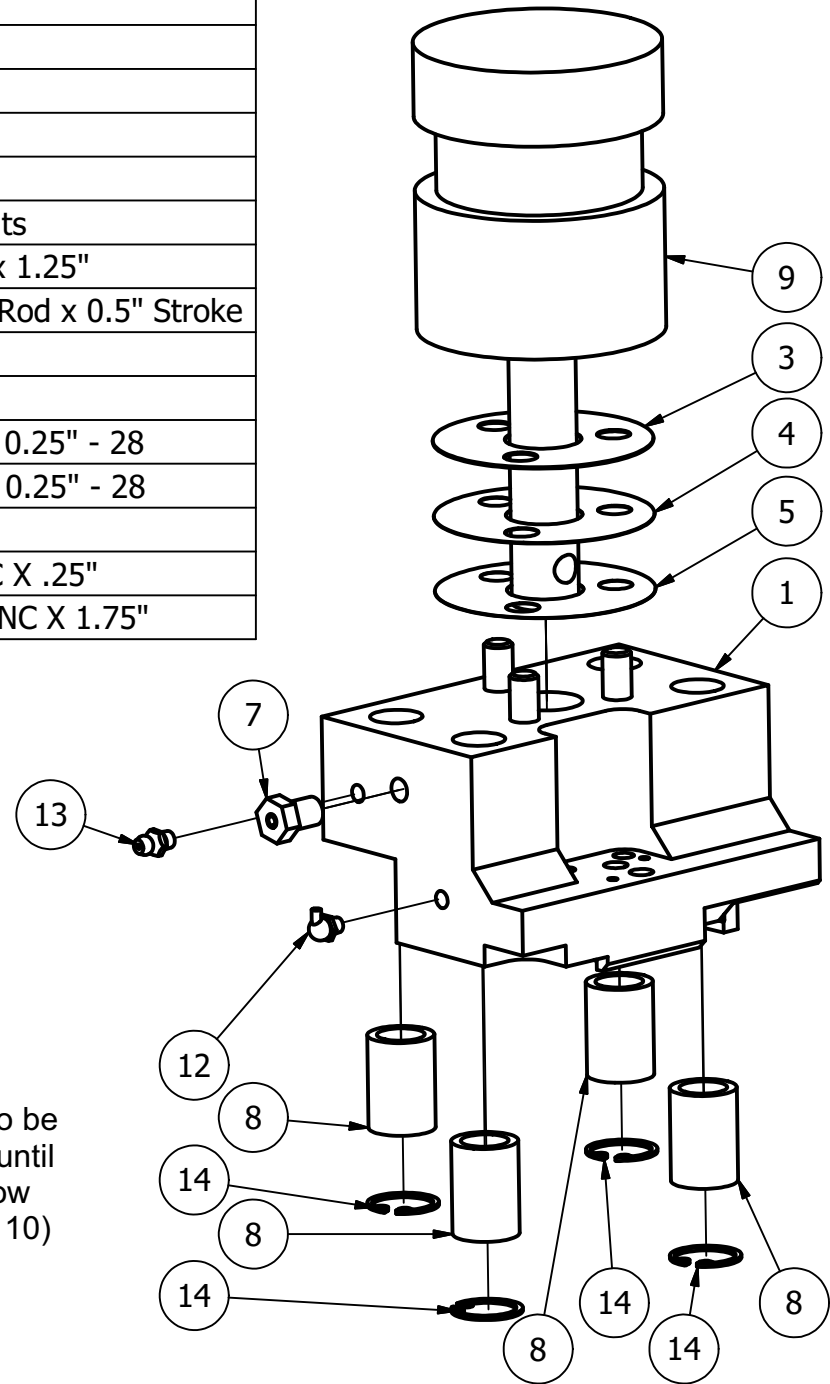


Top Bander Assembly - Left

ITEM	QTY	PART NUMBER	DESCRIPTION
1	1	1-G-0034	Die Holder
2	1	1-G-0040	Upper Knife
3	1	1-G-0052	0.020" SHIM
4	1	1-G-0065	0.010" SHIM
5	1	1-G-0066	0.005" SHIM
6	1	1-G-0129	Shim - Upper Knife 0.005"
7	1	1-G-Assembly-014	Bander magnet holders - Plastic bolts
8	4	1-Y-0064	Bushing, Drill .625" ID x .875" OD x 1.25"
9	1	1-Y-0080	Cylinder, Bander 2.5" Bore, 0.875" Rod x 0.5" Stroke
10	1	1-Y-0161	Die, upper
11	2	1-Z-0004	Dowel Pin, .125 Dia X .5
12	1	1-Z-0014	Grease zerk self-tapping 90 degree 0.25" - 28
13	3	1-Z-0015	Grease Zerk - Straight, self tapping 0.25" - 28
14	4	1-Z-0085	Internal Retaining Rings
15	3	1-Z-0095	Socket Head Cap Screw #6-32 UNC X .25"
16	3	1-Z-0097	Socket Head Cap Screw .375"-16 UNC X 1.75"



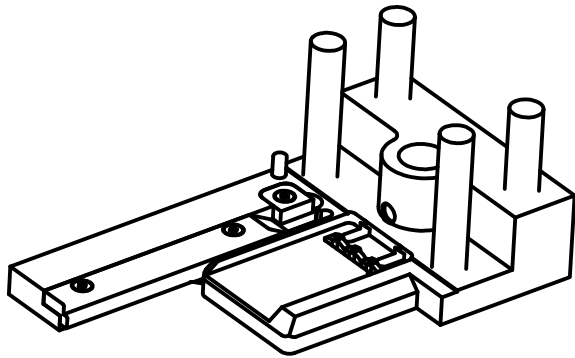
Dowel pins (item 11) need to be pressed in from the bottom until they are approx. 0.005" below flush of the Upper Die (item 10)



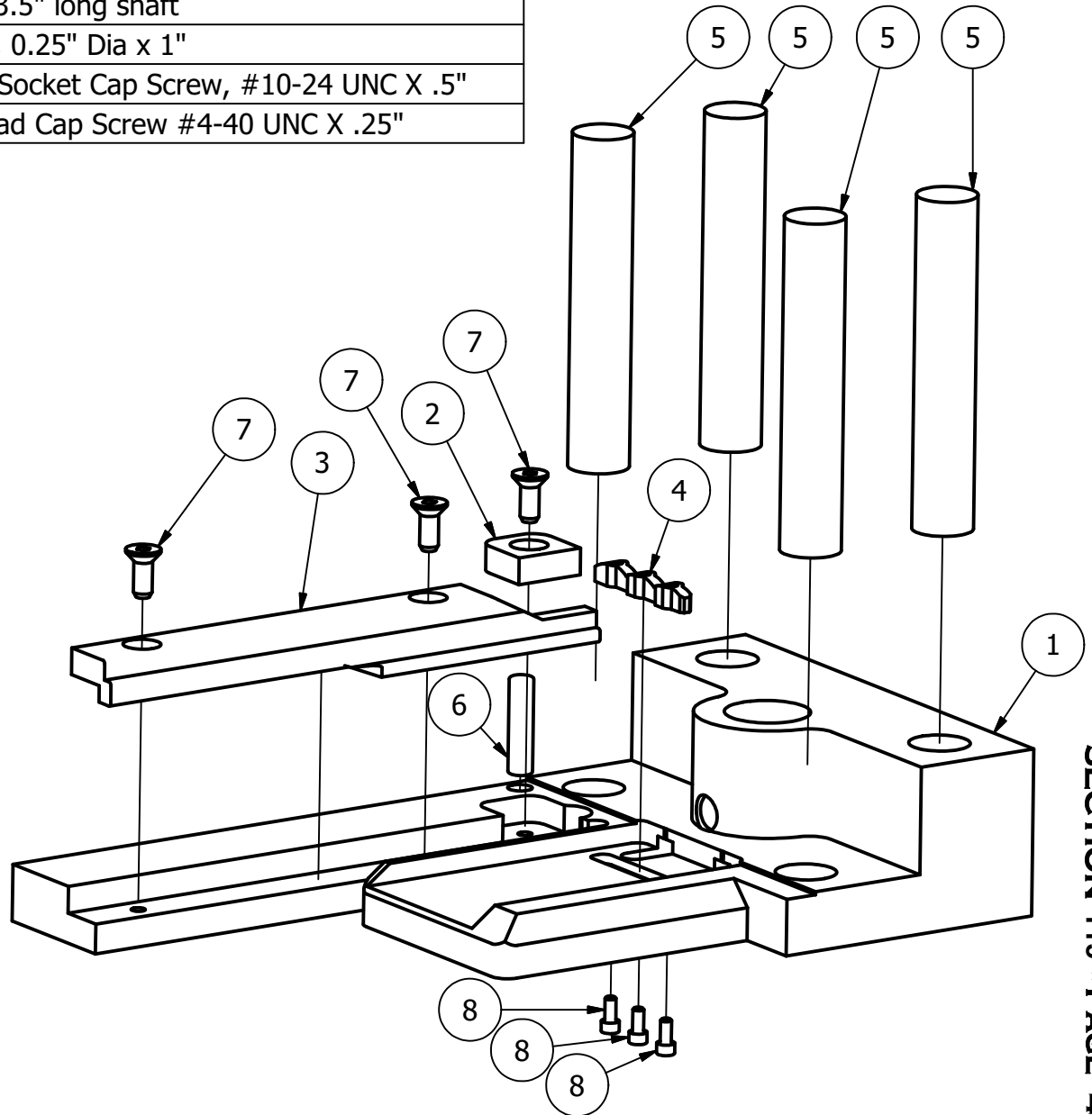


Bottom Bander Assembly - Right

ITEM	QT	PART NUMBER	DESCRIPTION
1	1	1-G-0031	Bottom Die Holder Right
2	1	1-G-0039	Lower Knife
3	1	1-G-0086	Zinc Plated Insert - Right
4	1	1-Y-0122	Die, lower
5	4	1-Y-0153	5/8"OD x 3.5" long shaft
6	1	1-Z-0005	Dowel Pin, 0.25" Dia x 1"
7	3	1-Z-0007	Flat Head Socket Cap Screw, #10-24 UNC X .5"
8	3	1-Z-0094	Socket Head Cap Screw #4-40 UNC X .25"

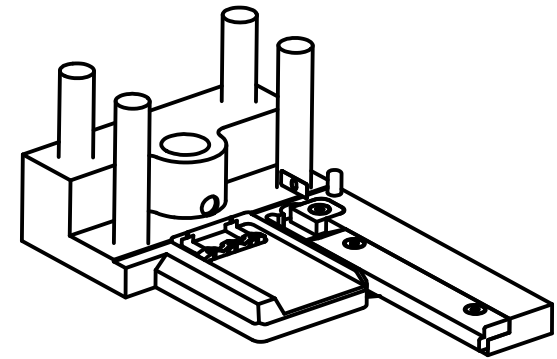
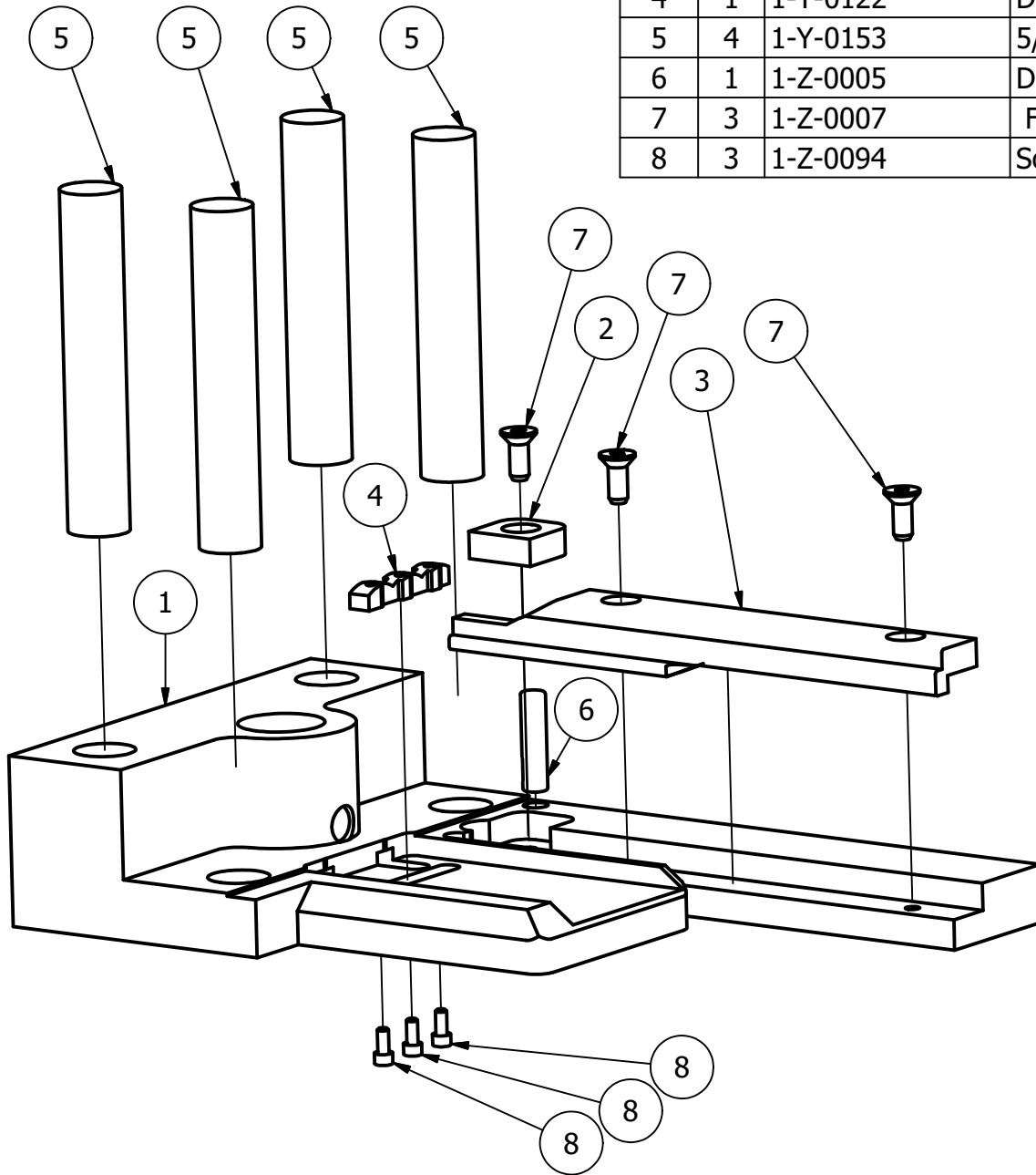


Assembled



Bottom Bander Assembly - left

ITEM	QTY	PART NUMBER	DESCRIPTION
1	1	1-G-0032	Bottom Die Holder Left
2	1	1-G-0039	Lower Knife
3	1	1-G-0085	Zinc Plated Insert - Left
4	1	1-Y-0122	Die, lower
5	4	1-Y-0153	5/8"OD x 3.5" long shaft
6	1	1-Z-0005	Dowel Pin, 0.25" Dia x 1"
7	3	1-Z-0007	Flat Head Socket Cap Screw, #10-24 UNC X .5"
8	3	1-Z-0094	Socket Head Cap Screw #4-40 UNC X .25"

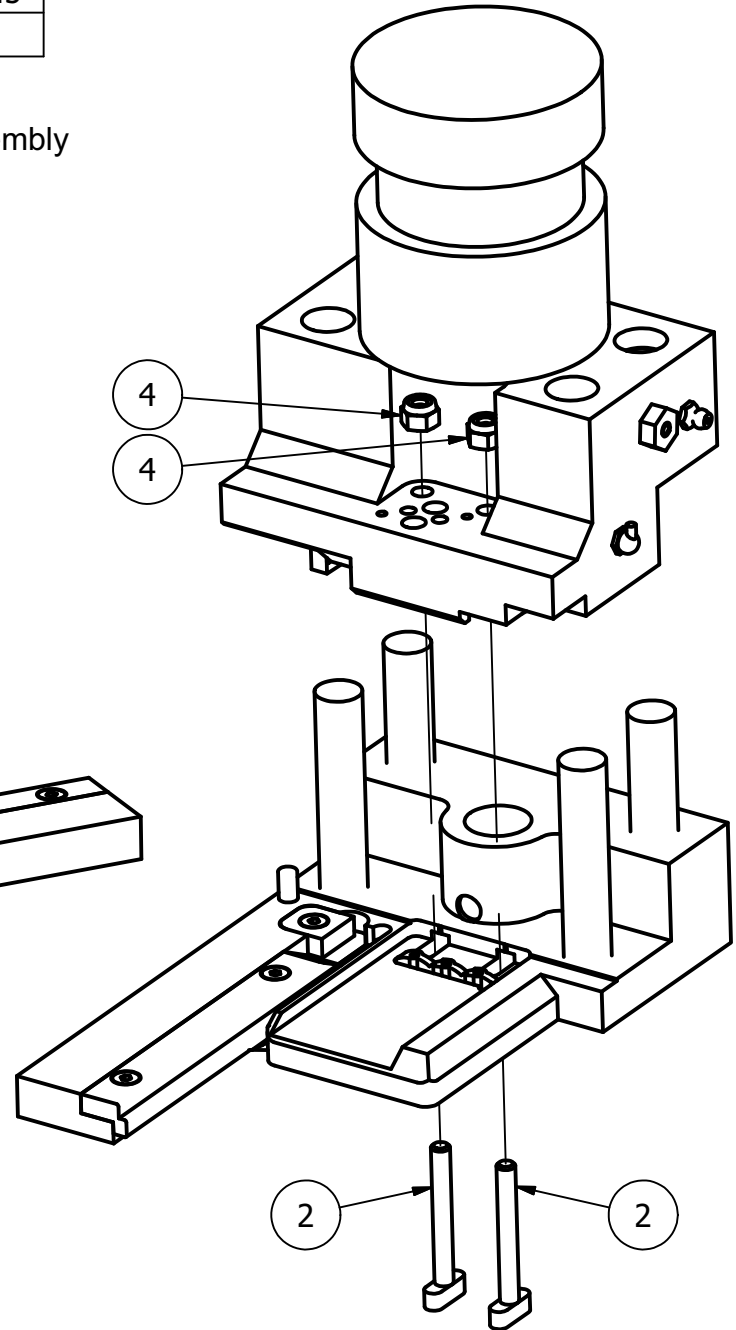
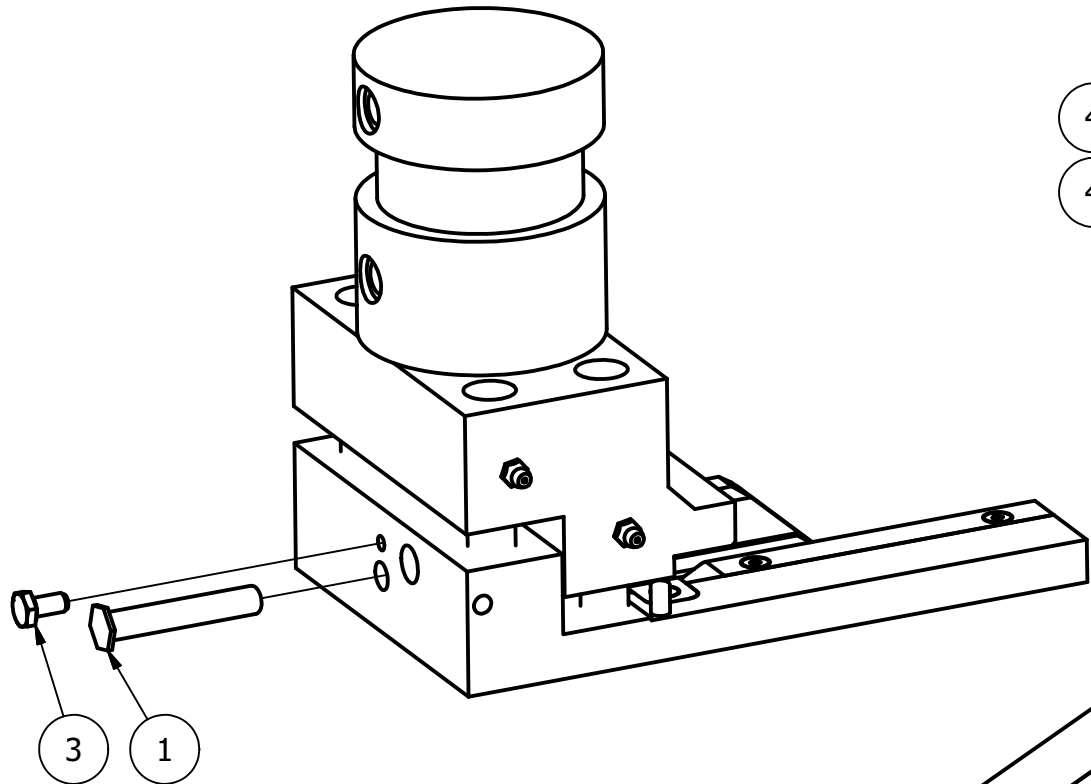


Assembled



Top & Bottom Bander Assembly			
ITEM	QT	PART NUMBER	DESCRIPTION
1	1	1-G-0021	Pin for Bander Cylinder
2	2	1-G-0068	Lifter
3	1	1-Z-0017	Hex Cap Screw, .25"-20 UNC X .5"
4	2	1-Z-0239	Nylon Lock Nut, 0.25" - 20 UNC

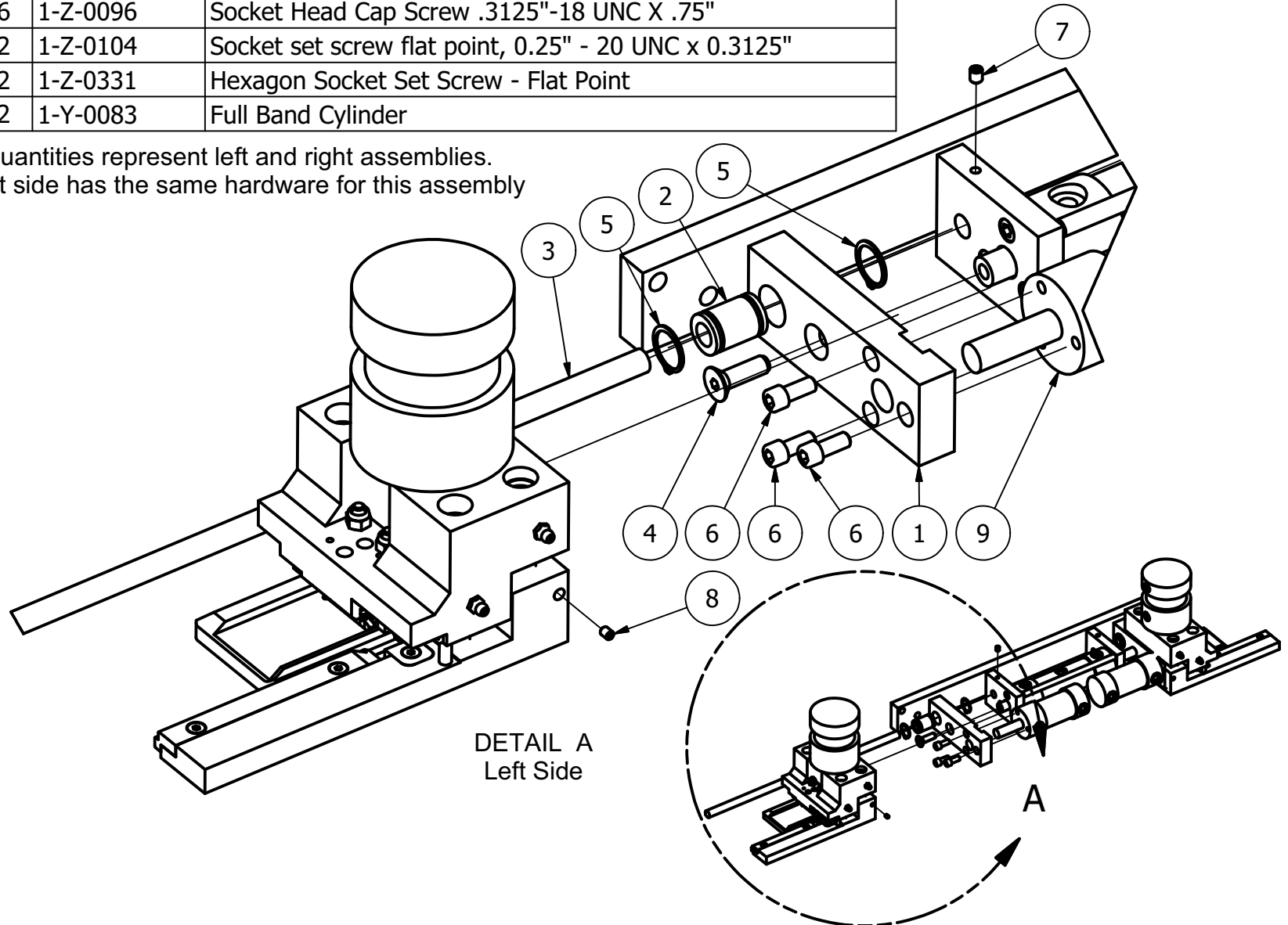
Note: Quantities shown are for one side.
The left side has the same hardware for this assembly



Full Band Guide Assembly

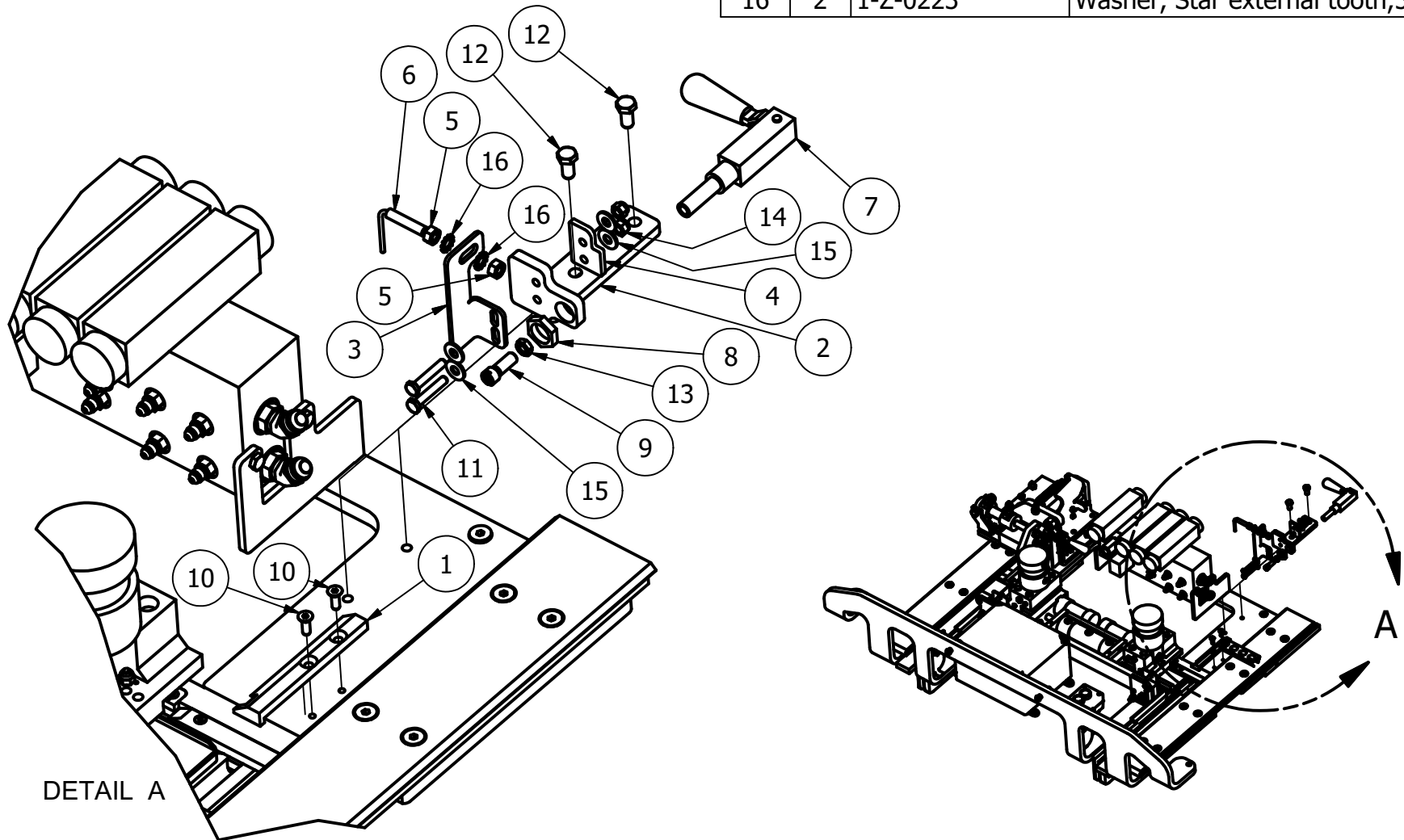
ITEM	QTY	PART NUMBER	DESCRIPTION
1	2	1-G-0047	CYLINDER MOUNT FOR FULL BAND POSITION
2	2	1-Y-0121	1/2"ID x 7/8"OD x 1.25" long linear bearing
3	1	1-Y-0152	1/2"OD x 14.875" long shaft
4	2	1-Z-0011	Flat Head Socket Cap Screw, 0.375" - 16 UNC x 1.25", GRD 8
5	4	1-Z-0084	Retaining Ring External .875"
6	6	1-Z-0096	Socket Head Cap Screw .3125"-18 UNC X .75"
7	2	1-Z-0104	Socket set screw flat point, 0.25" - 20 UNC x 0.3125"
8	2	1-Z-0331	Hexagon Socket Set Screw - Flat Point
9	2	1-Y-0083	Full Band Cylinder

Note: Quantities represent left and right assemblies.
The right side has the same hardware for this assembly



Red Handle Latch & Bander Aligner Assembly - Left			
ITEM	QTY	PART NUMBER	DESCRIPTION
1	1	1-G-0027	Zinc Plated Bander Aligner
2	1	1-G-0088	Red Handle Plate - Left
3	1	1-G-0110	Reed Bracket -Fetch Retract-Left
4	1	1-G-0123	Anti-Rotate Stop for Red Handle
5	2	1-Y-0205	Brass Nut, .3125-18 UNC
6	1	1-Y-0213	Reed Switch 5' Leads
7	1	1-Y-0685	Clamp Model 6004 Red Handle
8	1	1-Y-0685b	Red Handle Nut .75" UNC
9	1	1-Y-0704	Gripper, Adjustable ..3125"-18

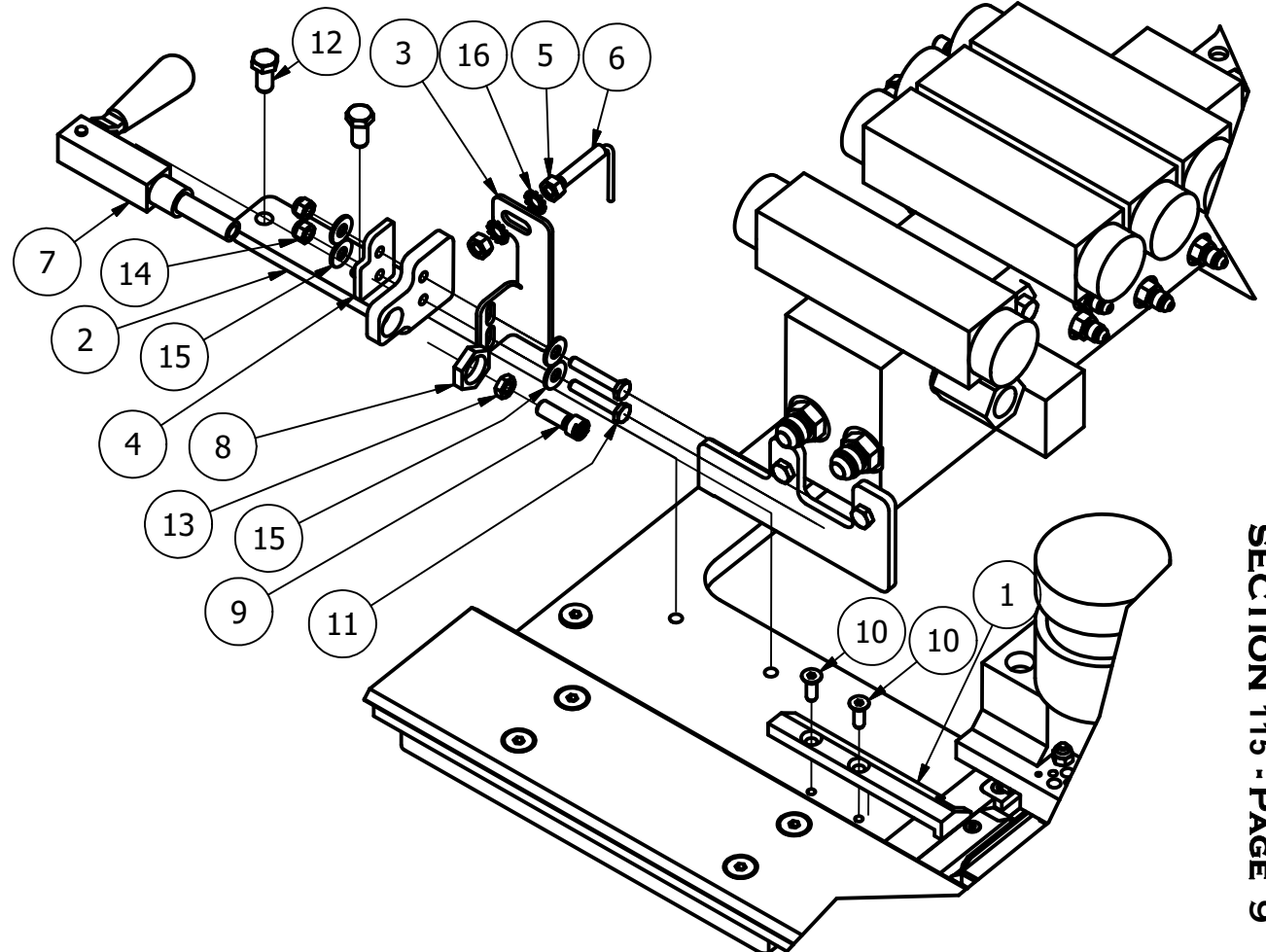
Red Handle Latch & Bander Aligner Assembly - Left			
ITEM	QTY	PART NUMBER	DESCRIPTION
10	2	1-Z-0009	Flat Head Socket Cap Screw, 0.25"-20 UNC x 0.75"
11	2	1-Z-0020	Hex Cap Screw, 0.25" - 20 UNC x 1.5"
12	2	1-Z-0027	Hex Cap Screw, 0.375" - 16 UNC x 0.75"
13	1	1-Z-0058	Hex Jam Nut .3125"-18 UNC
14	2	1-Z-0075	Nylon Lock Nut, .25"-20 UNC
15	4	1-Z-0180	Washer, Flat Normal 0.25"
16	2	1-Z-0223	Washer, Star external tooth,5/16"



DETAIL A

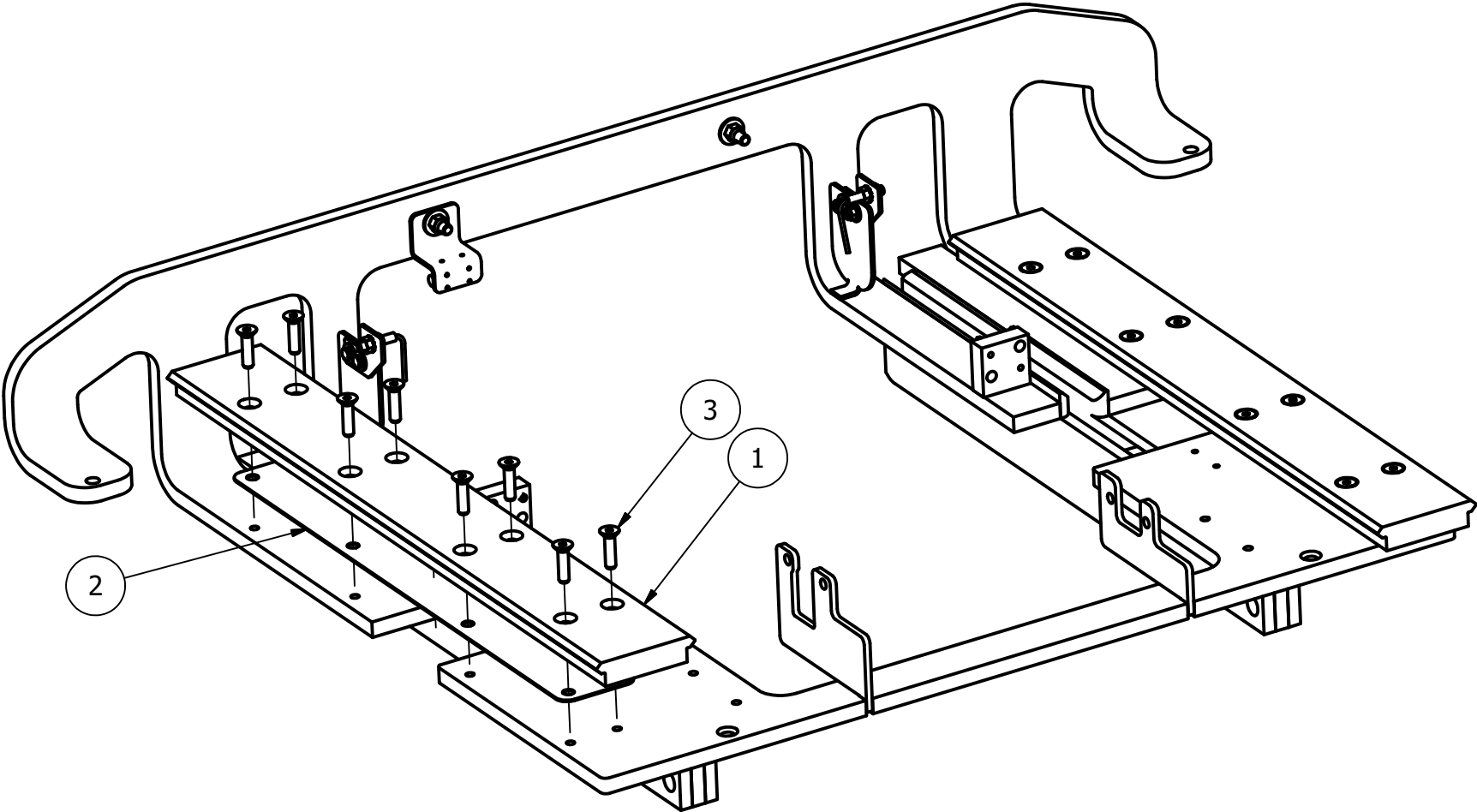


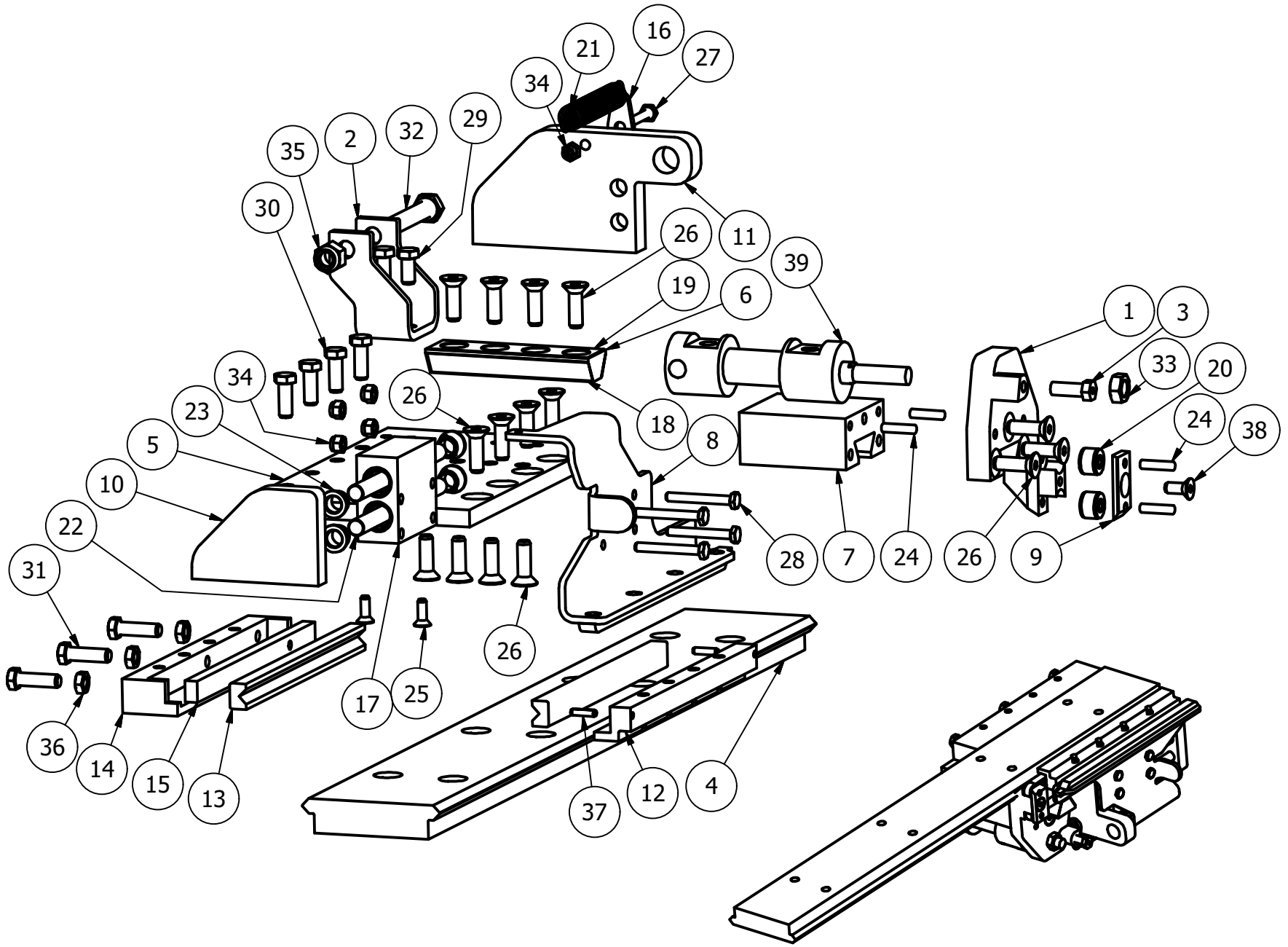
Red Handle And Strap Aliner Assembly				Red Handle And Strap Aliner Assembly			
ITEM	QT	PART NUMBER	DESCRIPTION	ITEM	QT	PART NUMBER	DESCRIPTION
1	1	1-G-0028	Zinc Plated Bander Aligner	10	2	1-Z-0009	Flat Head Socket Cap Screw, 0.25"-20 UNC x 0.75"
2	1	1-G-0121	Red Handle Plate - Right	11	2	1-Z-0020	Hex Cap Screw, 0.25" - 20 UNC x 1.5"
3	1	1-G-0122	Reed Bracket -Fetch Retract-Right	12	2	1-Z-0027	Hex Cap Screw, 0.375" - 16 UNC x 0.75"
4	1	1-G-0123	Anti-Rotate Stop for Red Handle	13	1	1-Z-0058	Hex Jam Nut .3125"-18 UNC
5	2	1-Y-0205	Brass Nut, .3125-18 UNC	14	2	1-Z-0075	Nylon Lock Nut, 0.25" - 20 UNC
6	1	1-Y-0213	Reed Switch 5' Leads	15	4	1-Z-0180	Washer, Flat Normal 0.25"
7	1	1-Y-0685	Clamp Model 6004 Red Handle	16	2	1-Z-0223	Washer, Star external tooth, 5/16"
8	1	1-Y-0685b	Red Handle Nut .75" UNC				
9	1	1-Y-0704	Gripper, Adjustable ..3125"-18				





Carrage Rail Assembly			
ITEM	QT	PART NUMBER	DESCRIPTION
1	2	1-G-0096	TRACK, CARRAIGE
2	2	1-G-0130	Shim, 0.0598 (16ga) Track, Carraige
3	18	1-Z-0012	Flat Head Socket Cap Screw, .375"-18 UNC X 1.5

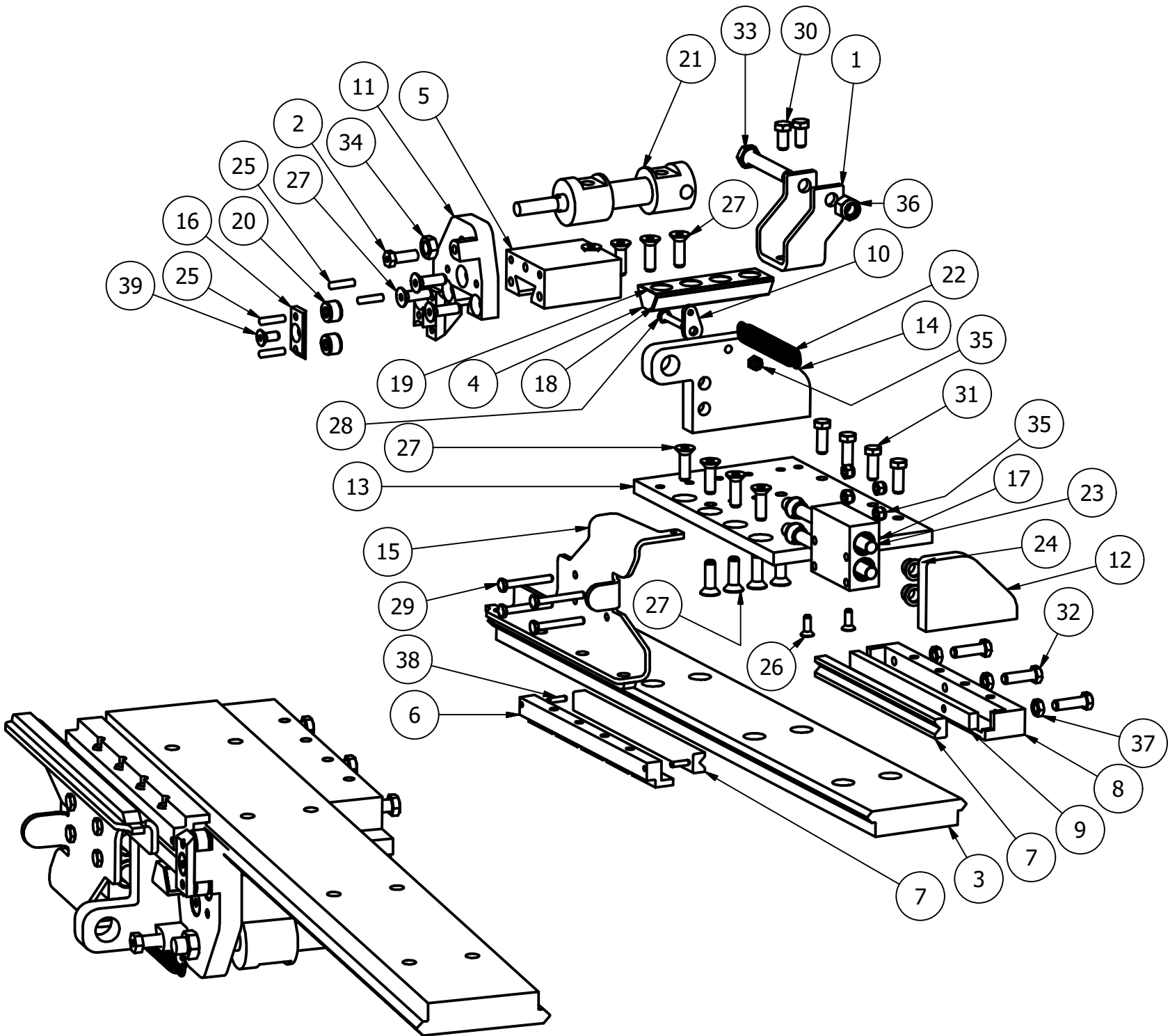






Carriage Assembly - Left				Carriage Assembly - Left			
ITEM	QTY	PART NUMBER	DESCRIPTION	ITEM	QTY	PART NUMBER	DESCRIPTION
1	1	1-G-0090	Fetcher - Left	22	2	1-Y-0687	Undercarriage - Shaft Guide
2	1	1-G-0091	Fetcher Swing Cylinder Mount	23	4	1-Y-0688	Undercarriage, Flange Bearing Polymer
3	1	1-G-0092	Plastic, HCS 3/8"-16 X 1", w/ hole in head	24	4	1-Z-0005	Dowel Pin, 0.25" Dia x 1"
4	1	1-G-0096	TRACK, CARRAIGE	25	2	1-Z-0009	Flat Head Socket Cap Screw, 0.25"-20 UNC x 0.75"
5	1	1-G-0099	Carriage Main Plate - Left				
* 6	1	1-G-0131	Dovetail Male - Fetcher Swing	26	15	1-Z-0011	Flat Head Socket Cap Screw, 0.375" - 16 UNC x 1.25", GRD 8
7	1	1-G-0101	Dovetail Female - Fetcher Swing				
8	1	1-G-0102	Plate on Carriage Skid Plate-Left	27	1	1-Z-0020	Hex Cap Screw, 0.25" - 20 UNC x 1.5"
9	1	1-G-0103	Fetcher End Plate - Left				
10	1	1-G-0104	Undercarriage Slider Endstop	28	4	1-Z-0021	Hex Cap Screw, 0.25" - 20 UNC X 2"
11	1	1-G-0105	Cylinder Holder for Carriage-Left	29	2	1-Z-0027	Hex Cap Screw, 0.375" - 16 UNC x 0.75"
12	1	1-G-0106	Carriage Wear holder - Stationary	30	4	1-Z-0028	Hex Cap Screw, .375"-16 UNC X 1"
13	1	1-G-0107	UHMW Wear Strip - Carriage				
14	1	1-G-0108	Carriage Wear Holder - Adjust	31	3	1-Z-0029	Hex Cap Screw, .375"-16 UNC X 1.25"
15	1	1-G-0109	Carriage Wear Push Plate				
16	1	1-G-0113	Carriage - Spring Attachment	32	1	1-Z-0046	Hex Cap Screw, 0.5" - 13 UNC X 3", GRD 5
17	1	1-G-0124	Undercarriage Bearing Holder				
* 18	2	1-G-0127	Dovetail Side Lube - Fetcher (11/16" X 4-15/16") Discontinued	33	1	1-Z-0059	Nut, Hex Jam 0.5" - 20 UNF
				34	5	1-Z-0075	Nylon Lock Nut, 0.25" - 20 UNC
				35	1	1-Z-0078	Nylon Lock Nut, 0.5" - 13 UNC
* 19	1	1-G-0128-002	Dovetail Top Lube - Fetcher (1-5/16" X 4-15/16") Discontinued	36	3	1-Z-0257	Nut, Hex Jam .375"-16 UNC, 7/32
				37	2	1-Z-0302	Spring Pin 0.1875" x 0.75" Long
				38	1	1-Z-0303	Flat Head Socket Cap Screw, 0.3125" - 18 UNC x .75"
20	2	1-M-0079	ROLLER FOR STRAPING				
21	1	1-Y-0156	Spring, 11/16" OD x .072 wire dia, 5" long, extension	39	1	1-Y-0082	Piston 0.75" , Rod 0.625", Stroke 1.375"

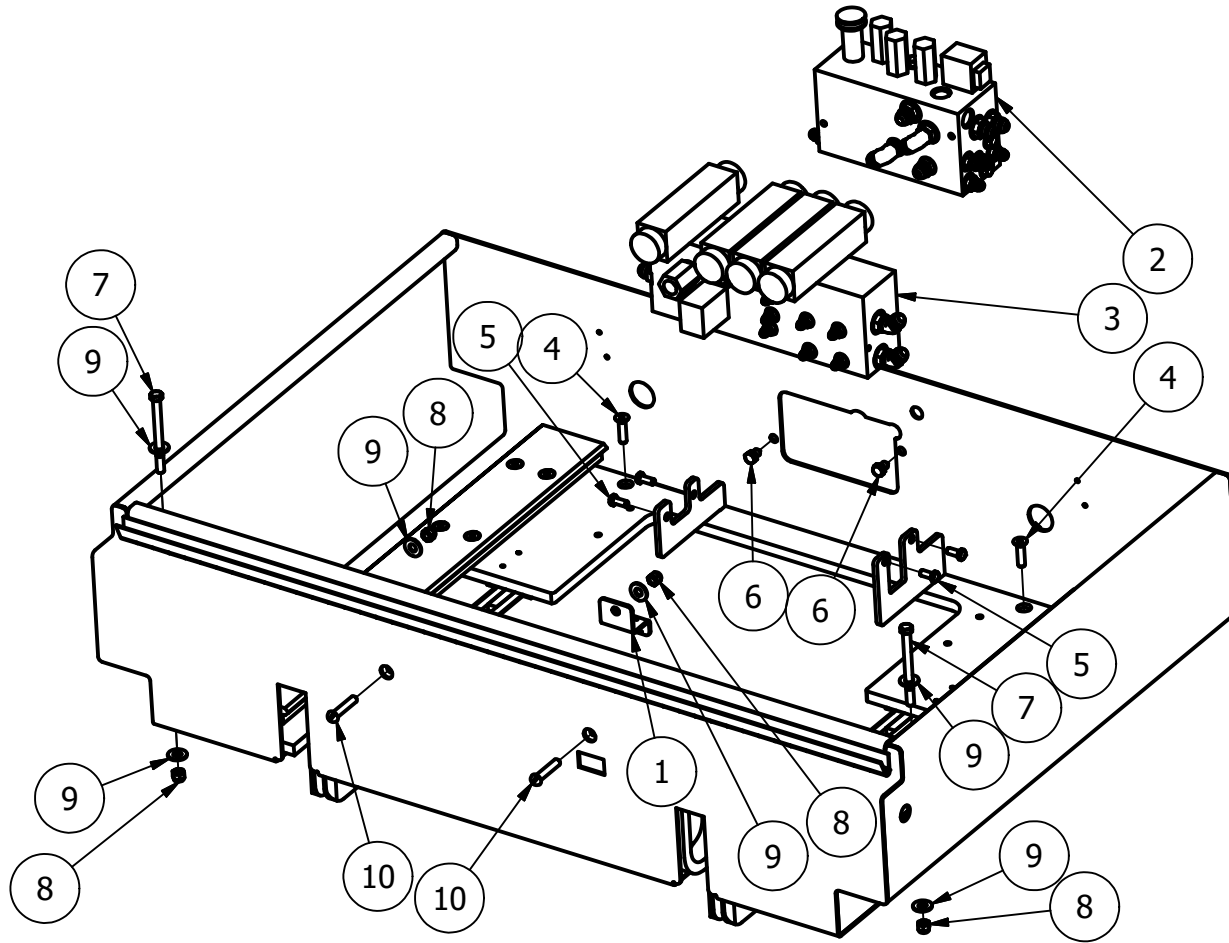
*As of update 15-001 items 18 and 19 are not longer used and item 6 changed from 1-G-0100 to 1-G-0131.





Carriage Assembly - Right				Carriage Assembly - Right			
ITEM	QTY	PART NUMBER	DESCRIPTION	ITEM	QTY	PART NUMBER	DESCRIPTION
1	1	1-G-0091	Fetcher Swing Cylinder Mount	23	2	1-Y-0687	Undercarriage - Shaft Guide
2	1	1-G-0092	Plastic, HCS 3/8"-16 X 1", w/ hole in head	24	4	1-Y-0688	Undercarriage, Flange Bearing Polymer
3	1	1-G-0096	TRACK, CARRAIGE	25	4	1-Z-0005	Dowel Pin, 0.25" Dia x 1"
* 4	1	1-G-0131	Dovetail Male - Fetcher Swing	26	2	1-Z-0009	Flat Head Socket Cap Screw, 0.25"-20 UNC x 0.75"
5	1	1-G-0101	Dovetail Female - Fetcher Swing				
6	1	1-G-0106	Carriage Wear holder - Stationary	27	15	1-Z-0011	Flat Head Socket Cap Screw, 0.375"-16 UNC x 1.25"
7	2	1-G-0107	UHMW Wear Strip - Carriage				
8	1	1-G-0108	Carriage Wear Holder - Adjust	28	1	1-Z-0020	Hex Cap Screw, 0.25" - 20 UNC x 1.5"
9	1	1-G-0109	Carriage Wear Push Plate				
10	1	1-G-0113	Carriage - Spring Attachment	29	4	1-Z-0021	Hex Cap Screw, 0.25" - 20 UNC X 2"
11	1	1-G-0115	Fetcher - Right				
12	1	1-G-0116	Undercarriage Slider Endstop-Right	30	2	1-Z-0027	Hex Cap Screw, 0.375" - 16 UNC x 0.75"
13	1	1-G-0117	Carriage Main Plate - Right	31	4	1-Z-0028	Hex Cap Screw, 0.375"-16 UNC X 1"
14	1	1-G-0118	Cylinder Holder for Carriage -Right				
15	1	1-G-0119	Plate on Carriage Skid Plate-Right	32	3	1-Z-0029	Hex Cap Screw, 0.375"-16 UNC X 1.25"
16	1	1-G-0120	Fetcher End Plate - Right				
17	1	1-G-0124	Undercarriage Bearing Holder	33	1	1-Z-0046	Hex Cap Screw, 0.5" - 13 UNC X 3", GRD 5
* 18	2	1-G-0127	Dovetail Side Lube - Fetcher (11/16" X 4-15/16") Discontinued				
* 19	1	1-G-0128	Dovetail Top Lube - Fetcher (1-5/16" X 4-15/16") Discontinued	34	1	1-Z-0059	Nut, Hex Jam 0.5" - 20 UNF
				35	5	1-Z-0075	Nylon Lock Nut, 0.25" - 20 UNC
				36	1	1-Z-0078	Nylon Lock Nut, 0.5" - 13 UNC
20	2	1-M-0079	ROLLER FOR STRAPING	37	3	1-Z-0257	Nut, Hex Jam 0.375"-16 UNC, 7/32 Height
21	1	1-Y-0082	Piston 0.75" , Rod 0.625", Stroke 1.375"				
				38	2	1-Z-0302	Spring Pin 0.1875" x 0.75" Long
22	1	1-Y-0156	Spring, 11/16" OD x .072 wire dia, 5" long, extension	39	1	1-Z-0303	Flat Head Socket Cap Screw, 0.3125" - 18 UNC x .75"

*As of update 15-001 items 18 and 19 are not longer used and item 6 changed from 1-G-0100 to 1-G-0131.



Banding Box Assembly to Unit

ITEM	QTY	PART NUMBER	DESCRIPTION
1	1	1-G-0063	Photo 3 Mount
2	1	1-Y-0126	Manifold Back Gate
3	1	1-Y-0127	Manifold Banding Box
4	2	1-Z-0012	Flat Head Socket Cap Screw, 0.375" - 16 UNC x 1.5"
5	4	1-Z-0022	Hex Cap Screw .3125"-18 X .75"
6	2	1-Z-0026	Hex Cap Screw .375"-24 X .5"
7	2	1-Z-0035	Hex Cap Screw .375-16 X 4.5"
8	4	1-Z-0077	Nylon Lock Nut, 0.375" - 16 UNC
9	6	1-Z-0116	Washer, Flat Normal .375"
10	2	1-Z-0256	Slotted Round Head Cap Screw .375" X 2"

BALE BAND-IT PARTS

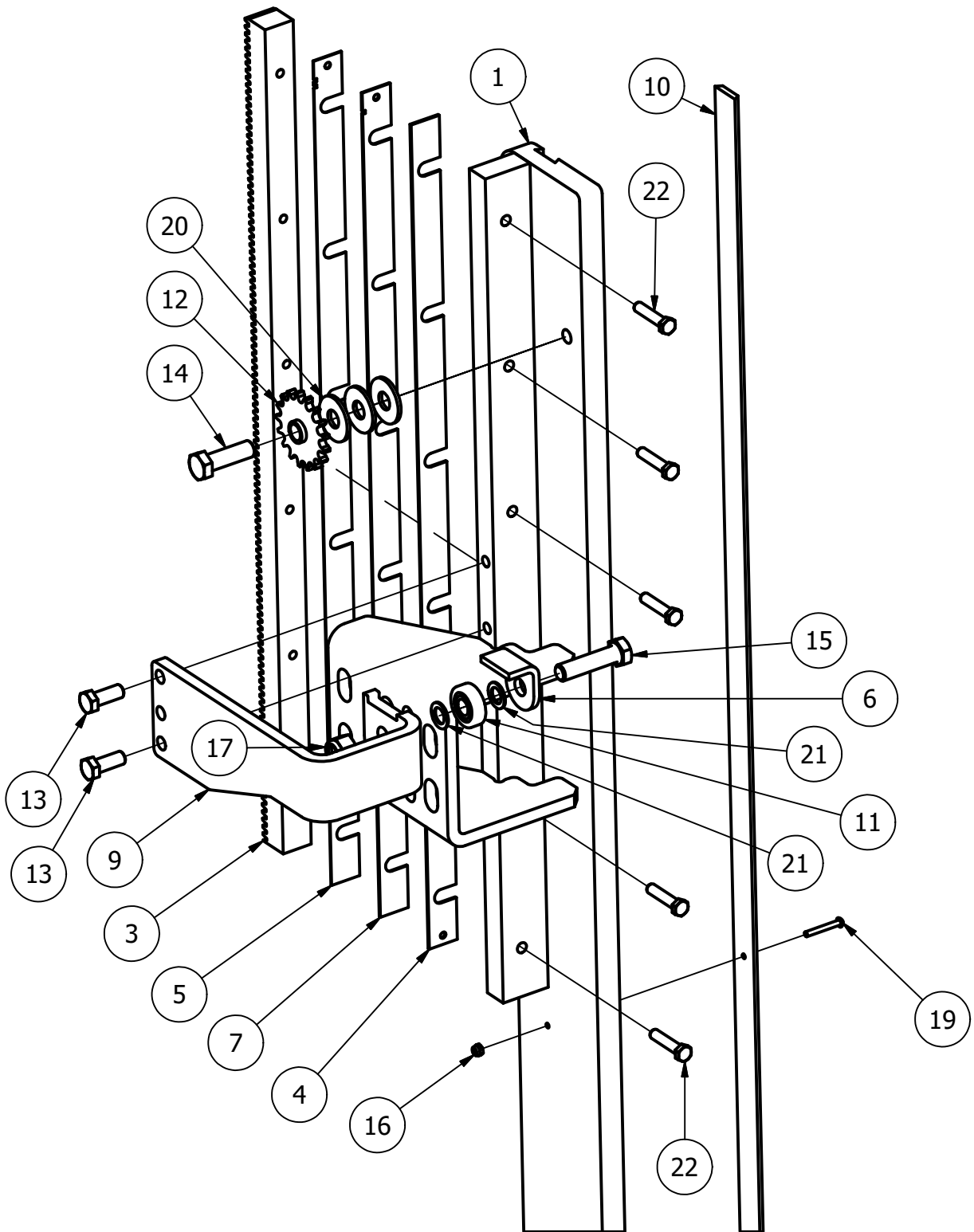
CHROME RAIL SECTION 120

TABLE OF CONTENTS

<u>NAME</u>	<u>PAGE #</u>
CHROME RAIL ASSEMBLY - RIGHT	1 - 2
CHROME RAIL ASSEMBLY - LEFT	3 - 4
CHROME RAIL ASSEMBLY TO MAIN UNIT	5

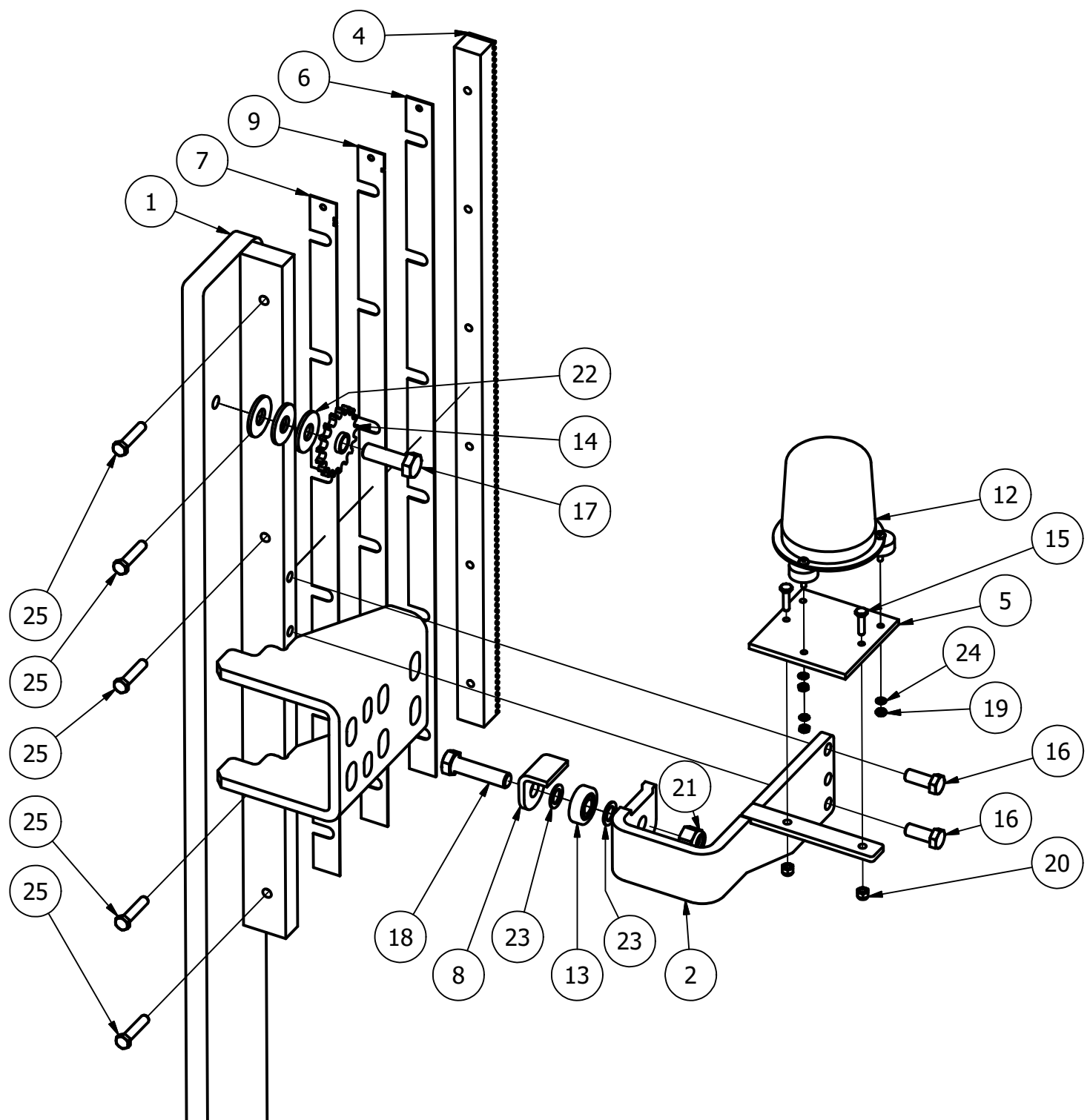


120



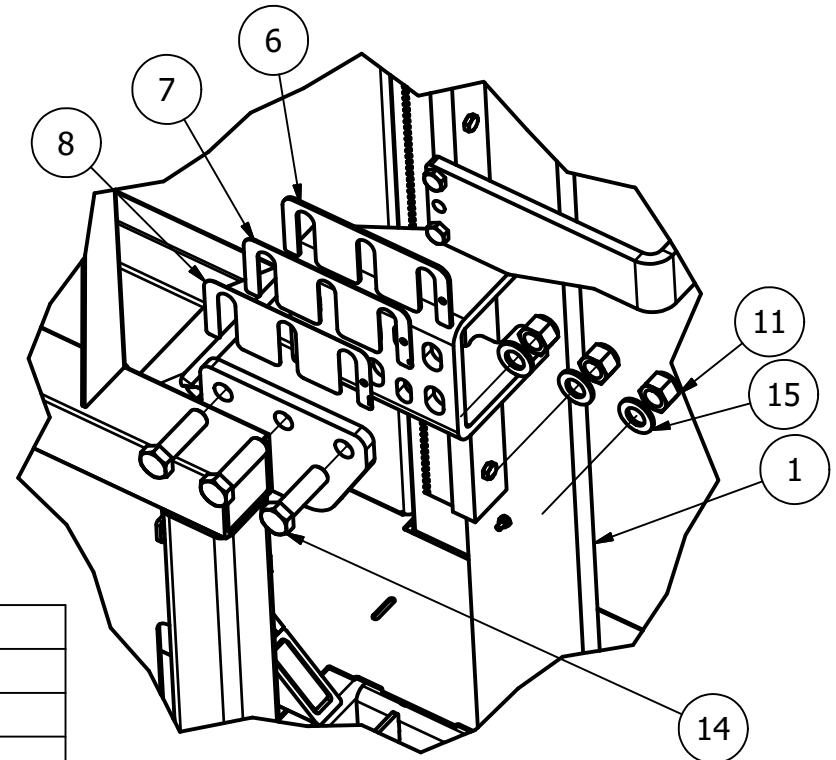


Chrome Rail Assembly - Right			
ITEM	QTY	PART NUMBER	DESCRIPTION
1	1	1-M-0056	Chrome Rail W/ Sensor Bar Dove Tail
2	1	1-M-0058	Mount for Rack on Chrome Rail
3	1	1-M-0071	Rack
4	1	1-M-0146	Rack Shim, 14 ga (.074")
5	1	1-M-0147	Rack Shim, 20 ga (.0375")
6	1	1-M-0195	UpperBearingBoltOnBracket
7	1	1-M-0198	Rack Shim, 16 ga (.0598")
8	1	1-M-0205	Upper Chrome Rail Mount Bracket
9	1	1-M-0320	Plate Arm Bolts to Chrome Rail-Right
10	1	1-X-ASSEMBLY-001	Sensor Bar, Hall Effect - Epoxy
11	1	1-Y-0054	Bearing, .625"ID 1.5748"OD x 0.4724" Thick
12	1	1-Y-0113	Sprocket, idler #40, 17 Teeth, .625" ID
13	2	1-Z-0040	Hex Cap Screw .5"-13 X 1.25"
14	1	1-Z-0050	Hex Cap Screw, 0.625" - 11 UNC x 2"
15	1	1-Z-0051	Hex Cap Screw, 0.625" - 11 UNC x 2.5"
16	1	1-Z-0074	Nylon Lock Nut, #10 - 24 UNC
17	1	1-Z-0079	Nylon Lock Nut, 0.625" - 11 UNC
19	1	1-Z-0090	Slotted Round Head Cap Screw, #10 - 24 UNC X 1.5"
20	3	1-Z-0119	Washer, Flat Normal 0.625"
21	2	1-Z-0124	Washer, Machine .625" ID X 1" OD X 0.0625"
22	5	1-Z-0149	Hex Cap Screw, 0.375" - 16 UNC x 1.75"



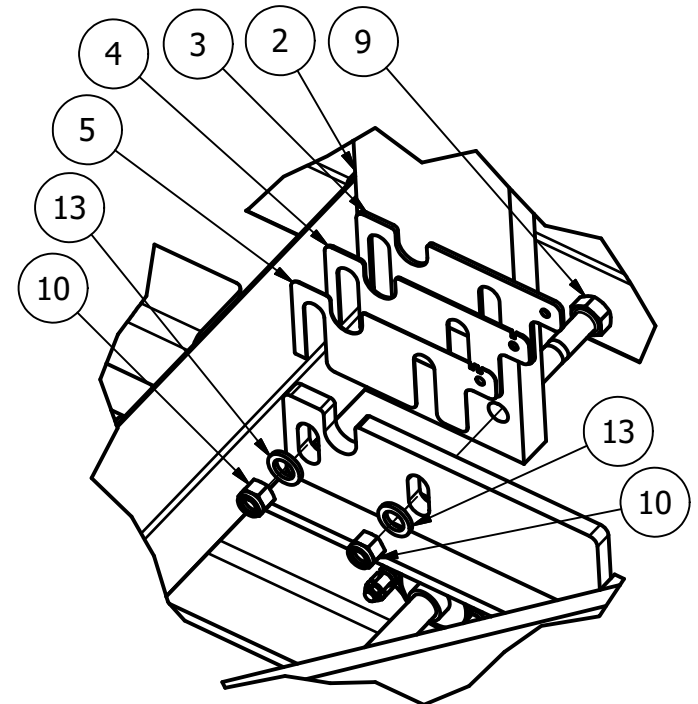


Chrome Rail Assembly - Left			
ITEM	QTY	PART NUMBER	DESCRIPTION
1	1	1-M-0000S	Nickel Rail Left Weldment
2	1	1-M-0000AT	Bearing Arm, Bolts To Chrome Rail And Holds Light/ Horn, Left Side
4	1	1-M-0071	Rack
5	1	1-M-0115	Plastic Mount for Light W/Buzzer
6	1	1-M-0146	Rack Shim, 14 ga (.074")
7	1	1-M-0147	Rack Shim, 20 ga (.0375")
8	1	1-M-0195	UpperBearingBoltOnBracket
9	1	1-M-0198	Rack Shim, 16 ga (.0598")
12	1	1-X-ASSEMBLY-002	Light & Horn
13	1	1-Y-0054	Bearing, .625"ID 1.5748"OD x 0.4724"
14	1	1-Y-0113	Sprocket, idler #40, 17 Teeth, .625" ID
15	2	1-Z-0018	Hex Cap Screw, 0.25" - 20 UNC X 1"
16	2	1-Z-0040	Hex Cap Screw .5"-13 X 1.25"
17	1	1-Z-0050	Hex Cap Screw, 0.625" - 11 UNC x 2"
18	1	1-Z-0051	Hex Cap Screw, 0.625" - 11 UNC x 2.5"
19	3	1-Z-0069	Nut, Hex Regular #10 - 24 UNC
20	2	1-Z-0075	Nylon Lock Nut, 0.25" - 20 UNC
21	1	1-Z-0079	Nylon Lock Nut, 0.625" - 11 UNC
22	3	1-Z-0119	Washer, Flat Normal 0.625"
23	2	1-Z-0124	Washer, Machine .625" ID X 1" OD X 0.0625"
24	3	1-Z-0130	Washer, Star external tooth, #10
25	5	1-Z-0149	Hex Cap Screw, 0.375" - 16 UNC x 1.75"



Chrome Rail Assembly to Main Unit			
ITEM	QT	PART NUMBER	DESCRIPTION
1	1	1-M-0056	Chrome Rail W/ Sensor Bar Dove Tail
2	1	1-M-0057	Chrome Rail No Dove Tail
3	2	1-M-0239	Lower Chrome Rail Shim
4	1	1-M-0240	Lower Chrome Rail Shim (0.0598" 16 ga)
5	1	1-M-0241	Lower Chrome Rail Shim (0.0239" 24 ga)
6	2	1-M-0243	Upper Chrome Rail Shim
7	1	1-M-0244	Upper Chrome Rail Shim (0.0598" 16 ga)
8	1	1-M-0245	Upper Chrome Rail Shim (0.0239" 24 ga)
9	4	1-Z-0052	Hex Cap Screw, 0.625" - 11 UNC x 3"
10	4	1-Z-0079	Nylon Lock Nut, 0.625" - 11 UNC
11	6	1-Z-0080	Nylon Lock Nut, 0.75" - 10 UNC
12	1	1-Z-0090	Slotted Round Head Cap Screw, #10 - 24 UNC X 1.5"
13	4	1-Z-0126	Washer, Machine 0.625" ID x 1" OD x 0.125"
14	6	1-Z-0311	Hex Cap Screw, 0.75" - 10 UNC x 2.5"
15	6	1-Z-0312	Washer, Flat Normal 0.75"

Note: Quantities shown are for one side.
The left side has the same hardware for this assembly

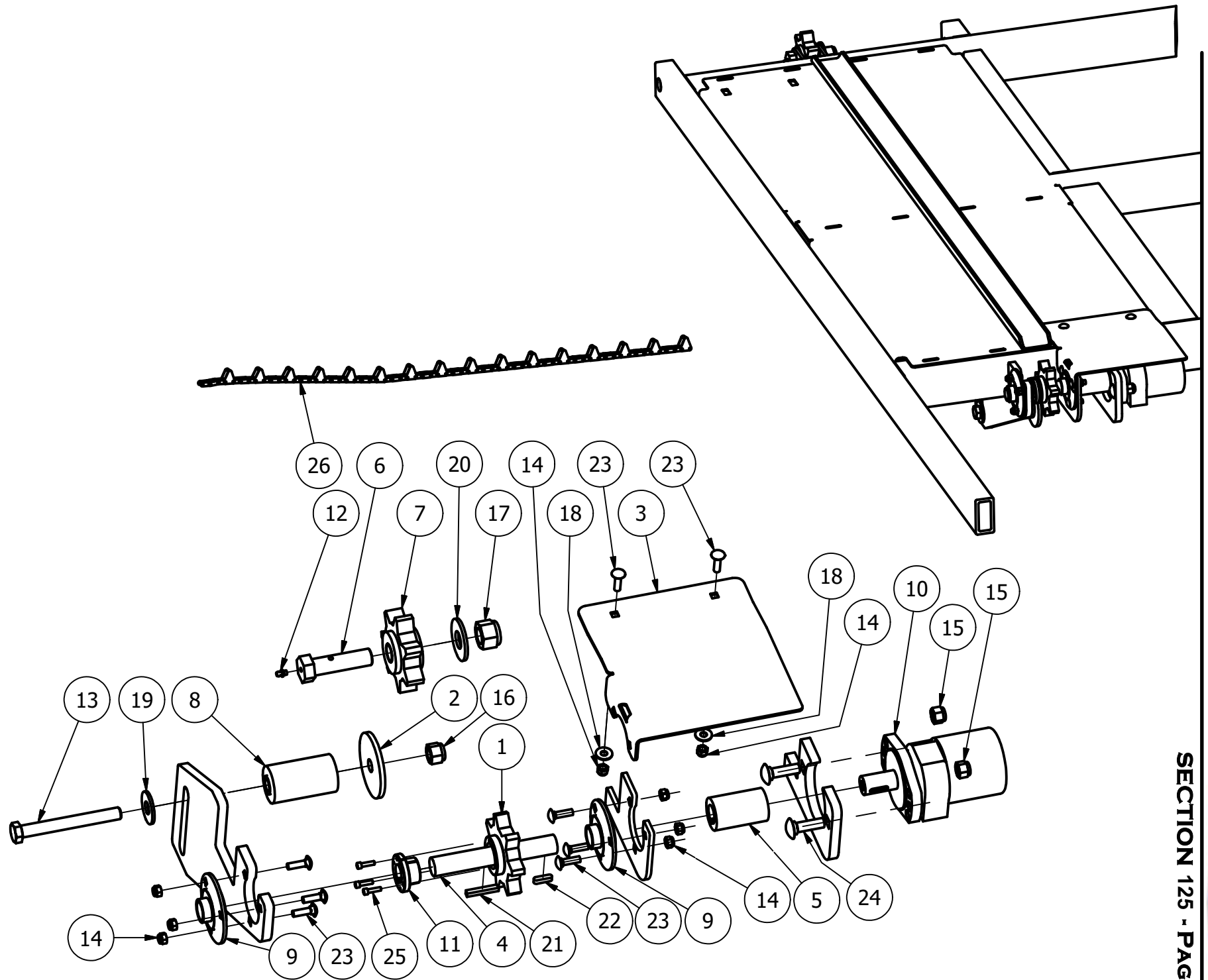


BALE BAND-IT PARTS

ELEVATOR SECTION 125

TABLE OF CONTENTS

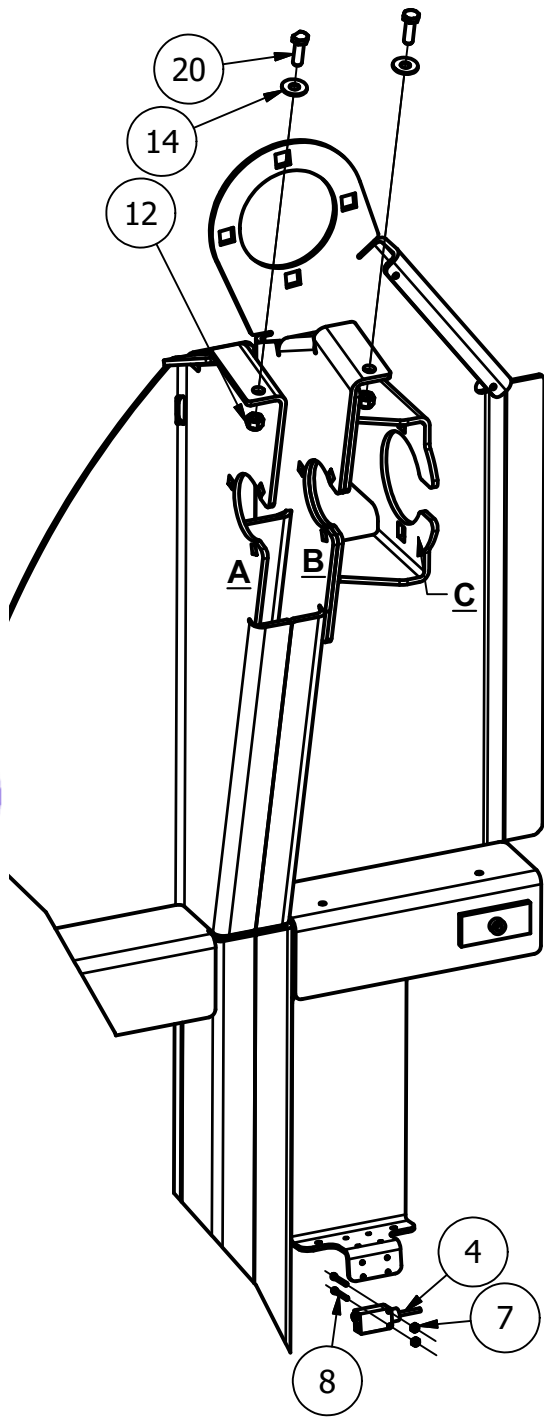
<u>NAME</u>	<u>PAGE #</u>
HORIZONTAL ELEVATOR ASSEMBLY	1 - 2
VERTICAL ELEVATOR DRIVE ASSEMBLY	3
VERTICAL ELEVATOR IDLER SPROCKET ASSEMBLY	4



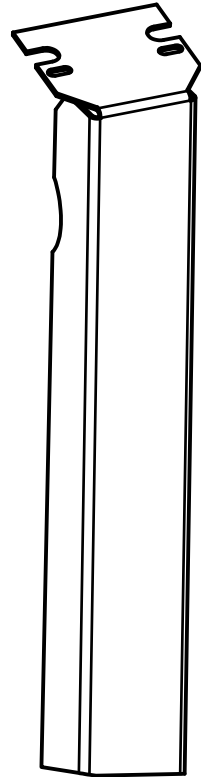
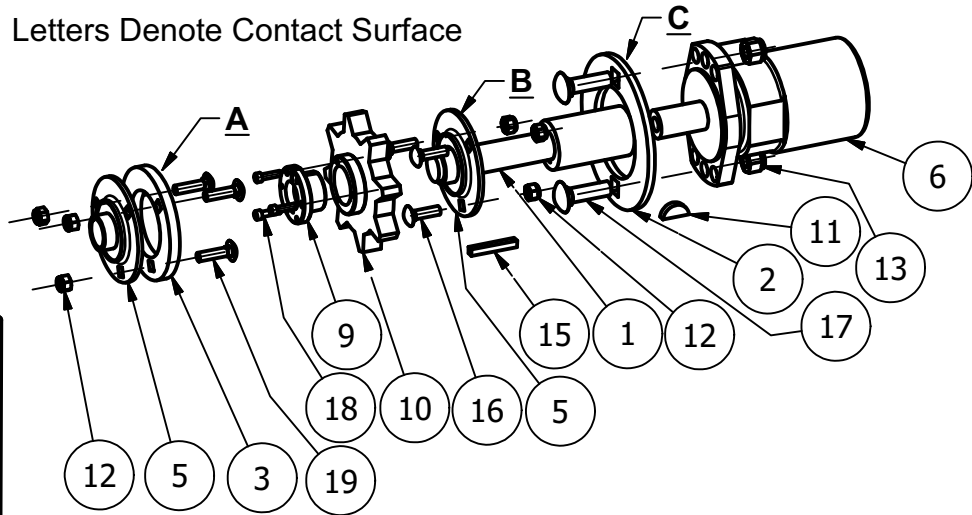
Important Note: Direction of carriage bolts need to be pointing away from 1-M-0000AF (Balloon1)

Horizontal Elevator Assembly			
ITEM	QT	PART NUMBER	DESCRIPTION
1	1	1-M-0000AF	7 Tooth Welda Sprocket for detachable chain
2	1	1-M-0203	Large washer for Horiz Elev Chain
3	1	1-M-0204	Guard - Horiz Elev Motor
4	1	1-M-0215	SHAFT FOR HOR ELEVATOR MOTOR
5	1	1-M-0223	Coupler for Elevator Motor
6	1	1-M-0224	HCS, .875"-9 UNC X 3.25
7	1	1-M-Assembly-046	Elevator Idler Sprocket
8	1	1-M-Assembly-051	Plastic Chain Tightener for Horizontal Elevator Chain
9	2	1-Y-0058	Bearing, w/ 3 hole flange, 1"ID
10	1	1-Y-0111	Motor, Hydraulic 06.0 DISP 1" KEYED SHAFT "A" MOUNT SAE # 10 PORTS
11	1	1-Y-0536	QD Bushing JA 1" ID
12	1	1-Z-0015	1/4 UNF ST Zerk
13	1	1-Z-0054	Hex Cap Screw, 0.625" - 11 UNC x 5.5"
14	8	1-Z-0076	Nylon Lock Nut, 0.3125" - 18 UNC
15	2	1-Z-0078	Nylon Lock Nut, 0.5" - 13
16	1	1-Z-0079	Nylon Lock Nut, 0.625" - 11
17	1	1-Z-0081	Nylon Lock Nut, 0.875" - 9 UNC
18	2	1-Z-0115	Washer, Flat Normal 0.3125"
19	1	1-Z-0119	Washer, Flat Normal 0.625"
20	1	1-Z-0120	Washer, Flat Normal 0.875"
21	1	1-Z-0203	Keystock, 0.25" x 2" Long
22	1	1-Z-0232	Key, Machine; Rounded Ends; 1/4" x 1"
23	8	1-Z-0270	Carriage Bolt, 5/16"-18 UNC x 1"
24	2	1-Z-0290	Carriage Bolt, 1/2"-13 UNC x 1.75"
25	3	1-Z-0293	Socket Head Cap Screw, #10-24 UNC X 0.75"
26	1	1-Y-0693	Horizontal Elevator Roller Chain

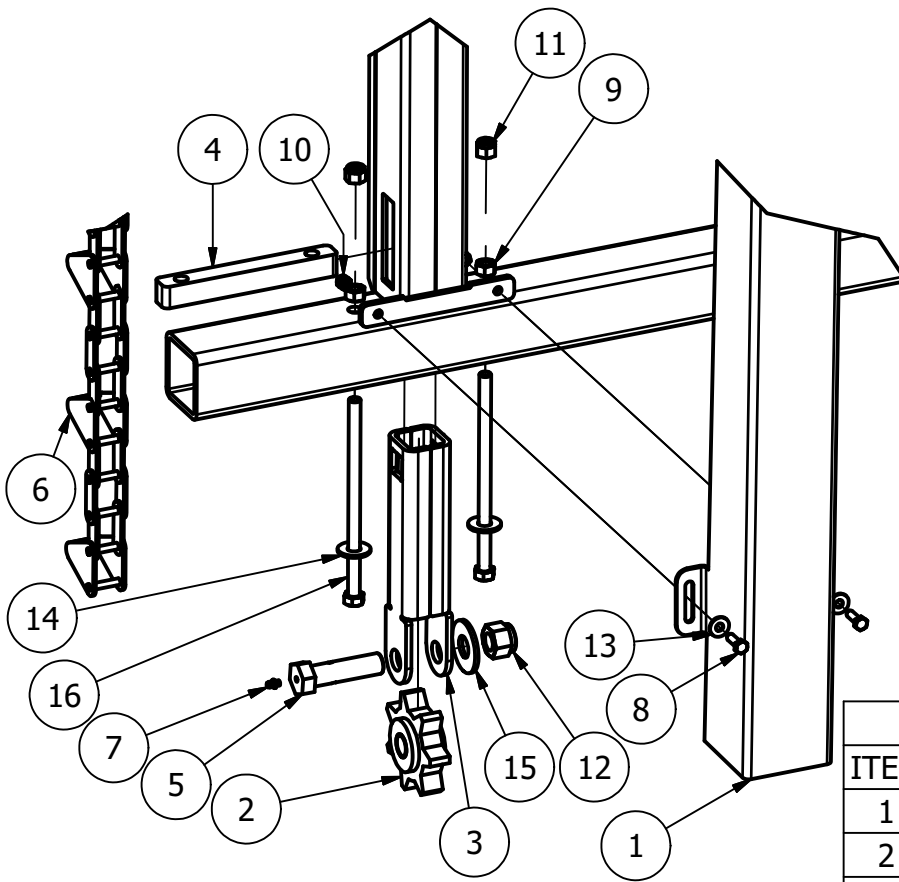




Letters Denote Contact Surface



Vertical Elevator Drive Assembly			
ITEM	QT	PART NUMBER	DESCRIPTION
1	1	1-M-0214	Shaft & Coupler for Vert Elevator Motor
2	1	1-M-0221	Motor Mount Spacer
3	1	1-M-0222	Bearing Spacer
4	1	1-X-0168	PhotoEye, Long range proximity
5	2	1-Y-0058	Bearing, w/ 3 hole flange, 1"ID
6	1	1-Y-0111	Motor, Hydraulic
7	2	1-Y-0196	Nut, machine nylon 4-40
8	2	1-Y-0197	Machine Screw, Nylon 4-40 thread x 1"
9	1	1-Y-0536	QD Bushing JA 1" ID
10	1	1-Y-0678	Welda Sprocket for detachable chain
11	1	1-Z-0067	Key, Woodruff 0.25" x 1"
12	8	1-Z-0076	Nylon Lock Nut, 0.3125" - 18 UNC
13	2	1-Z-0078	Nylon Lock Nut, 0.5" - 13 UNC
14	4	1-Z-0115	Washer, Flat Normal 0.3125"
15	1	1-Z-0203	Keystock, 0.25" x 2" Long
16	3	1-Z-0270	Carriage Bolt, 5/16"-18 UNC x 1"
17	2	1-Z-0290	Carriage Bolt, 1/2"-13 UNC x 1.75"
18	3	1-Z-0293	Socket Head Cap Screw, #6 - 32 UNC x 0.625"
19	3	1-Z-0310	Carriage Bolt, 5/16"-18 UNC x 1.25" G5
20	4	1-Z-0023	Hex Cap Screw, 0.3125" - 18 UNC X 1"



Tighten (11) down evenly to adjust chain tension, before jamming (9) against (4) for field use.

Vertical Elevator Idler Sprocket Assembly			
ITEM	QTY	PART NUMBER	DESCRIPTION
1	1	1-M-0018	Vertical Elevator Chain Guard
2	1	1-M-0023	Elevator Idler Sprocket
3	2	1-M-0000AL	Vertical Elevator Tension Tube
4	1	1-M-0212	Vertical Idler - Cross Bar
5	1	1-M-0224	HCS, .875"-9 UNC X 3.25 W/ GREASE
6	1	1-Y-0485	Vertical Elevator Roller Chain
7	1	1-Z-0015	1/4 UNF ST Zerk
8	4	1-Z-0023	Hex Cap Screw, 0.3125" - 18 UNC X 1"
9	2	1-Z-0072	Nut, Hex Regular 0.5" - 13 UNC
10	10	1-Z-0076	Nylon Lock Nut, 0.3125" - 18 UNC
11	8	1-Z-0078	Nylon Lock Nut, 0.5" - 13 UNC
12	1	1-Z-0081	Nylon Lock Nut, 0.875" - 9 UNC
13	4	1-Z-0115	Washer, Flat Normal 0.3125"
14	2	1-Z-0118	Washer, Flat Normal 0.5"
15	1	1-Z-0120	Washer, Flat Normal 0.875"
16	2	1-Z-0305	Hex Cap Screw, 0.5" - 13 UNC x 9", Full Thread



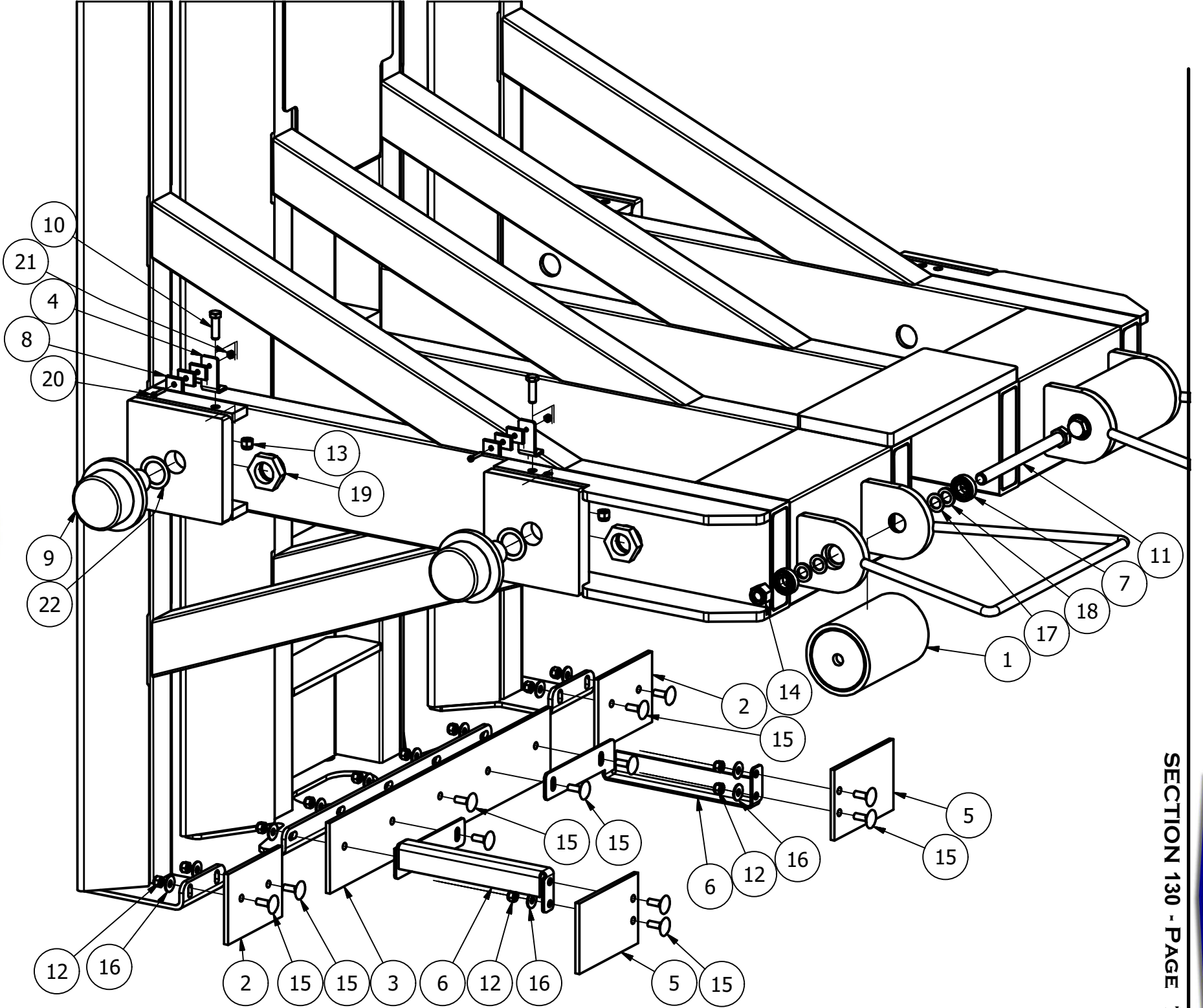
BALE BAND-IT PARTS

HORIZONTAL PLUNGER SECTION 130

130

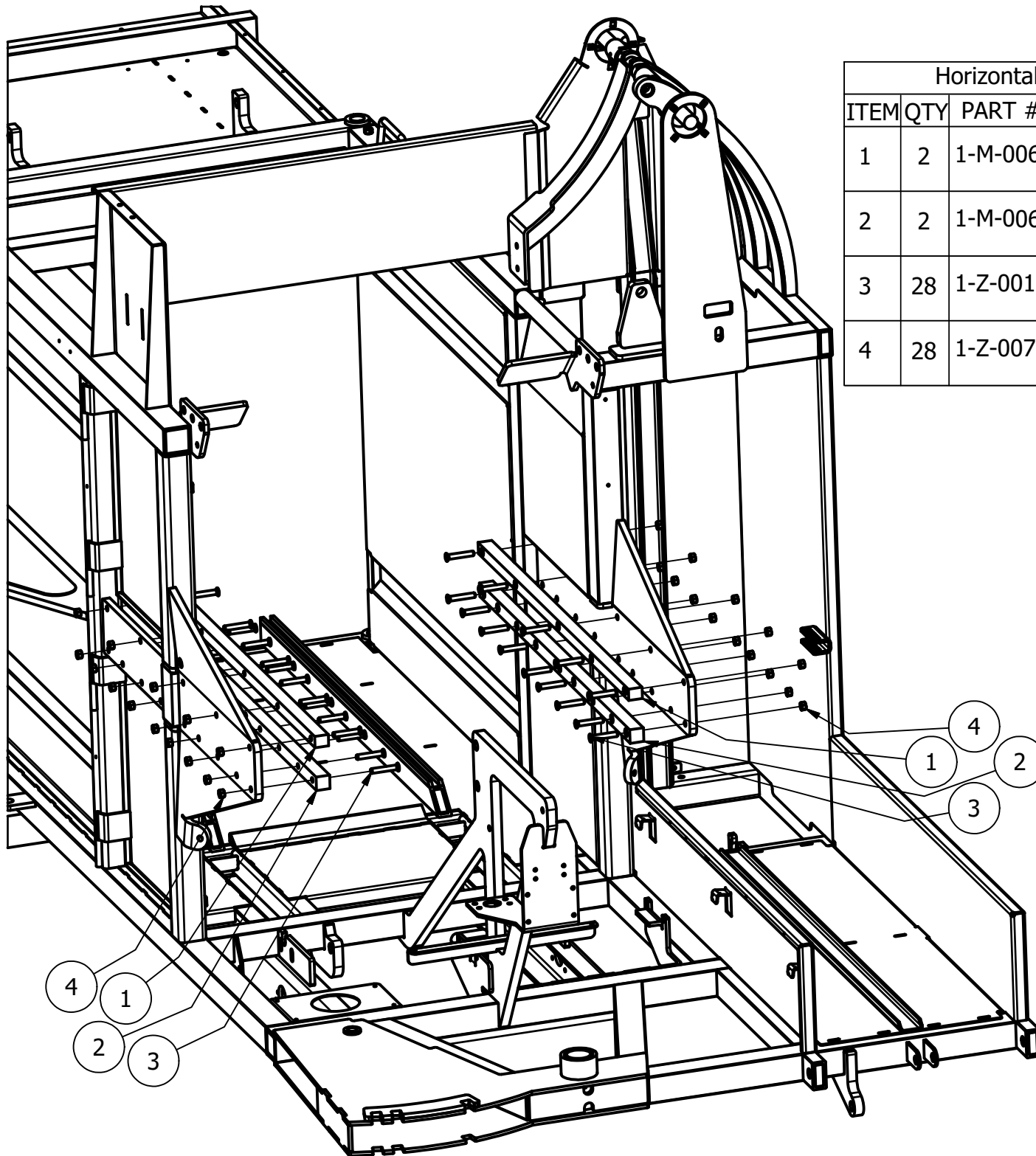
TABLE OF CONTENTS

<u>NAME</u>	<u>PAGE #</u>
HORIZONTAL PLUNGER ASSEMBLY	1 - 2
HORIZONTAL PLUNGER RAIL ASSEMBLY	3
HORIZONTAL PLUNGER MOUNTED IN MAIN UNIT	4

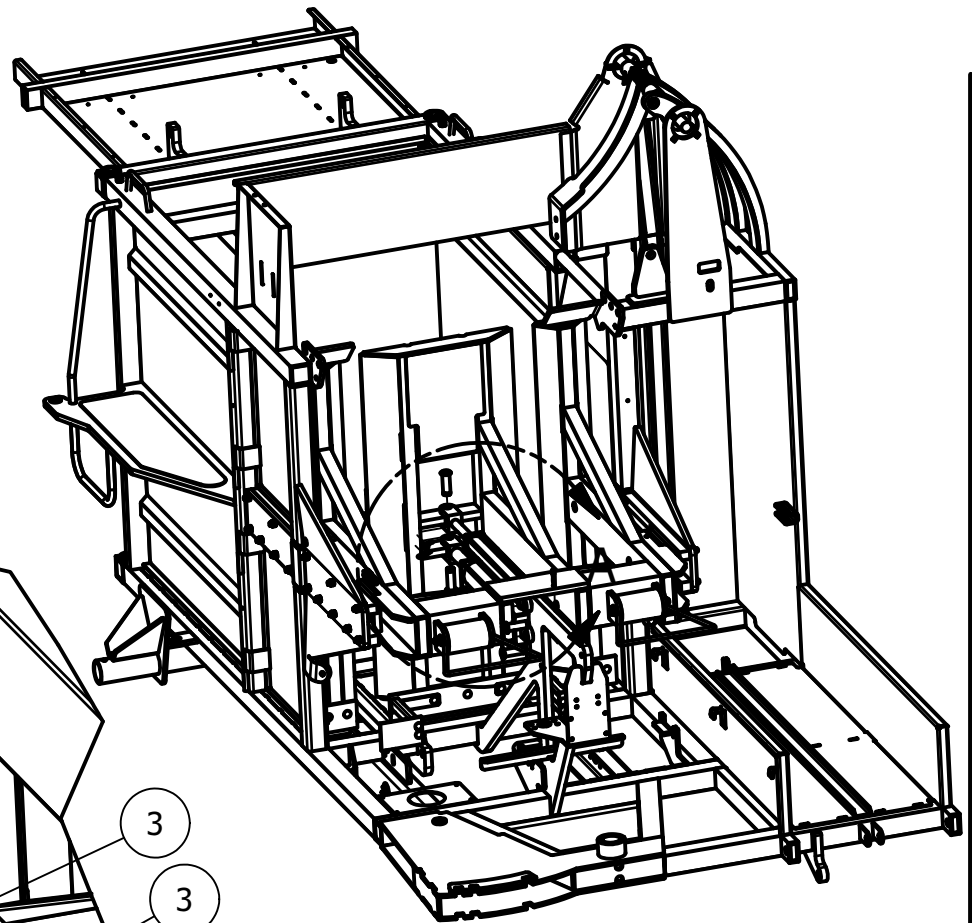
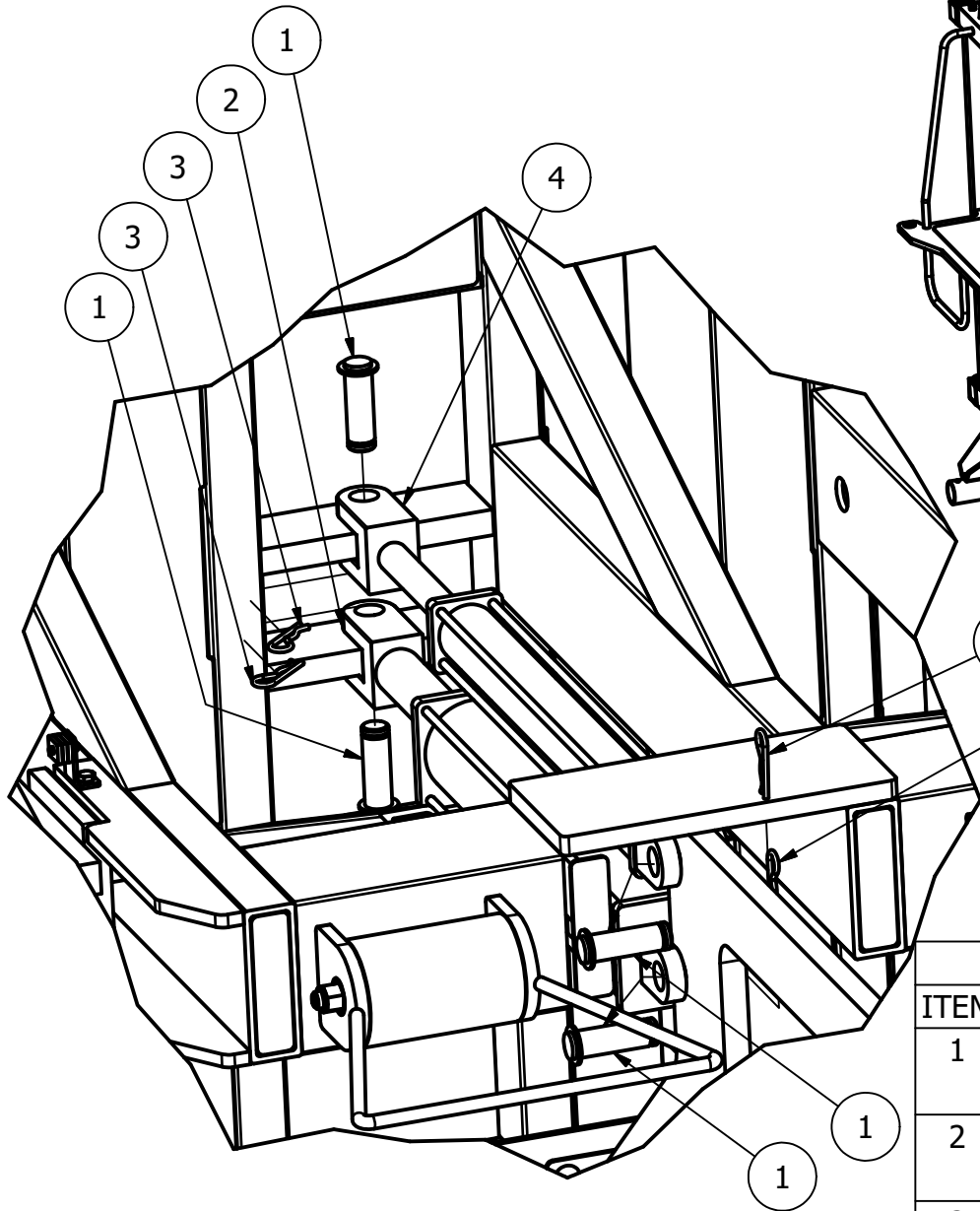




Horizontal Plunger Assembly			
ITEM	QT	PART NUMBER	DESCRIPTION
1	2	1-H-0021	Roller For Strap
2	2	1-M-0011	Rubber Sweep Short
3	1	1-M-0013	Rubber Sweep Long
4	2	1-M-0068	Magnet Mount for Horizontal Plunger
5	2	1-M-0150	Rubber Sweep Extended
6	2	1-M-0172	Extended Hay Sweep
7	4	1-Y-0053	Bearing, .625"ID 1.375"OD 0.38" W
8	6	1-Y-0125	Magnet, 1" x .75" x .1875"
9	4	1-Y-0149	roller, 3 " single flange
10	2	1-Z-0029	Hex Cap Screw, .375"-16 UNC X 1.25"
11	2	1-Z-0055	Hex Cap Screw, 0.625" - 11 UNC x 8", GRD 5
12	13	1-Z-0076	Nylon Lock Nut, 0.3125" - 18 UNC
13	2	1-Z-0078	Nylon Lock Nut, 0.375" - 16 UNC
14	2	1-Z-0079	Nylon Lock Nut, 0.625" - 11 UNC
15	13	1-Z-0112	Step bolt cap screw, 0.3125" - 18 UNC x 1"
16	13	1-Z-0115	Washer, Flat Normal 0.3125"
17	4	1-Z-0124	Washer, Machine .625" ID X 1" OD X 0.0625"
18	4	1-Z-0126	Washer, Machine 0.625" ID x 1" OD x 0.125"
19	4	1-Z-0233	Nylon Lock Jam Nut, 1.25" - 12 UNF
20	2	1-Z-0237	Fillister Head Slotted Machine Screw, 8-32 UNC x 1" long, Zinc Plated
21	2	1-Z-0239	Nylon Lock Jam Nut, #8 - 32, 11/64" Height
22	4	1-Z-0251	Washer, Machine 1.25" ID x 1.75" OD x .062"



Horizontal Plunger Rail Assembly			
ITEM	QTY	PART #	DESCRIPTION
1	2	1-M-0064	Horiz Plung Upper Rail
2	2	1-M-0065	Horiz Plung Lower Rail
3	28	1-Z-0013	Flat Head Socket Cap Screw, 0.5"-13UNCx3"
4	28	1-Z-0072	Nut, Hex Regular 0.5"-13UNC



Horizontal Plunger Mounted in Main Unit			
ITEM	QTY	PART NUMBER	DESCRIPTION
1	4	1-Y-0136	Pin, Cylinder 1"OD x 2.75" Usable with weld on washer end
2	1	1-Y-0731	Horiz Plunger Top 3.5" Bore 1.75" Rod x 20" Stroke
3	4	1-Z-0002	Cotter, Hair Pin 0.178" Wire Dia, Fits 1" Shaft
4	1	1-Y-694	Horiz Plunger Bottom 2" Bore 1.125" Rod x 20" Stroke

BALE BAND-IT PARTS

MISCELLANEOUS SECTION 135

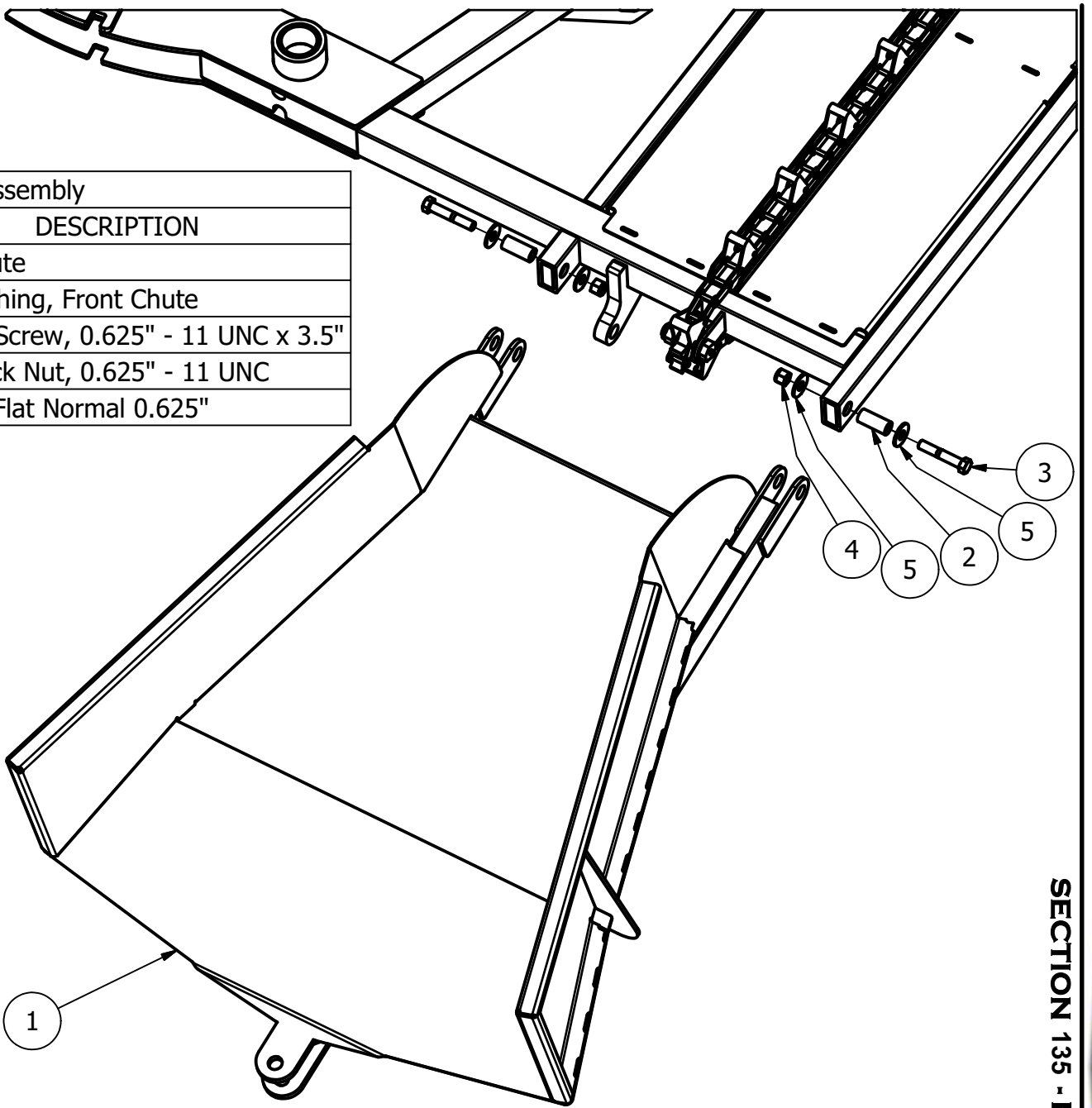
TABLE OF CONTENTS

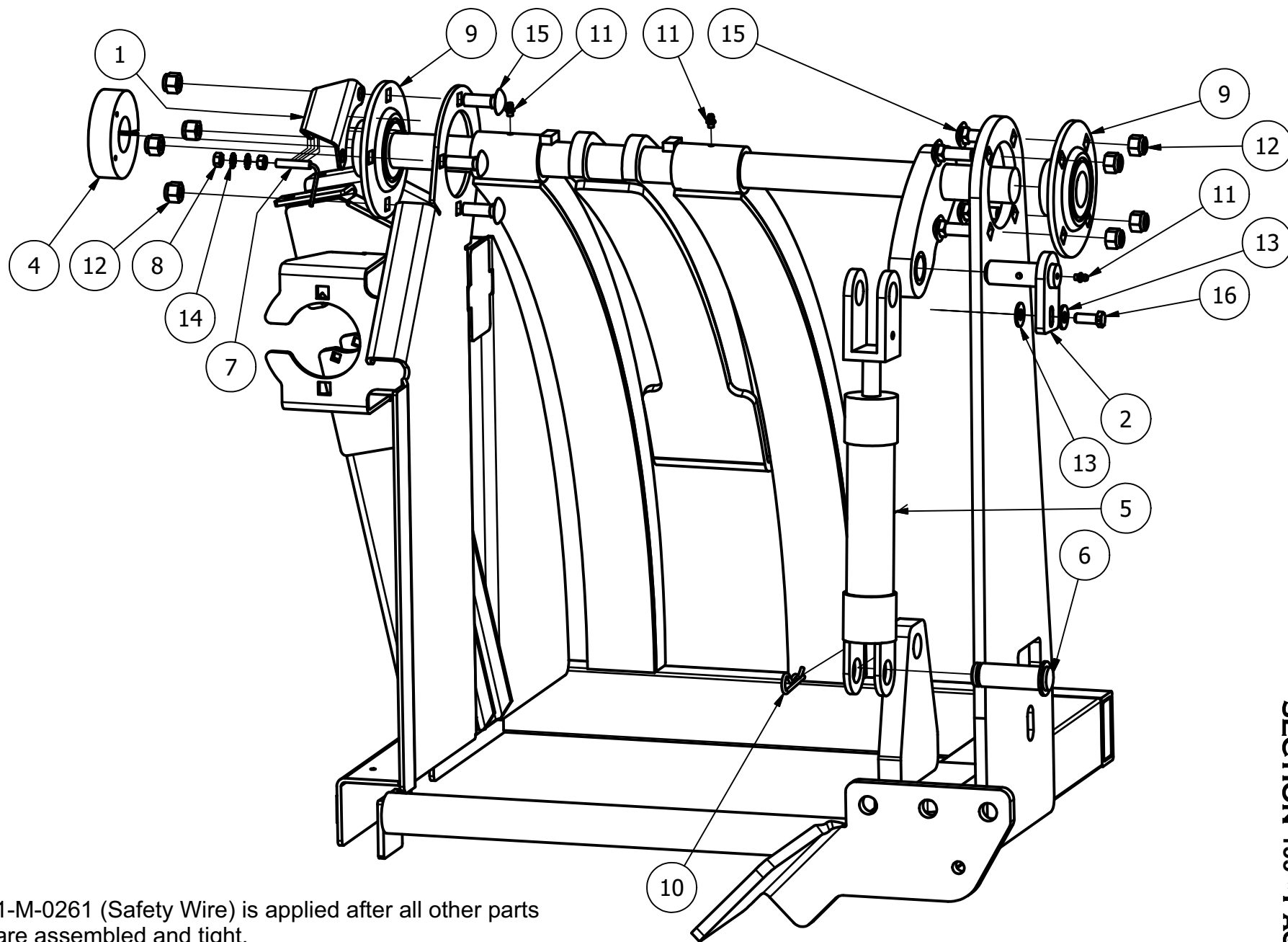
<u>NAME</u>	<u>PAGE #</u>
FRONT CHUTE ASSEMBLY	1
KICKER BEARING ASSEMBLY	2 - 3
RING PIN ASSEMBLY FOR SIDE DOORS	4

135



Front Chute Assembly			
ITEM	QT	PART NUMBER	DESCRIPTION
1	1	1-F-0000A	Front Chute
2	2	1-M-0067	Steel Bushing, Front Chute
3	2	1-Z-0053	Hex Cap Screw, 0.625" - 11 UNC x 3.5"
4	2	1-Z-0079	Nylon Lock Nut, 0.625" - 11 UNC
5	4	1-Z-0119	Washer, Flat Normal 0.625"

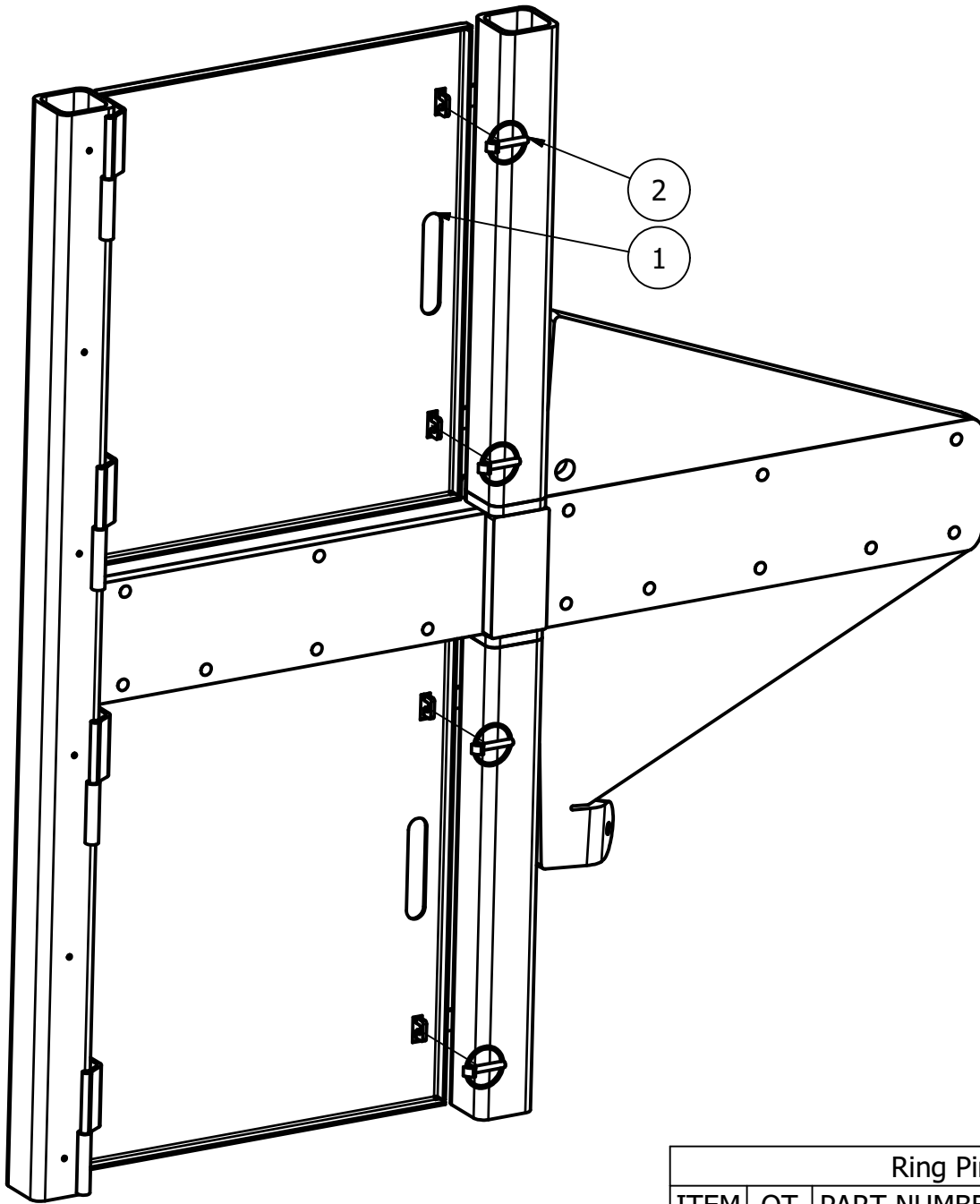




1-M-0261 (Safety Wire) is applied after all other parts are assembled and tight.
Thread safety wire through hole in "16" and tie to "2".
Note washer 13 allows wire between "2" and "5"



Kicker Bearing Assembly			
ITEM	QT	PART NUMBER	DESCRIPTION
1	1	1-B-0078	Kicker Reed Bracket
2	1	1-M-0000AB	Pin weldment for Kicker Cylinder
3	1	1-M-0261	Wire, Safety; 0.051" DIA x 10" long
4	1	1-M-Assembly-045	Magnet Assembly for Kicker Reed Switch
5	1	1-Y-0086	Cylinder, Kicker 1.5" Bore, 0.75" Rod x 6" Stroke
6	1	1-Y-0136	Pin, Cylinder 1"OD x 2.75" Usable with weld on washer end
7	1	1-Y-0147	Reed Switch, cable 10' Long
8	2	1-Y-0205	Brass Nut, .3125-18 UNC
9	2	1-Y-0630	Bearing, w/ 4 hole flange, 1.5"ID
10	1	1-Z-0001	Cotter, Hair Pin 0.178" Wire Dia, Fits 1" Shaft
11	3	1-Z-0015	1/4 UNF ST Zerk
12	8	1-Z-0078	Nylon Lock Nut, 0.5" - 13 UNC
13	2	1-Z-0116	Washer .375"
14	2	1-Z-0223	Washer, Star external tooth, 5/16"
15	8	1-Z-0263	Shaker Screen bolt, 1/2"-13 UNC x 1.5"
16	1	1-Z-0350	Hex Cap Screw, 0.375" - 16 UNC x 1", GRD 5, Zinc, Wire-Lockable



Ring Pin Assembly for Side Doors			
ITEM	QT	PART NUMBER	DESCRIPTION
1	2	1-O-0000E	Side Door
2	4	1-Z-0068	Linch Pin, 0.3125" OD Standard

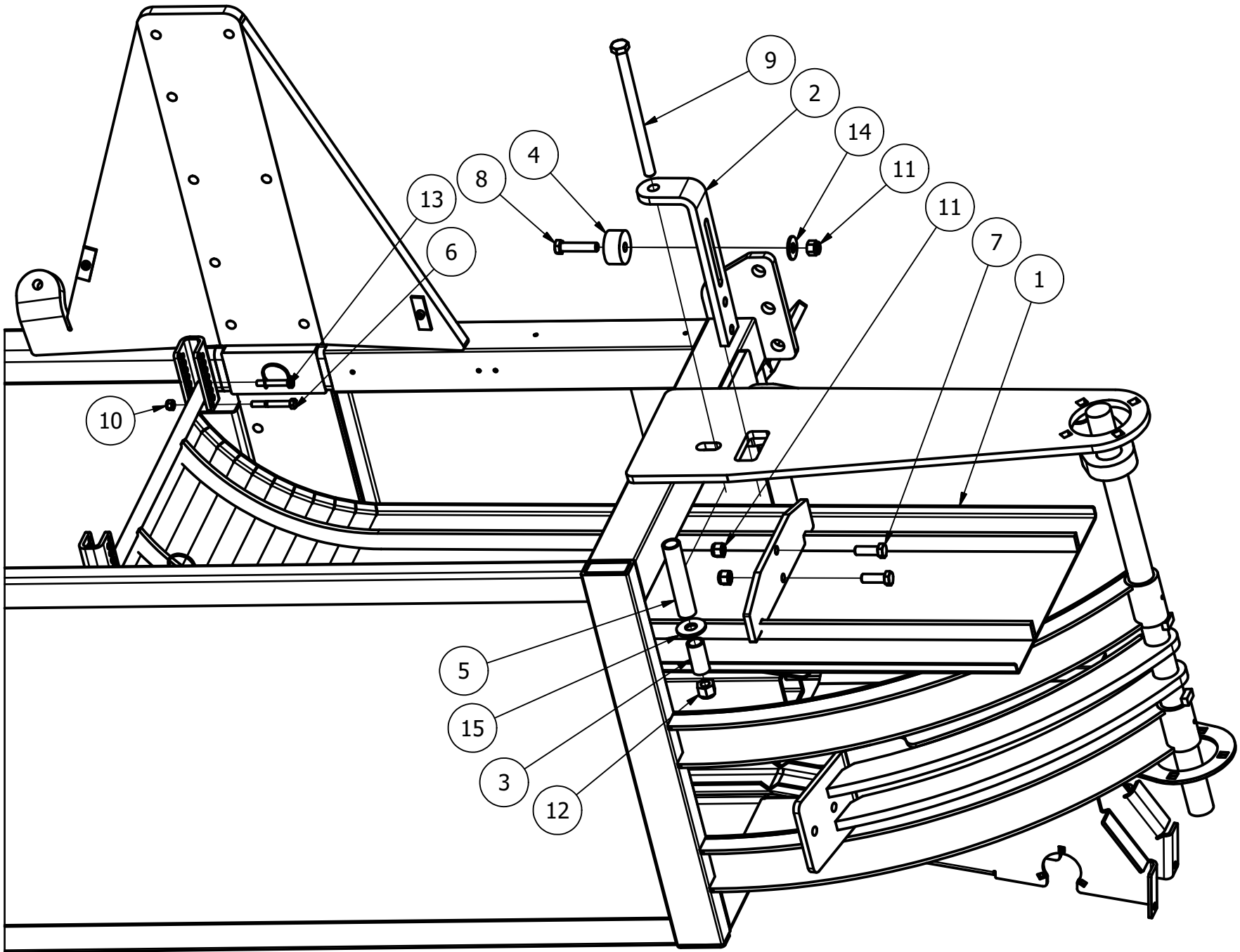
BALE BAND-IT PARTS

PRESSURE PLATE SECTION 140

TABLE OF CONTENTS

<u>NAME</u>	<u>PAGE #</u>
PRESSURE PLATE ASSEMBLY	1 - 2







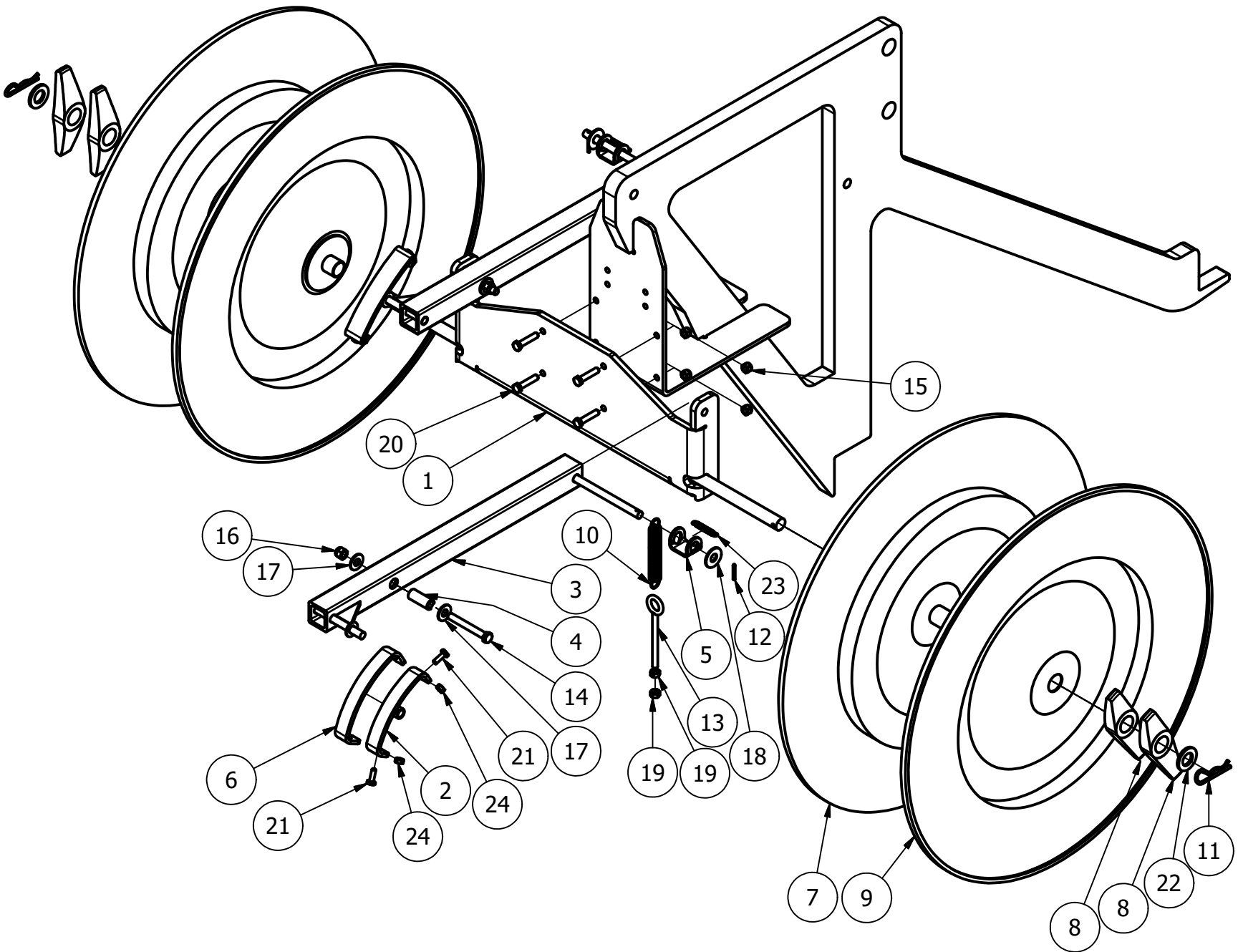
Pressure Plate Assembly			
ITEM	QT	PART NUMBER	DESCRIPTION
1	1	1-M-0000A	Sheet Metal for Pressure Plate
2	1	1-M-0016	PRESSURE PLATE SPRING BRACKET
3	1	1-M-0017	SPACER USED FOR 16" THICK HAY BALES
4	1	1-M-0060	Pressure Plate Stop
5	1	1-Y-0157	Spring, Compression, .812" ID x 1.052"OD x 5"
6	2	1-Z-0024	Hex Cap Screw, 0.3125" - 18 UNC x 2.5"
7	2	1-Z-0041	Hex Cap Screw, 0.5" - 13 UNC x 1.5"
8	1	1-Z-0044	Hex Cap Screw, 0.5" - 13 UNC x 2.25"
9	1	1-Z-0056	Hex Cap Screw, 0.625" - 11 UNC x 9"
10	2	1-Z-0076	Nylon Lock Nut, 0.3125" - 18 UNC
11	3	1-Z-0078	Nylon Lock Nut, 0.5" - 13 UNC
12	1	1-Z-0079	Nylon Lock Nut, 0.625" - 11 UNC
13	2	1-Z-0093	Snap pin round retainer w/ tab lock 0.3125" Dia x 1.75"
14	1	1-Z-0118	Washer, Flat Normal 0.5"
15	1	1-Z-0119	Washer, Flat Normal 0.625"

BALE BAND-IT PARTS

STRAP DRUM SECTION 145

TABLE OF CONTENTS

<u>NAME</u>	<u>PAGE #</u>
BANDING DRUM ASSEMBLY	1 - 2





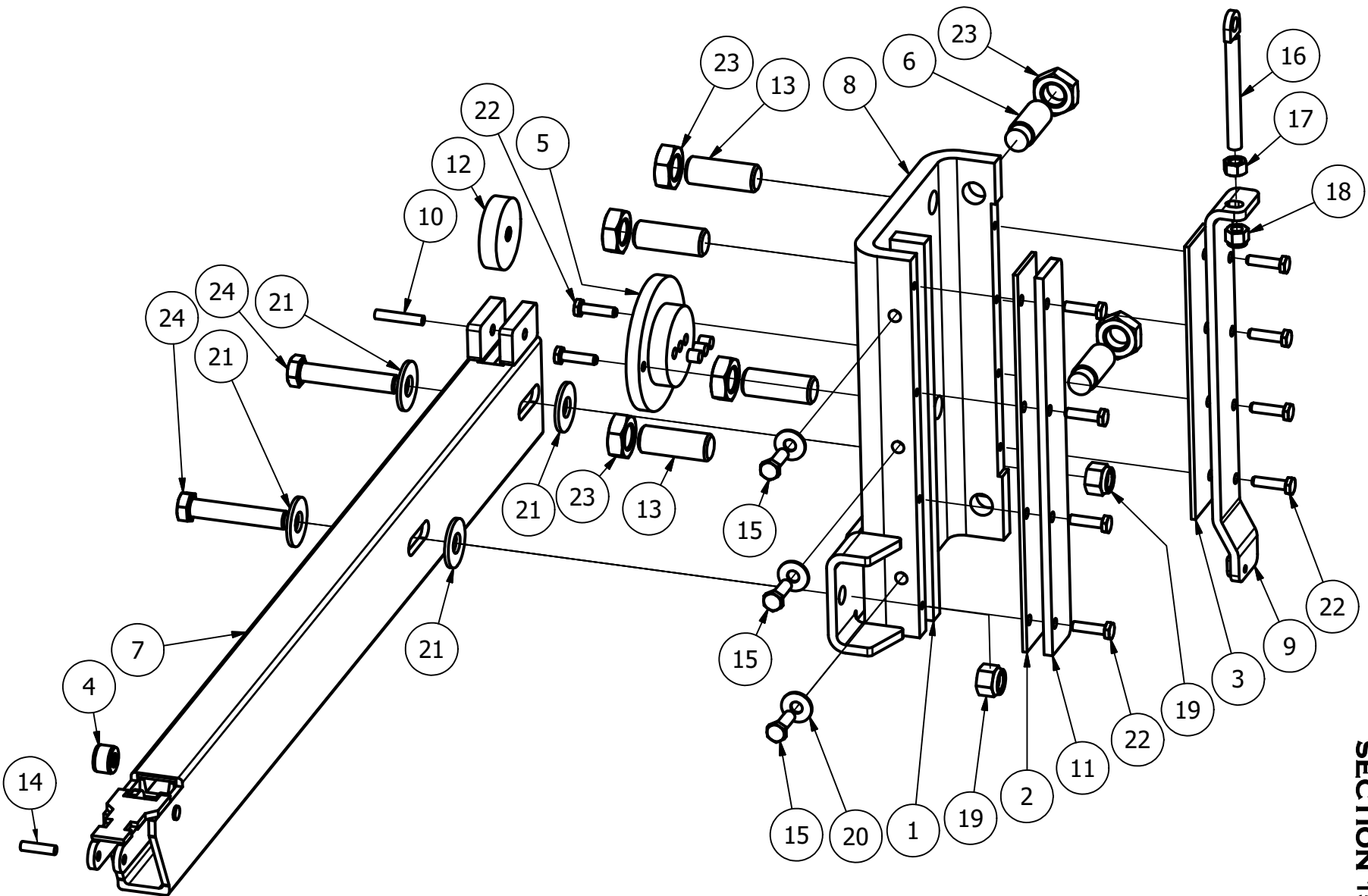
Banding Drum Assembly			
ITEM	QT	PART NUMBER	DESCRIPTION
1	1	1-M-0000AG	Banding Drum Holder Weldment
2	2	1-M-0000AU	Brake Pad Bracket
3	2	1-M-0000J	BAND DRUM BRAKE ARM
4	2	1-M-0004	Spacer for Band Drum Brake Pivot
5	2	1-M-0237	Banding Drum Guide
6	2	1-M-0322	Belting for Brake Pad 8.5" x 1.125" x .2"
7	2	1-Y-0116	Rear Reel Assembly (Banding Drum w/ Male Threaded Part)
8	4	1-Y-0119	Wing nut
9	2	1-Y-0120	Front Reel Assembly (Banding Drum Female)
10	2	1-Y-0156	Spring, 11/16" OD x .072 wire dia, 5" long, extension
11	2	1-Z-0001	Cotter, Hair Pin 0.178" Wire Dia, Fits 1" Shaft
12	2	1-Z-0003	Cotter, Pin Standard 0.125 Dia. X 1" Long
13	2	1-Z-0006	Bolt, I 0.3125"-18 UNC x 5.0"
14	2	1-Z-0033	Hex Cap Screw, 0.375"-16 UNC X 3", GRD 5
15	4	1-Z-0076	Nylon Lock Nut, 0.3125" - 18 UNC
16	2	1-Z-0077	Nylon Lock Nut, 0.375" - 16 UNC
17	4	1-Z-0116	Washer, Flat Normal 0.375"
18	2	1-Z-0117	Washer, Flat Normal 0.4375"
19	4	1-Z-0133	Nut, Hex Regular 0.3125" - 18 UNC
20	4	1-Z-0146	Hex Cap Screw, 0.3125" - 18 UNC x 1.5"
21	4	1-Z-0212	Hex Cap Screw, 0.25" - 20 UNC x 0.75"
22	2	1-Z-0219	WASHER, MACHINE 13/16" ID X 1 15/32" OD X 0.122"
23	2	1-Z-0306	Spring, 11/16" OD x .072 wire dia, 5" long, extension
24	4	1-Z-0335	Nut, Hex Regular 0.25"-20

BALE BAND-IT PARTS

STRAP GUIDE ARMS SECTION 150

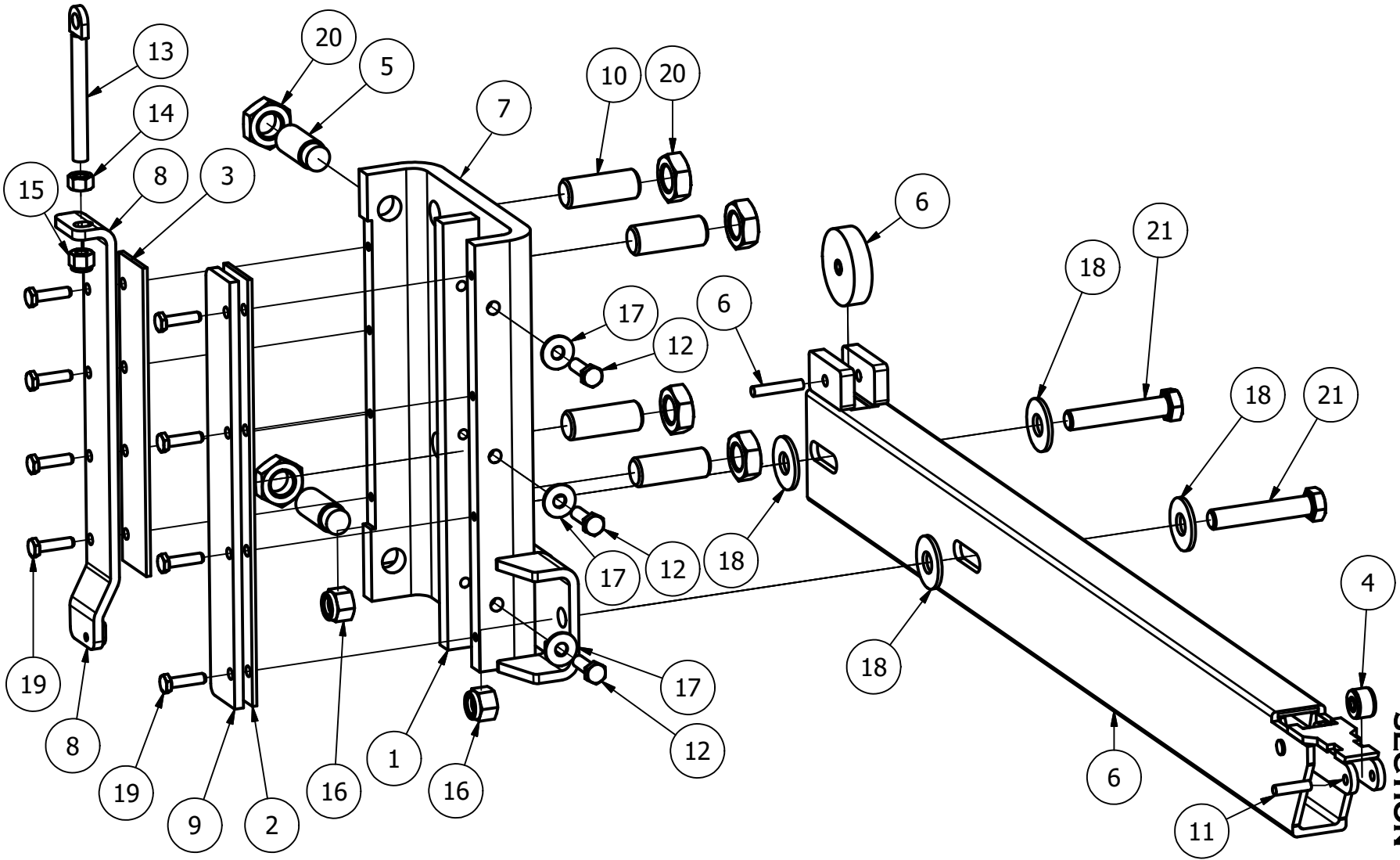
TABLE OF CONTENTS

<u>NAME</u>	<u>PAGE #</u>
STRAP GUIDE ARM RIGHT ASSEMBLY	1 - 2
STRAP GUIDE ARM LEFT ASSEMBLY	3 - 4
STRAP GUIDE ARM DRIVE ASSEMBLY	5 - 7
STRAP GUIDE ARM CHAIN ATTACHMENT	8



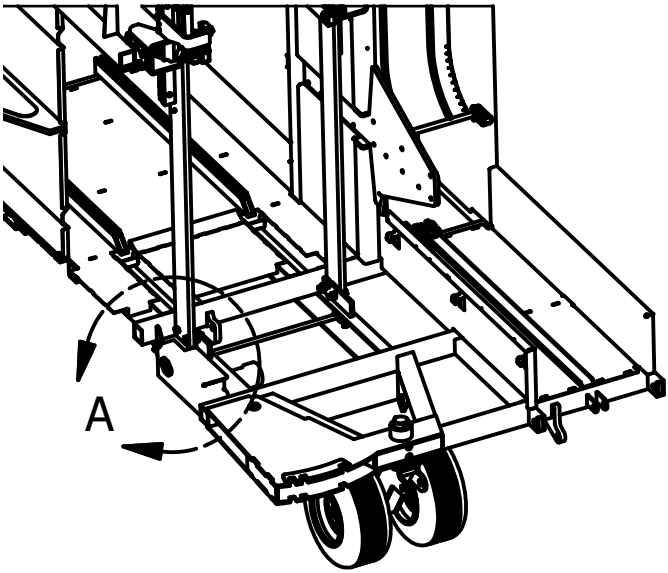
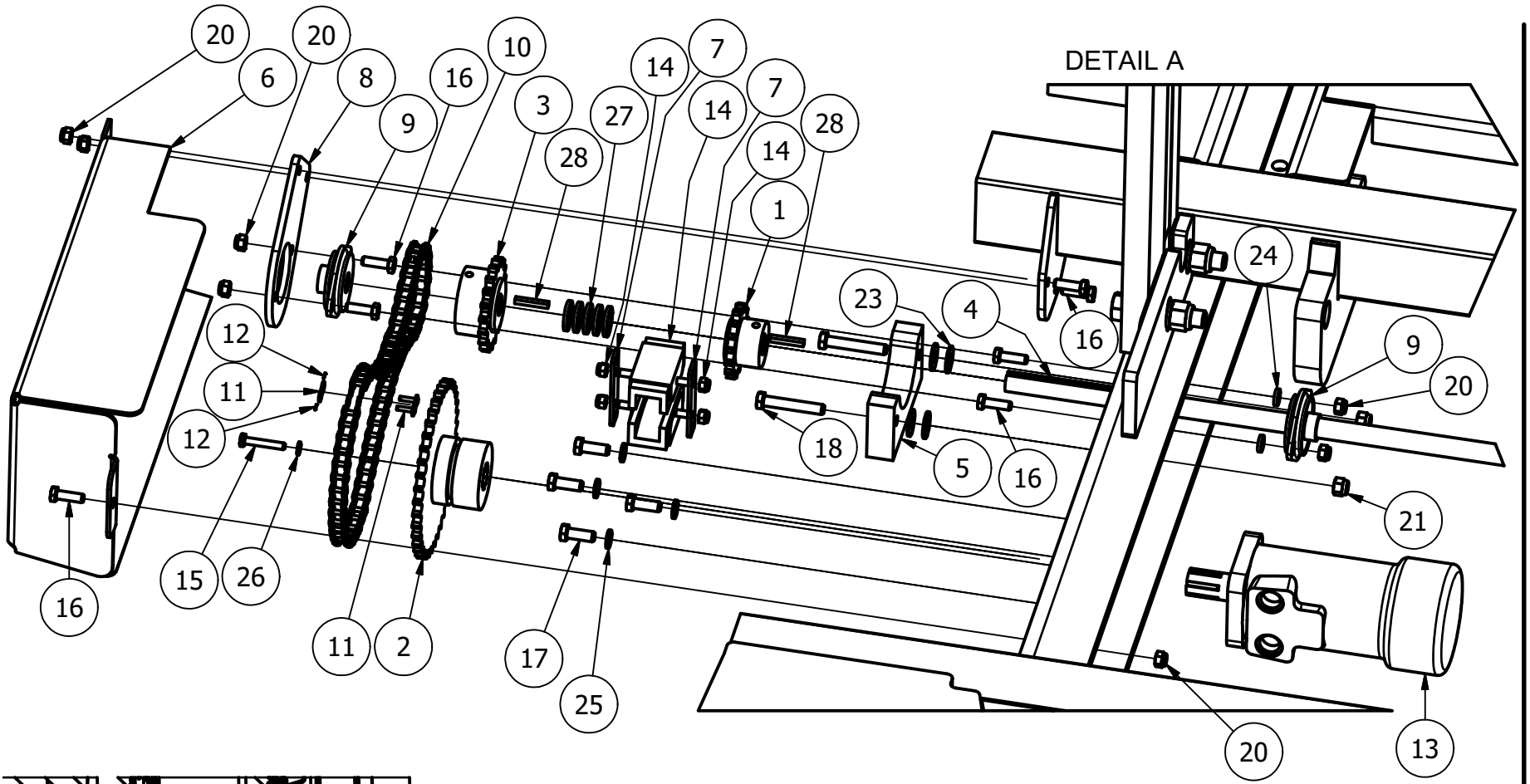


Strap Guide Arm Right Assembly			
ITEM	QT	PART NUMBER	DESCRIPTION
1	1	1-M-0228	Strap Guide Arm Stationary Slide
2	1	1-M-0229	Strap Guide Arm Side Slide - Long
3	1	1-M-0230	Strap Guide Arm Side Slide - Short
4	1	1-M-ASSEMBLY-044	Roller & Bushing Press Assembly For Stapping
5	1	1-M-ASSEMBLY-048	Plastic Magnet Assembly For Strap Guide Arm
6	2	1-M-ASSEMBLY-053	Setscrew, Wear Holder, .75"-10 UNC, White Insert
7	1	1-N-0000C	Strap Guide Arm Weldment
8	1	1-N-0000F	Strap Guide Arms Base- Right
9	1	1-N-0000H	Chain attach Strapguide arm - Right
10	1	1-N-0016	Rod, .25" OD x 1.375" long
11	1	1-N-0025	Strap Guide bolt on side bracket
12	1	1-N-ASSEMBLY-004	Strap Guide Large Strap Roller Press Assembly
13	4	1-Y-0771	Vert. Plunger Plastic Bolt .75"-10X1.75" Socket
14	1	1-Z-0005	Dowel Pin, 0.25" Dia x 1"
15	3	1-Z-0023	Hex Cap Screw, 0.3125" - 18 UNC X 1"
16	1	1-Z-0061	Jig latch bolt, 0.375" - 16 UNC x 3.75"
17	1	1-Z-0070	Nut, Hex Regular .375"-16 UNC
18	1	1-Z-0077	Nylon Lock Nut, 0.375" - 16 UNC
19	2	1-Z-0078	Nylon Lock Nut, 0.5" - 13 UNC
20	3	1-Z-0115	Washer, Flat Normal 0.3125"
21	4	1-Z-0118	Washer, Flat Normal 0.5"
22	10	1-Z-0212	Hex Cap Screw, 0.25" - 20 UNC X 1"
23	6	1-Z-0308	Nut Hex Jam 0.75"- 10 UNC, GRD.5
24	2	1-Z-0333	Hex Cap Screw, 0.5" - 13 UNC X 2.75", GRD 5

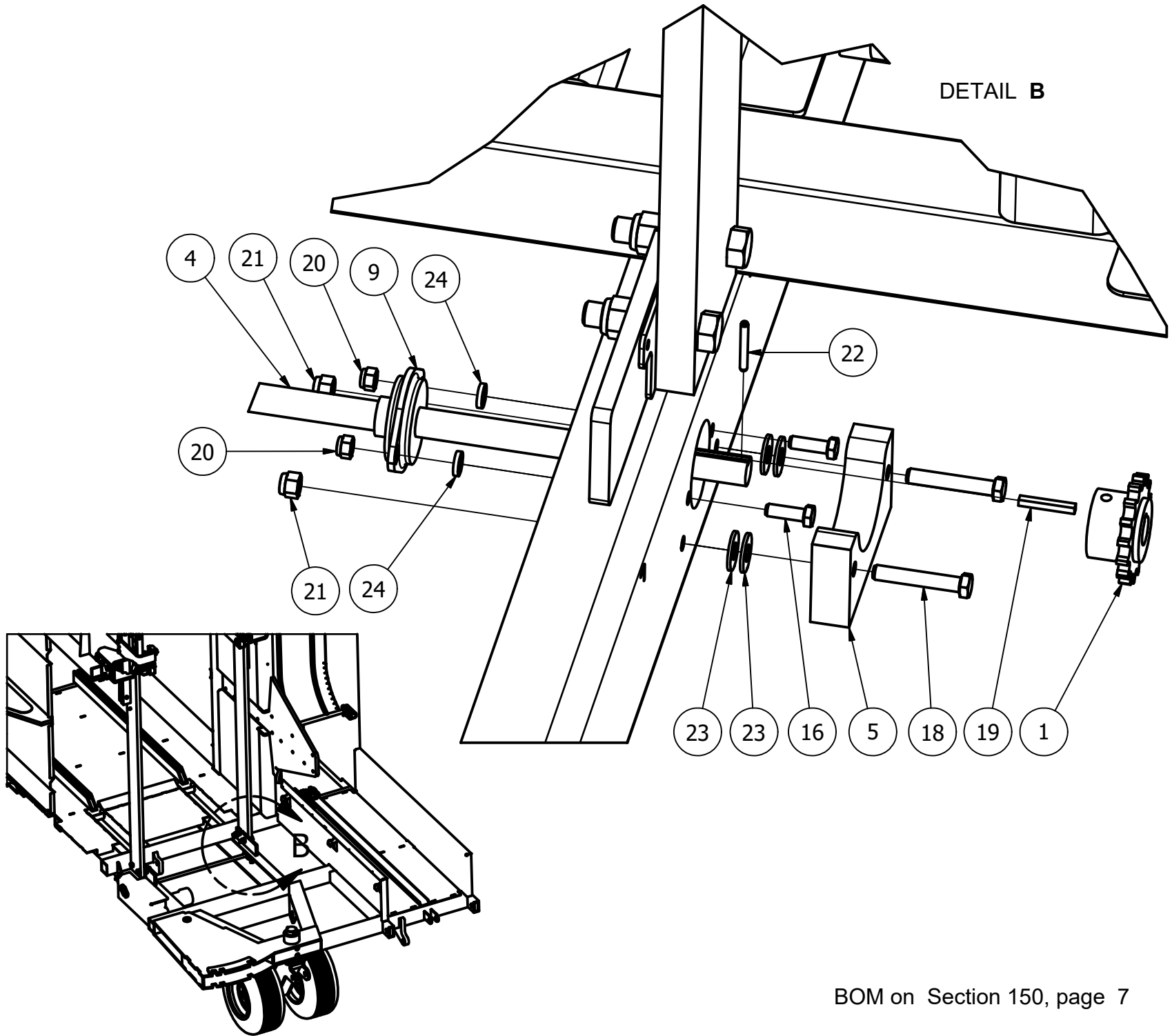




Strap Guide Arm Left Assembly			
ITEM	QT	PART NUMBER	DESCRIPTION
1	1	1-M-0228	Strap Guide Arm Stationary Slide
2	1	1-M-0229	Strap Guide Arm Side Slide - Long
3	1	1-M-0230	Strap Guide Arm Side Slide - Short
4	1	1-M-ASSEMBLY-044	Roller & Bushing Press Assembly For Stapping
5	2	1-M-Assembly-053	Wear Holder for StrapGArms (White)
6	1	1-N-0000C	Strap Guide Arm
7	1	1-N-0000G	Strap guide arm base - Left
8	1	1-N-0000J	Chain attach Stapguide arm - Left
9	1	1-N-0025	Strap Guide bolt on side bracket
10	4	1-Y-0771	Vert. Plunger Plastic Bolt .75"-10X1.75" Socket
11	1	1-Z-0005	Dowel Pin, 0.25" Dia x 1"
12	3	1-Z-0023	Hex Cap Screw, 0.3125" - 18 UNC X 1"
13	1	1-Z-0061	Jig latch bolt, 0.375" - 16 UNC x 3.75"
14	1	1-Z-0070	Nut, Hex Regular .375"-16 UNC
15	1	1-Z-0077	Nylon Lock Nut, 0.375" - 16 UNC
16	2	1-Z-0078	Nylon Lock Nut, 0.5" - 13 UNC
17	3	1-Z-0115	Washer, Flat Normal 0.3125"
18	4	1-Z-0118	Washer, Flat Normal 0.5"
19	8	1-Z-0212	Hex Cap Screw, 0.25" - 20 UNC X 1"
20	6	1-Z-0308	Nut Hex Jam 0.75"- 10 UNC, GRD.5
21	2	1-Z-0333	Hex Cap Screw, 0.5" - 13 UNC X 2.75", GRD 5



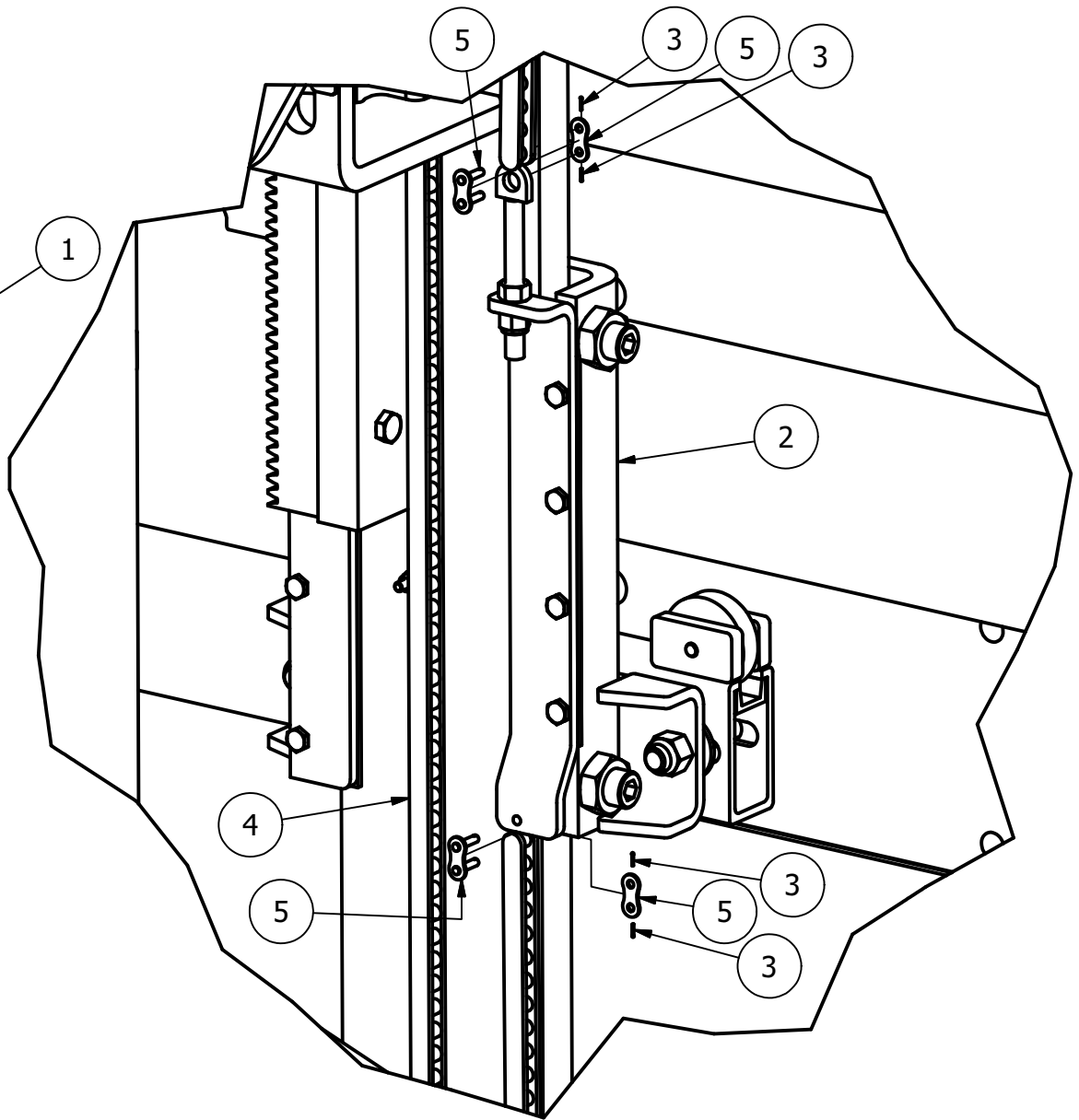
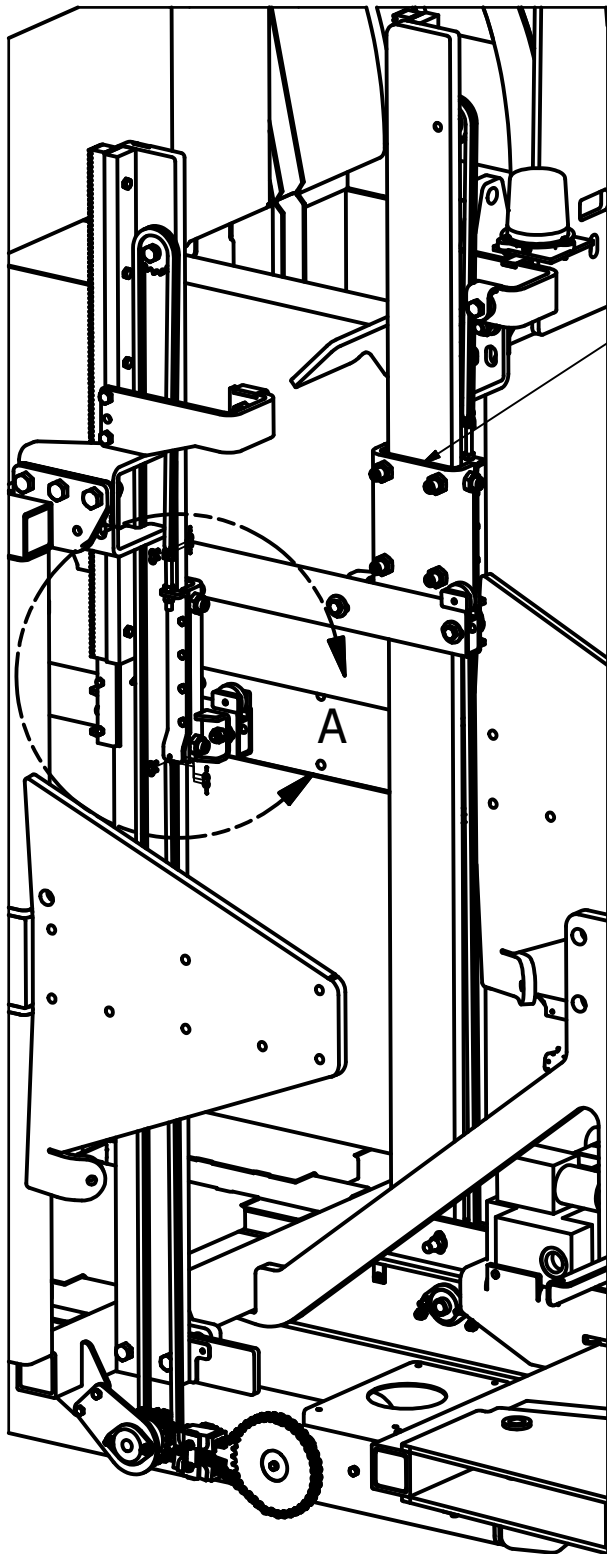
BOM on Section 150, page 7



BOM on Section 150, page 7



Strap Guide Arm Drive Assembly			
ITEM	QT	PART NUMBER	DESCRIPTION
1	2	1-M-0000AN	Sprocket Weldment, #40, 16 teeth W/ hub
2	1	1-M-0000B	SPROCKET WELDMENT, #40 40 TEETH W/ HUB
3	1	1-M-0000V	SPROCKET WELDMENT, #40 20 TEETH W/ HUB
4	1	1-M-0042	Shaft for Strap Guide Arms
5	2	1-M-0151	PLASTIC HORSESHOE - STRAP GUIDE DRIVE SPROCKET
6	1	1-M-0168	Strap Guide Arm Chain Guard
7	2	1-M-0170	Side straps for snap idle SI-40
8	1	1-M-0225	Bearing Support Strap Guide Arm Drive
9	3	1-Y-0056	Bearing, w /2 hole flange, .75"ID
10	1	1-Y-0066	Chain, #40 X 36.5" Long
11	1	1-Y-0387	Master Link #40 chain
12	2	1-Y-0388	Cotter Pin .0625" Dia X .5" Long
13	1	1-Y-0625	Strap Guide Arm Motor With Built-in Parking Brake
14	1	1-Y-0705	Snap Idler #40 Chain Tightener
15	1	1-Z-0020	Hex Cap Screw, 0.25" - 20 UNC x 1.5"
16	8	1-Z-0023	Hex Cap Screw, 0.3125" - 18 UNC X 1"
17	4	1-Z-0028	Hex Cap Screw, .375"-16 UNC X 1"
18	4	1-Z-0031	Hex Cap Screw, .375"-16 UNC X 2.25"
19	1	1-Z-0063	Key Stock, 0.1875" x 1.4375" Long
20	9	1-Z-0076	Nylon Lock Nut, .3125"-18 UNC
21	4	1-Z-0077	Nylon Lock Nut, .375"-16 UNC
22	1	1-Z-0109	Spring Pin 0.1875" x 1.5" Long
23	9	1-Z-0116	Washer, Flat Normal .375"
24	4	1-Z-0172	Washer, Machine .375" ID X .625" OD X 0.125"
25	4	1-Z-0229	Washer, Lock .375"
26	1	1-Z-0230	Washer, Lock .25"
27	5	1-Z-0274	Washer, Machine .75" ID X 1.125" OD X .125"
28	2	1-Z-0309	Key Stock, 0.1875" x 1.25" Long



STRAP GUIDE ARM CHAIN ATTACHMENT

ITEM	QTY	PART NUMBER	DESCRIPTION
1	1	1-N-ASSEMBLY-002	Right Strap Guide Arm
2	1	1-N-ASSEMBLY-003	Left Strap Guide arm
3	8	1-Y-0388	Cotter Pin .0625" dia X .5" long
4	2	1-Y-0691	Chain, #40 X 151.5" (303 Links)
5	4	1-Y-0816	Master Link #40 Chain - Cotter Style

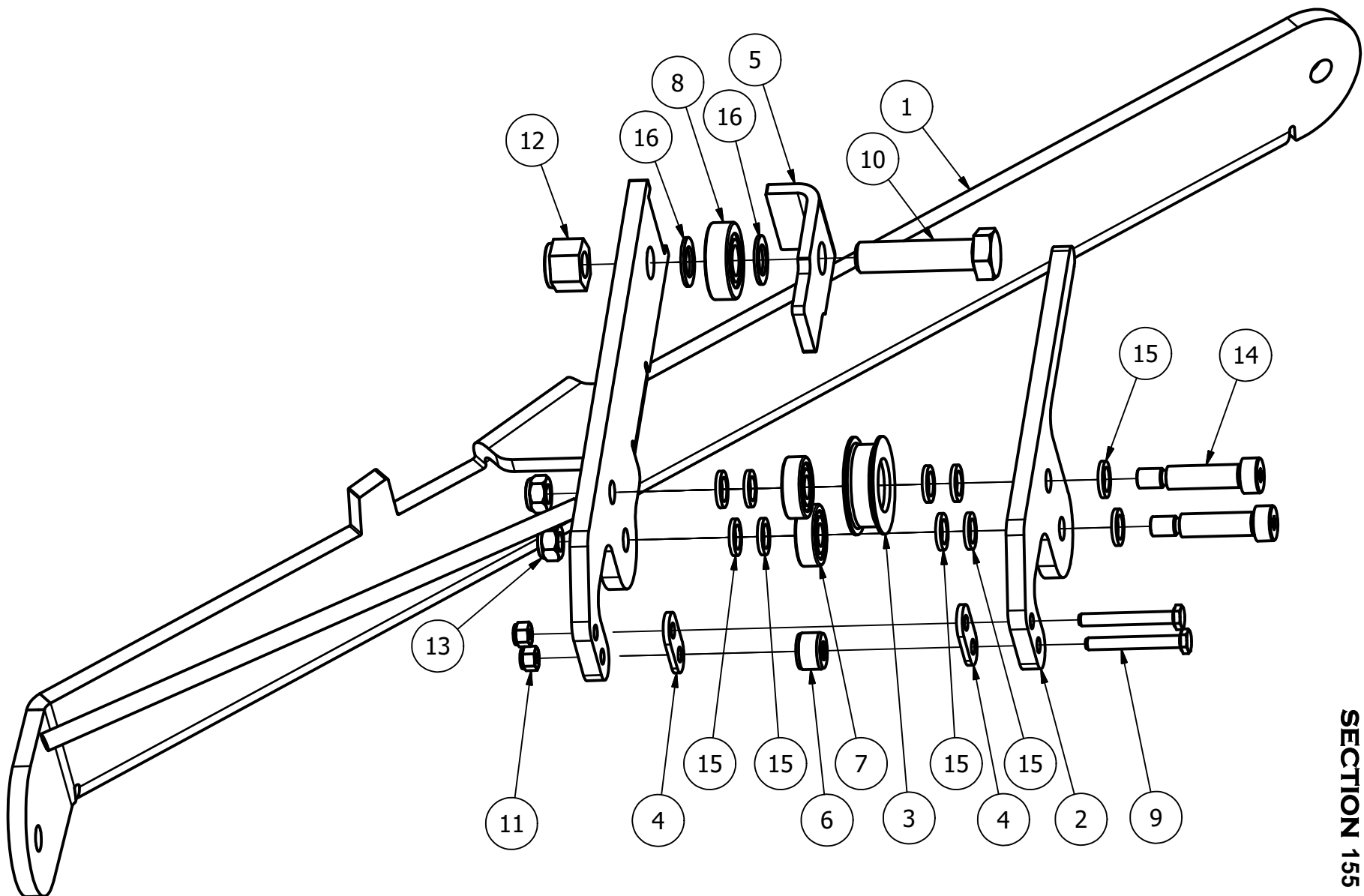
BALE BAND-IT PARTS

STRAP ROLLER - BRACES SECTION 155

155

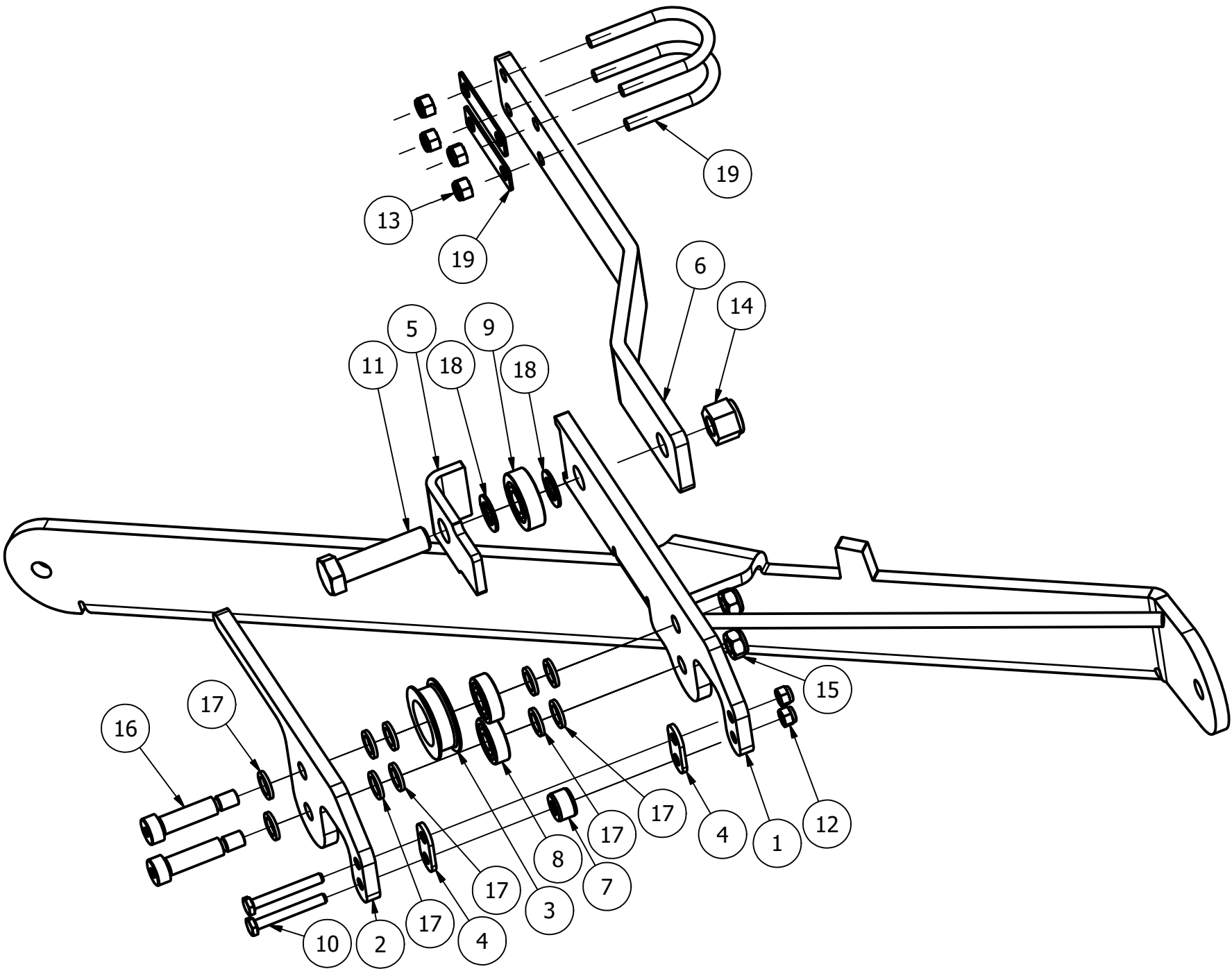
TABLE OF CONTENTS

<u>NAME</u>	<u>PAGE #</u>
LOWER BRACE LEFT ASSEMBLY	1 - 2
LOWER BRACE RIGHT ASSEMBLY	3 - 4
UPPER & LOWER BRACES TO MACHINE	5 - 6



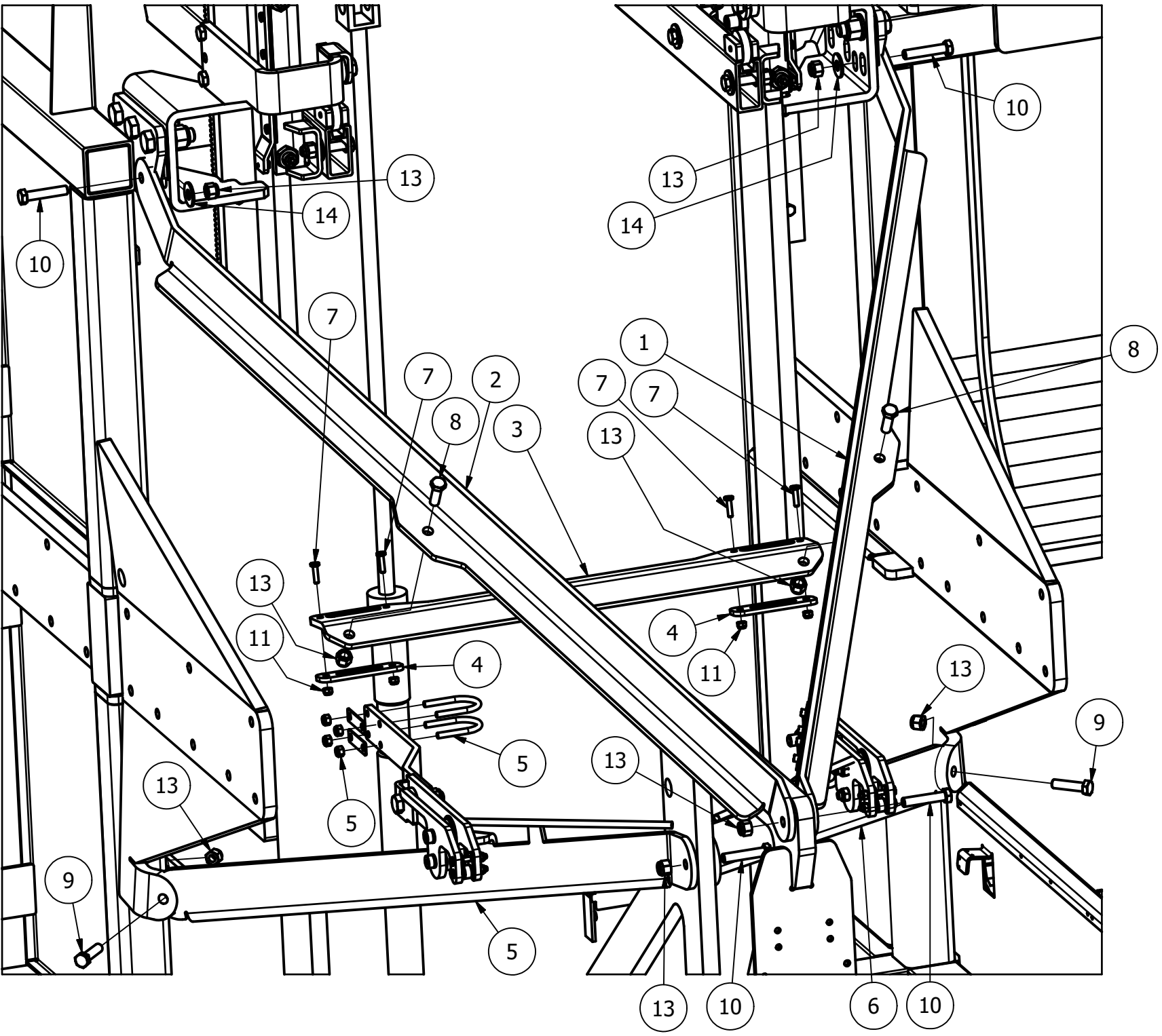


Lower Brace Left Assembly			
ITEM	QT	PART NUMBER	DESCRIPTION
1	1	1-M-0000G	Lower Brace Left Weldment
2	1	1-M-0145	Strap Crimper Bracket
3	1	1-M-0155	Crimper Roller
4	2	1-M-0177	Bolt on guide plates for Crimper Roller
5	1	1-M-0226	UpperBearingBoltOnBracket
6	1	1-M-Assembly-044	Roller & Bushing Press Assembly For Strapping
7	2	1-Y-0052	Bearing, .4724"ID x 1.2598"OD x .3937"
8	1	1-Y-0054	Bearing, .625"ID 1.5748"OD x 0.4724"
9	2	1-Z-0021	Hex Cap Screw, 0.25" - 20 UNC X 2"
10	1	1-Z-0051	Hex Cap Screw, 0.625" - 11 UNC x 2.5"
11	2	1-Z-0075	Nylon Lock Nut, 0.25" - 20 UNC
12	1	1-Z-0079	Nylon Lock Nut, 0.625" - 11 UNC
13	2	1-Z-0083	Nylon Lock Nut, M10
14	2	1-Z-0102	Socket Head Shoulder Screw, M10 THRD X 12 MM OD X 40 MM Long
15	10	1-Z-0123	Washer, Machine 0.50" ID X 0.75" OD X 0.093"
16	2	1-Z-0124	Washer, Machine .625" ID X 1" OD X 0.0625"





Lower Brace Right Assembly			
ITEM	QT	PART NUMBER	DESCRIPTION
1	1	1-M-0000F	Lower Brace Right Weldment
2	1	1-M-0145	Strap Crimper Bracket
3	1	1-M-0155	Crimper Roller
4	2	1-M-0177	Bolt on guide plates
5	1	1-M-0226	Back Bearing Bolt On Bracket
6	1	1-M-0227	Bracket for Cylinder Brace
7	1	1-M-Assembly-044	Roller & Bushing Press Assembly For Strapping
8	2	1-Y-0052	Bearing, .4724"ID x 1.2598"OD x .3937"
9	1	1-Y-0054	Bearing, .625"ID 1.5748"OD x 0.4724" Thick
10	2	1-Z-0021	Hex Cap Screw, 0.25" - 20 UNC X 2"
11	1	1-Z-0051	Hex Cap Screw, 0.625" - 11 UNC x 2.5", GRD 5
12	2	1-Z-0075	Nylon Lock Nut, 0.25" - 20 UNC
13	4	1-Z-0076	Nylon Lock Nut, 0.3125" - 18 UNC
14	1	1-Z-0079	Nylon Lock Nut, 0.625" - 11 UNC
15	2	1-Z-0083	Nylon Lock Nut, M10
16	2	1-Z-0102	Socket Head Shoulder Screw, M10 THRD X 12 MM OD X 40 MM Long
17	10	1-Z-0123	Washer, Machine 0.50" ID X 0.75" OD X 0.093"
18	2	1-Z-0124	Washer, Machine .625" ID X 1" OD X 0.0625"
19	2	1-Z-0291	U-Bolt, .3125"-18 UNC X 1.75" Opening X 2.6875 Length





Upper & Lower Braces To Machine			
ITEM	QT	PART NUMBER	DESCRIPTION
1	1	1-M-0000AI	Upper Brace - Left
2	1	1-M-0190	Upper Brace-Right
3	1	1-M-0192	Upper Brace Cross Support
4	2	1-M-0193	Strap maintain UHMW
5	1	1-M-Assembly-015	Lower Brace Right Assembly
6	1	1-M-Assembly-016	Lower Brace Left Assembly
7	4	1-Z-0018	Hex Cap Screw, 0.25" - 20 UNC X 1"
8	2	1-Z-0041	Hex Cap Screw, 0.5" - 13 UNC x 1.5"
9	2	1-Z-0043	Hex Cap Screw, .5"-13 UNC X 2", GRD 5
10	4	1-Z-0045	Hex Cap Screw, .5"-13 UNC X 2.5", GRD 5
11	4	1-Z-0075	Nylon Lock Nut, .25"-20 UNC
13	8	1-Z-0078	Nylon Lock Nut, .5"-13 UNC
14	2	1-Z-0118	Washer, Flat Normal 0.5"

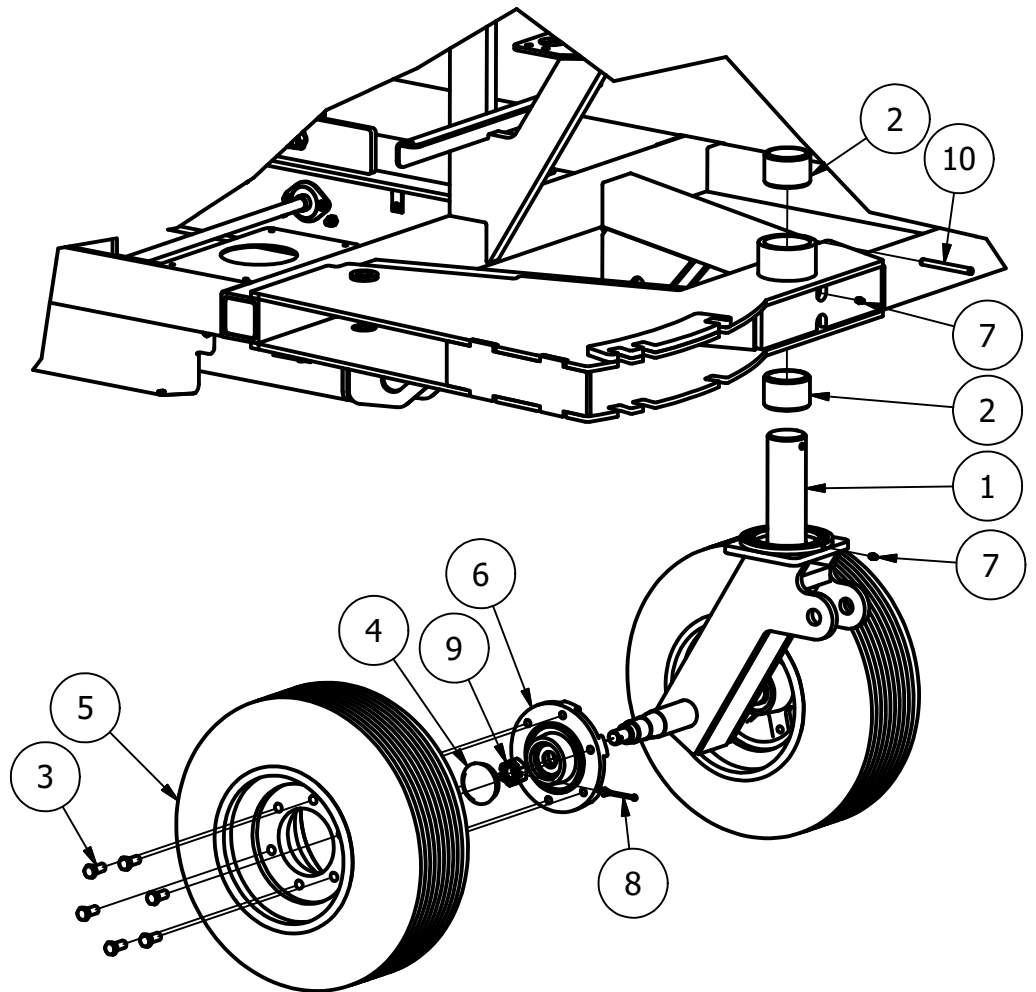
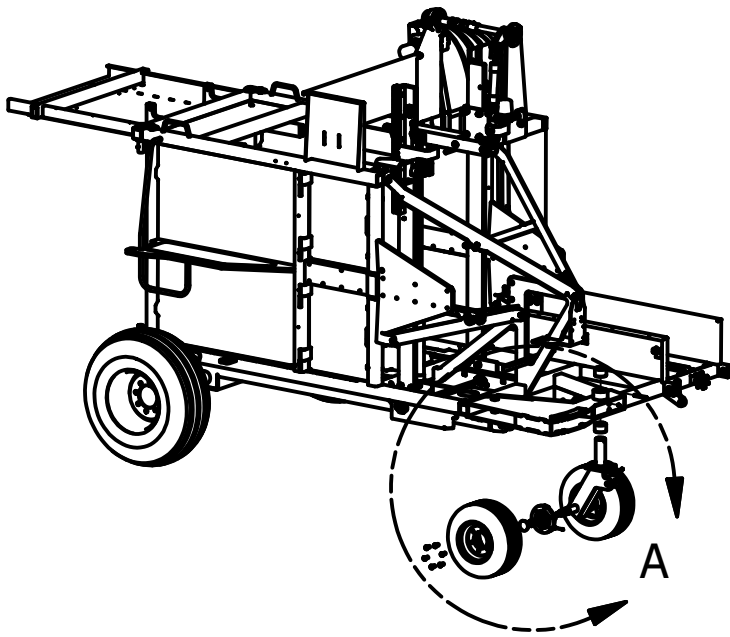
BALE BAND-IT PARTS

TIRES & WHEELS SECTION 160

TABLE OF CONTENTS

<u>NAME</u>	<u>PAGE #</u>
FRONT CASTER WHEEL ASSEMBLY TO CHASSIS	1
FRONT HUB (6 LUG) ASSEMBLY	2
REAR SPINDLE/TIRE ASSEMBLY TO CHASSIS	3
REAR HUB (8 LUG) ASSEMBLY	4

160

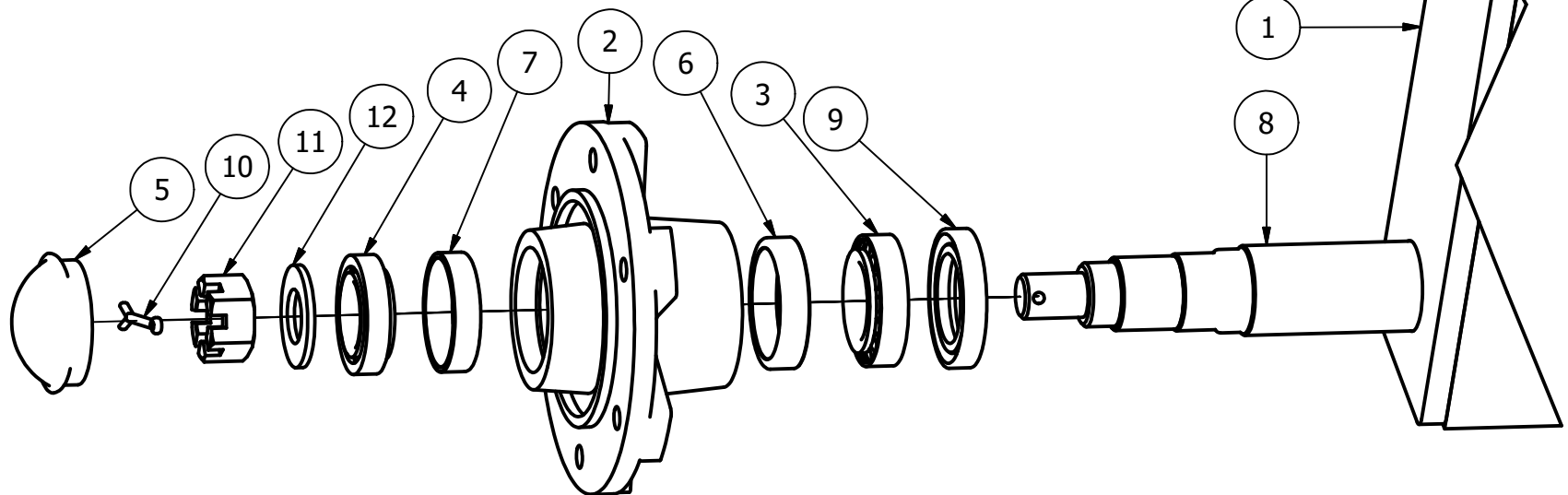
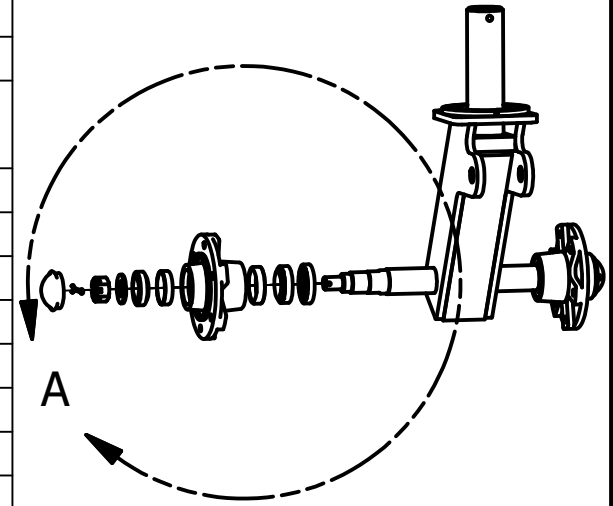


Front Caster Wheel Assembly To Chasis

ITEM	QT	PART NUMBER	DESCRIPTION
1	1	1-P-0000C	Caster Wheel (Painted) Weldment
2	2	1-Y-0070	Chrome-Vanadium Spring Steel Aisi-sae 6150 Bus
3	12	1-Y-0405	Bolt 1/2 - 20 UNF
4	2	1-Y-0406	Dust Cap for 6 Lug Hubs (Painted)
5	2	1-Y-ASSEMBLY-020	Front tire and rim assembly
6	2	1-Y-Assembly-016	Hub, 6 Bolt, 6" bolt circle, 4.62" pilot (Hub & Component Assembly)
7	2	1-Z-0015	1/4 UNF ST Zerk
8	2	1-Z-0295	Cotterpin 5/32 Dia"
9	2	1-Z-0296	Nut, Castle 1"-14UNF
10	1	1-Z-0111	Spring pin 0.375" x 4" Long

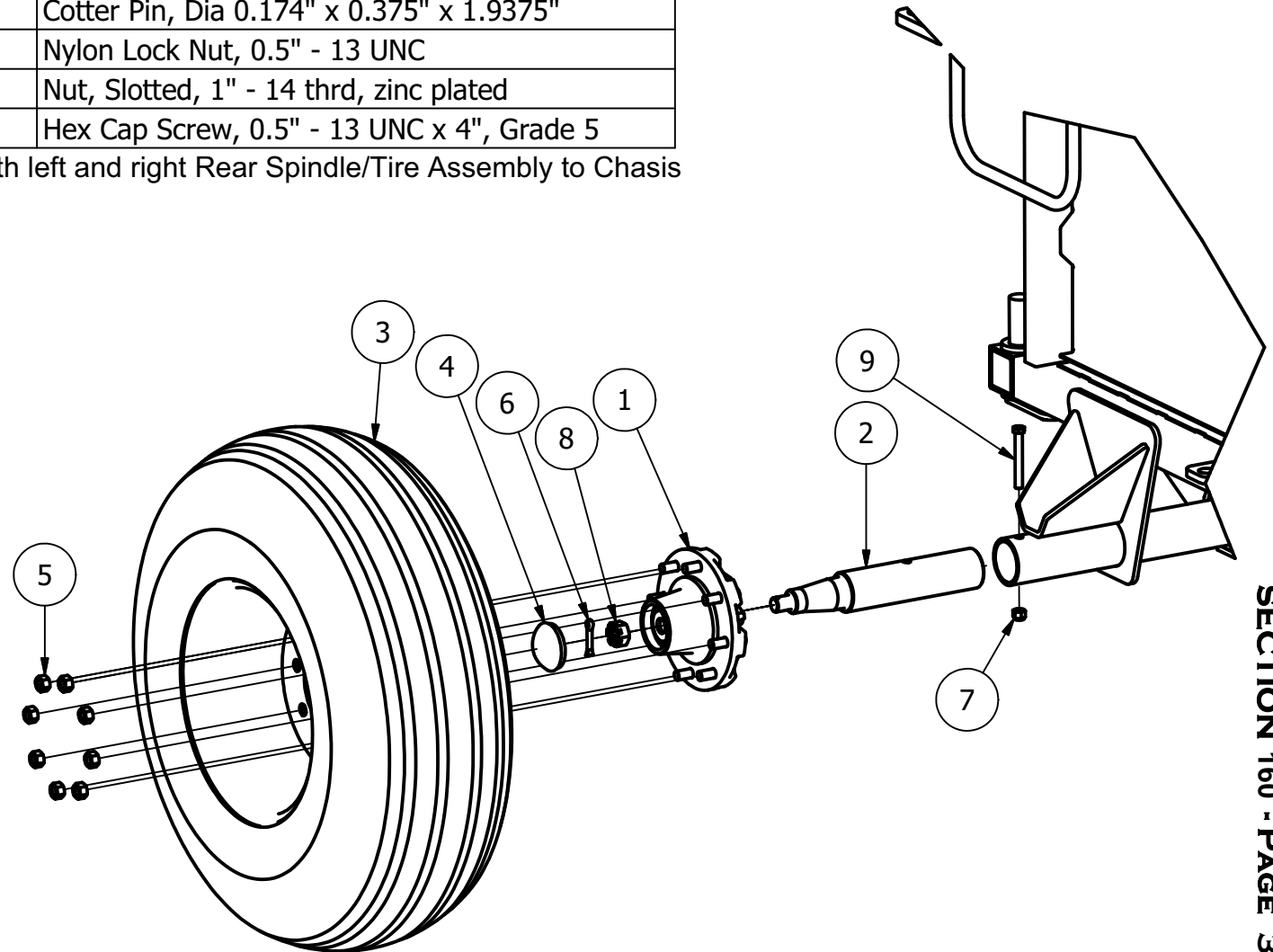
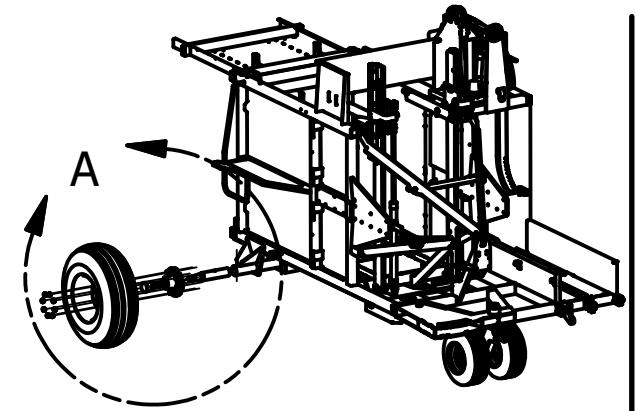
Front Hub (6 Lug) Assembly

ITEM	QT	PART NUMBER	DESCRIPTION
1	1	1-P-0000C	Caster Wheel Weldment
2	2	1-Y-0110	Hub, 6-6-4.62; 3560# Capacity
3	2	1-Y-0402	Bearing, tapered 1.5" ID, Use for Inner Hub bearing LM29749 SAE
4	2	1-Y-0403	Bearing, tapered; Use for outer cone bearing LM67048 SAE
5	2	1-Y-0406	Dust Cap
6	2	1-Y-0508	Inner Cup (Race) 6 lug hub- LM29710 SAE
7	2	1-Y-0509	Outer Cup (Race) 6 Lug Hub LM67010 SAE
8	1	1-Y-0667	Double Ended Spindle 1-3/4" X 19.75
9	2	1-Y-0803	Grease Seal for 6 Lug Hub (2.718" OD x 1.75" shaft)
10	2	1-Z-0295	Cotter, Pin Standard 5/32" Dia. X 2.25" Long
11	2	1-Z-0296	Nut, Slotted, 1" - 14 thrd, zinc plated
12	2	1-Z-0297	Washer, High Strength; Size 1", Nom OD 2.0", Nom ID 1.062"



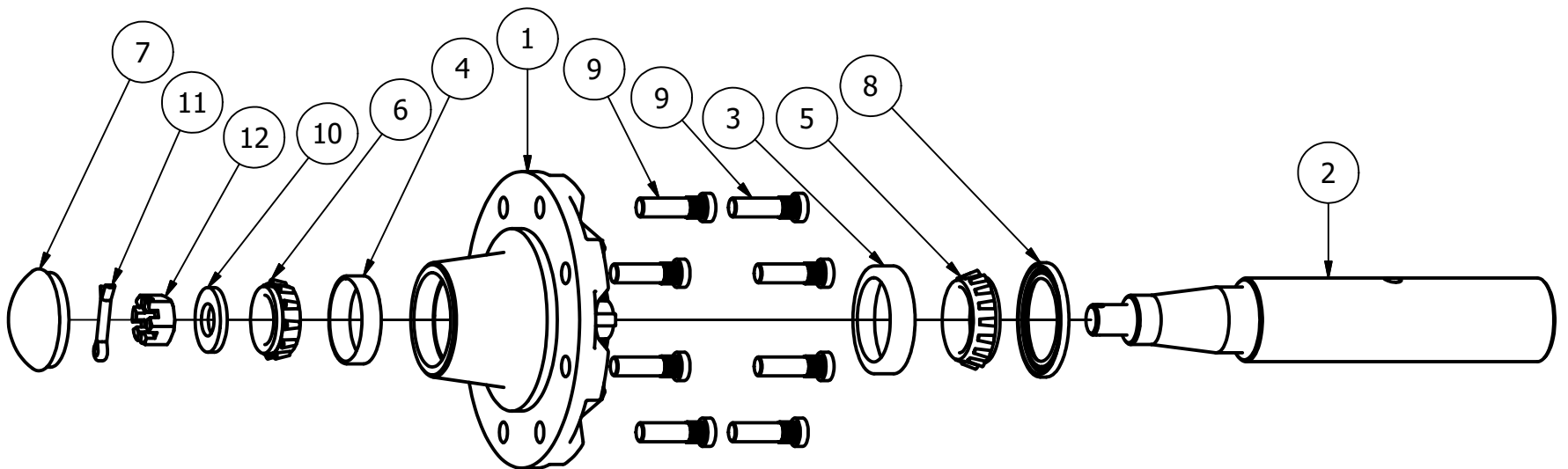
Rear Spindle/Tire Assembly to Chassis			
ITEM	QT	PART NUMBER	DESCRIPTION
1	2	1-Y-0648	Hub, 8 Stud, 8" bolt circle, 6" pilot (Hub & Cupped only) Drilled & tapped for brakes
2	2	1-Y-0649	Rear Spindle for 8 lug hub, Crosshole, 2.75" x 16
3	2	1-Y-0689	Wheel, 16.1XW11C; 8 on 8" Rim
4	2	1-Y-0736	Dust Cap for 8 lug hub
5	16	1-Y-0739	Nut, Stud, 5/8"-18UNF for 8 lug hub
6	2	1-Y-0742	Cotter Pin, Dia 0.174" x 0.375" x 1.9375"
7	2	1-Z-0078	Nylon Lock Nut, 0.5" - 13 UNC
8	2	1-Z-0296	Nut, Slotted, 1" - 14 thrd, zinc plated
9	2	1-Z-0301	Hex Cap Screw, 0.5" - 13 UNC x 4", Grade 5

Quantities Represent both left and right Rear Spindle/Tire Assembly to Chassis





Rear Hub (8 Lug) Assembly			
ITEM	QT	PART NUMBER	DESCRIPTION
1	1	1-Y-0648	Hub, 8 Stud, 8" bolt circle, 6" pilot (Hub & Cupped only) Drilled & tapped for brakes
2	1	1-Y-0649	Rear Spindle for 8 lug hub, Crosshole, 2.75" x 16
3	1	1-Y-0732	Cup (Race), Inner - 8 lug hub JLM506810 SAE
4	1	1-Y-0733	Cup (Race), Outer - 8 lug hub LM501310 SAE
5	1	1-Y-0734	Bearing, tapered; (Cone), Inner - 8 lug hub - JLM506849 SAE
6	1	1-Y-0735	Bearing, tapered; (Cone), Outer - 8 lug hub - LM501349 SAE
7	1	1-Y-0736	Dust Cap for 8 lug hub
8	1	1-Y-0737	Grease Seal for 6 Lug Hub (2.718" OD x 1.75" shaft)
9	8	1-Y-0738	Stud, Press in, 5/8"-18UNF x 2.25" for 8 lug hub
10	1	1-Y-0740	Washer, 1.062"ID x 2.130" OD x 0.245",
11	1	1-Y-0742	Cotter Pin, Dia 0.174" x 0.375" x 1.9375"
12	1	1-Z-0296	Nut, Slotted, 1" - 14 thrd, zinc plated



BALE BAND-IT PARTS

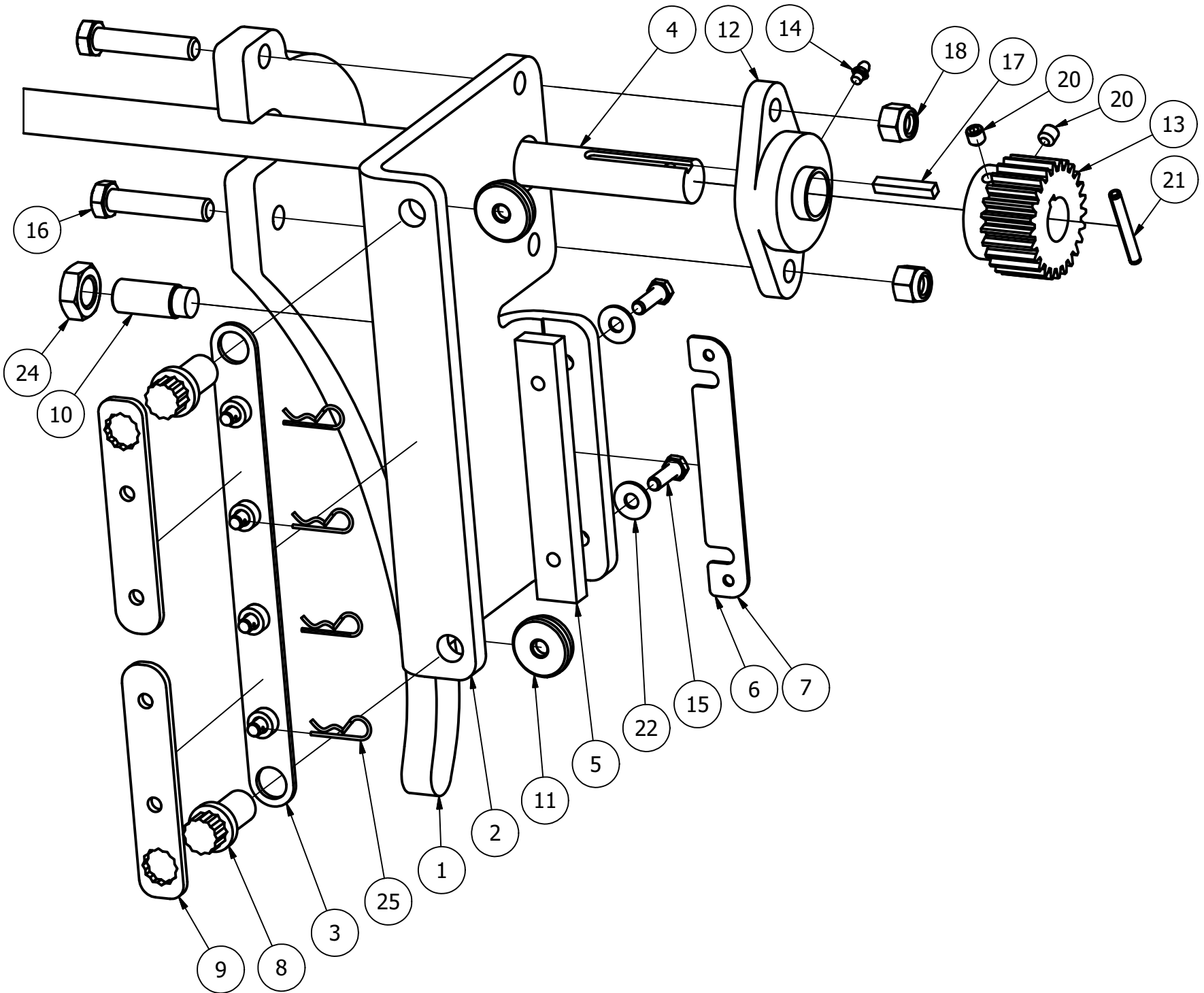
VERTICAL PLUNGER SECTION 165

TABLE OF CONTENTS

<u>NAME</u>	<u>PAGE #</u>
VERTICAL PLUNGER SHAFT/GEAR/SLIDE LEFT ASSEMBLY	1 - 2
VERTICAL PLUNGER SHAFT/GEAR/SLIDE RIGHT ASSEMBLY	3 - 4
VERTICAL SWING TABLE ASSEMBLY	5 - 6
VERTICAL PLUNGER TOP ASSEMBLY	7
VERTICAL PLUNGER BOTTOM ASSEMBLY	8
VERTICAL PLUNGER SWING CYLINDER ASSEMBLY	9
VERTICAL PLUNGER CYLINDER ASSEMBLY	10

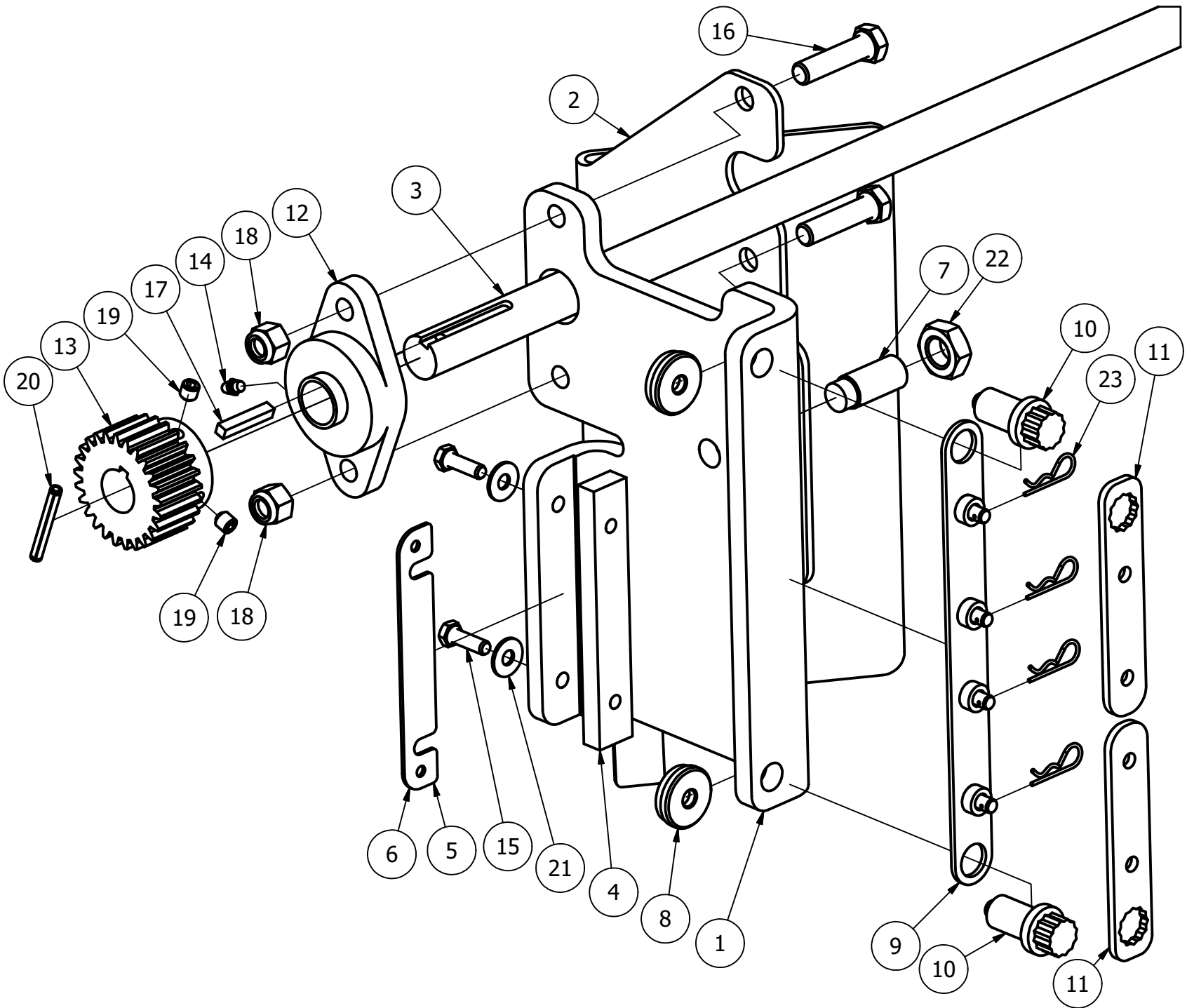


165



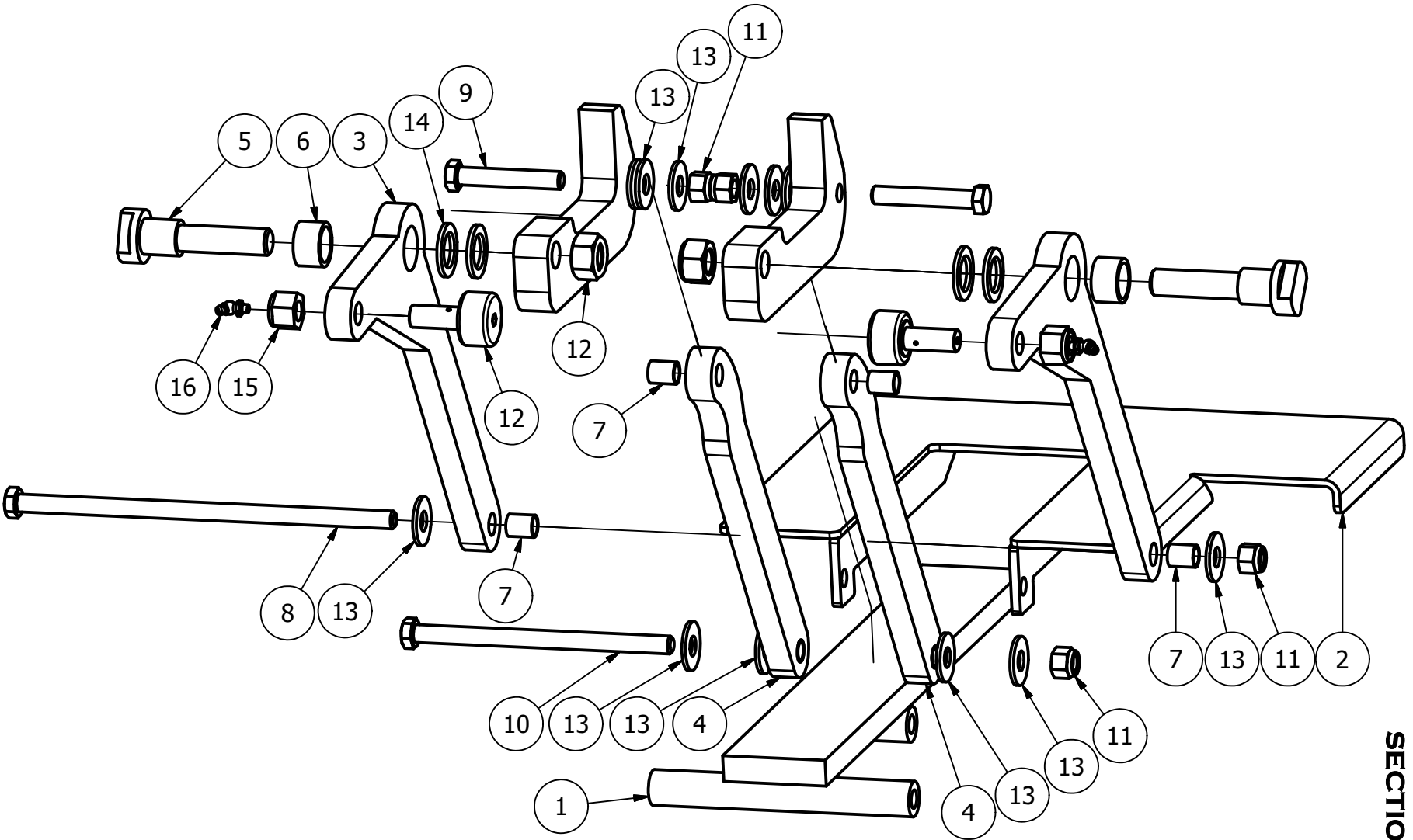


Vertical Plunger Shaft/Gear/Slide Left Assembly			
ITEM	QTY	PART NUMBER	DESCRIPTION
1	1	1-L-0072	Vertical Plunger Bale Guide Bar
2	1	1-L-0077	Main Plate Left Vert Plunger
3	1	1-M-0000AS	Wear Holder Lock Bracket - Left
4	1	1-M-0258	Model 200 - SHAFT FOR VERTICAL PLUNGER
5	1	1-M-0238	Vertical Plunger Stationary Slide
6	1	1-M-0249	Shim, 0.0747" 14ga, Vertical Plunger Stationary UHMW
7	1	1-M-0250	Shim, 0.020", Vertical Plunger Stationary UHMW
8	2	1-M-0269	Flange Head Cap Screw, 0.75" -10 UNC x 1.5" Full Thread, 12 Point
9	2	1-M-0270	Wear Holder Lock Wrench
10	1	1-M-Assembly-053	Setscrew, Wear Holder for Vertical Plunger, 3/4"-10 UNC - White Insert - Vertical Plunger
11	2	1-M-Assembly-071	Large Flat Surface Wear Holder
12	1	1-Y-0055	Bearing, 1"ID W/ Mounting Block
13	1	1-Y-0159	gear, spur - 20 degree pressure angle
14	1	1-Z-0015	Grease Zerk - Straight, self tapping 0.25" - 28
15	2	1-Z-0023	Hex Cap Screw, 0.3125" - 18 UNC X 1"
16	2	1-Z-0045	Hex Cap Screw, 0.5" - 13 UNC X 2.5", GRD 5
17	1	1-Z-0065	Keystock, 0.25" X 1.5" Long
18	2	1-Z-0078	Nylon Lock Nut, 0.5" - 13 UNC
20	2	1-Z-0108	Socket Set Screw Flat Point, 0.375" - 16 UNC X 0.375"
21	1	1-Z-0110	Spring Pin 0.25" X 2" Long
22	2	1-Z-0115	Washer, Flat Normal 0.3125"
24	2	1-Z-0308	Nut Hex Jam 0.75"- 10 UNC, GRD.5
25	4	1-Z-0360	Cotter Pin Hairpin, Fits 5/16"-3/8" Pin Dia, 1-1/2" Length



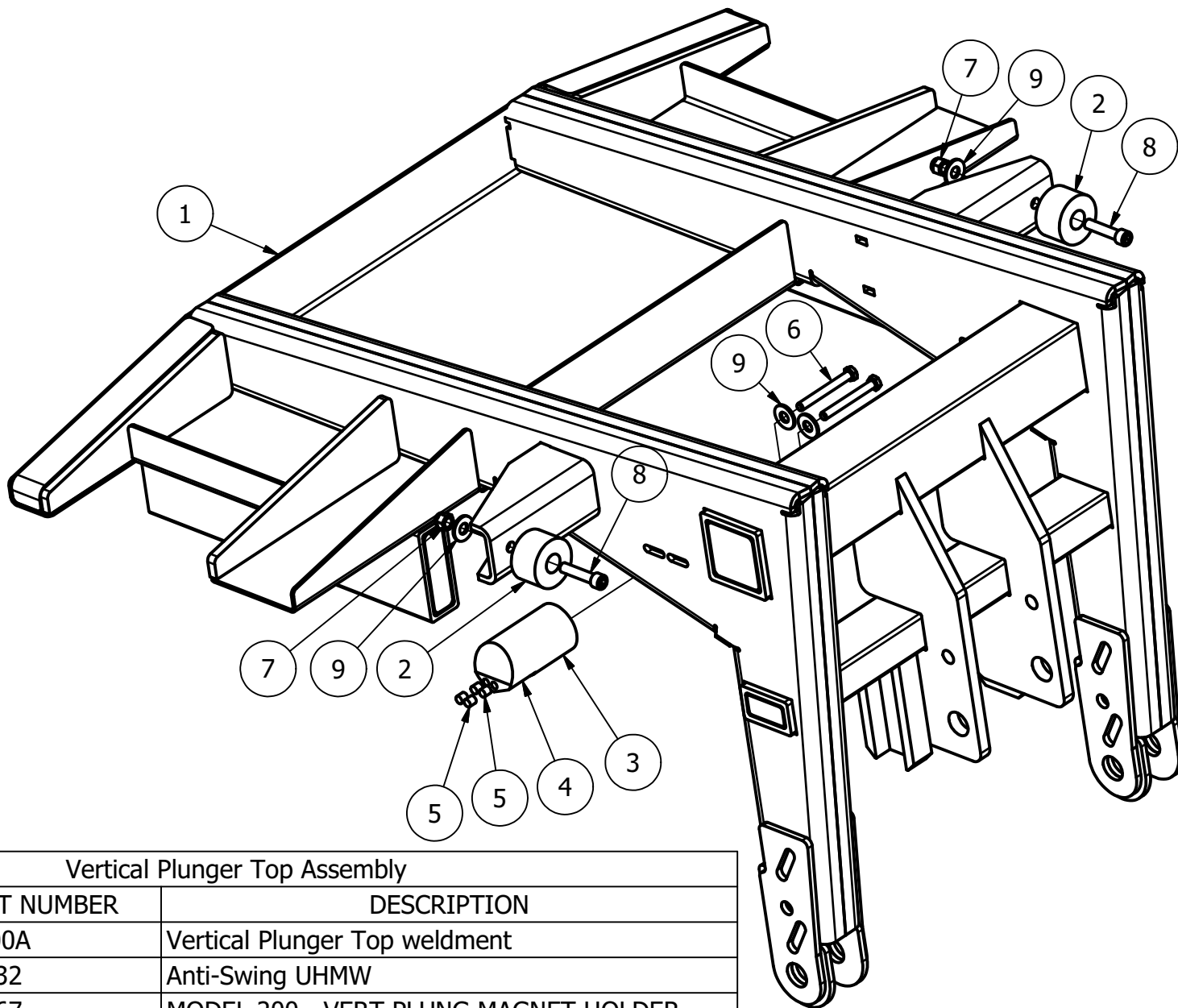


Vertical Plunger Shaft/Gear/Slide Right Assembly			
ITEM	QTY	PART NUMBER	DESCRIPTION
1	1	1-L-0078	Main Plate Right Vert Plunger
2	1	1-L-0082	VERTICAL PLUNGER BALE GUIDE PLATE
3	1	1-M-0258	Model 200 - SHAFT FOR VERTICAL PLUNGER
4	1	1-M-0238	Vertical Plunger Stationary Slide
5	1	1-M-0249	Shim, 0.0747" 14ga, Vertical Plunger Stationary UHMW
6	1	1-M-0250	Shim, 0.020", Vertical Plunger Stationary UHMW
7	1	1-M-Assembly-053	Setscrew, Wear Holder for Vertical Plunger, 3/4"-10 UNC - White Insert - Vertical Plunger
8	2	1-M-Assembly-071	Large Flat Surface Wear Holder
9	1	1-M-0000AR	Wear Holder Lock Bracket - Right
10	2	1-M-0269	Flange Head Cap Screw, 0.75" -10 UNC x 1.5" Full Thread, 12 Point
11	2	1-M-0270	Wear Holder Lock Wrench
12	1	1-Y-0055	Bearing, 1"ID W/ Mounting Block
13	1	1-Y-0159	gear, spur - 20 degree pressure angle
14	1	1-Z-0015	Grease Zerk - Straight, self tapping 0.25" - 28
15	2	1-Z-0023	Hex Cap Screw, 0.3125" - 18 UNC X 1"
16	2	1-Z-0043	Hex Cap Screw, 0.5" - 13 UNC X 2" GRD 5
17	1	1-Z-0065	Keystock, 0.25" X 1.5" Long
18	2	1-Z-0078	Nylon Lock Nut, 0.5" - 13 UNC
19	2	1-Z-0108	Socket Set Screw Flat Point, 0.375" - 16 UNC X 0.375"
20	1	1-Z-0110	Spring Pin 0.25" X 2" Long
21	2	1-Z-0115	Washer, Flat Normal 0.3125"
22	1	1-Z-0308	Nut Hex Jam 0.75"- 10 UNC, GRD.5
23	4	1-Z-0360	Cotter Pin Hairpin, Fits 5/16"-3/8" Pin Dia, 1-1/2" Length



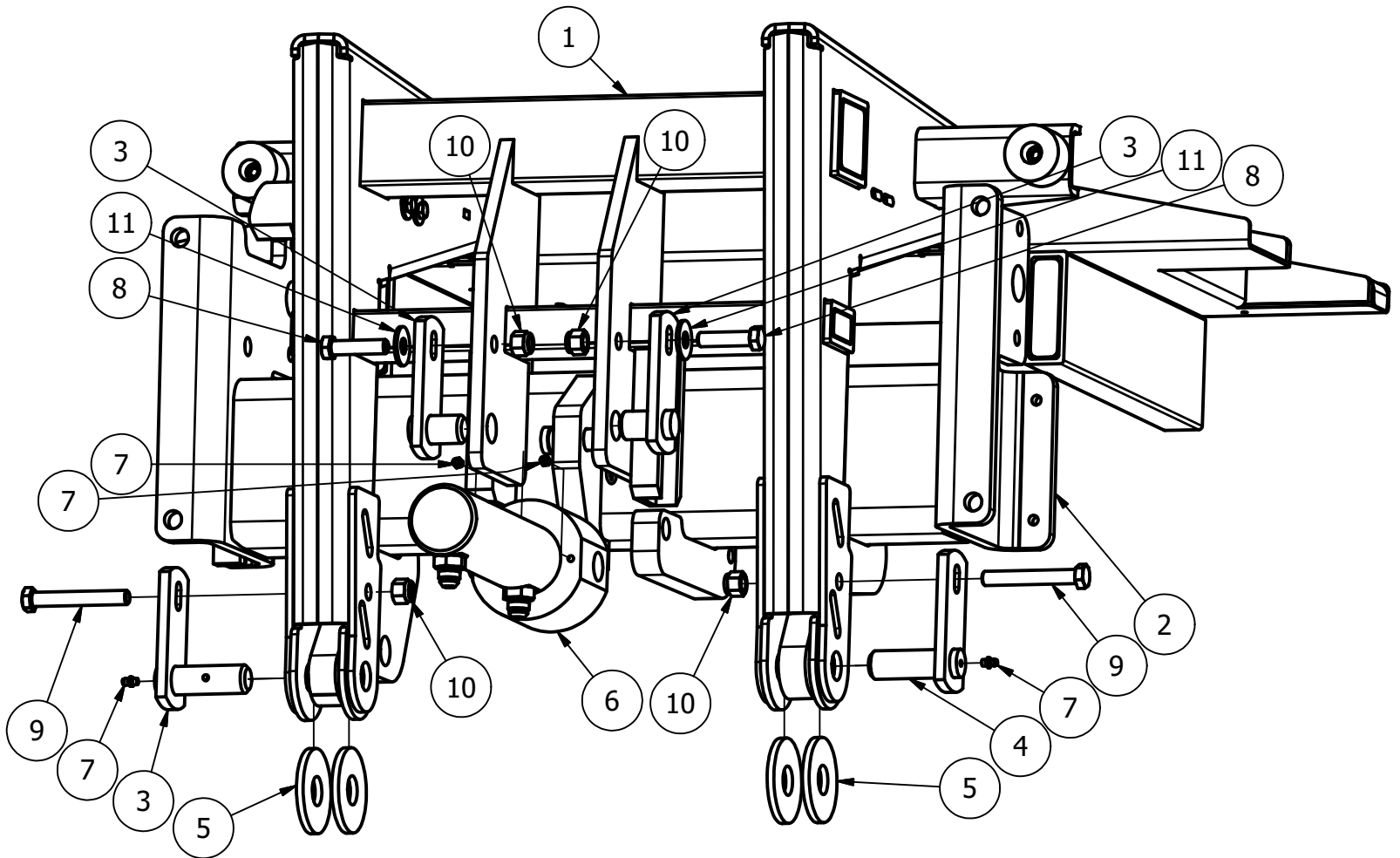


Vertical Swing Table Assembly			
ITEM	QT	PART NUMBER	DESCRIPTION
1	1	1-L-0000D	PIPE FOR SWING TABLE PIVOT LONG
2	1	1-L-0000E	SHEET FOR SWING TABLE
3	2	1-L-0015	VERT SWING DRIVER ARM
4	2	1-L-0035	VERT SWING IDLER ARM
5	2	1-L-0041	VERT SWING DRIVER SHAFT
6	2	1-Y-0063	Bushing, bronze, oil impreg 1IDx1.25ODx.75
7	6	1-Y-0172	Bronze Bushing, .5" ID x .625" OD x .75" Long
8	1	1-Z-0042	Hex Cap Screw, 0.5" - 13 UNC X 11", GRD 8
9	2	1-Z-0046	Hex Cap Screw, 0.5" - 13 UNC X 3", GRD 5
10	1	1-Z-0049	Hex Cap Screw, 0.5" - 13 UNC X 7.5", GRD 8
11	4	1-Z-0078	Nylon Lock Nut, 0.5" - 13 UNC
12	2	1-Z-0080	Nylon Lock Nut, 0.75" - 10 UNC
13	12	1-Z-0118	Washer, Flat Normal 0.5"
14	4	1-Z-0129	Washer, Machine 1" ID x 1.5" OD x 0.125"
15	2	1-Z-0231	Nylon Lock Nut, 0.625" - 18 UNF
16	2	1-Z-0255	Grease zerck self-tapping 45 degree 0.25" - 28



Vertical Plunger Top Assembly

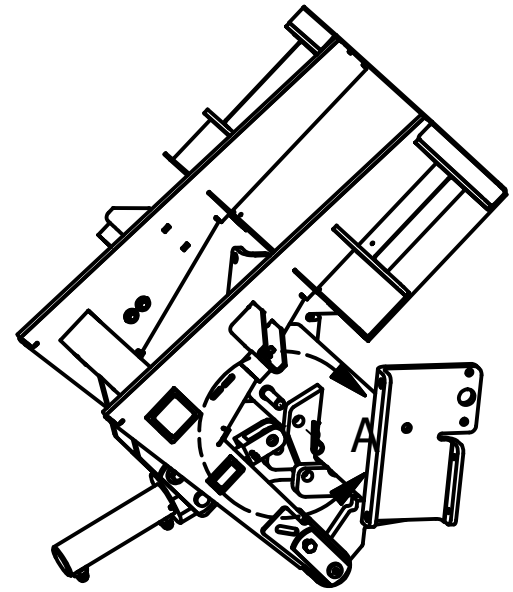
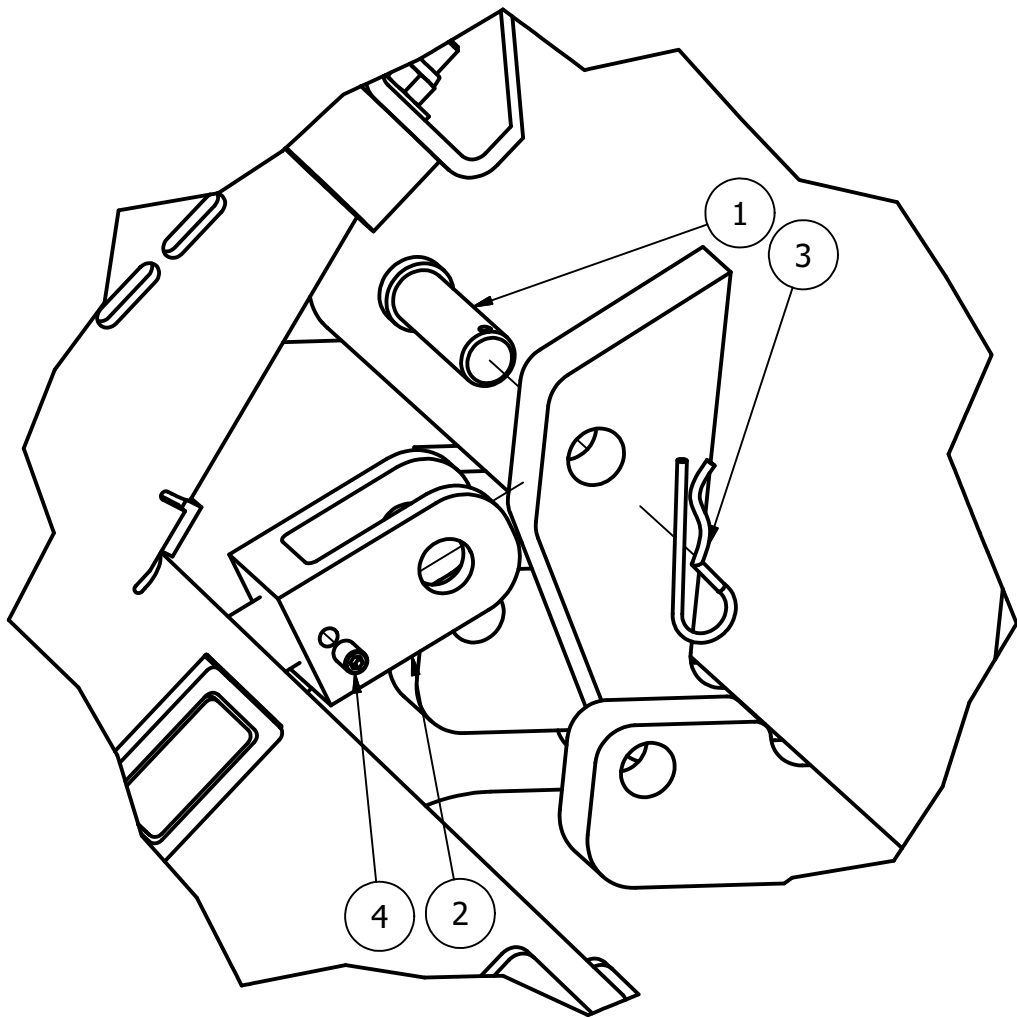
ITEM	QTY	PART NUMBER	DESCRIPTION
1	1	1-L-0000A	Vertical Plunger Top weldment
2	2	1-M-0232	Anti-Swing UHMW
3	1	1-M-0267	MODEL 200 - VERT PLUNG MAGNET HOLDER
4	1	1-M-Assembly-055	Magnet Assembly for Vertical Plunger - Model 200
5	4	1-Y-0202	Magnet w/o housing .33" OD x .33" long NEO38
6	2	1-Z-0025	Hex Cap Screw, 0.3125" - 18 UNC X 2.75"
7	2	1-Z-0077	Nylon Lock Nut, 0.375" - 16 UNC
8	2	1-Z-0097	Socket Head Cap Screw .375"-16 UNC X 1.75"
9	4	1-Z-0116	Washer, Flat Normal .375"



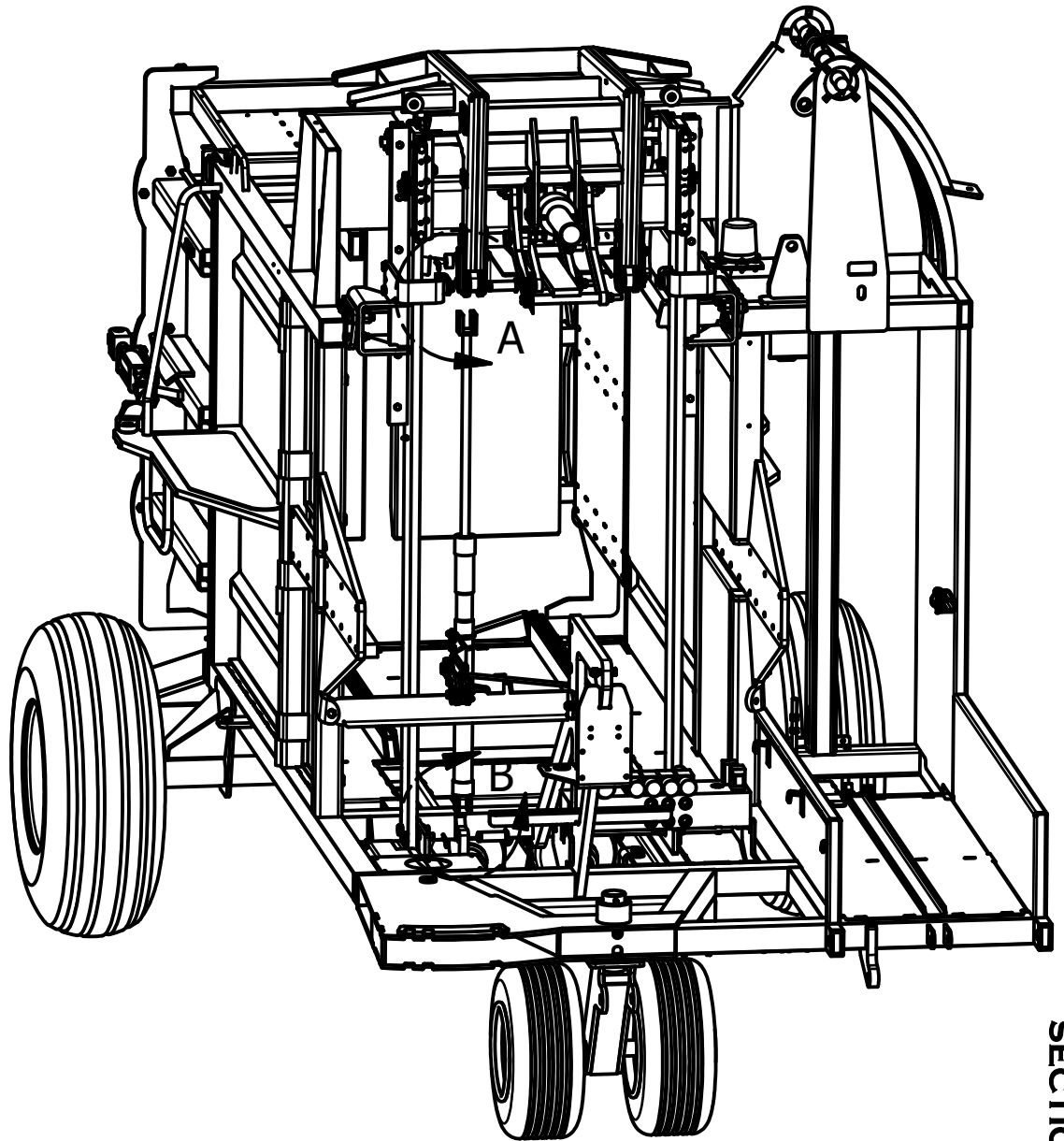
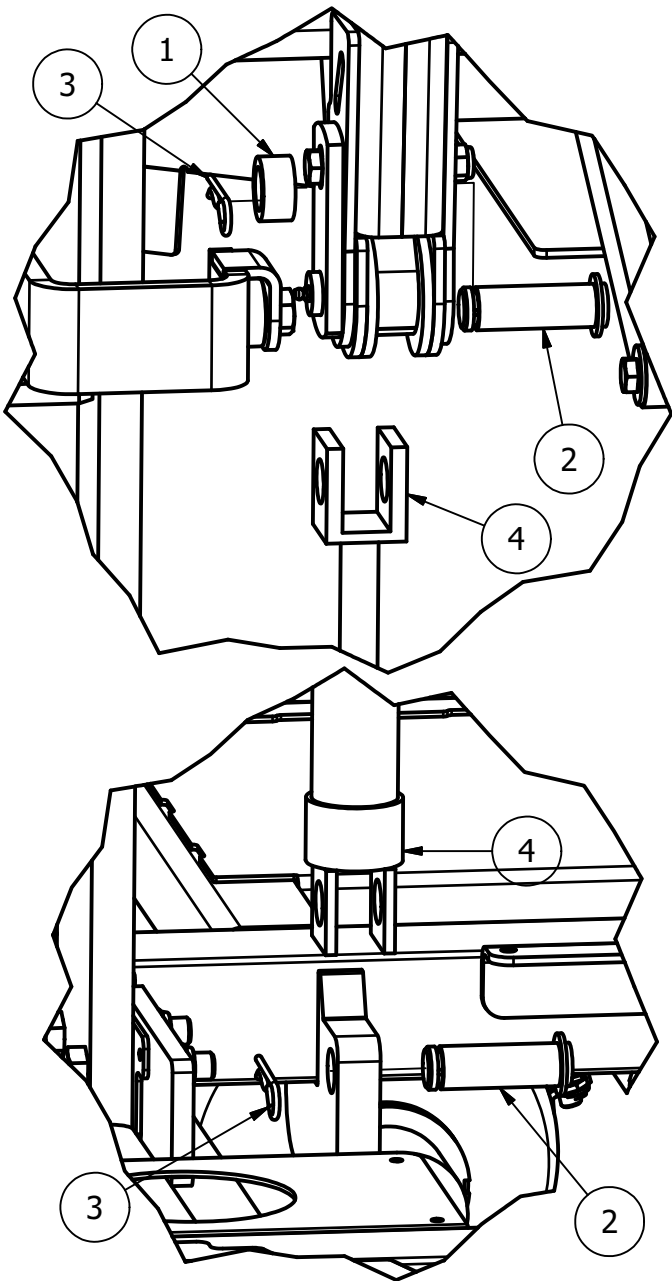
Vertical Plunger Bottom Assembly

ITEM	QT	PART NUMBER	DESCRIPTION
1	1	1-L-0000A	Vertical Plunger Top weldment
2	1	1-L-0000B	Vertical Plunger Bottom weldment
3	2	1-M-0000AJ	Pin Weldment for Vertical Swing Cylinder
4	2	1-M-0000AA	Pin Weldment for Vertical Swing Cylinder
5	4	1-M-0217	Spacer Vert Plunger Main Pivot
6	1	1-Y-0831	Cylinder, Vertical Swing 2" bore 1" rod 6.75" stroke
7	4	1-Z-0015	Grease Zerk - Straight, self tapping 0.25" - 28
8	2	1-Z-0043	Hex Cap Screw, 0.5" - 13 UNC X 2"
9	2	1-Z-0048	Hex Cap Screw, 0.5" - 13 UNC x 3.5"
10	4	1-Z-0078	Nylon Lock Nut, 0.5" - 13 UNC
11	2	1-Z-0118	Washer, Flat Normal 0.5"





Vertical Plunger Swing Cylinder Assembly			
ITEM	QT	PART NUMBER	DESCRIPTION
1	1	1-Y-0135	Pin, Clevis .75" OD x 1.766" Usable, 2" Overall Length
2	1	1-Y-0831	Cylinder, Vertical Swing 2" bore 1" rod 6.75" stroke, Cushioned Stroke
3	1	1-Z-0001	Cotter, Hair Pin 0.148" Wire Dia, Fits 0.75" Shaft
4	1	1-Z-0131	Socket Set Screw Flat Point, 0.3125" - 18 UNC X 0.5"



Vertical Plunger Cylinder Assembly

ITEM	QT	PART NUMBER	DESCRIPTION
1	1	1-M-0251	Upper Vert Plunger Cylinder Pin Spacer
2	2	1-Y-0136	Pin, Cylinder 1"OD x 2.75" Usable with weld on washer end
3	2	1-Z-0001	Cotter, Hair Pin 0.178" Wire Dia, Fits 1" Shaft
4	1	1-Y-0089	Cylinder, Vertical Plunger 1.5" Bore, 0.875" Rod x 25.5" Stroke



End of

Parts Manual

Model 200

Version 2.05

For more information, contact us at



P.O. Box 492
Alpena, MI 49707
(217) 285-6487
www.balebandit.com
sales@balebandit.com