

## ROTATION STOP-TORSION SPRING



### ROTATION STOP- TORSION SPRING

3-210-2151

- For use with 58 mm hollow shaft encoders
- Universal bracket
- Steel



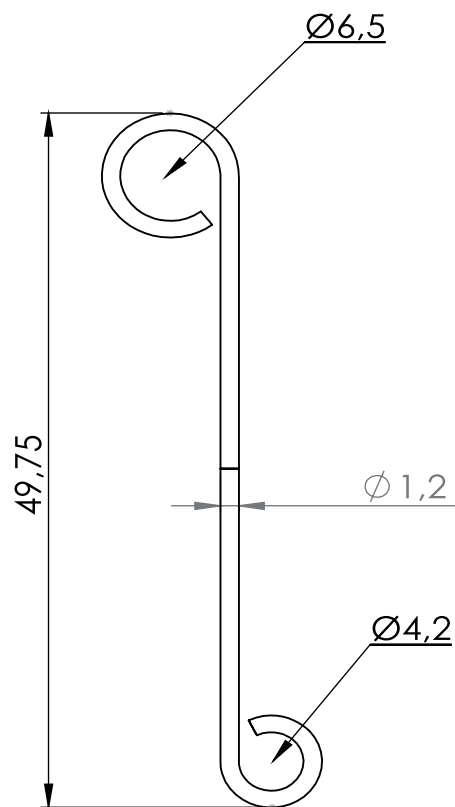
*Flexible and durable  
encoder for demanding  
applications*

**CE** **RU** **US** File E342441

**CE** Conforms to european EMC directive  
89/336/EEC standards:  
EN61000-6-4 emission in industrial environments  
EN61000-6-2 immunity in industrial environments

# DESCRIPTION ROTATION STOP-TORSION SPRING 3-210-2151

---



**3-210-2151**  
Rotationstop - torsion spring

---

## ORDERING KEY

3-210-2151



Skogsvägen 1, SE-645 34 Strängnäs, Sweden  
Tel: +46 152 33 11 90 Fax: +46 152 33 11 91  
E-mail: [info@emetaencoders.com](mailto:info@emetaencoders.com)  
[www.emetaencoders.com](http://www.emetaencoders.com)