

STATOR COUPLING



STATOR COUPLING

3-221-1121

- For use with hollow shaft encoders
- Suitable for use with:
 - MA200-Series
 - MB480 and MB490-Series
- Steel

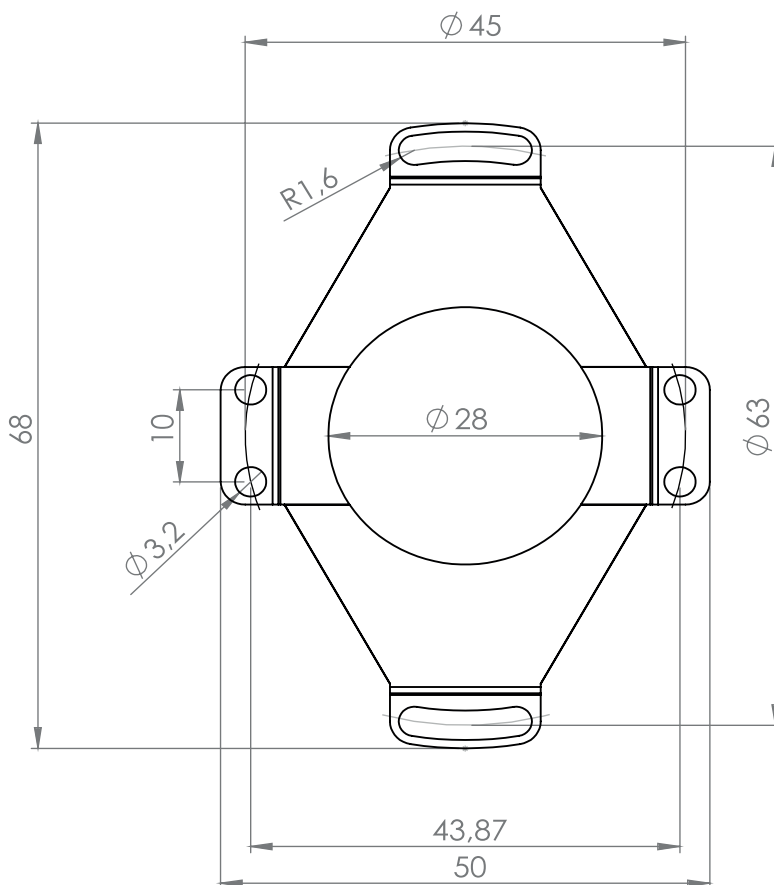


*Flexible and durable
encoder for demanding
applications*

UL File E342441

CE Conforms to european EMC directive
89/336/EEC standards:
EN61000-6-4 emission in industrial environments
EN61000-6-2 immunity in industrial environments

DESCRIPTION STATOR COUPLING 3-221-1121



3-221-1121
Stator coupling

ORDERING KEY

3-221-1121



Skogsvägen 1, SE-645 34 Strängnäs, Sweden
Tel: +46 152 33 11 90 Fax: +46 152 33 11 91
E-mail: info@emetaencoders.com
www.emetaencoders.com