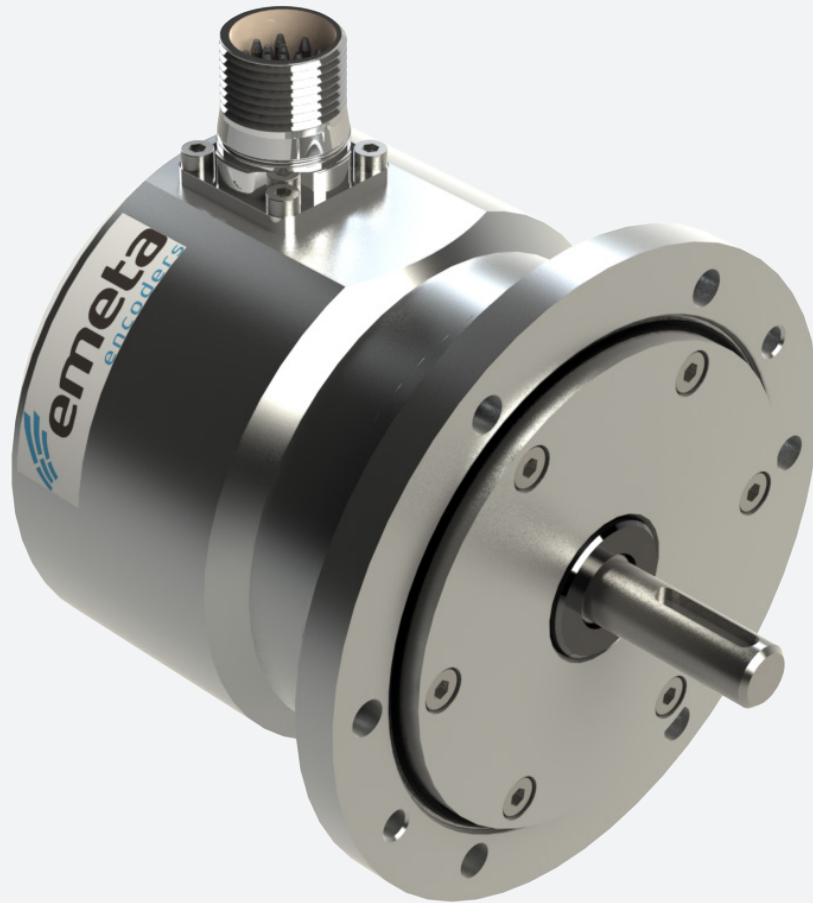


MA431 - SERIES



HEAVY DUTY ABSOLUTE ENCODER Ø 115 MM, SINGLE OR MULTITURN

Encoder with EURO-flange B10 in stainless steel AISI 316

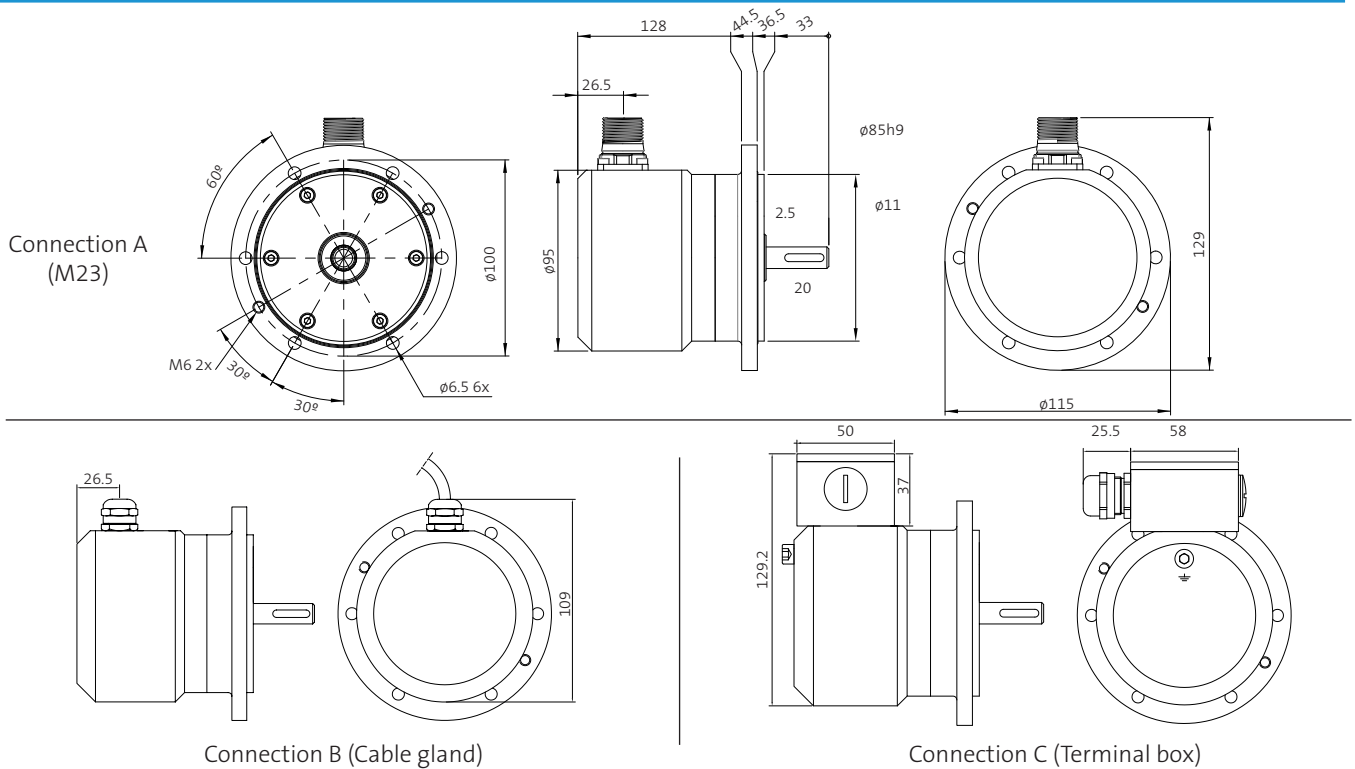
- CANopen, DS406
- Offshore and salt water firm
- Ø 115 mm, B10 stainless steel AISI 316
- Ø 11 mm shaft with key way, stainless steel 1.4057
- Enlarged sturdy bearings
- Short circuit and reversed polarity proof
- Dust & splash proof IP67
- High resolution up to 25 bit
- Optional anodized aluminium enclosure



*Flexible and durable
encoder for demanding
applications*



Conforms to european EMC directive
89/336/EEC standards:
EN61000-6-4 emission in industrial environments
EN61000-6-2 immunity in industrial environments



ELECTRICAL SPECIFICATIONS

Supply Voltage	10–30 Vdc (EN50178)
Interface	CANopen (DS-406)
Resolution Singleturn	16 bit
Revolutions Multiturn	14 bit
Multiturn Technology	Mechanical Gear
Singleturn Accuracy	±½ LSB (up to 12 bit)
Interface Cycle Time	> 1 ms
Power Consumption	Max. 2,5 W
Start up Time	< 250 ms

MECHANICAL SPECIFICATIONS

Housing	Stainless steel AISI 316
Shaft	Stainless steel 1.4057
Encapsulation	IP67
Operating temperature	-30°C to +70°C
Bearings	Permanently greased
Bearing load at Radial	1 000 rpm <350 N
Axial	<250 N
Max rpm	3 000 rpm
Vibration	10g 20-2000 Hz (EN60068-2-6)
Shock	100g at 6 ms (EN60068-2-27)
Weight	3,6 kg (AISI316), 1,5 kg (Aluminium)

PROGRAMMABLE FUNCTIONS

Resolution, Preset, 2 limit switches, 8 CAMS, Baud rate, CAN-Identifier, Bootloader, Transmission modes: polled, cyclic, sync

CONNECTION

	A	B	C
Signal	Pin	Color	Pin
CAN Ground	3	Green	2
CAN High	7	Yellow	3
CAN Low	2	Pink	4
CAN Ground	NA	NA	9
CAN High	NA	NA	8
CAN Low	NA	NA	7
+ V	12	White	1
0 V	10	Brown	10

ORDERING KEY

Model - Material - Connection - Interface - Resolution

Model	MA431		
Material	S	Stainless Steel	
	A	Aluminium	
Connection	A	16-pin M23 Male Connector CW	
	B	Radial Cable 5 meter length	
	C	Terminal box, for 6-12mm cable	
Interface	C	CANopen	
Resolution	YY	YY bit (00 indicates singleturn)	
	ZZ	ZZ bit	

Sample ordering key
 MA431-SA-C0012
 MA431-SB-C1213

CANopen, Singleturn
 CANopen, Multiturn, Radial cable 5m



Skogsvägen 1, SE-645 34 Strängnäs, Sweden
 Tel: +46 152 33 11 90 Fax: +46 152 33 11 91
 E-mail: info@emetaencoders.com
 www.emetaencoders.com