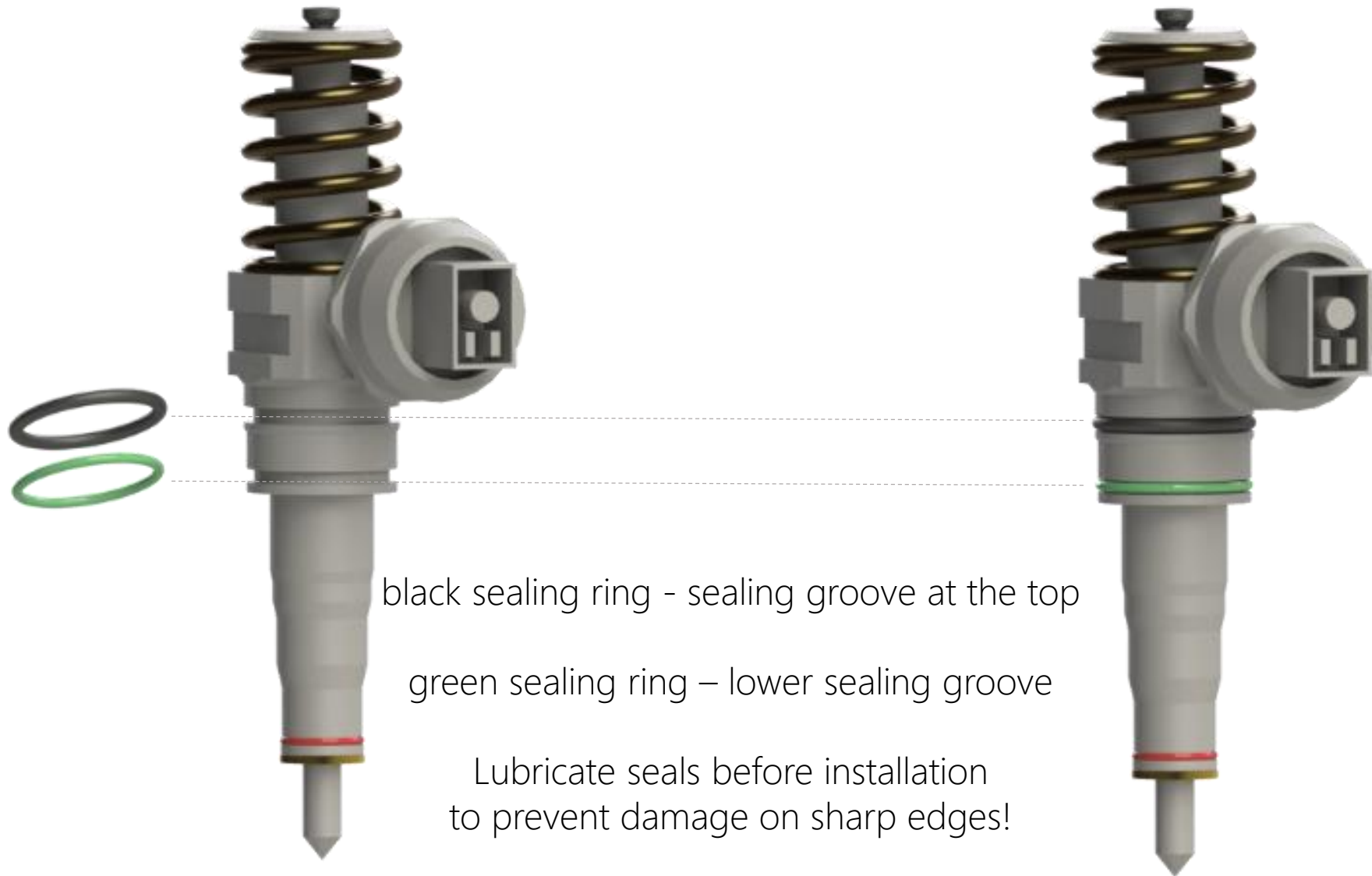


Installation instructions VITON sealing set



# pumpe düse abhilfe.

[Reinforced VITON PDE seals – 07eins GmbH](#)

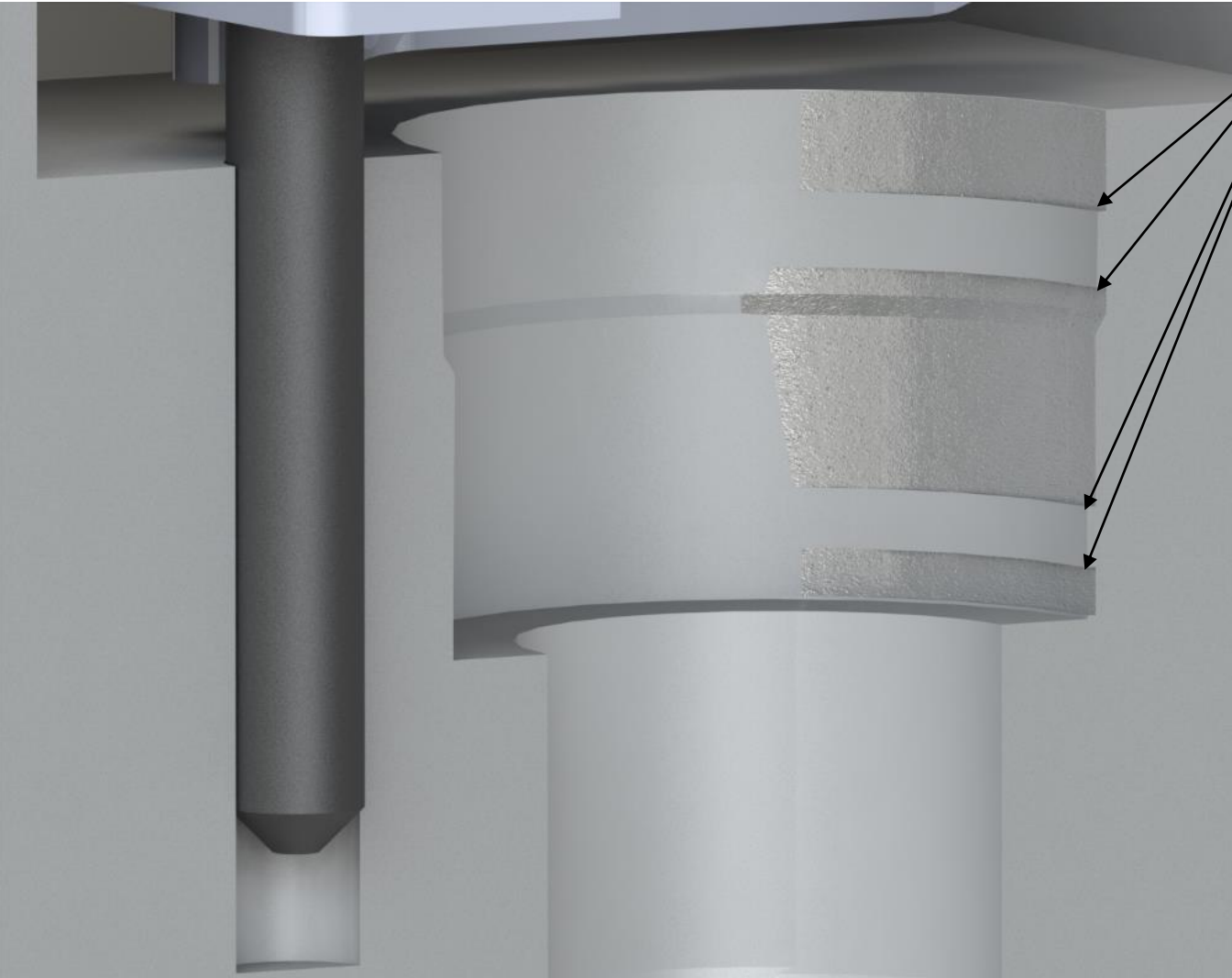


black sealing ring - sealing groove at the top

green sealing ring - lower sealing groove

Lubricate seals before installation  
to prevent damage on sharp edges!

## Unit injector seats:



In case of sharp burr on these edges:  
smooth burr!  
(prevents damage to the new sealing rings during later installation)

Example:

- Abrasive cloth, moistened with oil, grit >800  
close the deep injector hole beforehand so that no abrasion  
can get into the combustion chamber  
meticulous attention to cleanliness!

**ATTENTION:** Never grind down elevations - these are the  
original sealing surfaces!

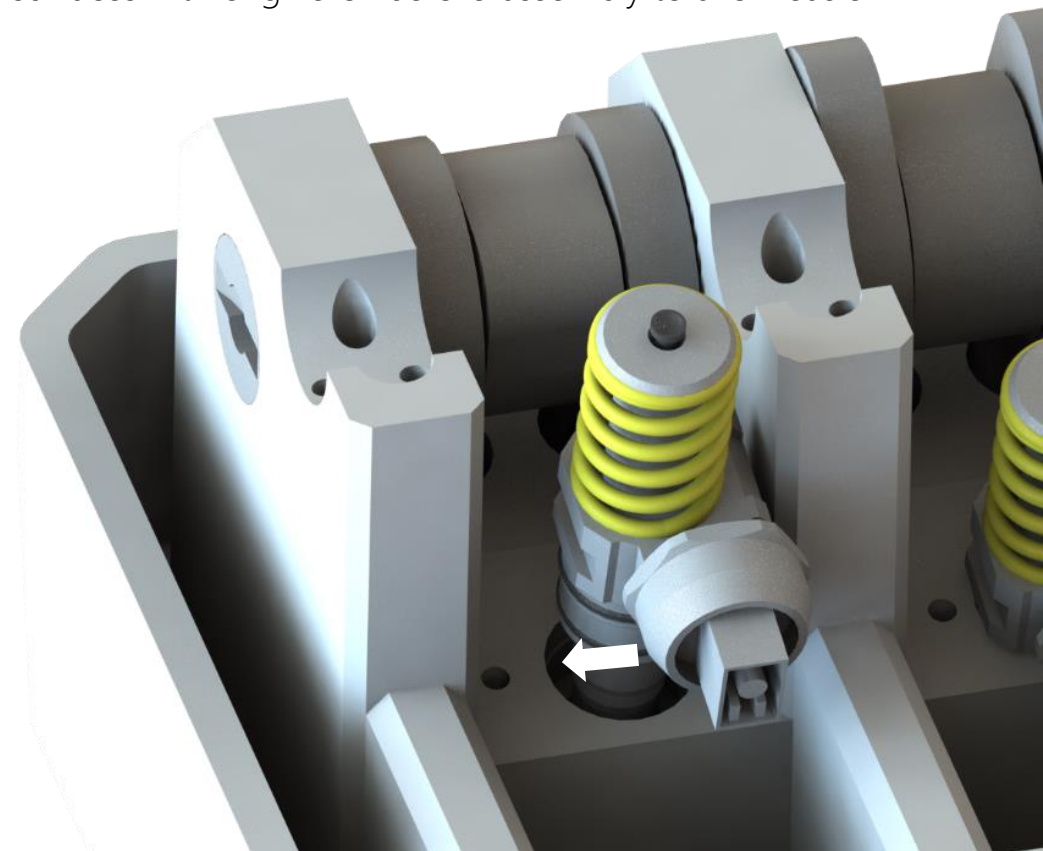
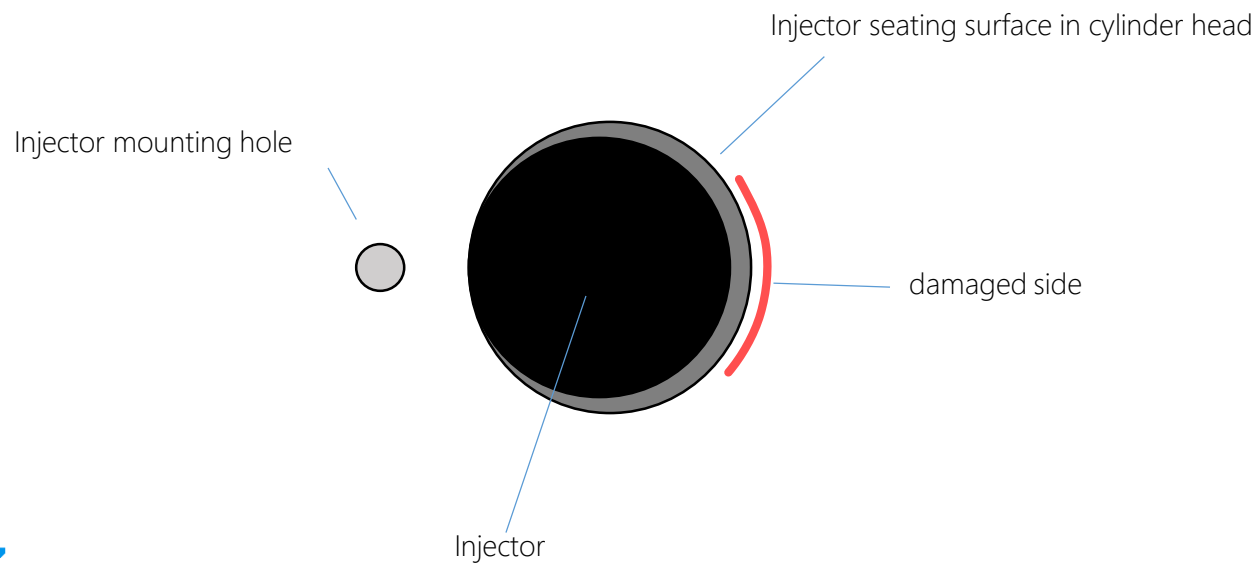
Only break sharp edges - do not remove any material!

## Installation of the unit injectors

Attention! Careful insertion of the injectors represents a central point for the success of the repair. Injuries/damage to the ring seals lead to deviating injection quantity values of the injectors and are by far the most frequent cause of failed repair attempts. In the case of the reinforced sealing rings with enlarged cord diameter, additional attention must be paid to a clean and careful assembly, as the larger sealing rings can be injured even more easily at the existing inlet marks!

Assembly tip:

Move the injector to be inserted to the left side of the seating surface during insertion so that the grooves, which are always on the right, can exert as little pressure as possible on the sealing cord during insertion. Be sure to wet the seals and seating surfaces with engine oil before assembly to allow easier insertion.



Note: The professional revision and disassembly of the unit injectors requires the use of new screws and sealing elements. If required, selected complete sets of consumables in excellent quality are available at the following link:

[Link - 07eins Assembly kits](#)





# pumpe düse abhilfe.

powered by



© 07eins GmbH, <https://07eins.com/pages/pumpe-duese-abhilfe>