

Gasmate®

PHOENIX DROP IN BBQ HOOD

Model NO. BQ2047BLHD

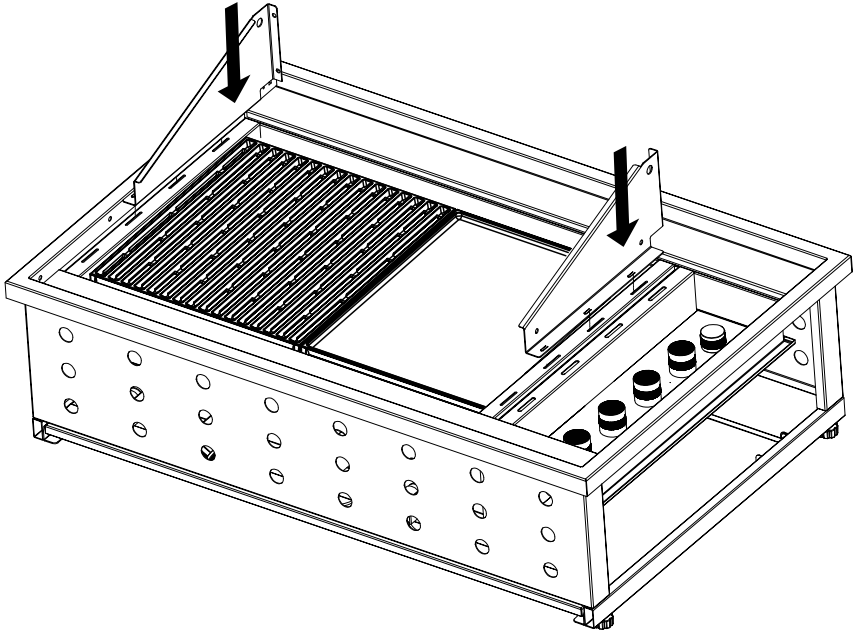


Important: Retain these instructions for future use.

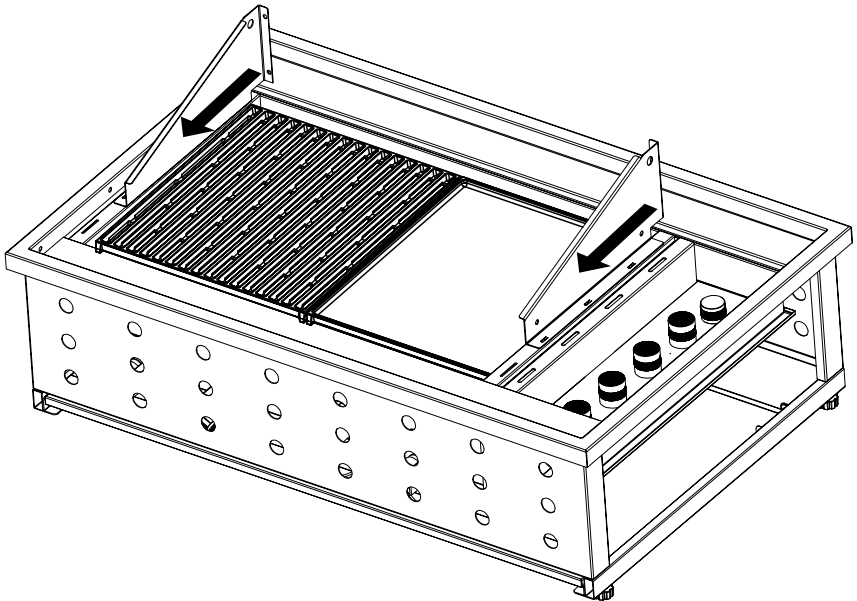
Gasmate® is a registered trademark of
Sitro Group Australia Pty Ltd www.gasmate.com.au
Aber Living, N.Z. www.gasmate.co.nz

04637 08/23

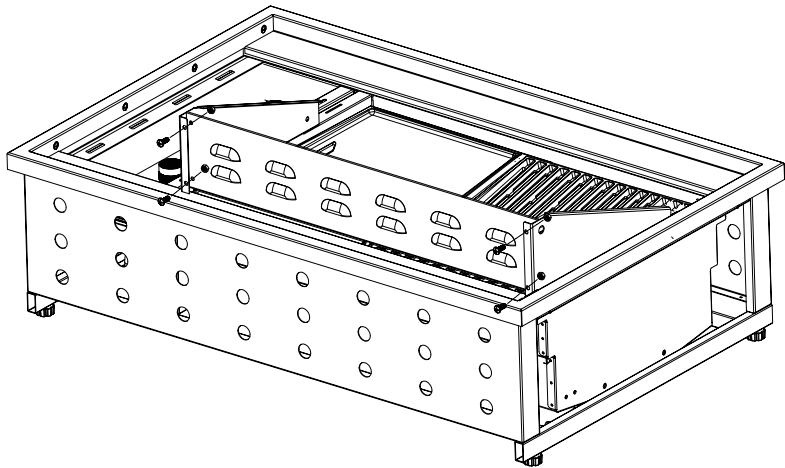
1



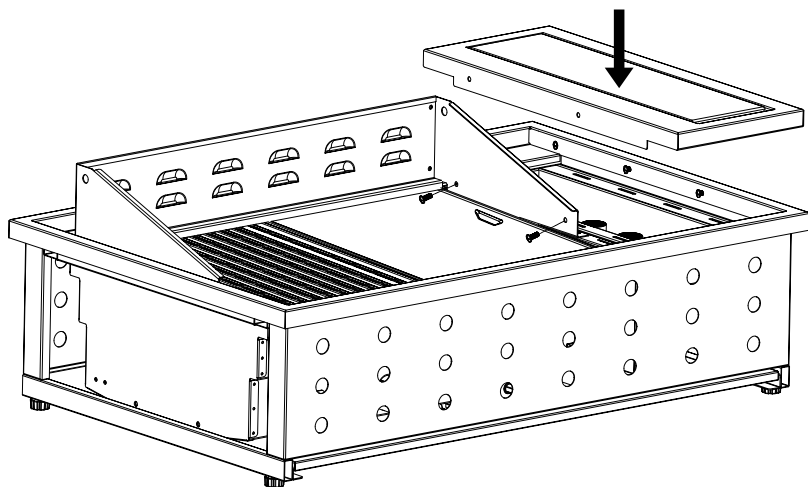
2



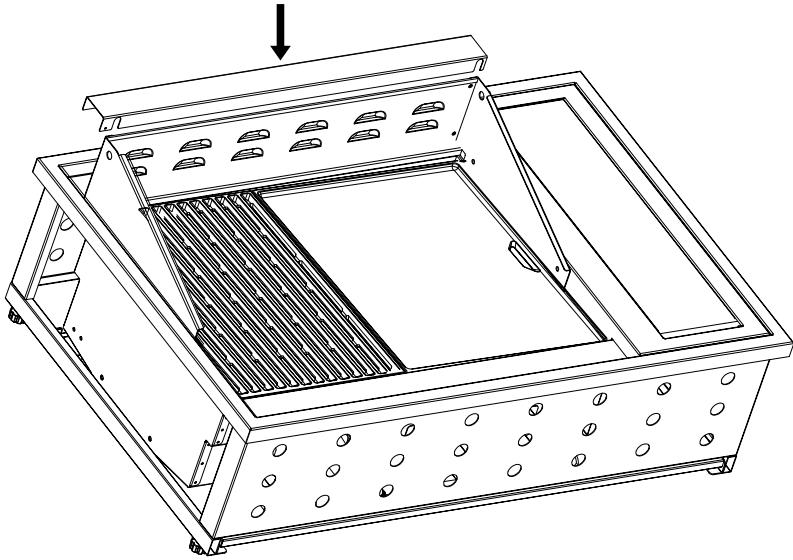
3



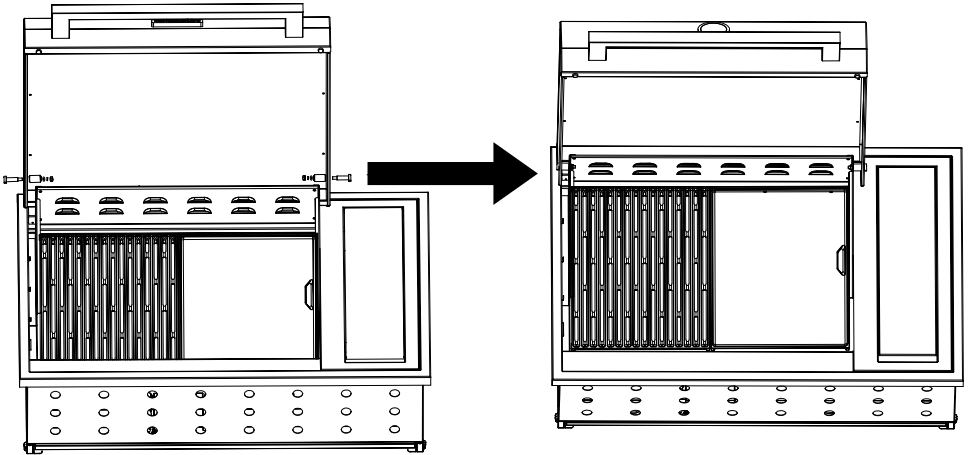
4



5



6



For any queries or assistance call



Customer Service
(Australia Only)

1300 174 876

Hours of operation: Monday to Friday 8am - 5pm EST

Do not return to place of purchase.

Keep your purchase receipt, this will be required to make any claims under the 12 month warranty.