

DROP IN SIDE-BURNER IN BLACK

SIR-DSG0010-BLK



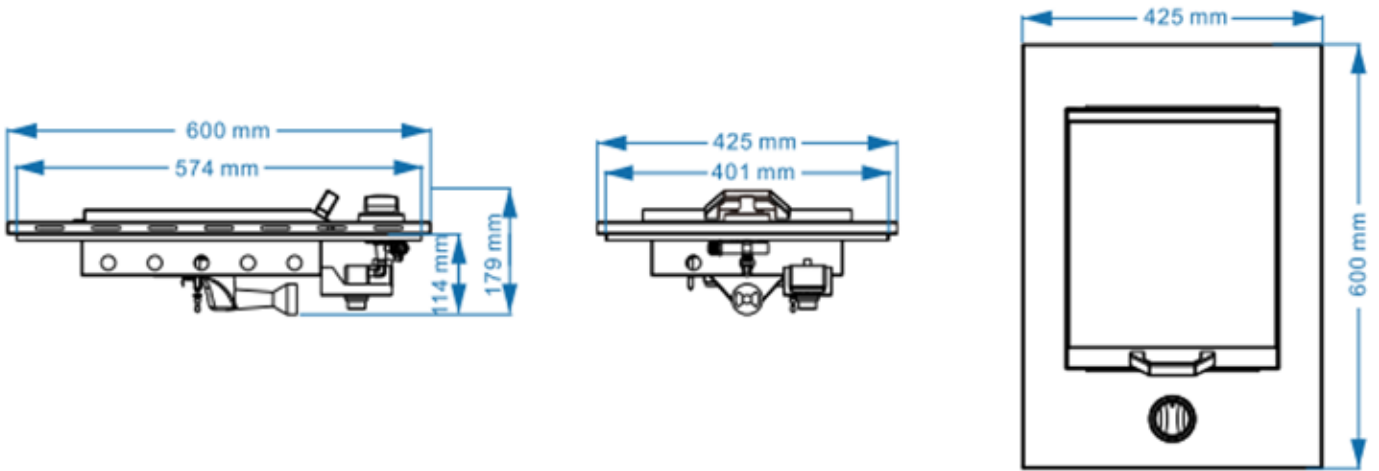
WARRANTY PERIOD	2 Years
1 SIDE BURNER	1 cast iron burner
IGNITION SYSTEM	Comfort ignition system
CONTROL KNOB	Back lit control knob
BLACK POWER COATING AND ENAMEL	Heat resistant black powder coated finish.
LPG JETS FITTED. CAN BE CONVERTED TO NATURAL GAS	The BBQ comes equipped for LPG out of the box and can be converted for usage with Natural Gas by an authorised professional. (Conversion kit needs to be purchased separately)
MODEL	SIR-DSG0010-BLK
BBQ CONSTRUCTION	Black power coating and enamel
TUBE BURNERS	Cast iron
TOTAL GAS CONSUMPTION (LPG)	11.5mj/h
TOTAL GAS CONSUMPTION (NATURAL GAS)	12.5mj/h
IGNITION	Comfort ignition system with flame failure device fitted
GRILL MATERIALS	Stainless Steel
TOTAL COOKING AREA	(w) 268mm x (d) 355mm
OPEN S/S GRILL DIMENSIONS	(w) 268mm x (d) 355mm - Quantity of 1 supplied
PRODUCT DIMENSIONS (AS ABOVE)	(W) 425mm x (D)600 x (H) 179mm Dimensions will vary for different install methods

DISTRIBUTED BY ARISIT PTY LTD

40-50 Mark Anthony Drive, Dandenong South VIC 3175
Ph: 1300 762 219 Fax: 03 9768 0838 Website: www.arisit.com

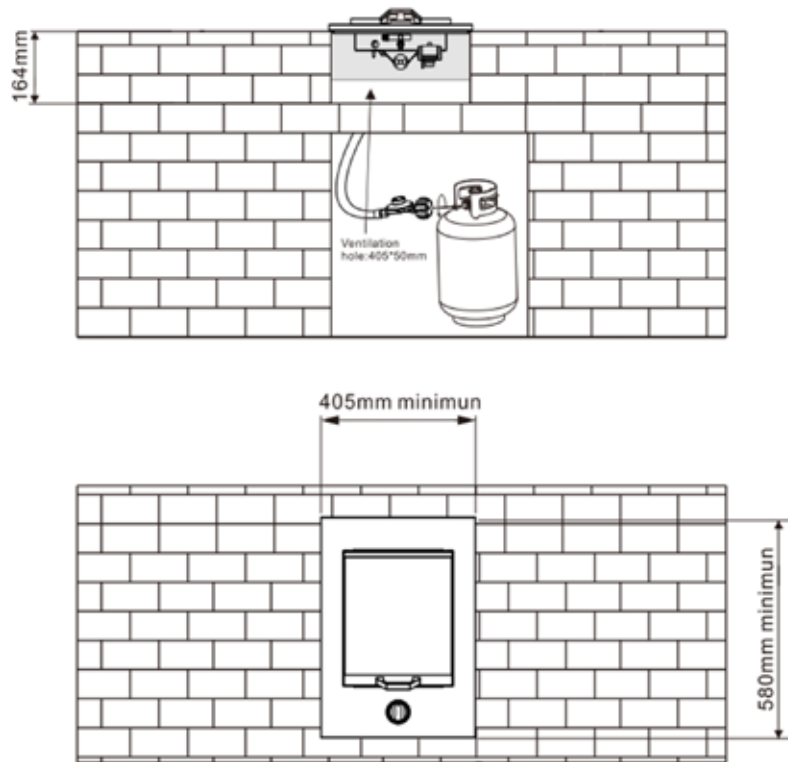
DROP IN SIDE-BURNER IN BLACK

SIR-DSG0010-BLK



* Dimensions will vary for different install methods due to different fittings

INSTALL METHOD



BBQ Sits Directly Onto Cabinetry
Recommended Cut Out Dimensions:
(w) >405mm x (h) 580mm x (d) 164mm

WARNING: Technical specifications and product sizes can be varied by the manufacturer without notice. Cut outs for appliances should only be physical product measurements. The above information is indicative only.
This BBQ can only be operated in outdoor environments. Minimum clearances to combustible materials must be maintained.
For Natural Gas Conversion please refer to the product user manual. This processed should only be done by an authorised professional.

DO NOT CUT YOUR CABINETRY OR BENCH TOPS UNTIL YOU HAVE PHYSICALLY RECEIVED YOUR SIRIUS BBQ TO ENSURE OPTIMUM RESULTS. THE CUT OUT DIMENSIONS PROVIDED ON THIS SHEET ARE INDICATIVE ONLY AS REQUIREMENTS FOR EACH INSTALL WILL VARY. UPON RECEIVING YOUR SIRIUS BBQ, INDIVIDUALLY MEASURE THE RELEVANT SECTIONS TO ENSURE OPTIMUM FITTINGS.