

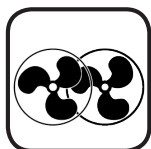
1200mm ALFRESCO ONBOARD RANGEHOOD STAINLESS STEEL FINISH

SIL25FRESCO 1200



MARINE GRADE: Sirius offers a selection of extraction motors and alfreSCO hoods in a marine-grade finish. If you live within 5km of the coast, your motor and hood will be functional for years to come with a marine grade rangehood.

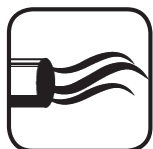
Rangehood type	AlfreSCO/Island
Control	Button
Speed settings	4
Ducting diameter	200mm
Extraction type	Onboard motor
Motor	Twin aluminium motor
Extraction	2400m ³ /h
Filter	25mm stainless steel baffle
Lighting	6 x adjustable LED
10 minute run-on timer	Yes
Electrical requirement	10A
Noise level	64dB
Dimensions (mm)	W1200 x D700 x H820-1250
Warranty	3 years (6 years when Sirius ducting is used)



TWIN MOTOR



25mm BAFFLE FILTERS



2400m³/h AIRFLOW



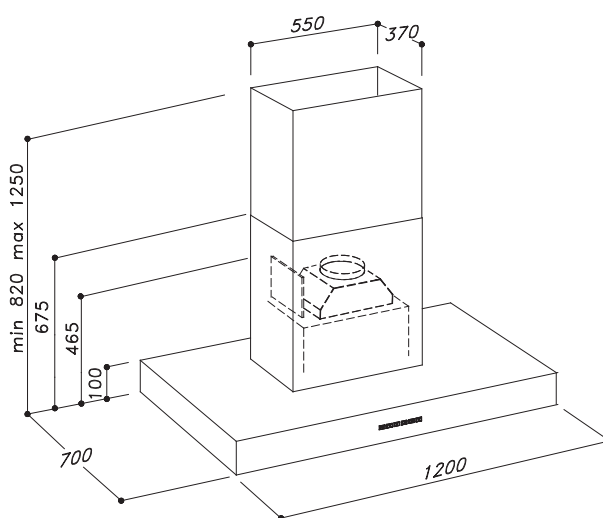
REMOTE CONTROL



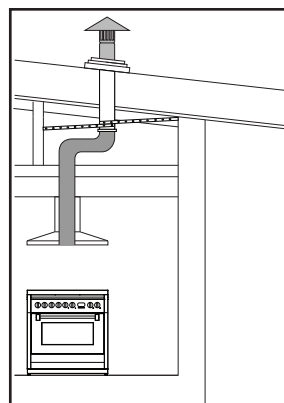
LED LIGHTING



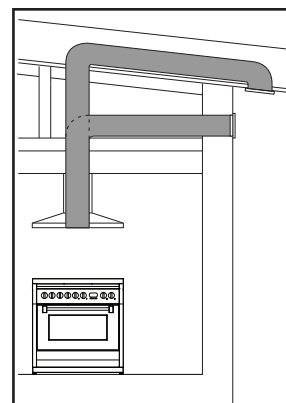
HANDCRAFTED IN ITALY



Ducting options



Roof ducted



Eave or Wall ducted

- Use semi-rigid or rigid ducting, not fully flexible foil ducting.
- Fewer bends means a quieter and more powerful extraction
- Extra 3 years warranty when Sirius ducting is used (total 6 years)
- See [support page](#) on Sirius website for installation videos and FAQs

WARNING: technical specifications and product sizes can be varied by the manufacturer, without notice. Cut outs for appliances should only be by physical product measurements. The above information is indicative only.

Distributed by Arisit Pty Ltd

40-50 Mark Anthony Drive, Dandenong South VIC 3175

Ph: 1300 762 219

Fax: 03 9768 0838

Website: www.arisit.com

www.siriusbrand.com