

Excelair

By Excelsior

Infrared Outdoor Heater Instruction Manual



Model: EOHA24R

IMPORTANT INFORMATION

Please carefully read the Operation Manual before using the infrared heater. This Operation Manual contains the important information on your safety, as well as some recommendations on proper use of the appliance and its maintenance.

TABLE OF CONTENTS

CONTENTS	PAGE 2
SAFETY INSTRUCTIONS	PAGE 3-4
MAIN FEATURES	PAGE 5
TECHNICAL SPECIFICATIONS	PAGE 5
HEATING AREA	PAGE 6
BEFORE OPERATION	PAGE 7
HEATING COMPONENTS	PAGE 8
OPERATING THE HEATER	PAGE 9-12
INSTALLATION	PAGE 13-17
MAINTENANCE	PAGE 18
WIRING DIAGRAM	PAGE 18
TROUBLESHOOTING	PAGE 19
WARRANTY INFORMATION	PAGE 20

WHAT'S IN THE BOX

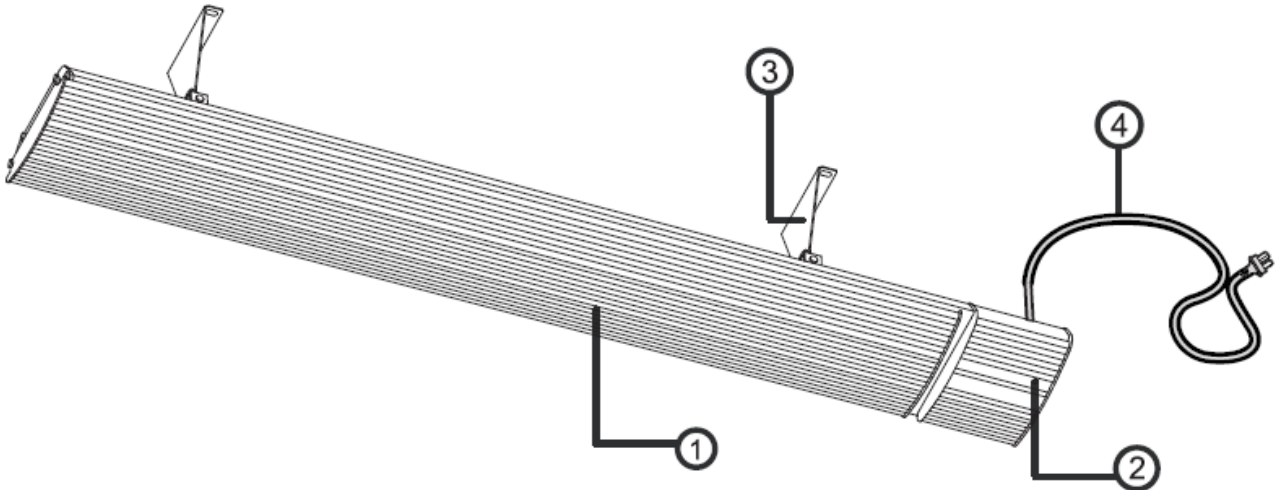
- Heater fitted with flexible cord and plug.
- Operating and Installation Instructions.
- One small box contains 2 sets of Brackets.
- One remote controller

SAFETY INSTRUCTIONS

- During use of the infrared heater, it is necessary to observe some precautions. Improper operation with disregard of precautions may result in infliction of harm to health of the user and other people, as well as in infliction of damage to their property.
- Use only the voltage specified on the rating plate of the heater.
- ONLY connect the appliance to a properly installed socket-outlet with earth contact.
- The heater should be connected to the electric mains equipped with an automatic circuit breaker.
- The unit must be handled with care, and avoid vibration or hitting.
- **WARNING: FIRE RISK EXISTS IF THE HEATER IS COVERED BY OR POSITIONED CLOSE TO CURTAINS OR OTHER COMBUSTIBLE MATERIALS.**
- Do not use the appliance areas where gasoline, paint, explosives or other flammable liquids are used or stored.
- Do not use the appliance in a building site, green house, barn or in animal stables.
- Do not use the appliance as a sauna heater.
- Do not use this unit in the place of animal propagating and rising.
- **WARNING:** Do not touch the radiating plate. Temperature of radiating boards during operation of the heater may reach 380 °C. To avoid burns, do not touch the appliance surface by hand and other body parts. It is also necessary to avoid touching the heater whilst the appliance is switched on, as severe burns may result. The appliance can take up to 1 hour to cool down after switching it off.
- Do not place any items of clothing, hand towels or similar over the heater to dry. Risk of overheating and fire hazard.
- Do not leave the heater unattended whilst in use.
- Do not use this heater on a wet surface, or where it can fall or be pushed into water.
- Do not reach for an appliance that has fallen into water. Switch off at supply and unplug immediately.
- If the supply cord is damaged, it must be replaced by a licensed electrician.
- If the heater is defective, it must be returned to the place of purchase.
- Do not operate appliance with wet hands.
- Use this appliance only as described in this manual. Any other use is not recommended by the manufacturer and may cause fire, electric shock or injury.
- Do not use abrasive cleaning products on this appliance. If the body becomes dirty, wipe off dust with a cloth, and the radiating boards should be wiped in cold condition with a damp soft cloth. Always remove plug from the mains supply before cleaning.
- The heater must be installed at least 2.2 m above the floor.
- The heater must not be located immediately below a socket-outlet. Socket-outlet should not be located at the back of the heater. They should be located outside the physical footprint of the units to minimize heat build-up behind the heater.

- The installation must be equipped with a standard electrical power point with a break contact distance of at least 3mm. The standard power point must be installed by a licensed electrician.
- If the heater is to be mounted on an incline (eg. Sloping or angled ceiling), ensure the electrical connection is located at that lowest point of the heater.
- Do not connect the appliance to the mains source until it has been installed in its final location and adjusted to the position it will be used in.
- Do not operate with the cord coiled up as this could cause a buildup of heat, which could pose a hazard.
- The use of an extension cord with this appliance is not recommended.
- Do not allow cord to come in contact with heated surfaces during operation.
- Do not run cord under carpeting, throw rugs or runners etc. Arrange cord away from areas where it is likely to be tripped over.
- This appliance is not intended for use by persons (including children) with reduced physical, sensory or mental capabilities, or lack of experience and knowledge, unless they have been given supervision or instruction concerning use of the appliance by a person responsible for their safety.
- Children should be supervised to ensure that they do not play with the appliance
- The appliance is only intended for the purpose described in user manual.
- Do not use appliance or any part of the appliance out of the intended use to avoid risk.
- The use of attachments which are not recommended or sold by the appliance manufacturer may cause a risk of injury to persons
- **CAUTION** — some parts of this product can become very hot and cause burns. Particular attention has to be given where children and vulnerable people are present.
- Install and operate the heater in a strictly horizontal position on the wall or ceiling surface. The thermal resistance of the wall or ceiling material should be at least 80 °C.
- **WARNING:** This heater is not equipped with a device to control the room temperature. This heater is to be used in open, alfresco environment or large areas with high ceilings. The heater must not be within reach from the floor, as severe burns may occur due to high surface temperatures. Do not use this heater in small rooms or where the room or area is occupied by persons not capable of leaving the room on their own, persons who are unable to operate the heater safely and with the guidelines of the use manual, unless constant supervision is provided.

MAIN FEATURES



- ① heater radiant surface
- ② heater operation indicators
- ③ brackets for wall mounting
- ④ power cords and plug

TECHNICAL SPECIFICATIONS

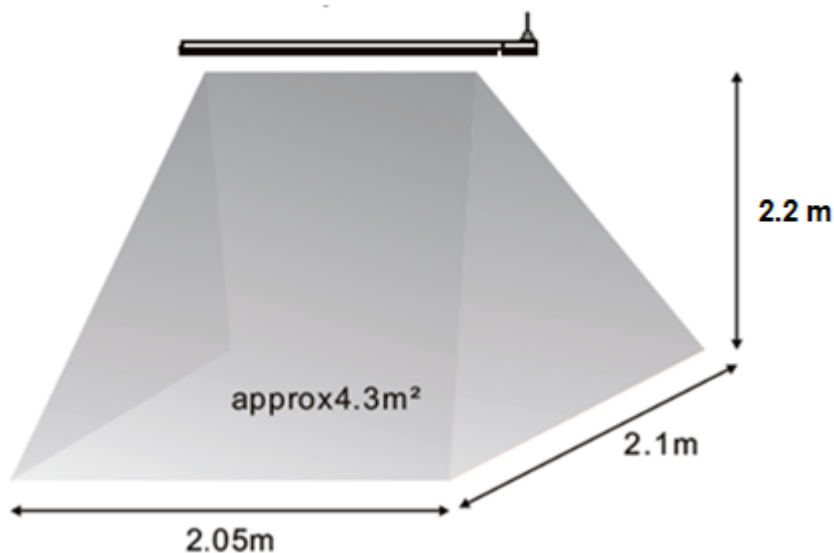
MODEL NAME	EOHA24R
Voltage	240V~ 50Hz
Rated power (W)	2400
Ideal Mounting height (M)	2.2 meters
Electric protection class	I
Water splash proof rate	IP65
The length of power cable(mm)	1050
Unit size- L*W*H(mm)	1505*177*60

HEATING AREA

The radiator panel heater produces radiant heat which heats objects rather than the air. Therefore, it is imperative that objects to be heated (i.e. People), are within the direct radiant footprint of the heater.

The below diagrams show the approximate heating area based on an outdoor enclosed environment. And the diagram shows that the maximum heat output is found directly under the heater, and the temperature decreases as the user move away from the heater.

Outdoor enclosed area (m²)



BEFORE OPERATION

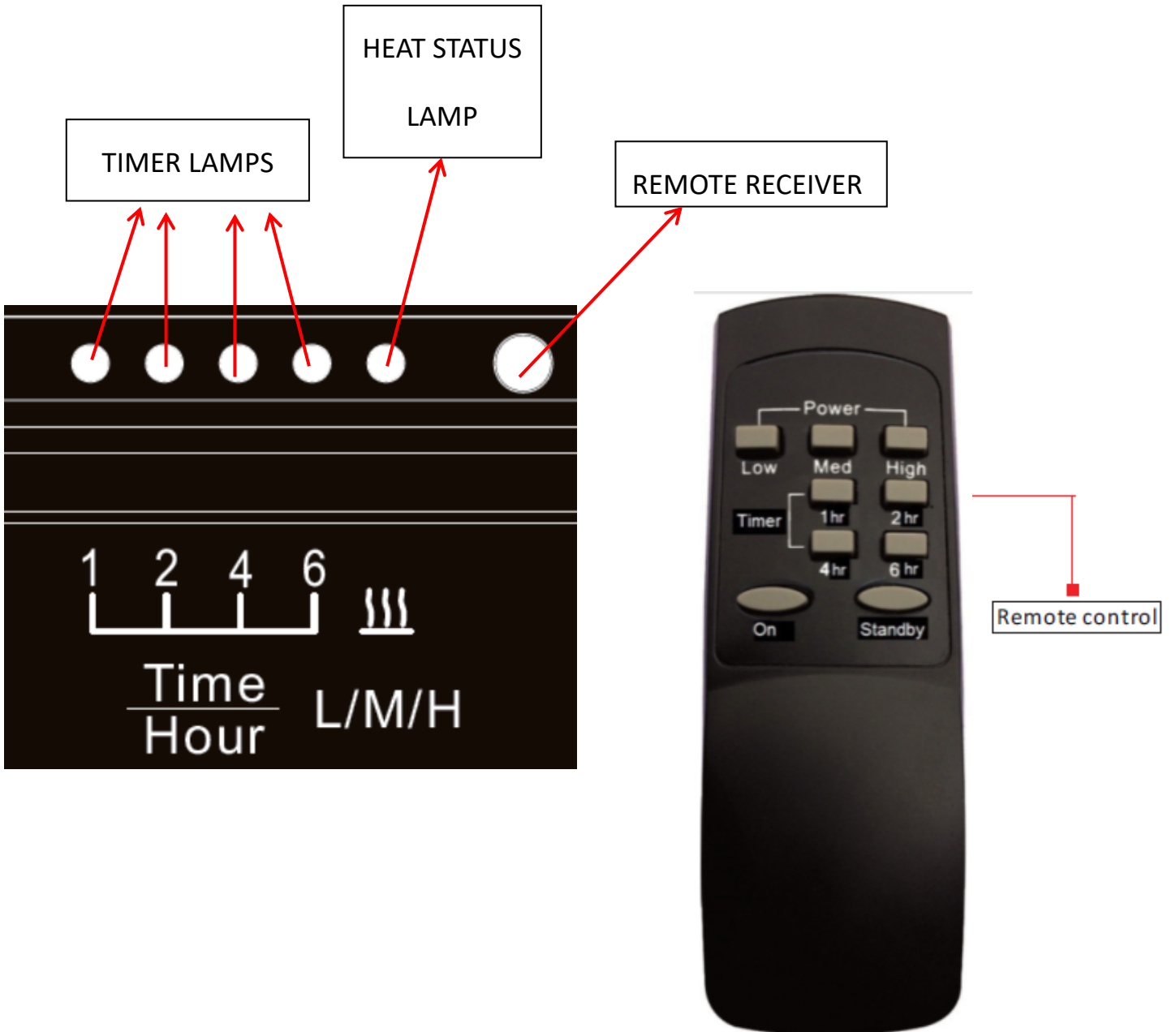
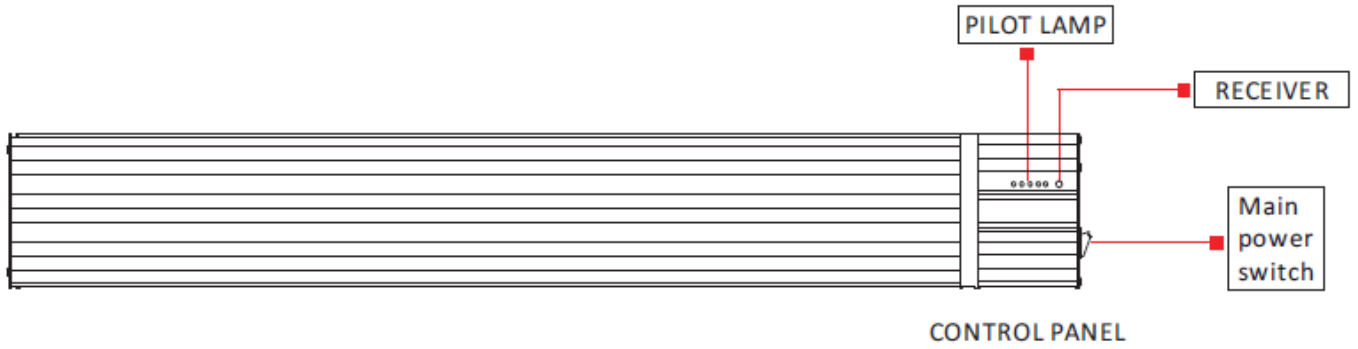
WARNING! Slight crackles may be heard during the heating or cooling period.

This is normal operational noise.

NOTE:

- Discoloration of paint on the heater body wall directed to the ceiling during operation is not a defect. Changing of color for heating plates is not defect.
- After switching on the appliance for the first time and following extended periods on non-use, the appliance may expel a slight odor for a short time. It will not affect the use of the heater.
- To exclude unpleasant burnt odor, it is recommended to keep the heater clean preventing accumulation of dust on it
- The distance between the heater and the remote control should be less than **3 metre**, and the remote control must be directly point to the receiver on the front panel during the operation.

HEATER COMPONENTS



OPERATION INSTRUCTIONS

1. Plug in the device, and press the power switch to the position of I : ON, the device will sound 1 beep and the heat status lamp will turn blue. The device is now in standby mode and won't emit any heat.



2. Point the remote control directly to the receiver, press the "ON" button, the device will sound 1 beep and the heat lamp will turn red. The device will start to heat in high power mode (100% the rated power)



Press the "OFF" button again, the device will sound 1 beep and the heat status lamp will turn blue. The device will stop heating and will stay in stand-by mode.



3. When the device is in heating mode or in stand-by mode, Point the remote control directly to the receiver and press the button “low”, the device will sound 1 beep and the device will start to heat in lower power mode (33% of the rated power). The heat status lamp will turn **BLUE**.



4. When the device is in heating mode or in stand-by mode, Point the remote control directly to the receiver and press the button of “Med”, the device will sound 1 beep and the device will start to heat in medium power mode (66% of the total rated power). The heat status lamp will turn **Green**.

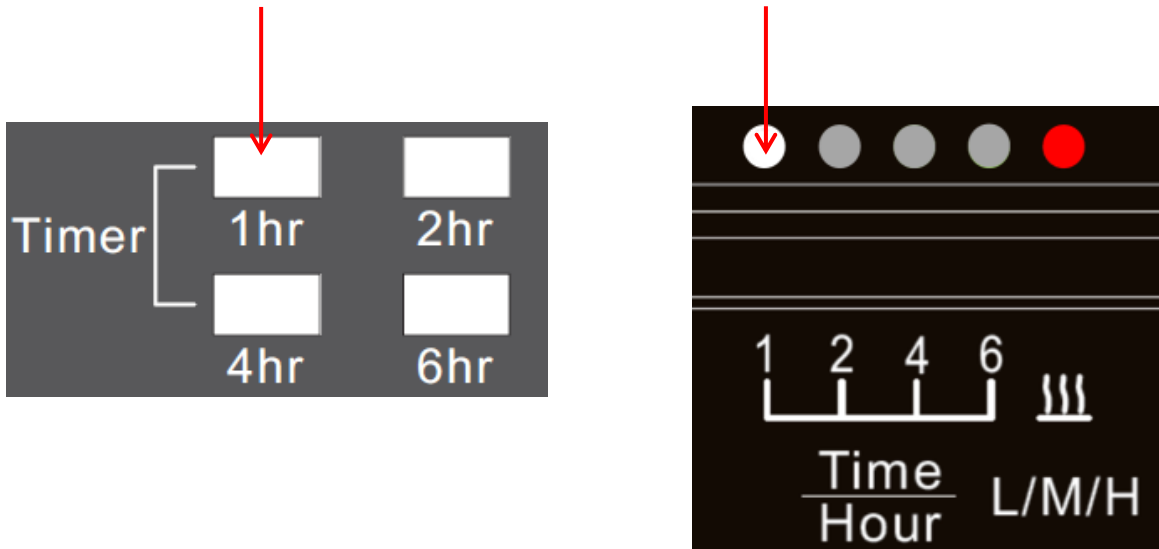


5. When the device is in heating mode or in stand-by mode, Point the remote control directly to the receiver and press the button “High”, the device will sound 1 beep and the device will start to heat high power mode (100% of the total rated power). The heat status lamp will turn **Red**.

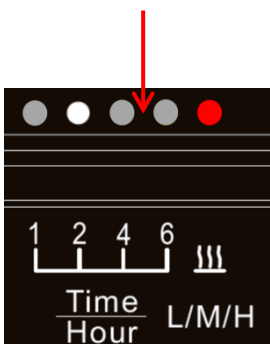


TIMER FUNCTION:

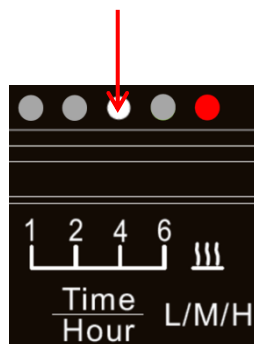
To activate the delay-off timer, point the remote control directly to the receiver and press the “1hr” button and the 1st timer lamp will turn white. The unit will be powered off after 1 hour has finished and return to standby mode. The heat status lamp will return to a Blue colour.



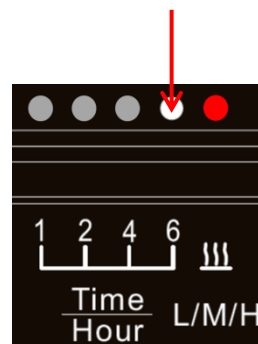
Accordingly, the device can be set to power off in 2 hours, 4 hours or 6 hours, by simply pressing the “2hr”, “4hr” and “6hr” button on the remote control accordingly. Please refer to picture below as a reference.



2 hours timer

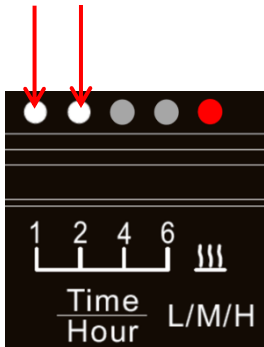


4 hours timer



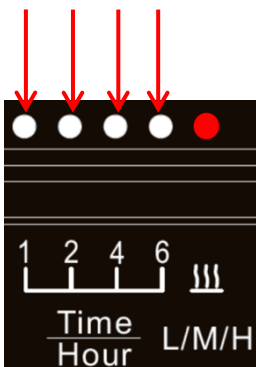
6 hours timer

To set the delay off timer to 3hrs, press the button “1” and “2” separately and both timer lights will turn white as below-



The timer can also be set to shut off at 5hr, 7hr and all the way up to 13hrs by pressing the necessary buttons to create the time required.

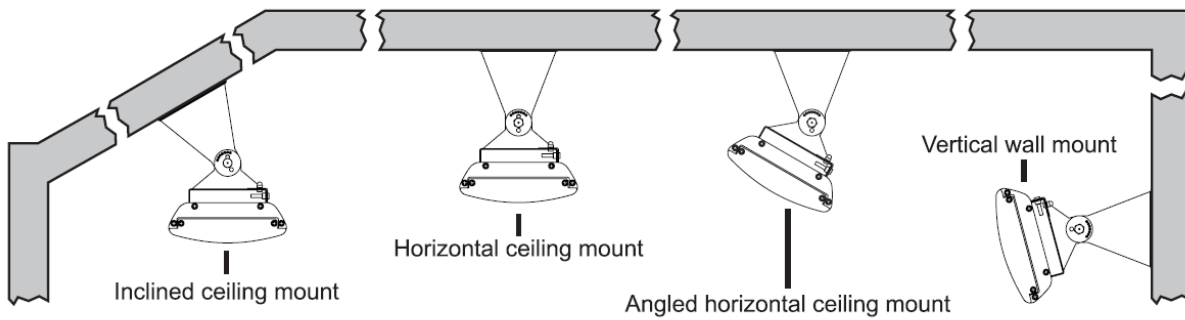
For example the timer can be set to 13 hours by pressing all the buttons separately as below. (1+2+4+6=13 hours)



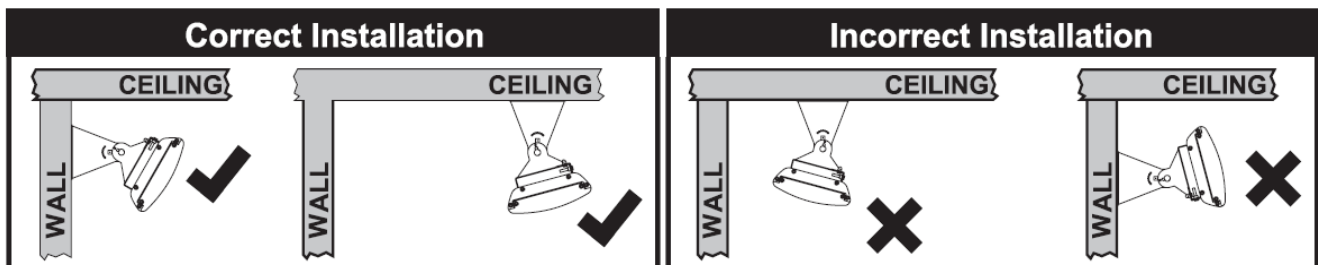
INSTALLATION

Before installation, read the manual carefully. The heater must be installed in accordance with the manufacturer's installation instructions

This heater comes with a pair of stainless steel adjustable angle mounting brackets. The adjustable angle enables the heater to be installed on vertical, horizontal and inclined surfaces.



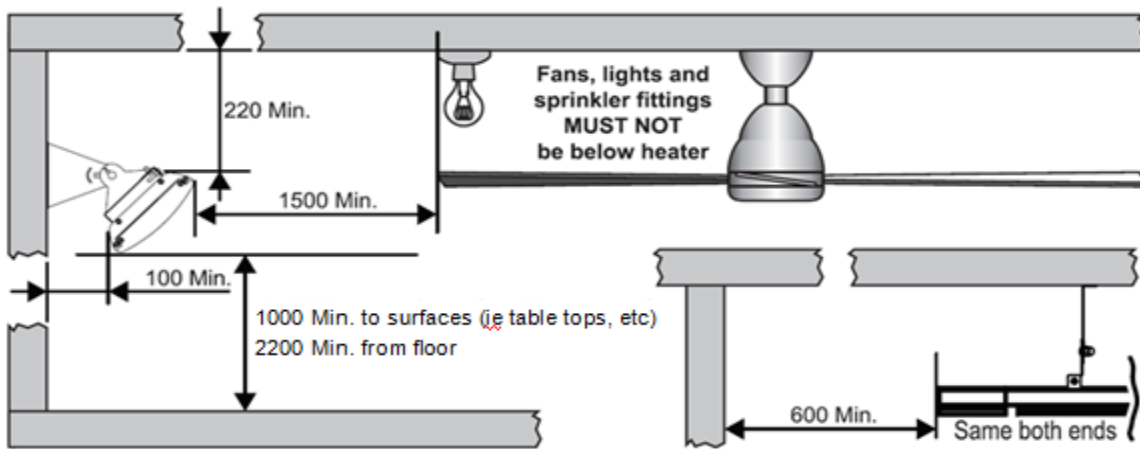
The ideal mounting position is directly above the area to be heated with a longitudinal orientation and facing vertically downwards. If this is not possible, the heater(s) can be mounted on a wall and angled downwards.



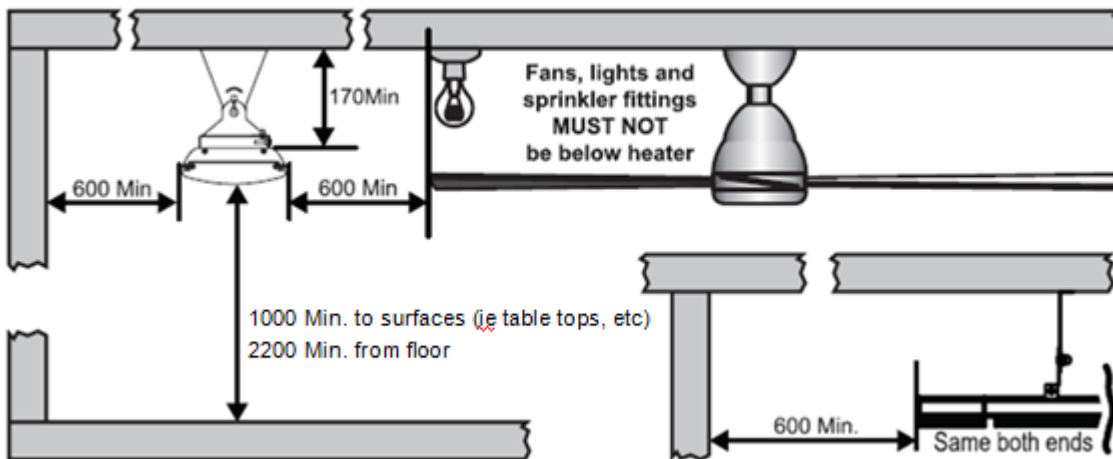
WARNING: The heater must never be installed in the upwards or inwards facing position, the heating surface must always be positioned to direct the heat in a downwards or outwards direction.

CLEARANCES

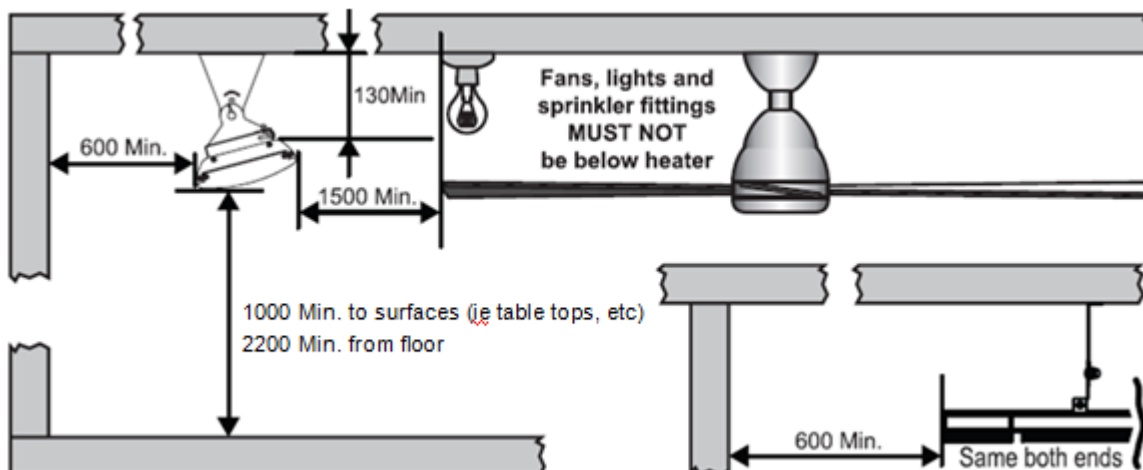
Minimum clearances when mounting the heater on A VERTICAL WALL



Minimum clearances when mounting the heater parallel with a CIELING



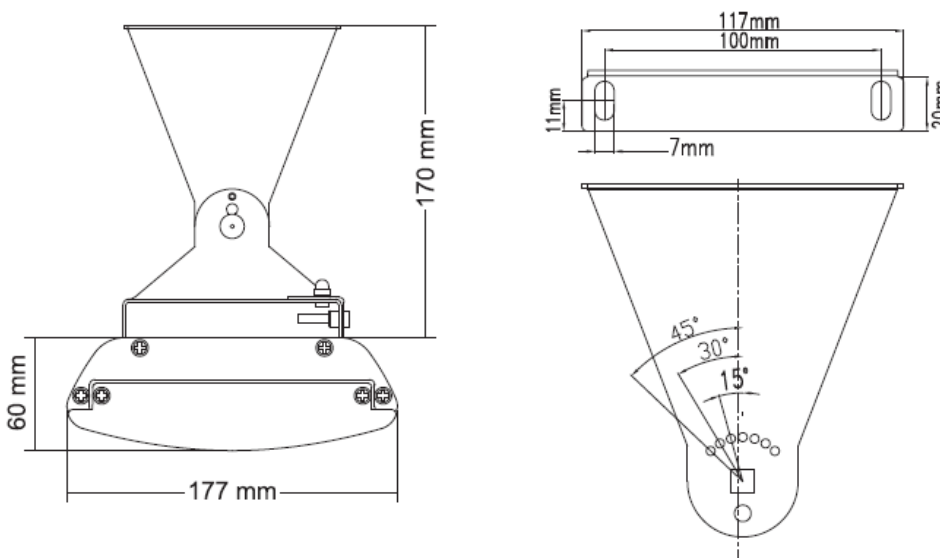
Minimum clearances when mounting the heater at an angle to the CIELING



INSTALLATION PROCESS

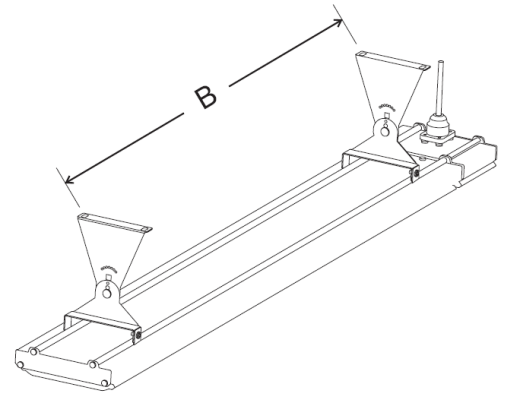
WARNING! Mounting of the infrared heater and its connection to the electric mains should be carried out only by qualified specialists according to the Electrical Installation Regulations and Power System Safety Standards

1. Open the box and carefully take the heater out.
2. Take out the packing paper sheet from the end of heater
3. Take out one pair of mounting Brackets. These adjustable brackets are for wall or ceiling mount, and come with preset angle options of parallel, 15°, 30°, 45° and height 170mm.

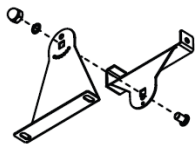


4. The correct installation process, is as per the diagram above, select the heater location on the wall/ceiling by locating the stud or structural beams to ensure secure fastening of the heater, whilst observing the minimum clearances from the floor and other obstructions.

5. Install two brackets on the wall or ceiling with the following minimum recommended bracket distance "B" (B= 990±50)

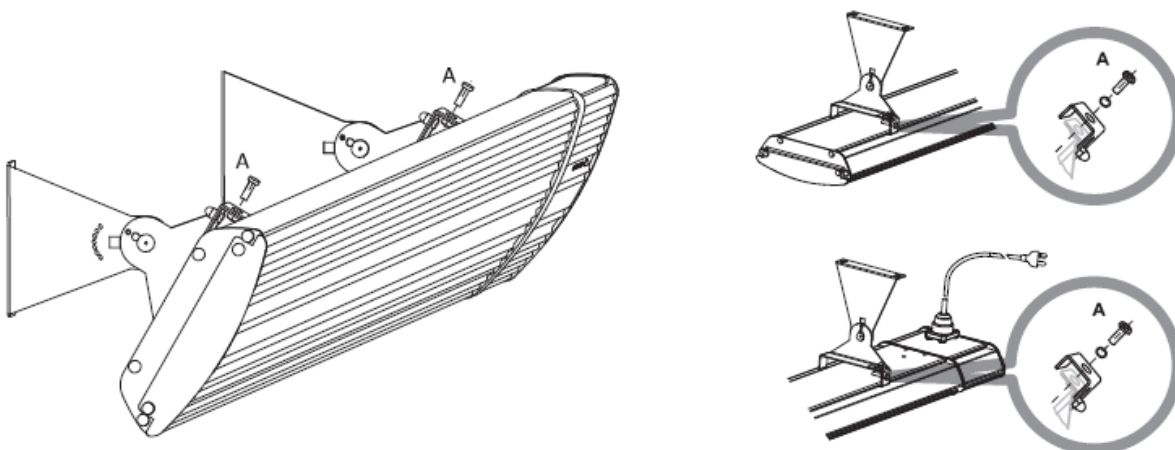


6. Set the adjustable angle mounting brackets to desired angle and fasten brackets with a spanner. For wall mounted installation, the available mount angles are restricted to 15°, 30° and 45° only. For ceiling mounted installation, the available mount angles are restricted to 0°, 15° and 30° only.



	0	15	30	45
Ceiling				
Wall				

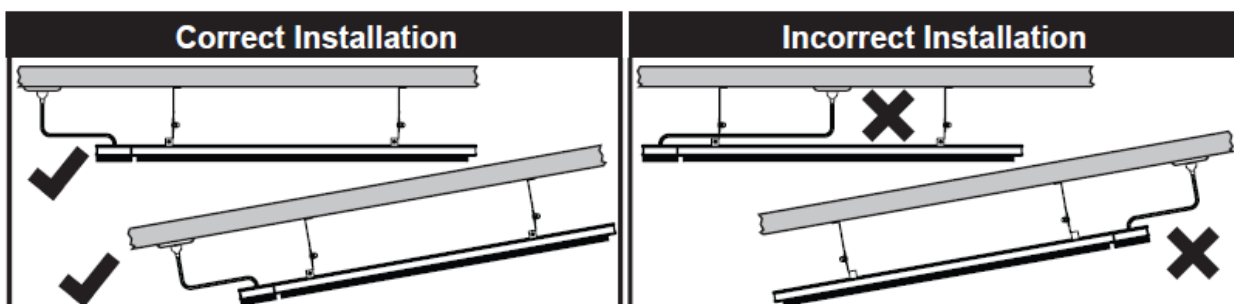
7. Hang the heater on the brackets and firmly secure in place with the mounting bracket locking plates by tightening bolts. labelled A



NOTE: Depending on material and design of ceiling structural elements, the heater must be secured with the correct fasteners. The weight of the heater is up to 7.4Kg, the installation location must be able to hold 5 times the weight of the heater.

CONNECTION TO ELECTRIC MAINS

- The heater is designed for connection to the single-phase 240V~ 50HZ electric mains equipped with an earth.
- Before connection, make sure that specifications of the electric mains at the connection point meet the single-phase 240V~ 50Hz voltage.
- The heater must not be located immediately below a power point. Power point should not be located at the back of the heater. The power point needs to be located outside the physical footprint of the heater to minimize heat build-up behind the heater.
- If the heater is to be mounted on an incline (ie: Vaulted ceiling), ensure the power point located at that lowest point of the heater.



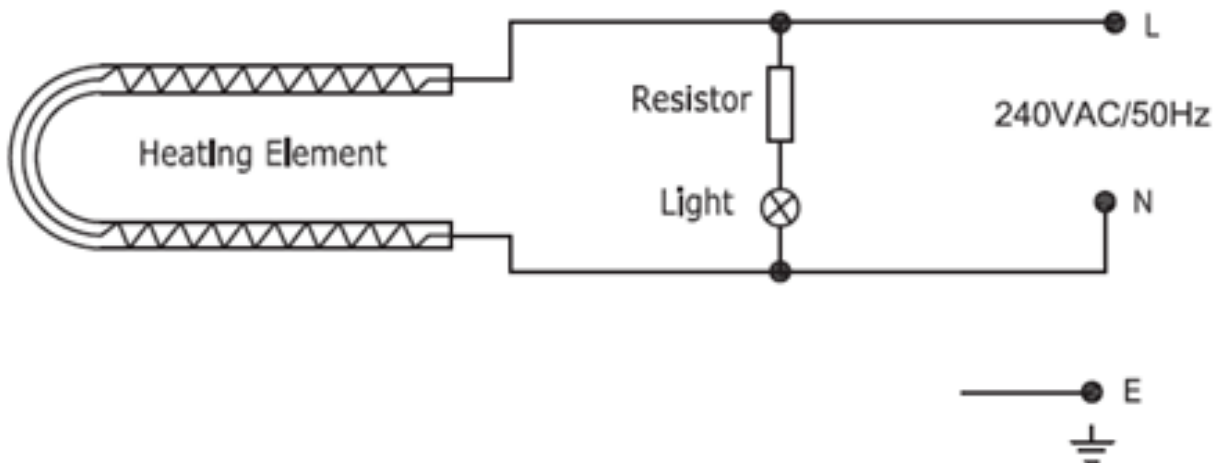
MAINTENANCE

- Any maintenance should only be carried out by a qualified electrician.
- During operation, it is necessary to periodically (once a year) check the electric cable contacts and terminal connectors.
- If the body becomes dirty, wipe off dust with a towel, and the radiating boards should be wiped when they are cool with a damp soft rag.

WARNING!

- ✓ Never immerse the appliance in water! It is Dangerous

WIRING SCHEMATIC DIAGRAM



TROUBLESHOOTING

Possible malfunctions are given in Table below.

SYMPTOM	CAUSE
Will not heat / No operation indicator	Check that power is connected and switched on
Heater smells when first used.	This is caused by oil or dust left over from the manufacturing process and will stop after a short time
Faint smell for short periods after turning on the heater	This is normal and should stop after a short time
Heater smells when turned on after periods of no use	Build-up of debris and dust on the heater, Switch the heater off and allow it to cool down and then clean
Clinking noises when heater is turned on and after being turned off	This is expansion and contraction noises of the heaters metal components and is normal
Poor heating performance	Exposure to extreme ambient conditions such as high winds / excessively cold temperatures can lower the heating performance of an outdoor installation. Unit is not installed in correct position, possibly too high or heater is too small for recommended area.

There are no user serviceable parts in this appliance, only an authorised person such as a qualified electrician can maintain this appliance.

SYMPTOM	CAUSE
There is a burning smell and or strange sounds (other than normal expansion and contraction noises) coming from the unit	Turn off the heater, and return to place of purchase if still under warranty.
When associated circuit breaker (safety, ground) is thrown or a fuse is blown	Turn off the heater, and return to place of purchase if still under warranty.
Poor heating performance	Incorrectly sized installation, contact your authorized electrical installer
	Faulty heater element turn off the heater, and return to place of purchase if still under warranty.
Will not heat / No operation indicator	Check that power is connected and switched on, if still faulty, turn off the heater, and return to place of purchase if still under warranty.

WARRANTY

This appliance is guaranteed for a period of 24 months. If during this period the appliance fails to work due to parts or manufacture fault, please return to place of purchase for a replacement.

Excelair
By Excelsior

For any queries or assistance call
Customer Service
(Australia Only)
1300 174 876
Hours of operation:
Monday to Friday 8am - 5pm EST

IMPORTANT: RETAIN THESE INSTRUCTIONS FOR FUTURE USE.

Excelair™ is a trademark of Sitro Group Australia
www.excelsiorproducts.com.au