



INFRATECH
COMFORT

PREMIUM COMFORT HEAT

indoor comfort, outdoor living.

A modern outdoor living space at dusk. In the foreground, there are white, plush sofas and a fire pit with a small fire. In the background, four people are standing and talking. The ceiling is made of wood and has recessed lights and two long, glowing heaters. The walls are made of stone or concrete. The sky is a deep blue.

*bring more living to
your outdoor spaces.*

contents

INFRARED BASICS

Dial up the comfort – without harming the environment.

4–7

PRODUCTS

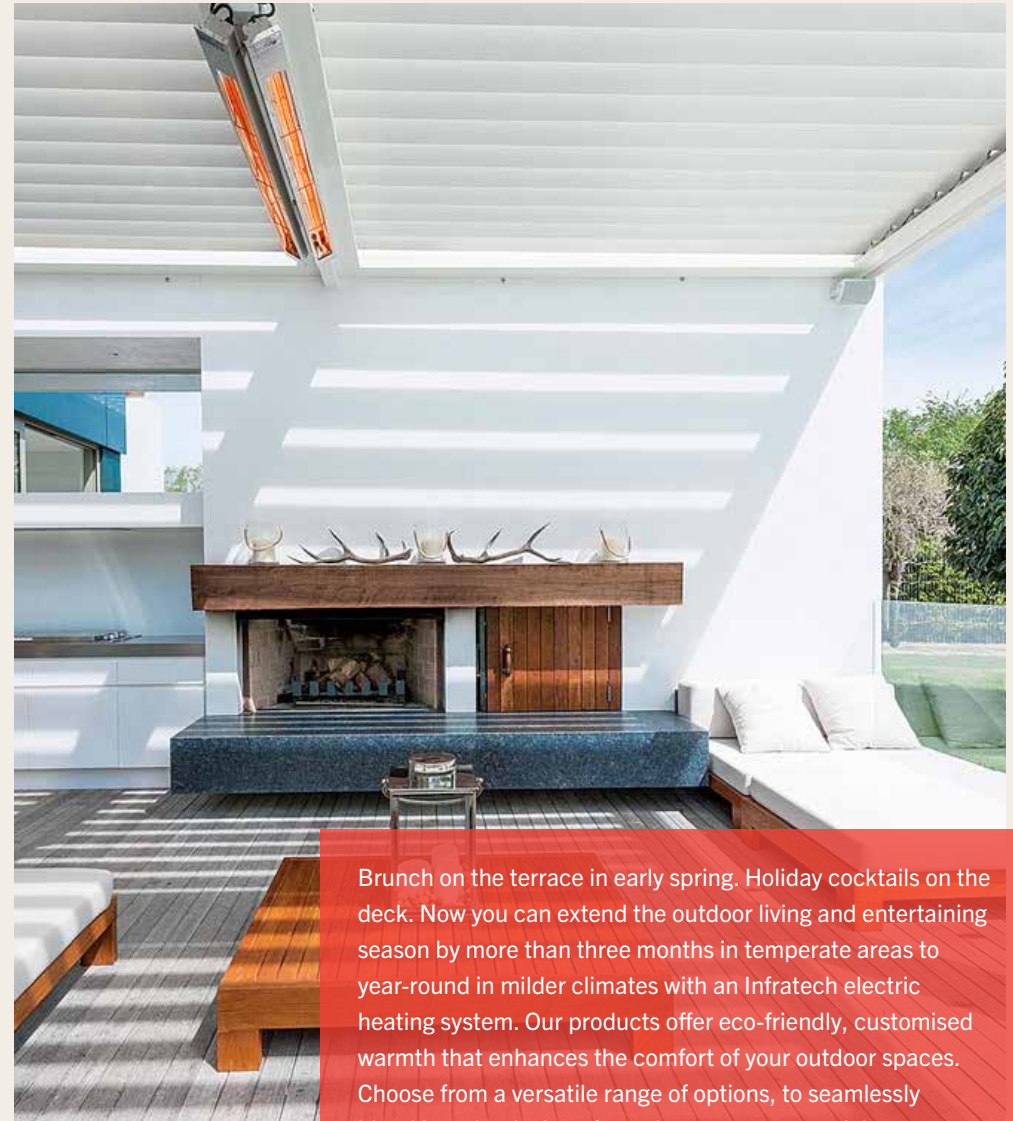
Bring year-round indoor comfort to an outdoor living space.

6–11

INSTALLATION

Versatile options. Zone heaters for energy efficiency.

12–19



Brunch on the terrace in early spring. Holiday cocktails on the deck. Now you can extend the outdoor living and entertaining season by more than three months in temperate areas to year-round in milder climates with an Infratech electric heating system. Our products offer eco-friendly, customised warmth that enhances the comfort of your outdoor spaces. Choose from a versatile range of options, to seamlessly blend into the design of your home or commercial property. All Infratech products are proudly made in the USA.

eco-friendly, emission-free, *ambient warmth.*

Discover a sustainable comfort heat source for outdoor living and entertaining spaces. Infratech electric heaters are over 90% energy efficient, operate for just pennies per hour, and emit a subtle, pleasing glow that will not blow away in windy conditions. Enjoy odorless, radiant warmth that won't detract from the aroma of an alfresco meal in the outdoor kitchen or interfere with the view from a rooftop deck.

HOW INFRA TECH HEATING WORKS



Heated quartz elements emit a safe, clean wavelength of light that is only absorbed by solid objects, transferring heat directly to a person, table or floor rather than heating the air



Infrared heat doesn't "blow away" in windy conditions, making it ideal for breezy areas where air cannot be contained



Unlike competitive short wave heaters, Infratech's medium wave quartz elements operate without any harsh glares



energy-efficient
comfort heat with
all the ambience —
and zero emissions.



Why Infratech is the sustainable heating choice

INFRATECH ELECTRIC INFRARED HEATERS

- ✔ Convert over 90% of input energy directly into radiant heat
- ✔ Operate with zero greenhouse gases or odours and are UL Listed
- ✔ Have no refillable tanks
- ✔ Have minimal clearance requirements
- ✔ Are less expensive to purchase and operate than traditional outdoor heating options
- ✔ Are virtually maintenance-free
- ✔ Offer infinite heat intensity control and zoning capabilities with timer and remote options
- ✔ Emit a pleasing, ambient glow

TRADITIONAL GAS-FIRED HEATERS & OUTDOOR FIREPLACES

- ✘ Are often less than 50% efficient
- ✘ Emit carbon monoxide and hazardous gases from fuel combustion and require ventilation
- ✘ Require refills of propane tanks or wood
- ✘ Feature larger profiles
- ✘ Cost more to acquire and maintain
- ✘ Have many costly replacement parts
- ✘ Provide little to no heat control
- ✘ Produce smoke that can be hazardous in drought-prone regions or windy conditions

the right heaters *for every project.*

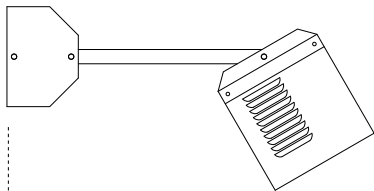
Outdoor living spaces come in all sizes, styles and layouts. With Infratech, you can choose the heater profiles, sizes and capacities to add premium comfort to any space. Our heaters can bring optimal comfort to a single room or expansive property. Infratech is a partner of choice among leading architects, interior designers and engineers because we offer a broad range of heating system options to complement their vision.



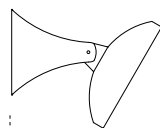
comfort and style *meet convenience.*

We offer heater profiles, sizes and capacities that add ideal comfort to large or small spaces, with high or low ceilings and in sheltered or exposed areas.

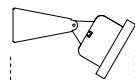
INFRATECH ELECTRIC HEATERS HAVE A SMALLER, SLEEKER PROFILE THAN TYPICAL GAS INFRARED HEATERS



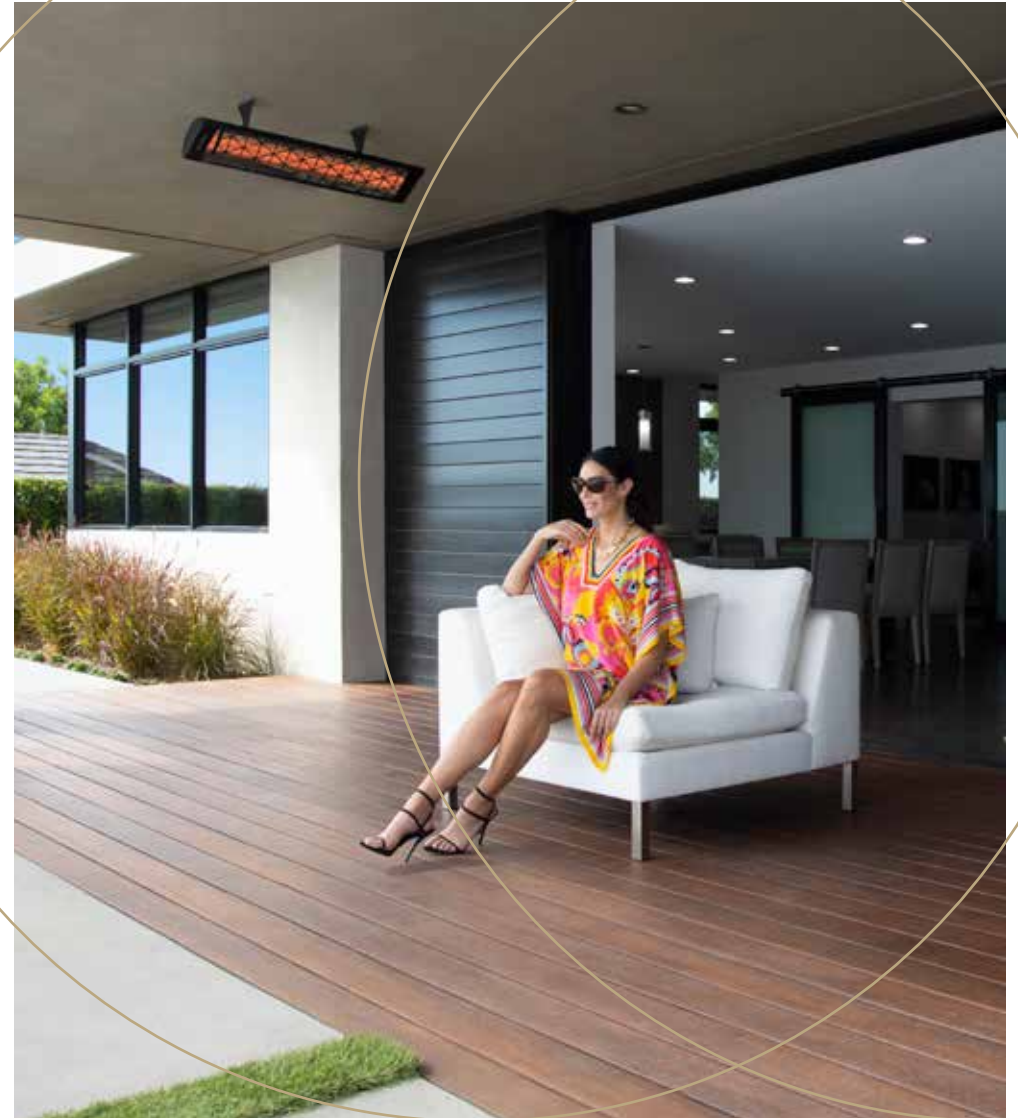
TYPICAL GAS
INFRARED HEATER



INFRATECH
C-SERIES
AND
CD-SERIES
HEATERS



INFRATECH
SL-SERIES
SLIMLINE
HEATER





an array of *choices.*

From backyard patios to sprawling mega-resorts, our product offerings include a range of designs, sizes, and heating capacities, to provide appropriate warmth for any property.



SL-SERIES

SLIMLINE SINGLE ELEMENT HEATERS

Sleek, streamlined slimline single element heaters are ideal for surface mount applications up to 2.1 – 3.4m.

- Features include: modern styling, brushed stainless steel trim, narrow profile, and a T-slot for flexible mounting options.
- Choose from 2,400 watt, 3,000 watt or 4,000 watt capacities.
- Available in durable anodised aluminium housing finishes (Silver and our all-black Slimline Shadow™) that are capable of withstanding years of outdoor use.



C-SERIES

SINGLE ELEMENT HEATERS

Our C-Series fixtures are developed for use in high visual impact locations where their sleek design blends seamlessly. They offer significant heat output for mounting heights of 2.1 – 3.4m.

- Features include: durable 304 stainless steel construction, recessed installations, and inset mounting brackets that create a “floating” effect when mounted.
- Choose from 2500-4,000 watt capacities.
- Compatible with custom controls for larger-scale residential or commercial use.
- Choose between brushed stainless steel or black with Motif Contemporary Fascia.



CD-SERIES

DOUBLE ELEMENT HEATERS

Our powerful dual-element CD-Series fixtures provide concentrated heat for larger scale applications in high visual impact locations. Designed for mounting heights of 2.4 – 4.3m.

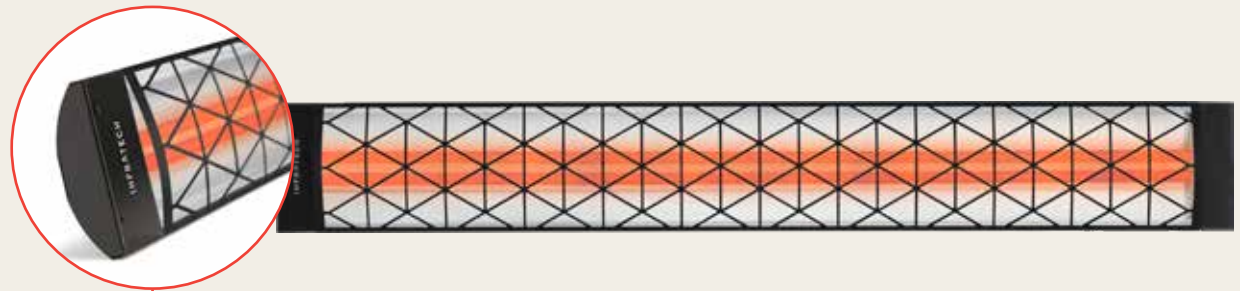
- Features include: durable 304 stainless steel construction, recessed installations, and inset mounting brackets that create a “floating” effect when mounted.
- Choose from 4,000-6,000 watt capacities.
- Choose between brushed stainless steel or black with Motif Contemporary Fascia.



expanding the possibilities of *design versatility.*

Introducing Motif, the first-ever collection of laser-cut decorative metal covers for Infratech outdoor heating systems.

Our industry-leading range of aesthetic choices has recently expanded with our most designer-friendly offering yet. The Motif collection of stylish, laser-cut decorative fascias can be added to Infratech C-Series and CD-Series heaters, to further customise your comfort. Motif collection fascias are compatible with ceiling, pole and wall-mounting applications, but are not compatible with Infratech flush mount frames.



CONTEMPORARY

Infratech's Contemporary fascia has been designed to add visual interest to the modern home. It is inspired by the clean lines and iconic forms of the Minimalist, Modern and Mid-Century aesthetic traditions. Infratech's fascias are designed to snap seamlessly onto the heater body, providing an easy upgrade for any new or previously installed C-Series or CD-Series heater.

colour and finish options.

Colour options

SL-SERIES



STAINLESS STEEL



ALL BLACK SLIMLINE SHADOW™

C-SERIES



STAINLESS STEEL



BLACK - CONTEMPORARY MOTIF FASCIA

CD-SERIES



STAINLESS STEEL



BLACK - CONTEMPORARY MOTIF FASCIA

Flush mount frames

Flush mount frames are customisable to suit any ceiling colour.

Contact us for a consultation.



designed to achieve *your* *vision.*

With versatile mounting options that include wall, pole, ceiling or Infratech's best selling flush mount option, Infratech heating systems provide ultimate comfort while blending seamlessly into the surrounding décor – whether it's an outdoor living room or restaurant patio. With smaller, sleeker profiles than typical gas infrared heaters, Infratech heating solutions offer a streamlined, yet effective heating solution for any indoor-outdoor space.



MOUNTING OPTIONS

Our heaters can be flush mounted, ceiling mounted, wall mounted or pole mounted. They have minimal clearance requirements, and are UL Listed for as low as six feet. All of our mounting options are easy to install.



WALL MOUNT



CEILING MOUNT



FLUSH MOUNT

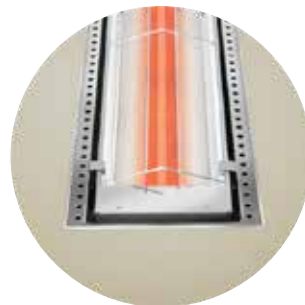


DROP POLE MOUNT

flush mount installation from Infratech.

Infratech's flush mount installation option has long been a customer favourite among the interior designers, architects and engineers who develop today's most sought-after commercial and residential properties.

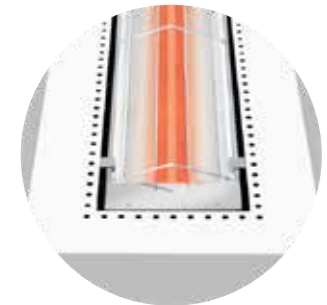
- Flush mounted Infratech C-Series/CD-Series heaters are as stylish as they are versatile, combining the benefits of ambient warmth with a clean, seamless look that vanishes into the décor of a space.
- Heaters can be flush mounted with the edges exposed, or can be partially covered by drywall, plaster, stucco, or a tongue-in-groove wood ceiling treatment.
- Flush mounting is a great choice for rooms with flat ceilings and will not disrupt a space's structural or aesthetic design. Please note, heaters cannot be flush mounted on a ceiling that is sloped or pitched.
- Remember to always use a licensed electrician for installation.



STUCCO OVER FRAME



MATCHING COLOURED FRAME OVER FINISHED CEILING



COLOURED FRAME OVER FINISHED CEILING

⚠ WARNING: Frame and heaters cannot be mounted on a sloped/pitched ceiling. Flush mount applications must always be installed with heaters horizontal to the floor on a flat, non-sloped ceiling.

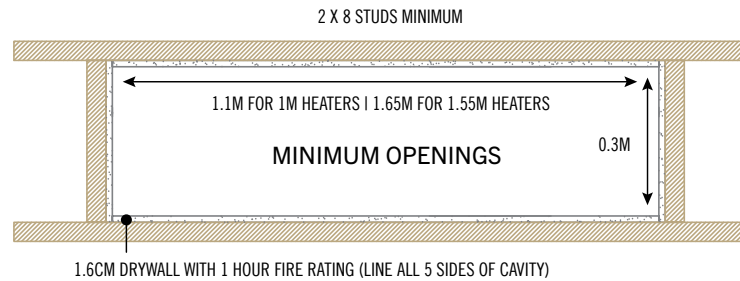
flush mount your heater in *four simple steps.*

SCAN FOR VIDEO
INSTRUCTIONS



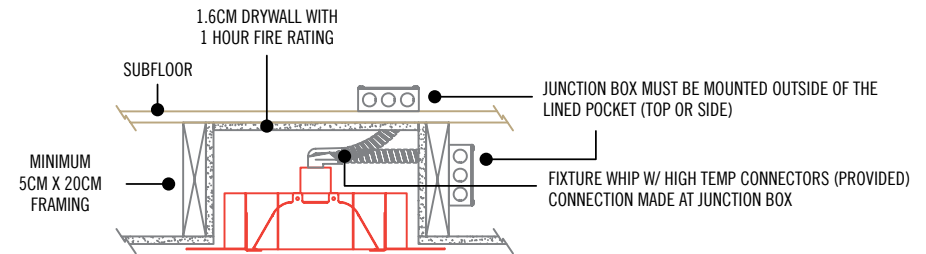
STEP 1

Frame the pocket that will house the heater with a one hour-rated fire containment box. Note: Frame and heaters cannot be mounted on a sloped/pitched ceiling.



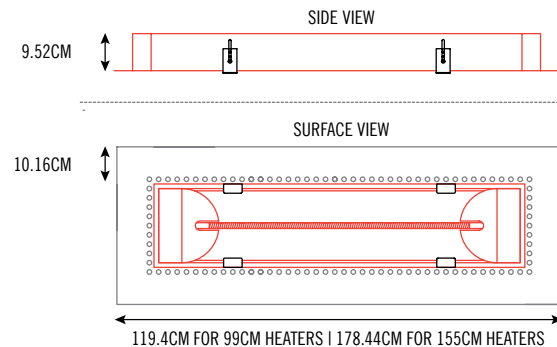
STEP 2

The junction box must be mounted outside of the lined pocket. You can choose to mount the junction box in a variety of locations, depending upon where you'll be accessing it.



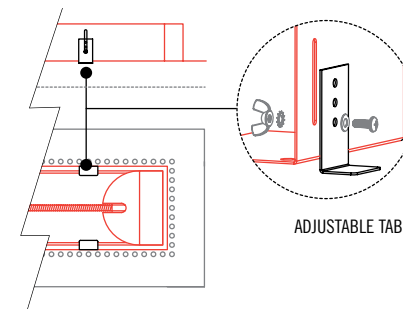
STEP 3

Install the frame into the finished pocket. You may choose to leave all of the trim exposed, or partially cover it with a decorative ceiling (1.27cm clearance is required from ventilation holes).



STEP 4

Install the heater (heater must face horizontal to the floor) and adjust the tabs to set the heater flush with finished ceiling.



why Infratech is the perfect amenity for your *commercial* *space.*

Expand opportunities for outdoor seating. Increase table turns. Extend comfort for diners and guests on a year-round basis in milder climates — and improve your commercial property's bottom line. Our team collaborates with award-winning architects, designers and builders during initial planning stages, to develop comprehensive, low-profile heating solutions that add custom-controlled, energy efficient, ambient warmth that can help drive increased ROI for your property.

EXTEND YOUR OUTDOOR FOOTPRINT

- Infratech infrared heaters are ideal for outdoor spaces like rooftop decks, smoking sections or valet waiting areas.
- They transfer heat directly to objects, so warmth will not “blow away” in windy conditions.
- They can be easily mounted to existing structures or incorporated into new construction.
- Infratech heaters can be grouped and regulated in different zones, for the ability to adjust comfort while minimising energy consumption.
- Infratech control packages can accommodate commercial spaces of all sizes.
- Our technical customer service team can help you determine the best heater, control, colour and mounting options for your project.

LASTING ENERGY EFFICIENCY AND VALUE

- Infrared heaters require no refillable tanks and are virtually maintenance free.
- Over 90% energy efficient operation provides energy savings over time.
- Infratech heaters are fabricated from durable 304 stainless steel, with select models available in the Marine UpGrade option — featuring corrosion resistant 316 stainless steel — at an additional cost.
- Infratech's Three-Year Warranty is the most extensive in the industry.
- Infratech quartz elements are rated for up to 5,000 hours of use.

PROMOTES IMPROVED HEALTH AND SAFETY

- Infratech heaters expand outdoor dining opportunities, to support public health.
- They generate zero emissions or unpleasant odours.

How infratech can help add revenue to a commercial property



Generates more nights of use from an outdoor patio or terrace space



Encourages guests to linger longer in comfort, ordering dessert or drinks



Enables businesses to book reservations with confidence, knowing guests will be comfortable in cooler temperatures



Improves efficiency, reduces cost for staff who no longer have to move, refill or monitor propane heaters



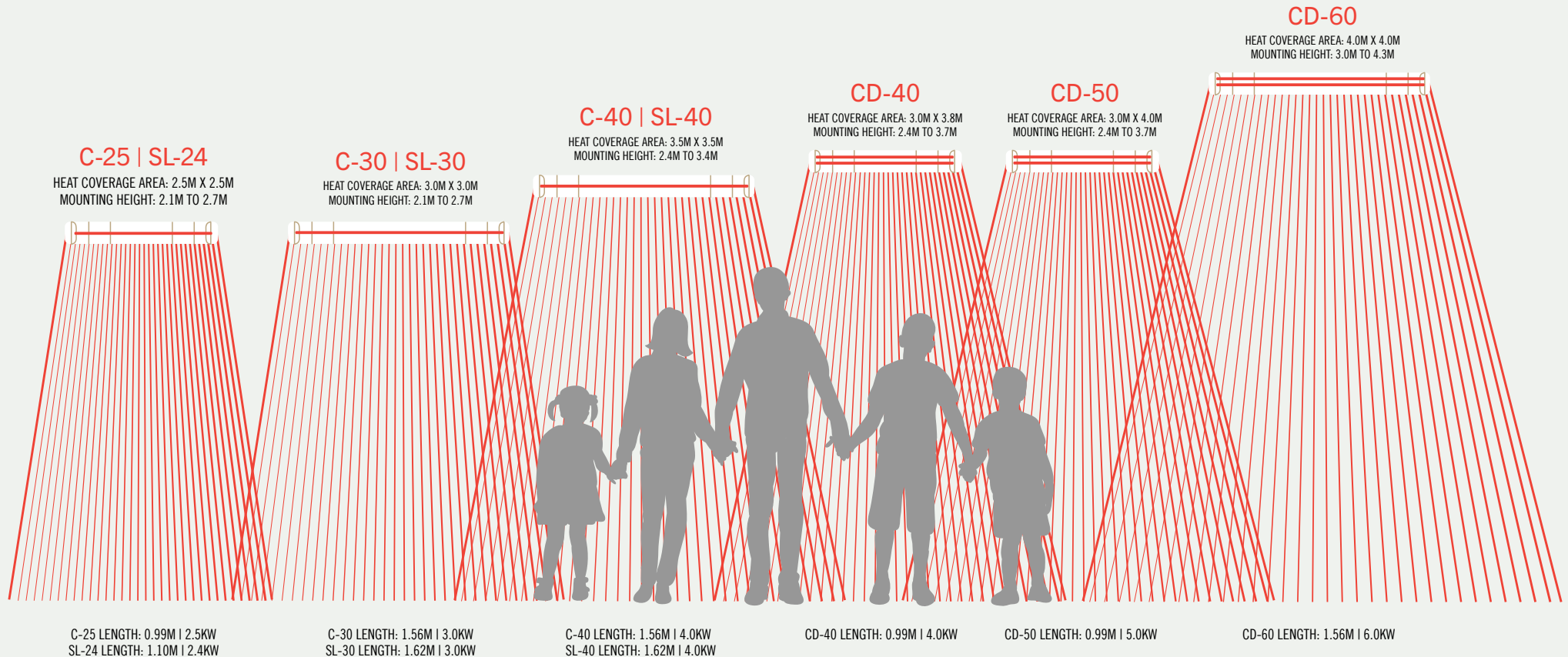
The Corner Hotel, Richmond

choosing your *Infratech* system.

STEP 1 | Measure the dimensions and mounting heights of the area you want to heat.

STEP 2 | Select the heater(s) that will work both functionally and aesthetically for your space. Consider heater size, quantity, colour and mounting system.

STEP 3 | Choose the control option that works best for your space, needs and budget.



NOTE: Well-protected environments will generally exceed average coverage. Heaters may provide less than average coverage in extremely cold or windy conditions.

C = C-SERIES SINGLE ELEMENT HEATERS — WIDTH: 20.3cm
 CD = CD-SERIES DUAL ELEMENT HEATERS — WIDTH: 20.3cm
 SL = SLIMLINE SINGLE ELEMENT HEATERS — WIDTH: 12.1cm

Parts list and specifications

C-SERIES (304 STAINLESS STEEL)

Part Number	Model	Length	BTUs	Watts	Volts	Amps	Shipping Weight (kg)
21-3100	C-2524 SS	0.99m	8,530	2,500	240	10.4	5.9
21-3200	C-3024 SS	1.56m	10,236	3,000	240	12.5	9.1
21-3300	C-4024 SS	1.56m	13,648	4,000	240	16.7	9.1

* Add "BL1" for Black – Contemporary Motif Fascia.

CD-SERIES (304 STAINLESS STEEL)

Part Number	Model	Length	BTUs	Watts	Volts	Amps	Shipping Weight (kg)
21-4100	CD-4024 SS	0.99m	13,648	4,000	240	16.7	6.4
21-4200	CD-5024 SS	1.56m	17,060	5,000	240	20.8	6.4
21-4300	CD-6024 SS	1.56m	20,472	6,000	240	25.0	9.5

* Add "BL1" for Black – Contemporary Motif Fascia.

SL-SERIES (STAINLESS STEEL WITH ANODISED ALUMINIUM HOUSING*)

Part Number	Model	Length	BTUs	Watts	Volts	Amps	Shipping Weight (kg)
21-5000	SL-2424	1.10m	8,192	2,400	240	10	5.9
21-5040	SL-3024	1.62m	10,240	3,000	240	12.5	7.7
21-5080	SL-4024	1.62m	13,653	4,000	240	16.7	7.7

*Add "BL" for all black Slimline Shadow™ heater and trim.

MOUNTING OPTIONS

W-39 Flush Mount Frame	W-61 Flush Mount Frame	W-39 Pole Mount	W-61 Pole Mount
•		•	
	•		•
	•		•

MOUNTING OPTIONS

W-39 Flush Mount Frame	W-61 Flush Mount Frame	W-39 Pole Mount	W-61 Pole Mount
•		•	
	•		•
	•		•



AMERICAN CRAFTSMANSHIP MEETS THE BEST THREE-YEAR WARRANTY IN THE INDUSTRY.

As a pioneer and leader in our field for more than 50 years, we understand the importance of quality. This is why every Infratech product is backed by decades of industry-leading American craftsmanship, and supported with excellent customer service and the most extensive warranty in our industry – the Infratech Three-Year Warranty. All Infratech products are proudly made in the USA.

Need assistance?

We can walk you through the process of selecting the Infratech heating system that's right for you. To learn more, or find a distributor near you, please contact us.

www.infratechheaters.com.au
sales@infratechheaters.com.au
1300 484 503

Mounting options (For C-Series and CD-Series Heaters)

FLUSH MOUNT FRAMES

Part Number	Model	Fits Heater Size
18-2300	W-39 Flush Mount Frame	0.99m
18-2305	W-61 Flush Mount Frame	1.56m

POLE MOUNTS

Part Number	Model	Fits Heater Size
22-1250	W-39 Pole Mount	0.99m
22-1255	W-61 Pole Mount	1.56m

INFRA^{TECH}

COMFORT

Showroom: 619-623 Bridge Road, Richmond VIC 3121
1300 484 503 | sales@infratechheaters.com.au
www.infratechheaters.com.au



MADE IN USA
3 YEAR WARRANTY