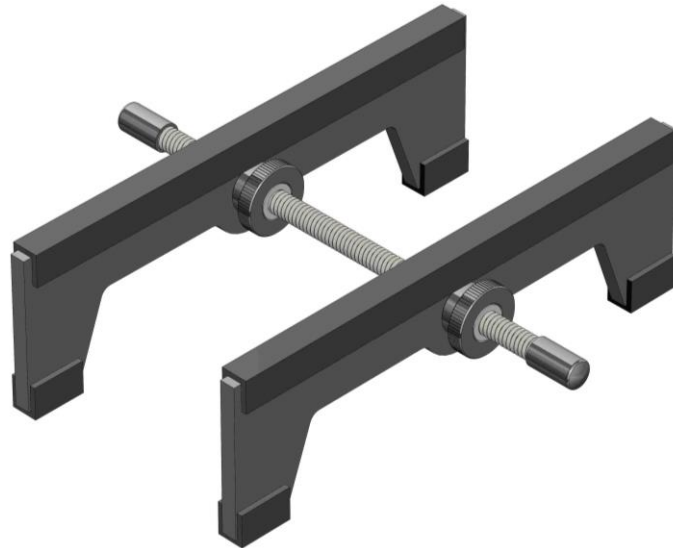


## Stiletto Stand

Thanks for buying a KVgear Stiletto Stand. This unique, adjustable stand allows you to perch gear above the control surface of a synth or console. Think of the Stiletto Stand as high heels for your gear!



See the image below as an aid during assembly of your stand. Notice that each of the four thumb nuts is arranged so the smaller end points towards the leg panel. After the thumb nuts and side panels have been assembled, press the vinyl end caps onto the threaded shaft.

To adjust the width of the stand, spin the thumb nuts until the leg panels are at the desired width. To finish, spin one thumb nut tightly against the leg panel while you hold the other thumb nut in place. Do this for both leg panels. When properly assembled and tightened, your Stiletto Stand will be rock solid.

