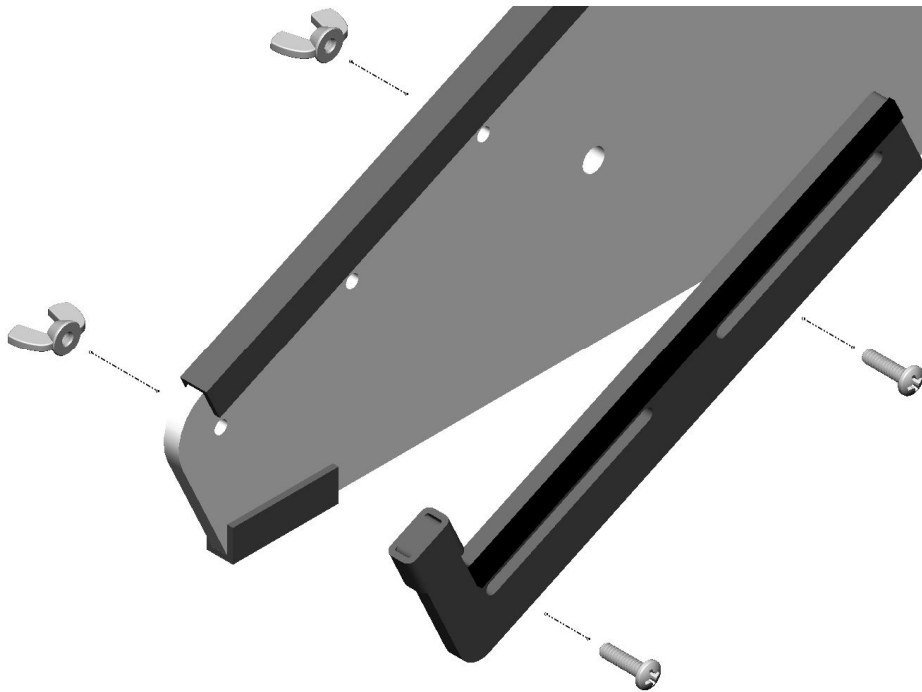
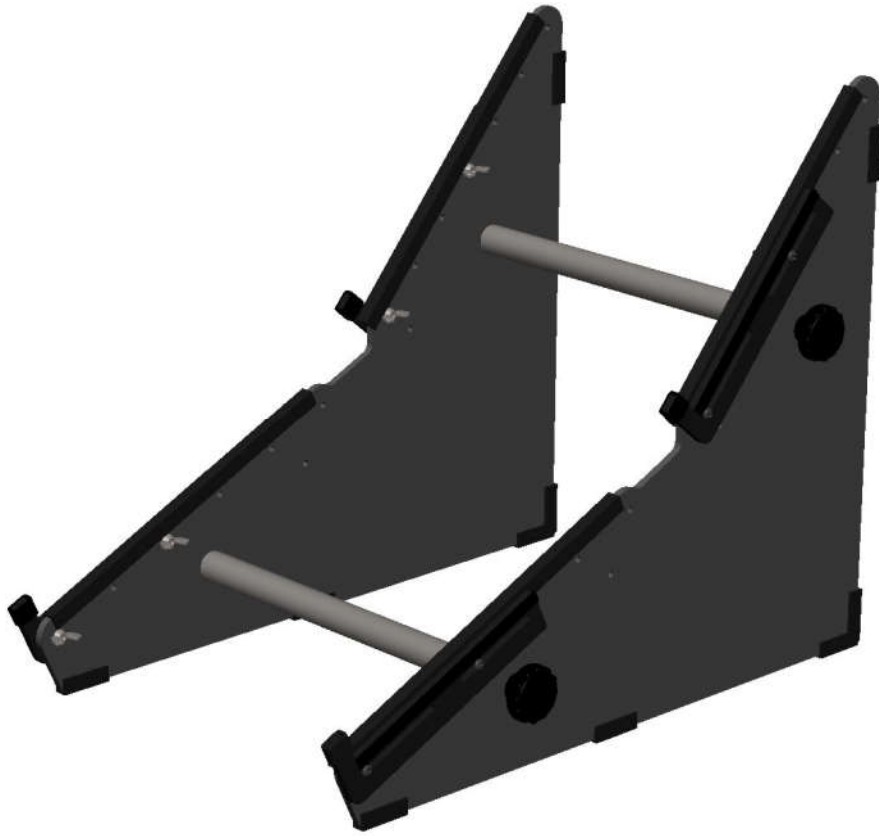




Adapt L1 and Adapt L2 Assembly Instructions



Thanks for buying a KVgear Adapt Stand! This unique stand can be adjusted and customized to grow as your needs change. Add extra Adapt Hooks (either regular or tall versions) to hold gear apart on a tier, or install a set of Adapt Hooks upside-down and backwards as stabilizers for gear that would normally be too deep for the upper tier. Use connector tubes of longer or shorter lengths to suit the needs of your gear.

CAUTION: *Use of Adapt Hooks to support gear hanging over the back edge can lead to instability. The user must ensure that their gear does not overhang so far that the stand tips backwards, especially if the gear on the bottom tier is removed while overhanging gear on the top tier is still in place.*

Or, flip the entire stand 90 degrees and reorient the hooks to place gear at steeper angles.

ASSEMBLY

- There are two different Adapt Hooks per pair and they have foam strips located in opposite positions. Place the hooks on either the outside or inside faces of the stand's side panels. But you'll need to be consistent. That is, if you place the hook on the inside face on one side panel, you'll need to place the other hook on the inside face of the other panel.
- Orient each hook so that:
 - Tab points up
 - Smooth face contacts rubber trim on side panel
 - Foam strip contacts side panel below rubber trim
- Install each Adapt Hook using two screws and two wing nuts. The screws should go through holes in the main side panels. Select holes that are as far apart as possible. The screw heads can be located on either side of the side panel.
- It's not necessary to use a screwdriver. Simply press the tip of a finger against the head of the screw to prevent it from spinning, then twist the wing nut until it is tight.