



# Zarges Molle Lid Panel

Part Number: (700-1889-ZINC)



# READ CAREFULLY



**LID MAY NOT CLOSE IF INSTRUCTIONS ARE NOT FOLLOWED**

**General:** The Zarges Molle Lid Panel is designed to fit cases with lid sizes 23" in length x 15" in width but can be installed in larger cases as well.

These instructions are designed for mounting to case models:

40810, 40568, 40678, 40564, 40701, 40702, 40703, 40861, and 40877.

**Items Included:**

A. Molle Panel (x1 pc.)

B. Screws, 1/4"-20 Stainless Steel (x4 pc.)

C. Hex Standoff, 1/4"-20 (x4 pc.)

D. Threaded Knob (x4 pc.)

E. Rubber Plug (x4 pc.)

F. Instruction Sheet

**Tools Required:**

A. Safety Glasses

B. Gloves

C. Measuring Tape

D. Marker

E. Drill & 1/4" Drill-bit

F. Phillips-head screwdriver

G. Knife and/or deburring tool

**Instructions:**

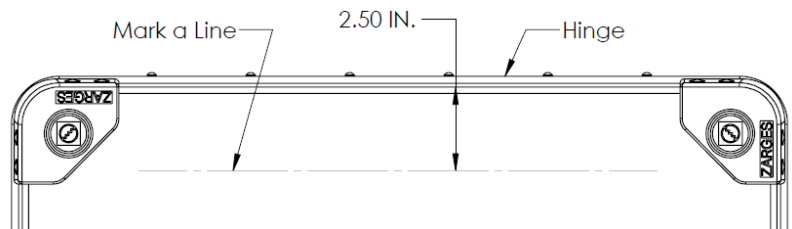
1. Scan the QR code for an instruction video or keep reading.



2. Remove Molle panel from packaging.

3. Place your Zarges case on a flat surface. Remove contents of case. Close and latch the lid.

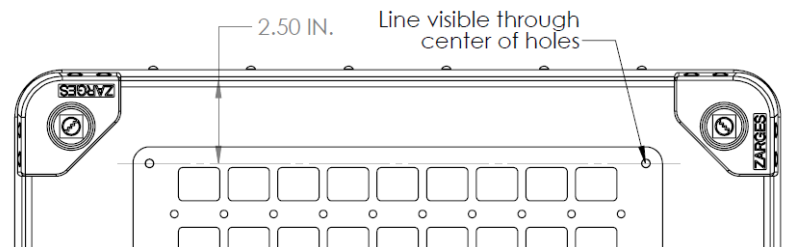
4. Measure 2.5" from the edge of the case lid on the **hinge side**. Mark a line parallel to the case edge. Mounting holes will be drilled on this line.



**IMPORTANT!** Mounting the panel less than 2.5" from the lid edge may prevent lid from closing.

5. Lay the Molle panel on the case lid so the line is visible through the mounting holes.

Be sure the Molle panel is centered from side to side.



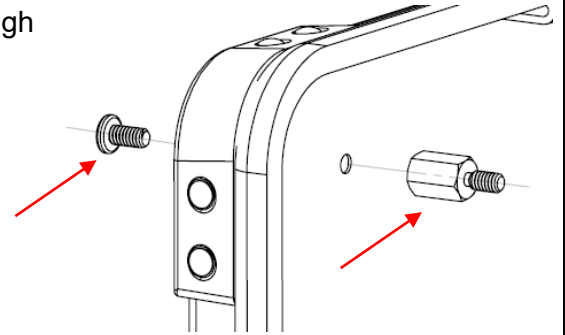
6. Holding the Molle panel securely in position, mark the location of all four corner holes onto the case lid. Remove the Molle panel.

7. Wear safety glasses and gloves. Drill a ¼" hole through the case lid at all four marked locations.

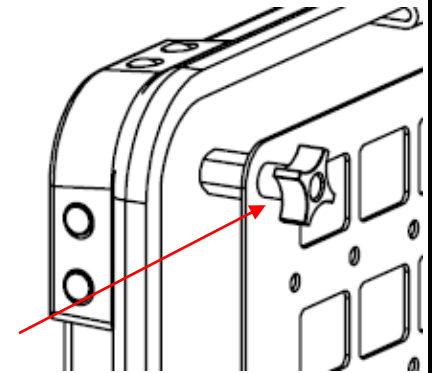
8. Open the case lid and remove any sharp edges from the rear side of the holes. Clean up any metal shavings. Clean off any leftover markings.

9. Before mounting the Molle panel, install your storage pouches, straps, cords, and any other Molle accessories to the Molle panel.

10. Use a screwdriver to Install the screws and hex standoffs through each of the four holes as shown.



11. Mount the Molle panel over the studs. Secure it by threading on the four knobs.



12. If you choose to remove your Molle panel, install the four rubber plugs into the mounting holes. (Image)

