

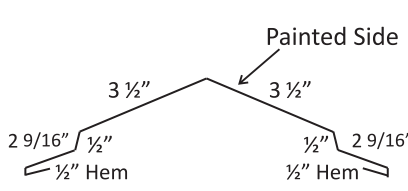
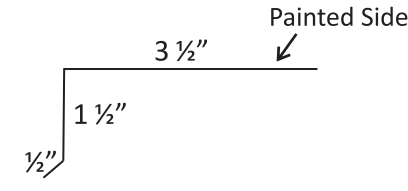
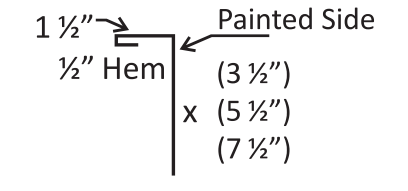
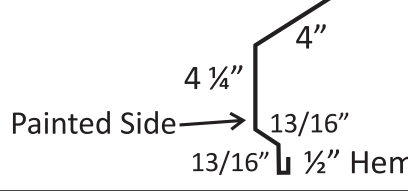
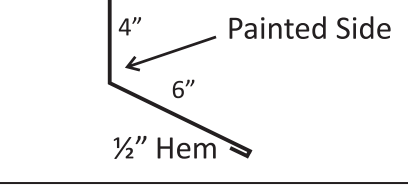
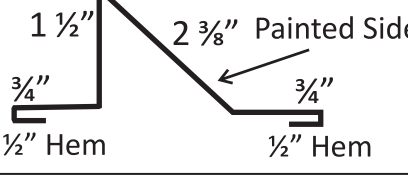
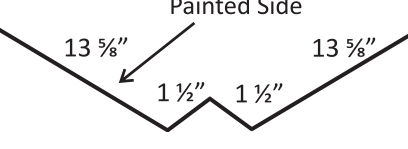
**FRONTIER METAL**

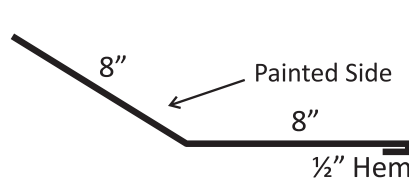
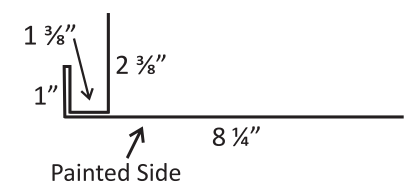
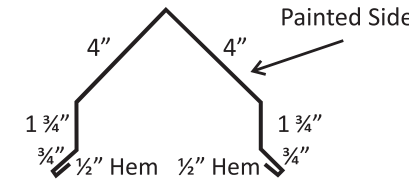
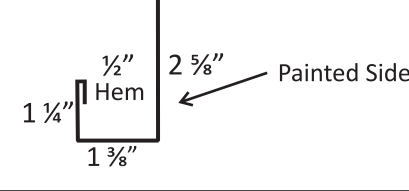
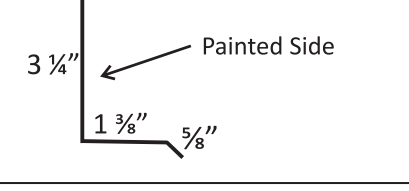
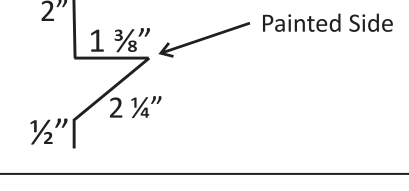
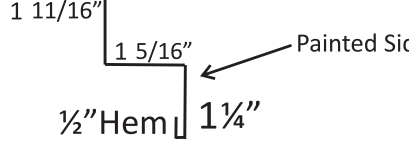
# R-RIB PANEL



*R-Rib is available with our 40-Year Warranty and has a minimum thickness of .0185 before paint and an AZ50 (1.6 Mil) Galvalume® substrate. It also carries 20 Year Perforation Warranty on a Galvalume® steel substrate. All colors have an Energy Star® rating and comes with a UL® 2218 Class 4 impact rating and a UL® 790 fire rating. R-Rib is offered in a 80,000 PSI maximum hardness to allow for the intricate bends of this panel.*

# R-RIB TRIMS

29 GAUGE R-RIB TRIMS	PART	LENGTH
	Ridge Cap	10' 4"
	Drip Edge	10' 4"
	Angle Trim	10' 4"
	Eave Trim	10' 4"
	End Wall Flashing	10' 4"
	Snow Guard	10' 4"
	Valley Flashing	10' 4"

29 GAUGE R-RIB TRIMS	PART	LENGTH
	Transition Flashing	10' 4"
	Overhead Door Trim CR	10' 4"
	CR Corner	10' 4" 12' 4" 14' 4" 16' 4" 18' 4" 20' 4"
	CR J Channel	10' 4"
	CR Drip Flashing	10' 4"
	CR Rat Guard	10' 4"
	CR Z Bar	10' 4"