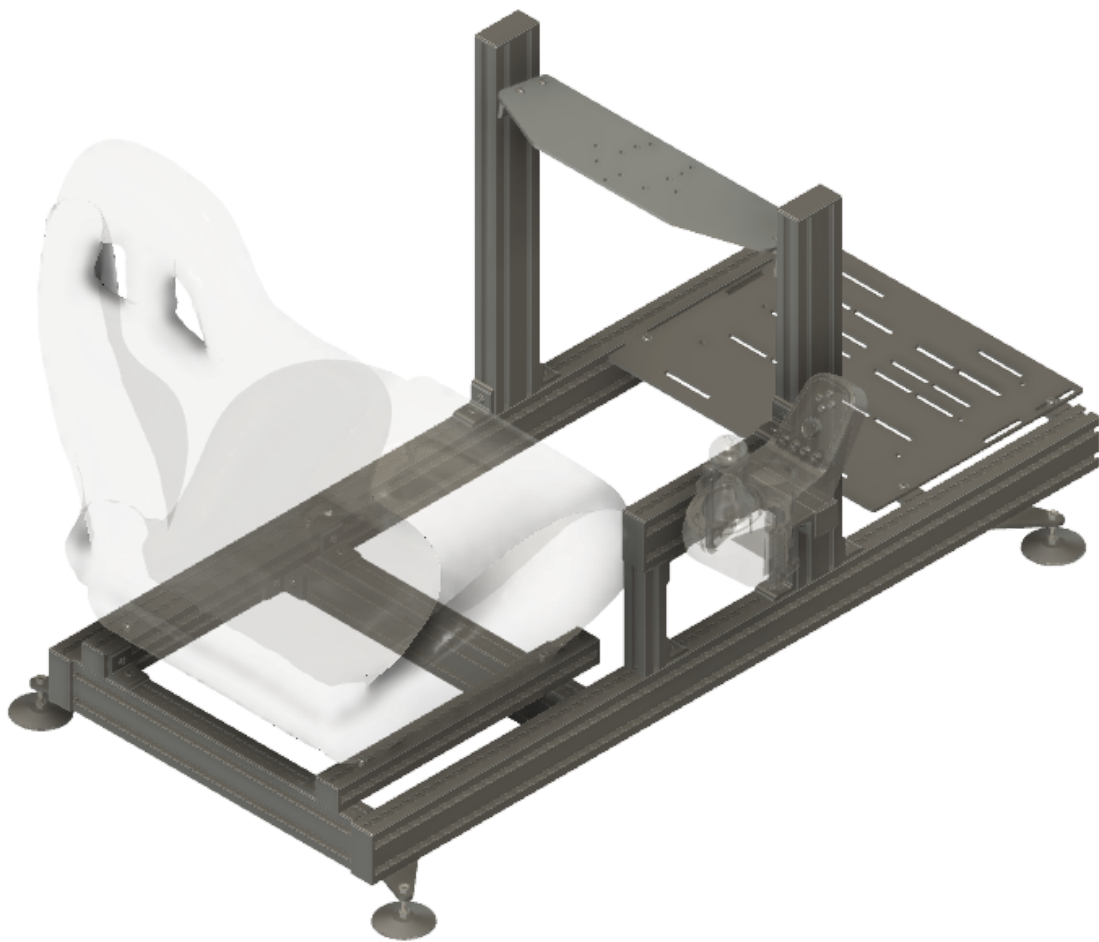




RCP Cockpit Sport Manual (v.04/2021.1)



If you need any assistance building, please let us know. We are here to help!

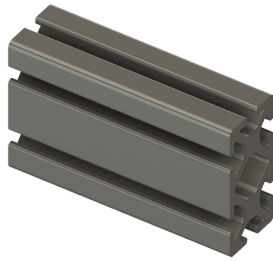
Team@RacingCockpits.com +1(833)RACING2

©2021 Racing Cockpits Operating Company, LLC

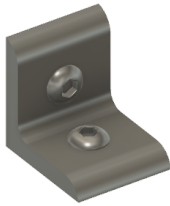
RCP Cockpit Sport: Parts Guide



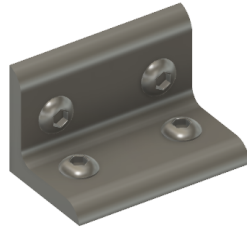
1-Slot Profile



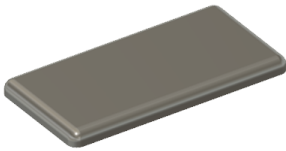
2-Slot Profile



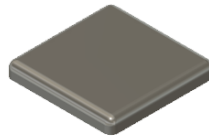
2-Hole 90° Corner Bracket



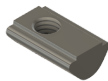
4-hole 90° Corner Bracket



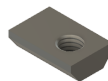
2-Hole End Cap



1-Hole End Cap



Standard Spring T-Nut



Flat Nut



16mm Standard Bolt



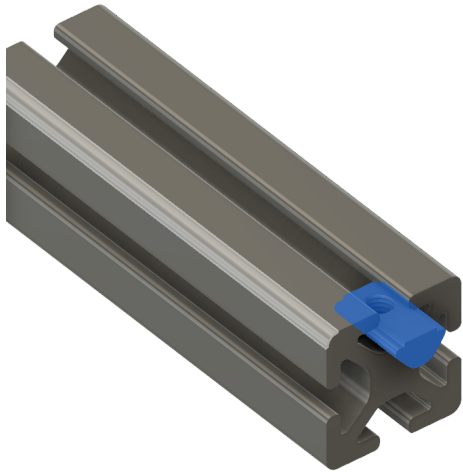
12mm SHORT Bolt



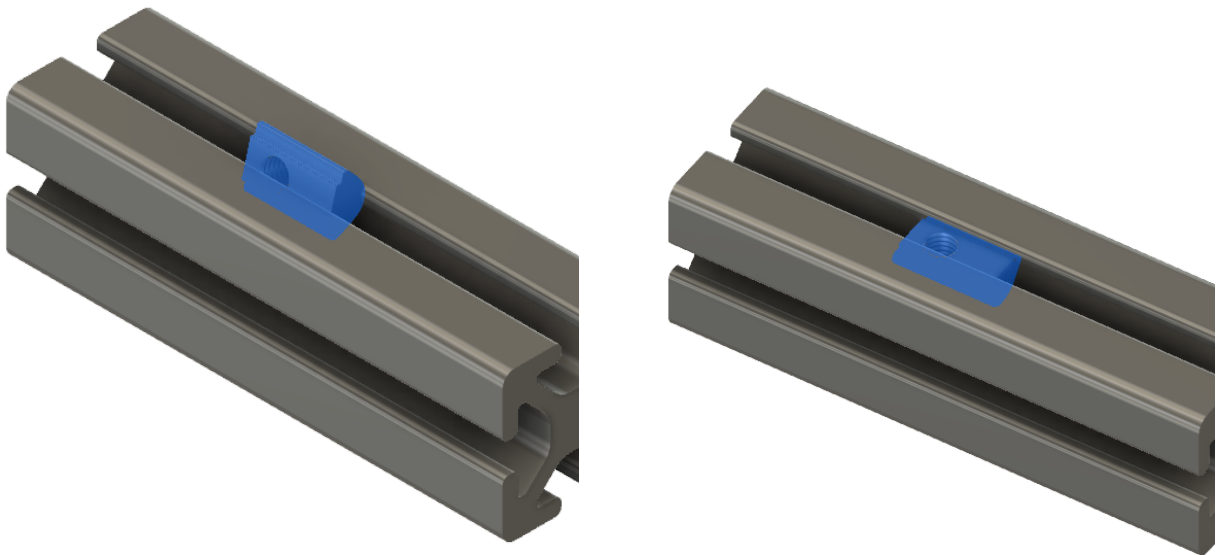
20mm LONG Bolt

How to Use T-Nuts: A Quick Guide

Method 1: Simply slide T-Nut into T-Slot from the side.

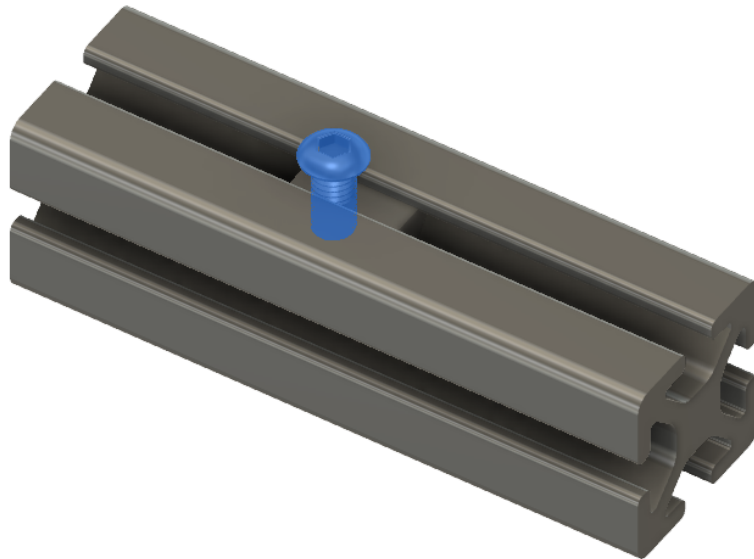
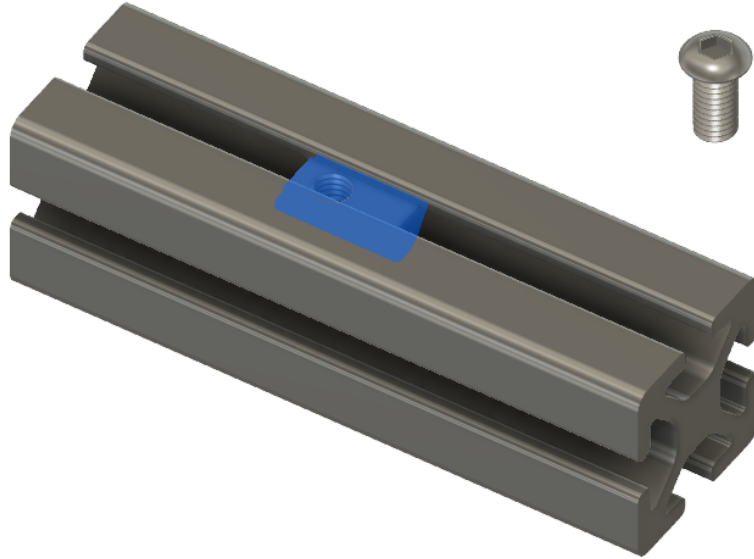


Method 2: Push T-Nut into T-Slot at an angle then snap into place so it ends up flat. You can lever the allen wrench in the screw hole to help with this. ***This method is what you will use once the ends are blocked.***



How to Use T-Nuts: A Quick Guide (Cont.)

Once T-Nut is in place, simply secure bracket etc. with the correct length screw.



Build Guide

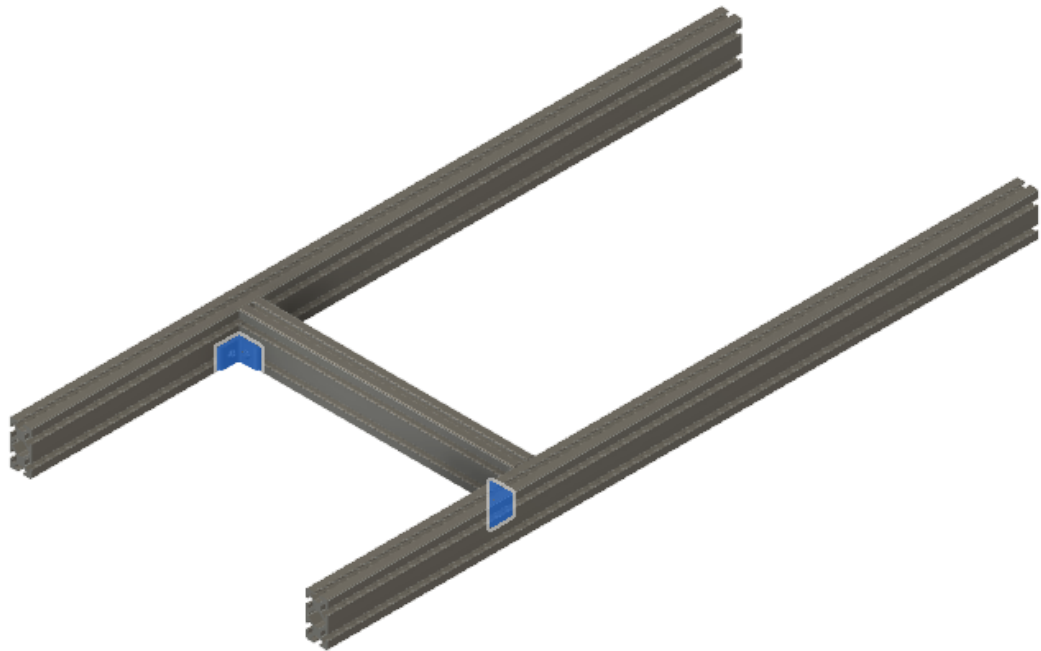
Step 1: Connect Middle & Side Rails

Profile:

- 2 x 48" 2-Slot Profile
- 1 x 18.5" 2-Slot Profile

Hardware:

- 2 x 2-hole 90° Corner Brackets
- 4 x 16mm Standard Bolts
- 4 x Standard Spring T-Nuts



Page 5



RCP Cockpit Sport Manual (v.04/2021.1)

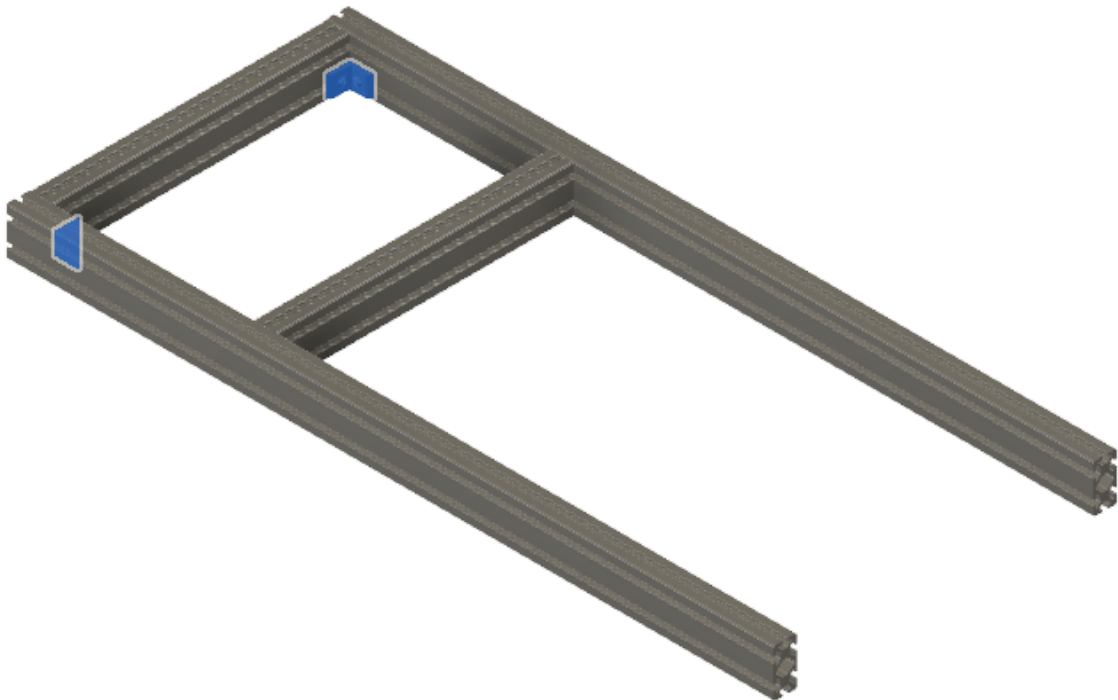
Step 2: Connect Back Rail

Profile:

- 1 x 18.5" 2-Slot Profile (with back logo design)

Hardware:

- 2 x 2-Hole 90° Corner Brackets
- 4 x 16mm Standard Bolts
- 4 x Standard Spring T-Nuts



Page 6

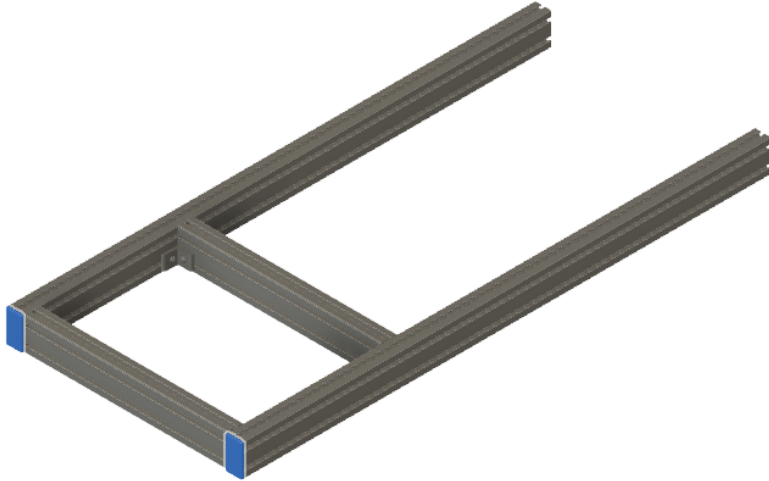


RCP Cockpit Sport Manual (v.04/2021.1)

Step 3: Add Back End Caps

Hardware:

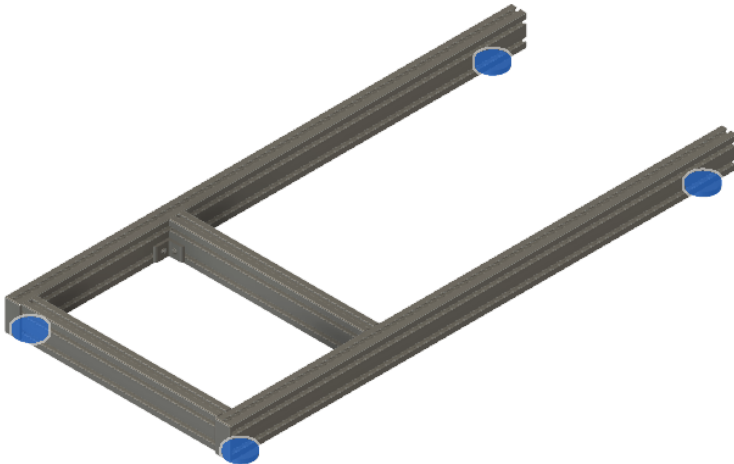
- 2 x 2-Hole End Caps



Step 4: Place Floor Sliders Under Base

Hardware:

- 4 x Floor Sliders (Place under with fabric side down, rubber side up)



Page 7



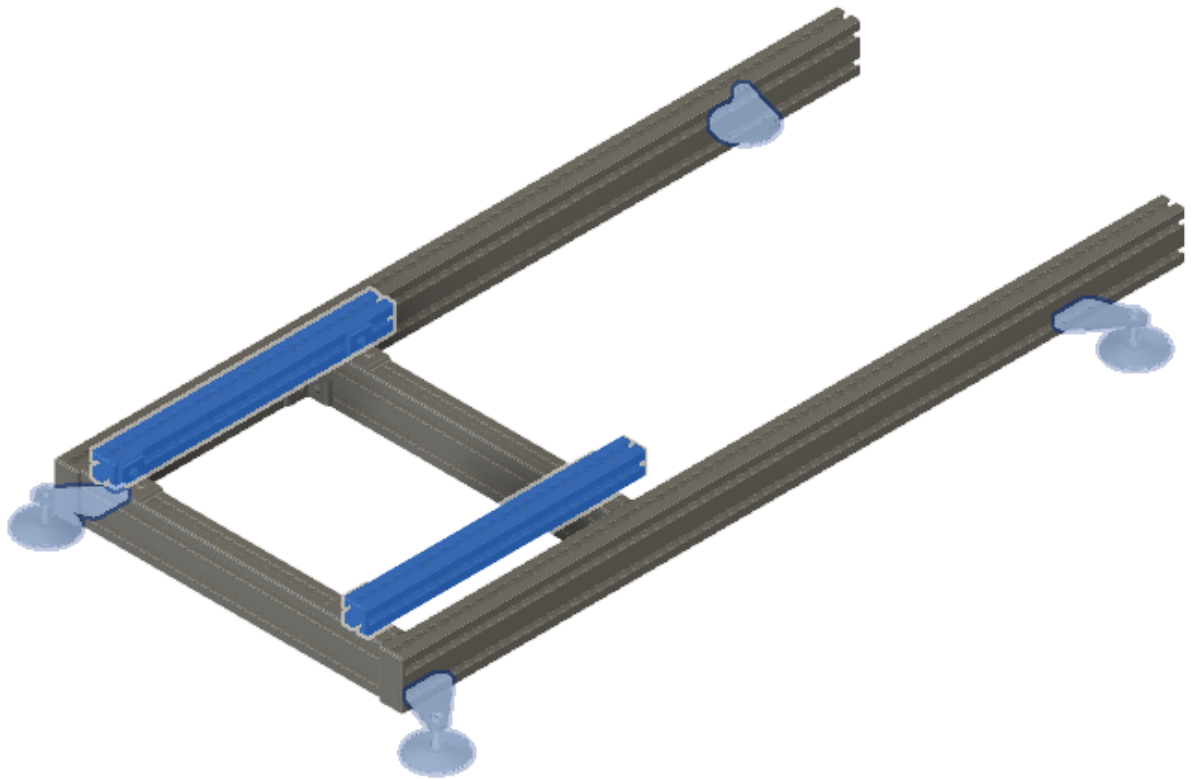
RCP Cockpit Sport Manual (v.04/2021.1)

Optional Installation Guides

Sim Risers / Vibration Plates

GT Seat Rails

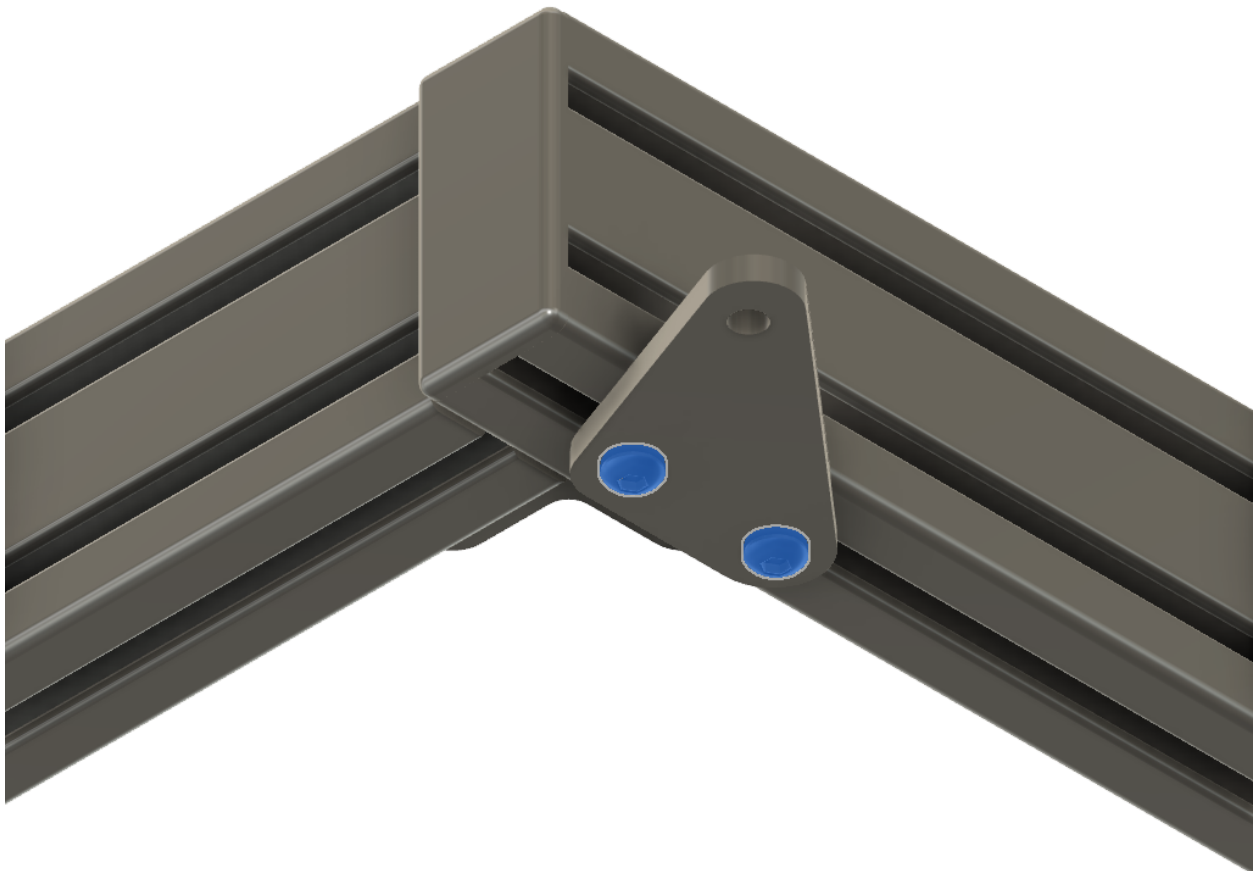
Please skip ahead if not purchased.



Step 5 (Optional): Install Sim Riser Brackets

Hardware:

- 4 x Steel Sim Riser Plates
- 8 x 16mm Standard Bolts
- 8 x Standard Spring T-Nuts



Page 9

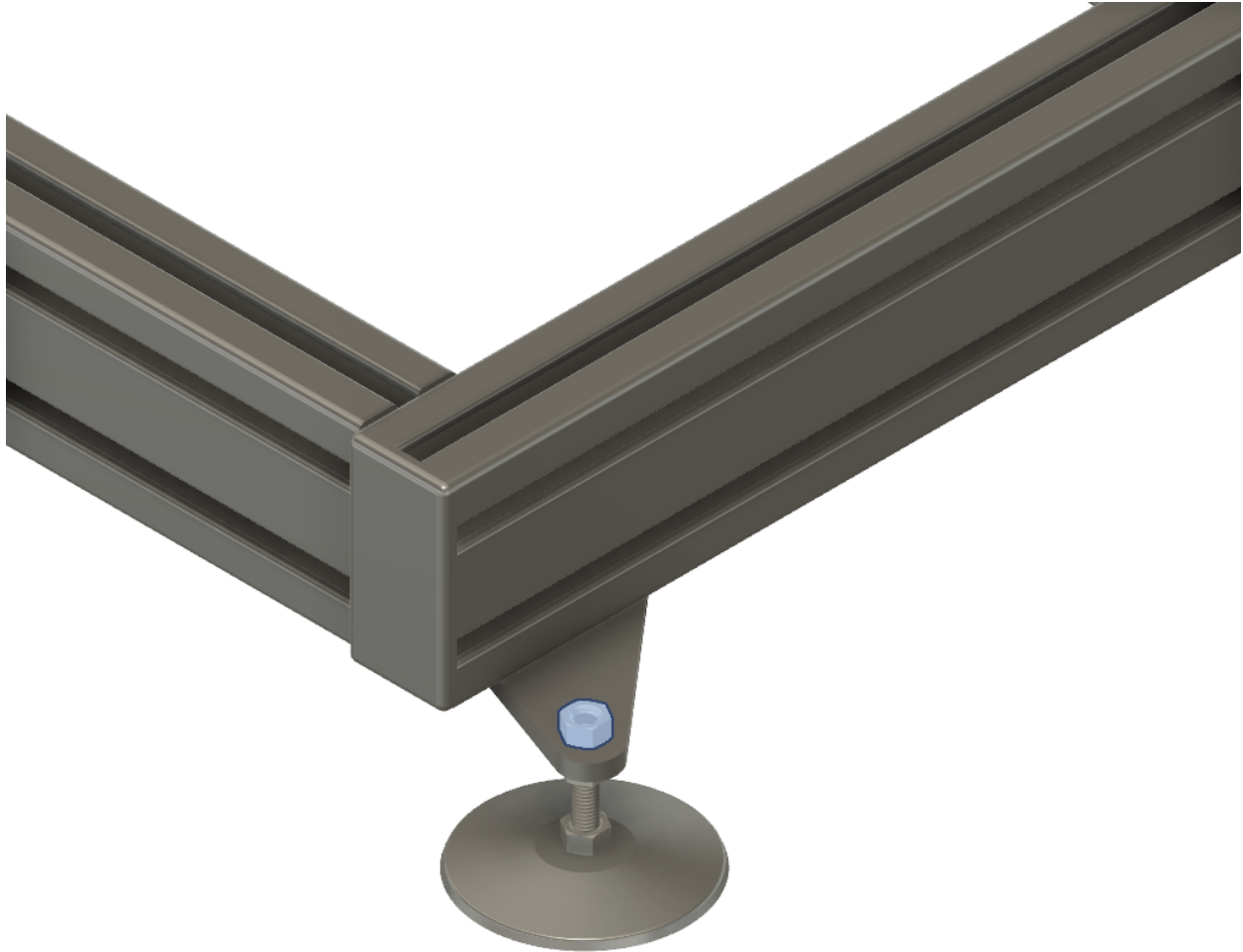


RCP Cockpit Sport Manual (v.04/2021.1)

Step 6 (Optional): Install Risers & Rubber Feet

Hardware:

- 4 x Riser Studs with Rubber Feet (tap 2 pieces together with hammer)
- 4 x M8 Top Nuts



Once installed, place floor sliders fabric side down, rubber side up UNDER the rubber feet. This allows you to be able to move your rig around by sliding it. It also protects your floors.

Page 10



RCP Cockpit Sport Manual (v.04/2021.1)

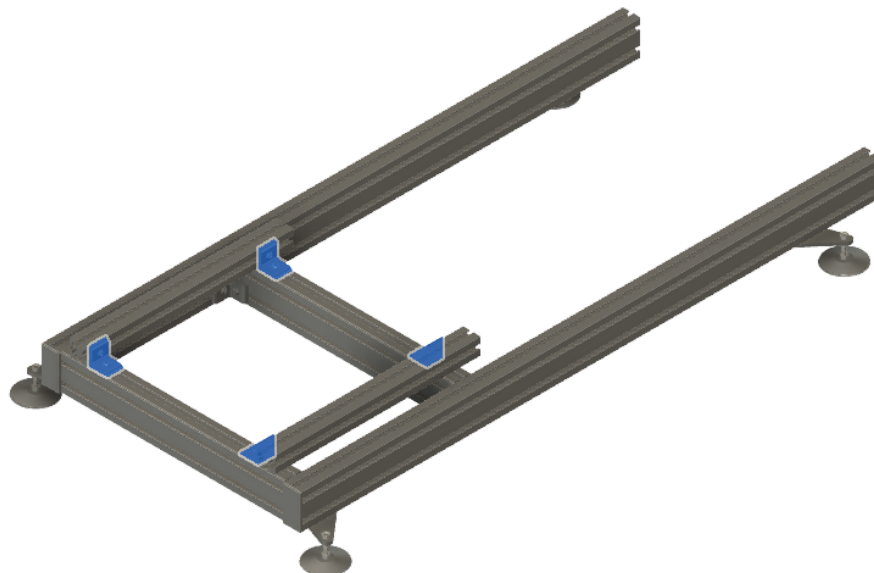
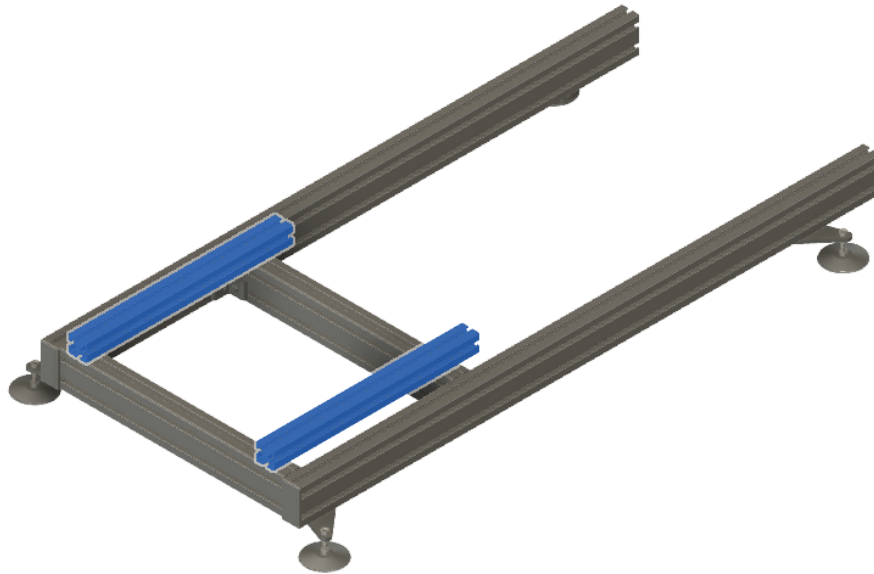
Step 7 (Optional): Install GT Seat Rails & Brackets

Profile:

- 2 x 17" 1-Slot Profile

Hardware:

- 4 x 2-Hole 90° Corner Brackets
- 8 x 16mm Standard Bolts
- 8 x Standard Spring T-Nuts



Page 11

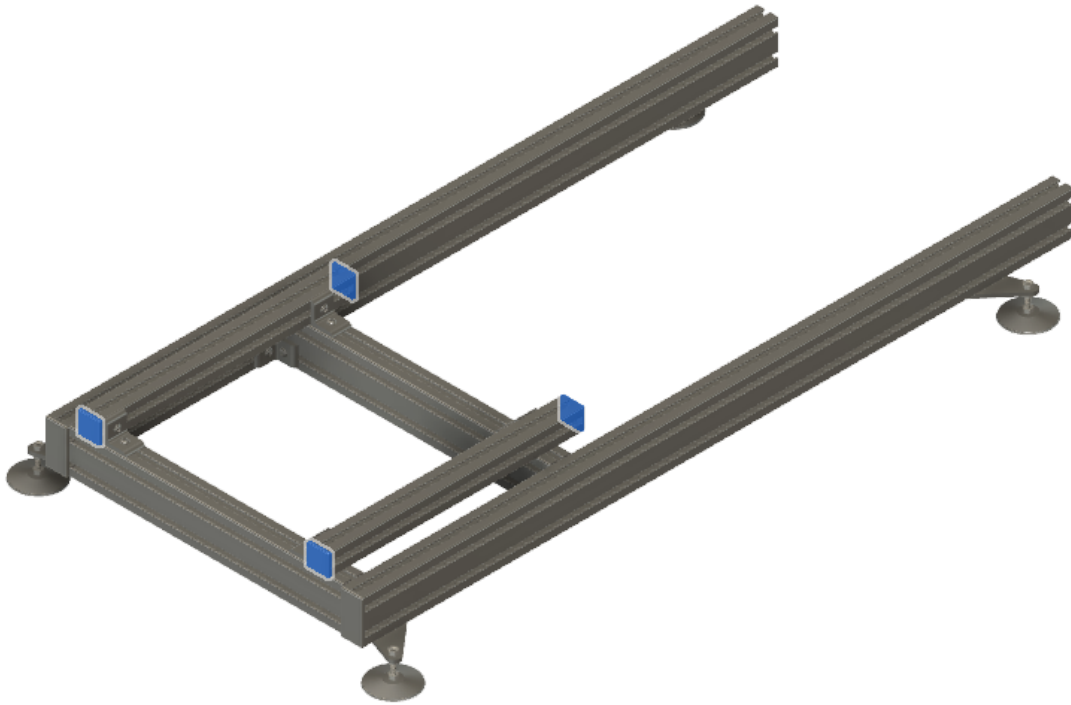


RCP Cockpit Sport Manual (v.04/2021.1)

Step 8 (Optional): Install End Caps

Hardware:

- 4 x 1-Hole End Caps



Page 12



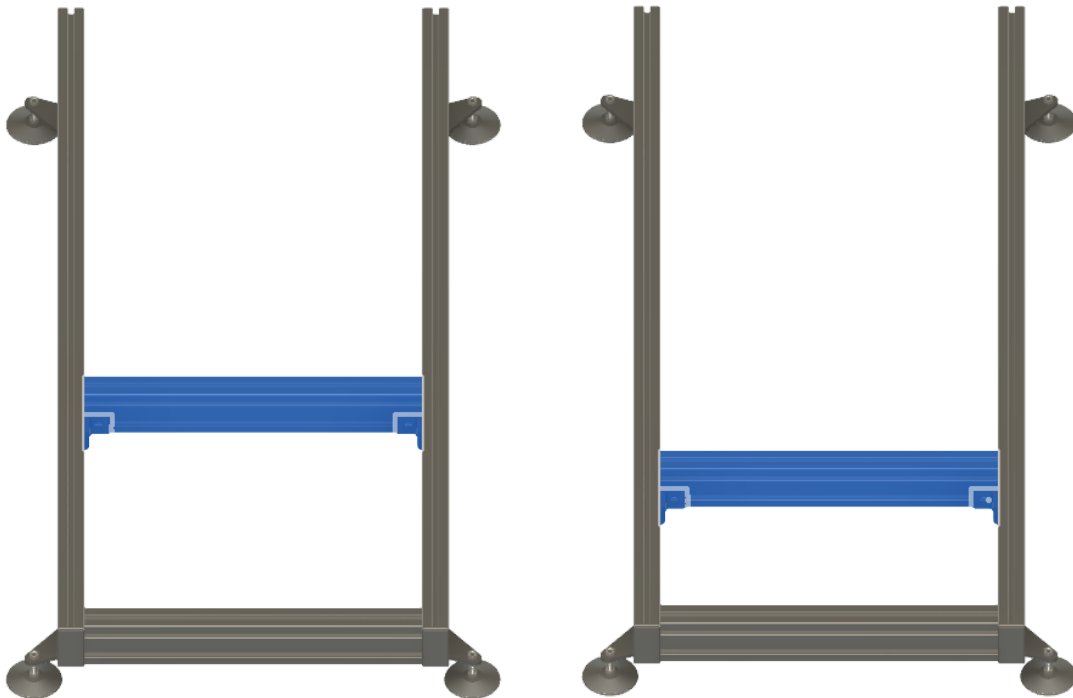
RCP Cockpit Sport Manual (v.04/2021.1)

Step 9A: Install Racing Seat (without GT Rails)

Hardware:

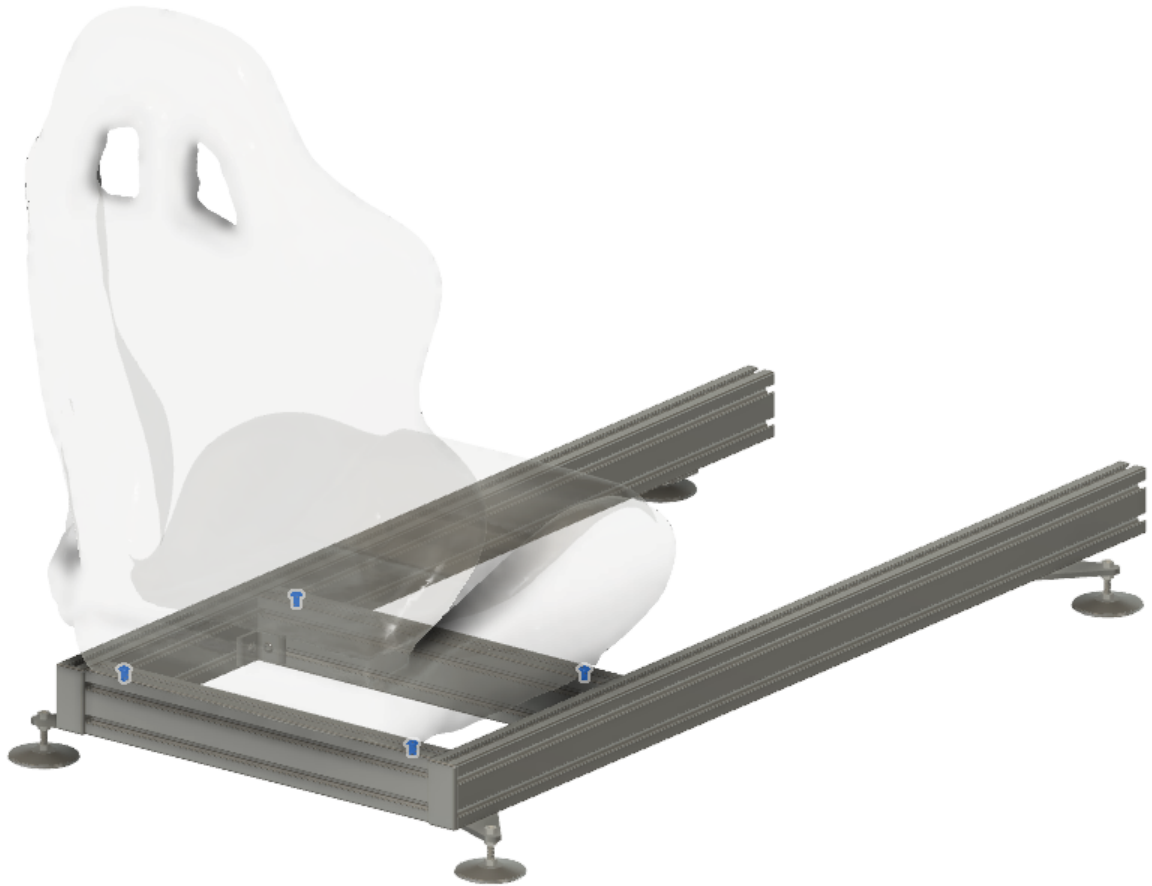
- 4 x 12mm **SHORT** Bolts
- 4 x Standard Spring T-Nuts

Move mid 2-slot profile forward & back to line up with your seat mounting holes.



Notes:

- Use **short** 12mm bolts to bolt your racing seat into the T-Nuts in the Mid & Back T-Slots.
- If your seat has slider rails, you will need to slide them all the way forward to mount the back, and all the way back to mount the front.

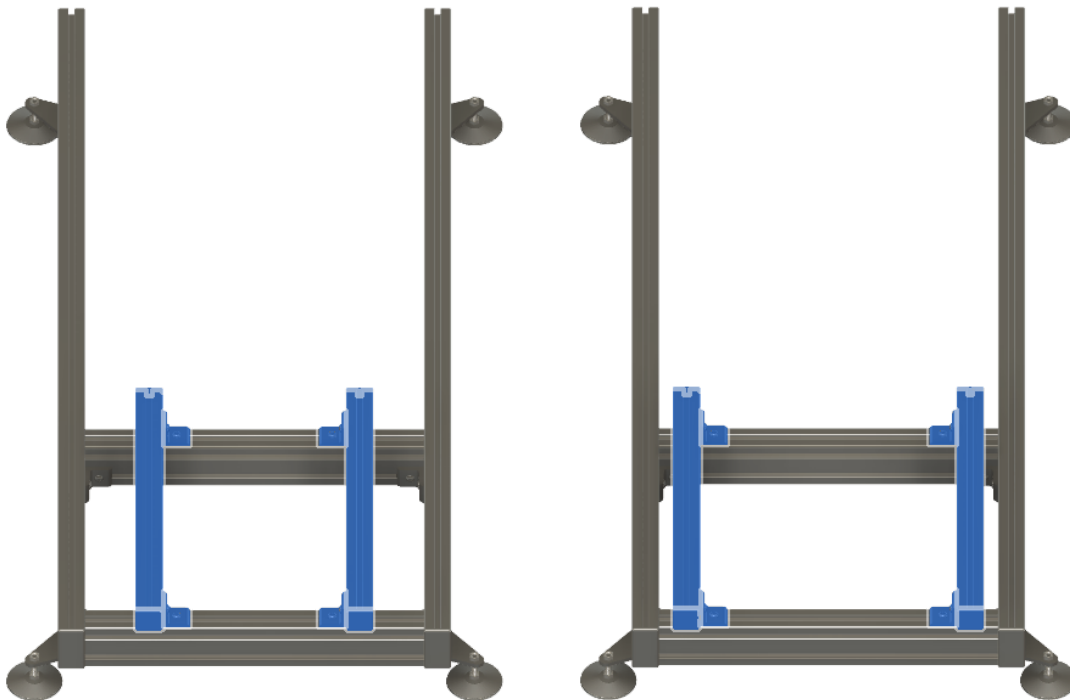


Step 9B: Install Racing Seat (with GT Rails)

Hardware:

- 4 x 12mm **SHORT** Bolts
- 4 x Standard Spring T-Nuts

Slide GT Rails in and out as necessary to line up the seat mounting holes.



Notes:

- Use **short** 12mm bolts to bolt your racing seat into the T-Nuts in the GT Rail T-Slots.
- Mount seat lined up with the back of the rig. The back screws should be a few inches in from the end of GT Seat Rails (To allow you to slide them back later if needed in fine tuning).
- If your seat has slider rails, you will need to slide them all the way forward to mount the back, and then all the way back to mount the front.



Step 10: Install & Align Uprights:

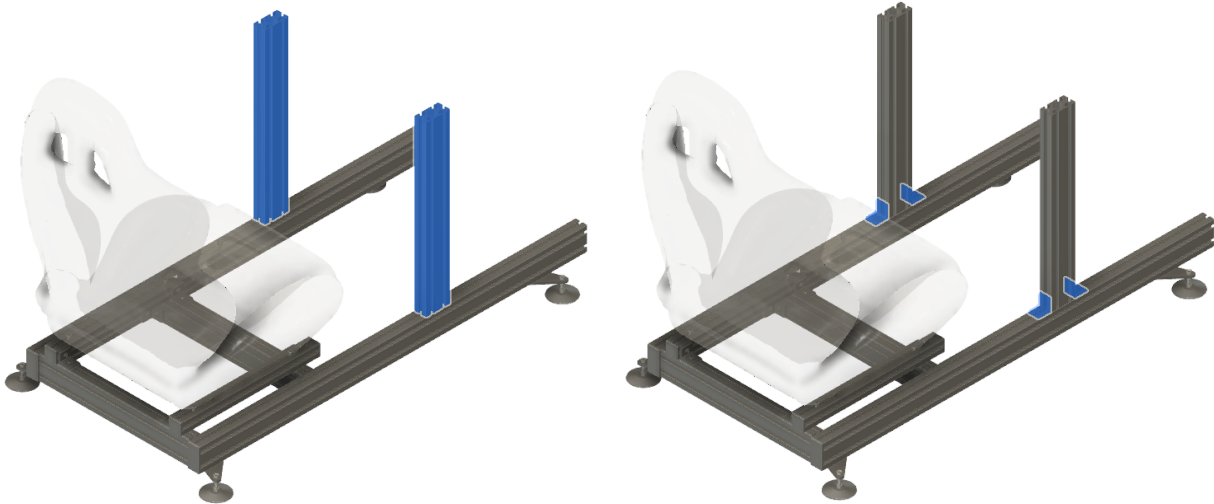
Profile:

- 2 x 21" 2-Slot Profiles

Hardware:

- 4 x 2-Hole 90° Corner Brackets
- 8 x 16mm Standard Bolts
- 8 x Standard Spring T-Nuts

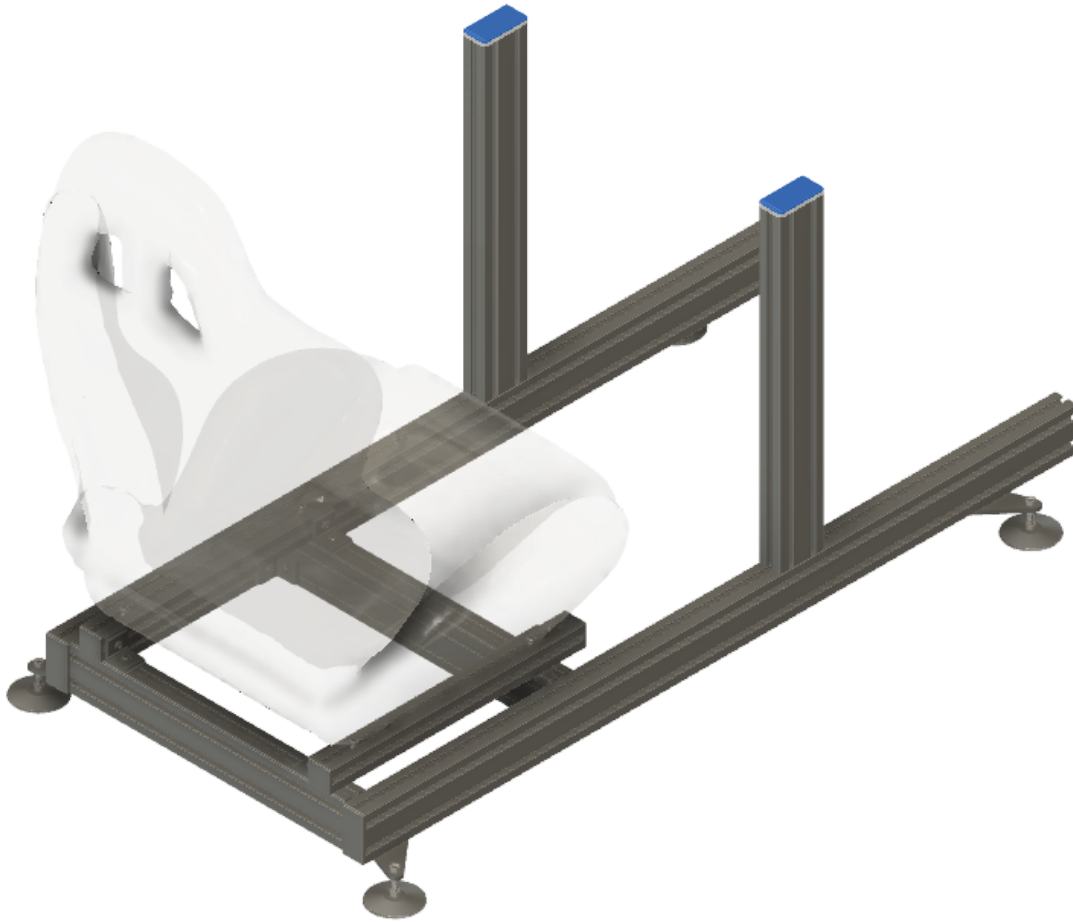
Align uprights to be just beyond your knees when sitting in your racing seat. If you have seat sliders, move the seat to the center for this measurement. This is to give a good starting position. You can fine tune later as needed.



Step 11: Install End Caps

Hardware:

- 2 x 2-Hole End Caps



Page 18



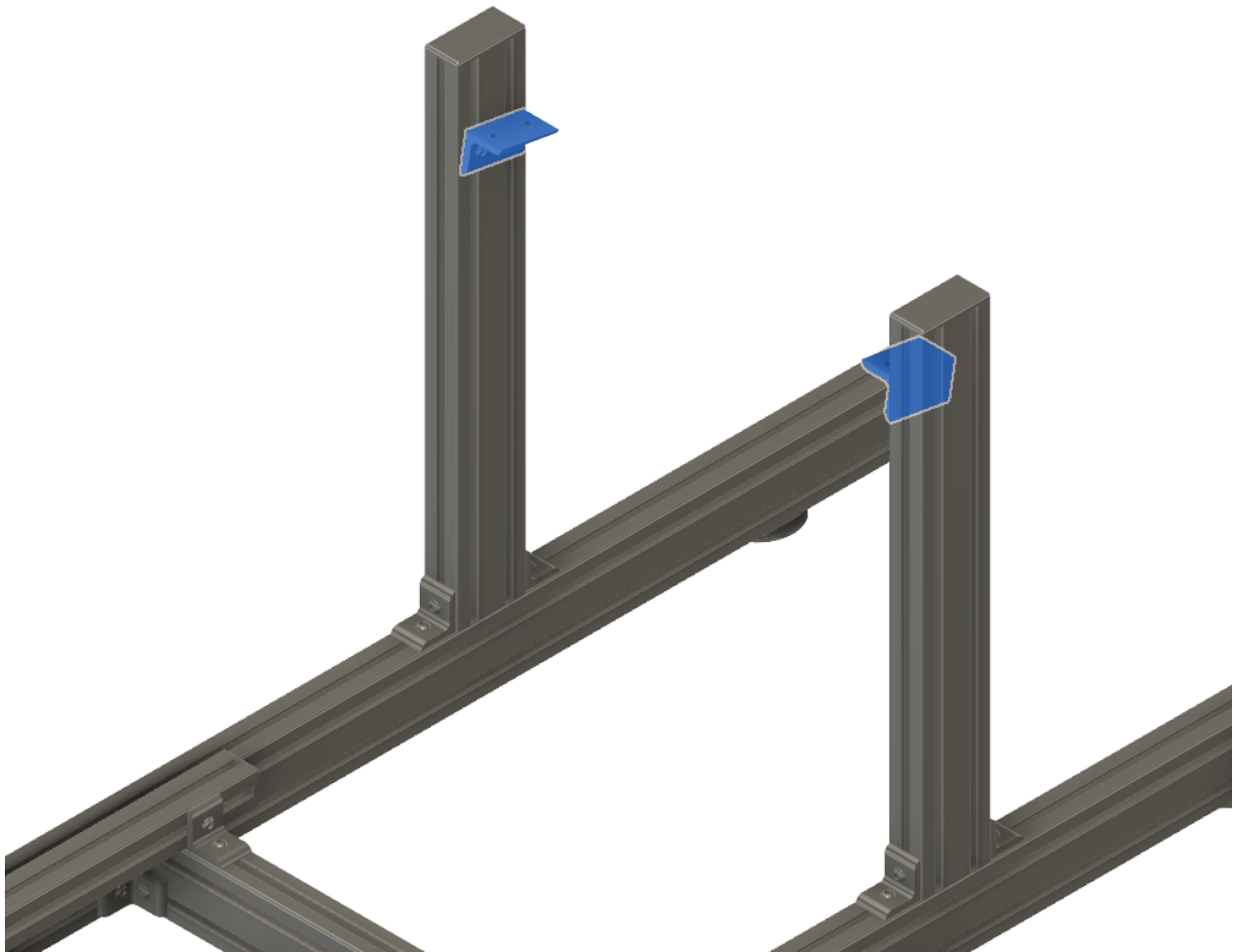
RCP Cockpit Sport Manual (v.04/2021.1)

Step 12: Install Wheel Deck Brackets

Hardware:

- 2 x 4-hole 90° Corner Brackets
- 4 x 16mm Standard Bolts
- 4 x Standard Spring T-Nuts

Align Wheel Deck Brackets to be 3-4" below shoulder height when sitting in your racing chair. Use a tape measure to ensure they are at the same height on each side. They can be angled up to 12° up or down. All of this can be fine tuned later as needed.



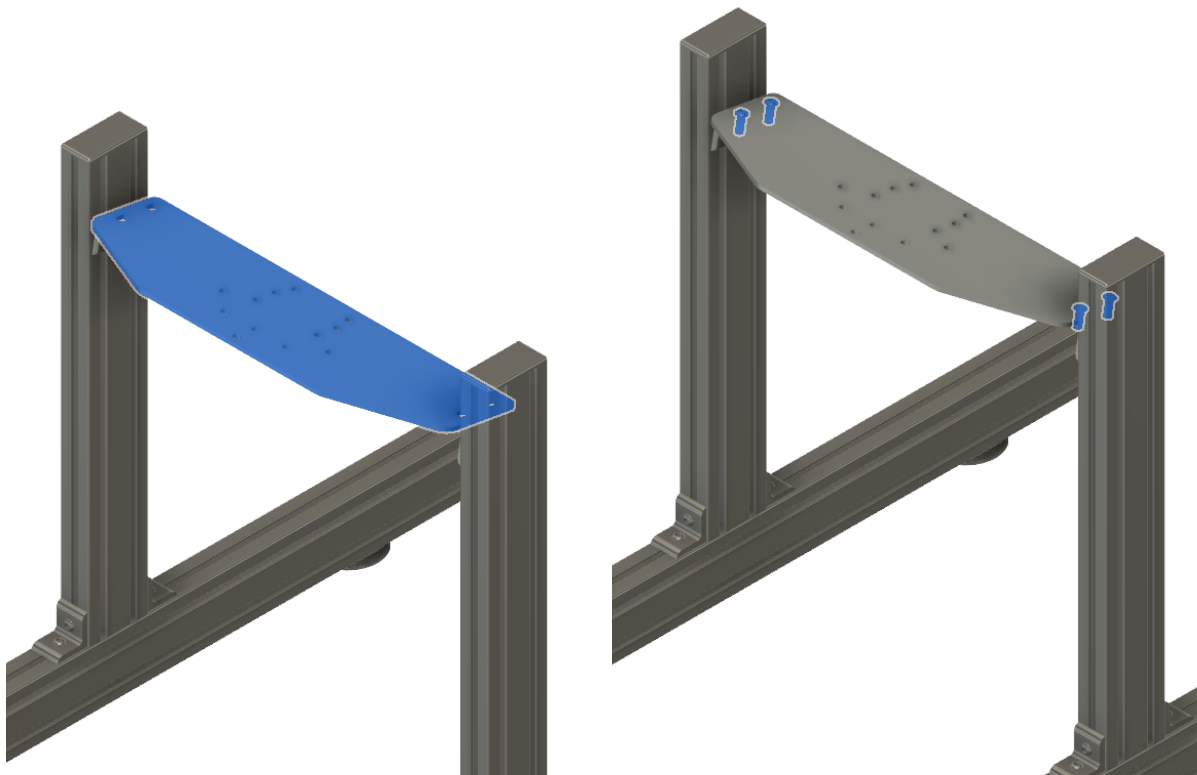
Step 13: Install Universal Wheel Deck

Hardware:

- 1 x Steel Universal Wheel Deck
- 4 x 20mm **LONG** Bolts
- 4 x **Flat** Nuts

Pass 4 x 20mm LONG Bolts through the wheel deck and mounting brackets from the top. Secure with Flat Nuts on the bottom side.

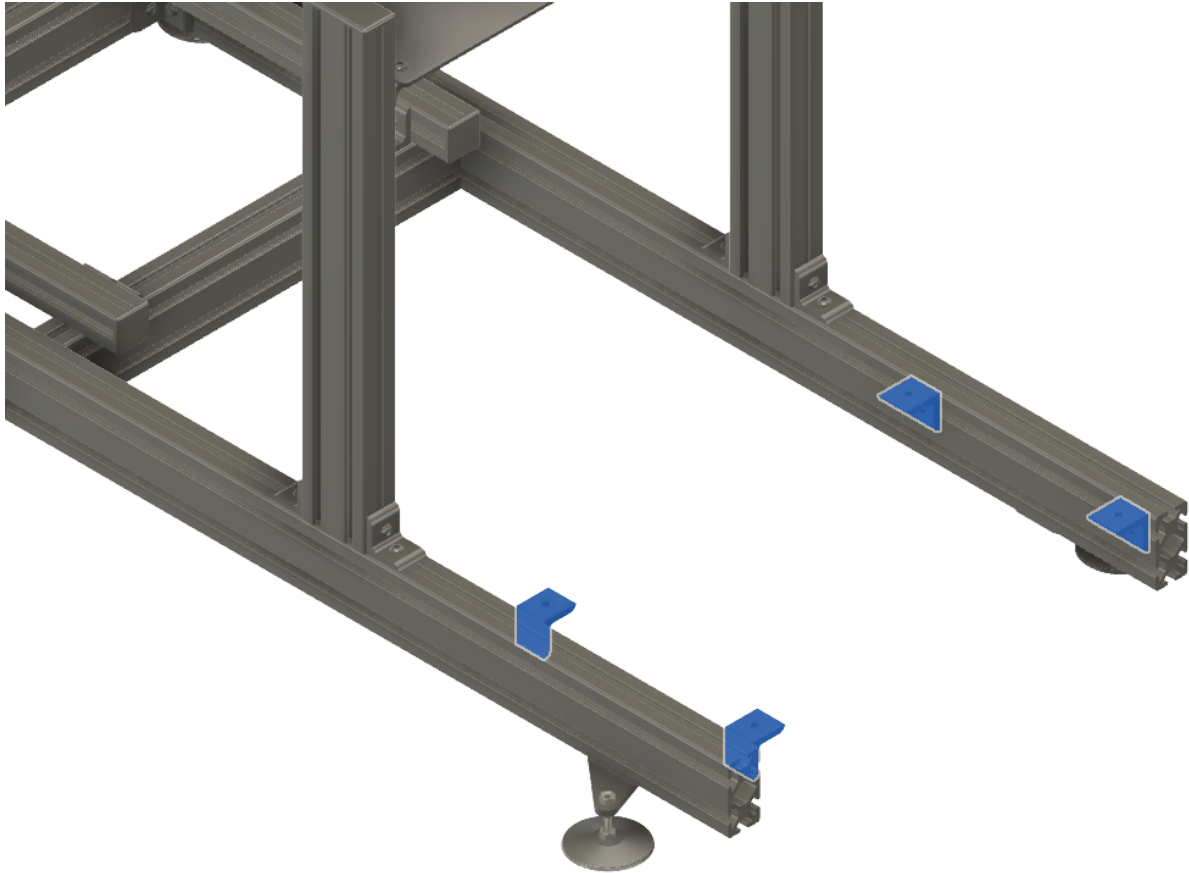
You may need to push uprights in or out to get everything aligned correctly. This is normal.



Step 14: Install Wheel Deck Brackets

Hardware:

- 4 x 2-hole 90° Corner Brackets
- 4 x 16mm Standard Bolts
- 4 x Standard Spring T-Nuts



Page 21



RCP Cockpit Sport Manual (v.04/2021.1)

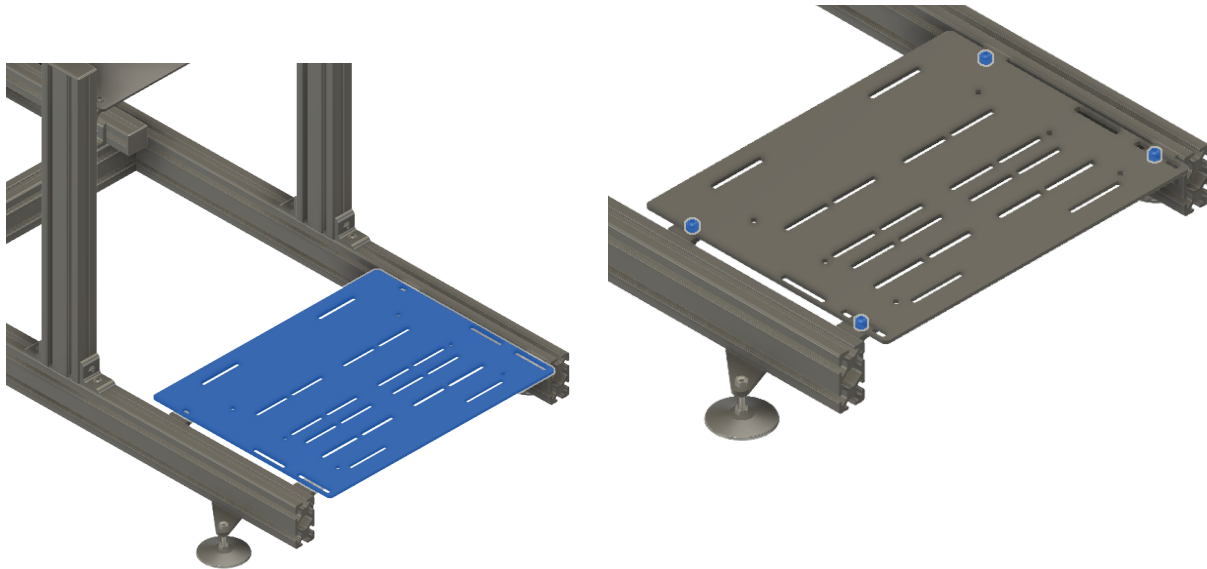
Step 15: Install & Align Universal Pedal Plate

Hardware:

- 1 x Steel Universal Pedal Plate
- 4 x 20mm **LONG** Bolts
- 4 x **Flat** Nuts

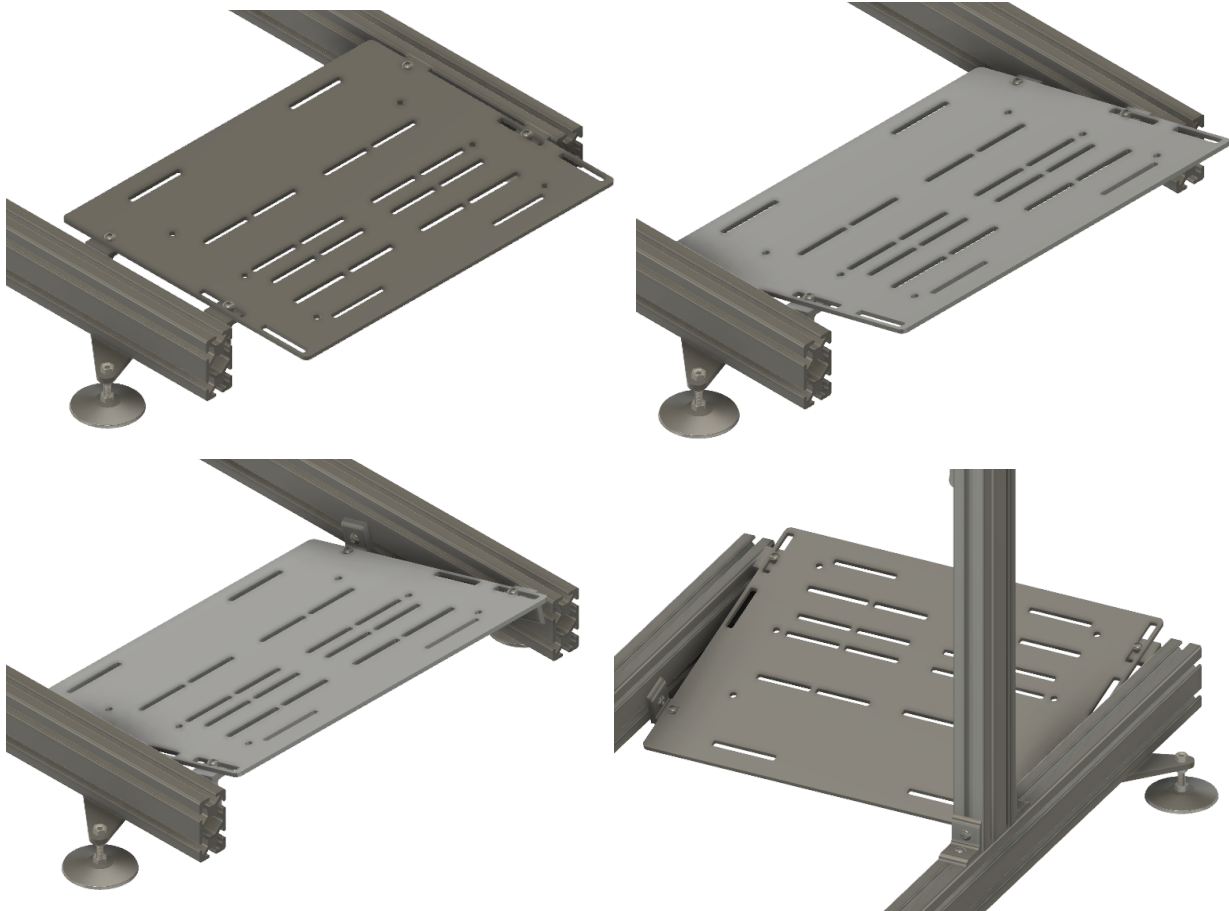
Pass 4 x 20mm LONG Bolts through the pedal plate and mounting brackets from the top. Secure with Flat Nuts on the bottom side.

You may need to loosen the back profile (with logo), and push side rails in or out slightly to get everything aligned correctly. This is normal. Just remember to tighten everything back up when you're done.



Step 15 (Cont.): Pedal Plate Mounting Examples

There are many different Pedal Plate mounting options for different heights, distances, and angles. You can even flip the 2-hole 90° Corner Brackets over to get lower like in the last 2 examples.



Step 16: Install & Align Your Wheel Base & Pedals

Hardware:

- 1 x Wheel Base & Steering Wheel (purchased separately)
- 1 x Pedal Set (purchased separately)

At this point the rig is **not fully rigid** (since shifter rails are not installed) but it is still somewhat easy to adjust the placement of everything so let's go ahead and do that.

Please install your wheel base, and pedal set now (if you haven't already). Adjust all heights and distances to your preference before moving on. Be careful when moving the uprights / wheel deck so it doesn't tip over while brackets are loosened.

Tips:

- Wheel base shaft should be about shoulder height
- Top of steering wheel should be just below eye level
- Move the pedal plate close enough so your knees are still somewhat bent when sitting in your racing chair and gas pedal is fully depressed.

Step 17: Install Shifter Rails & Brackets:

Profile:

- 1 x 6" 1-Slot Profile
- 1 x 10" 1-Slot Profile

Hardware:

- 3 x 2-Hole 90° Corner Brackets
- 6 x 16mm Standard Bolts
- 6 x Standard Spring T-Nuts

You can install shifter rails on either right or left side depending on if you'll be shifting with your right or left hand.



Page 25

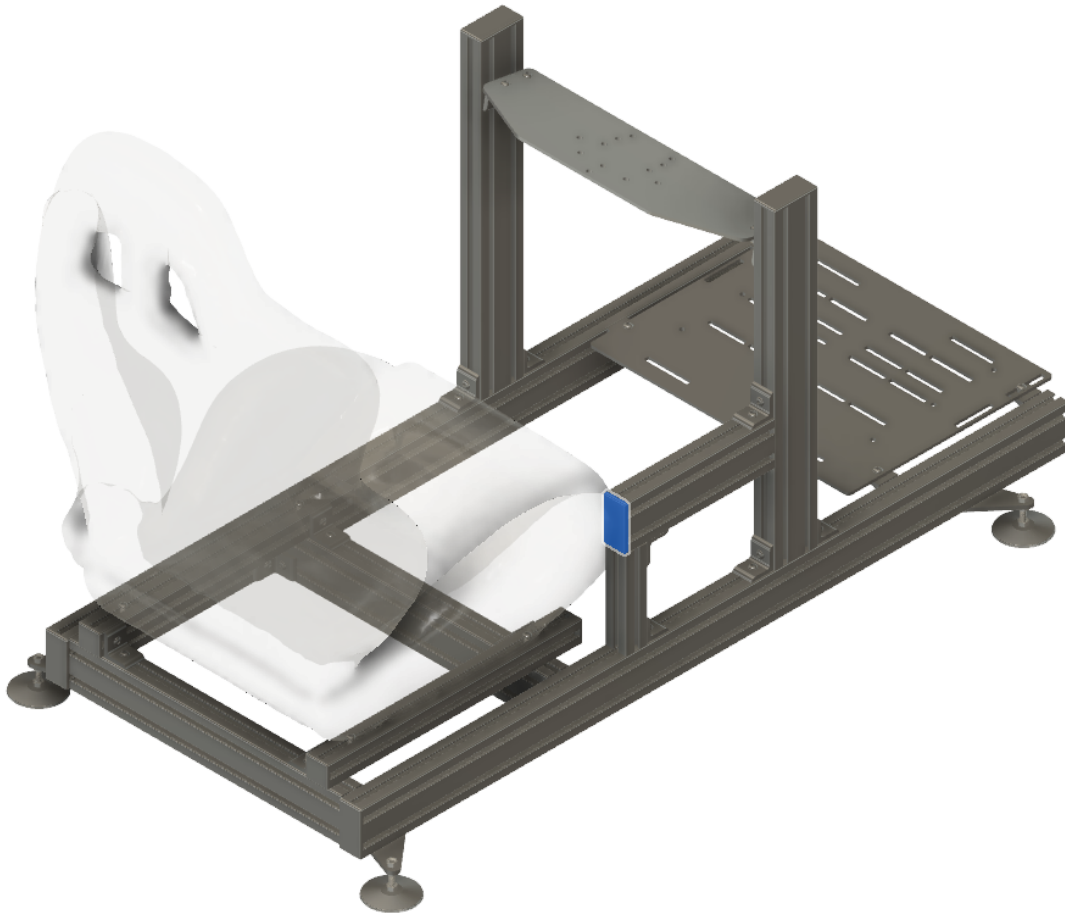


RCP Cockpit Sport Manual (v.04/2021.1)

Step 18: Install End Cap

Hardware:

- 1 x 2-Hole End Cap



Page 26



RCP Cockpit Sport Manual (v.04/2021.1)

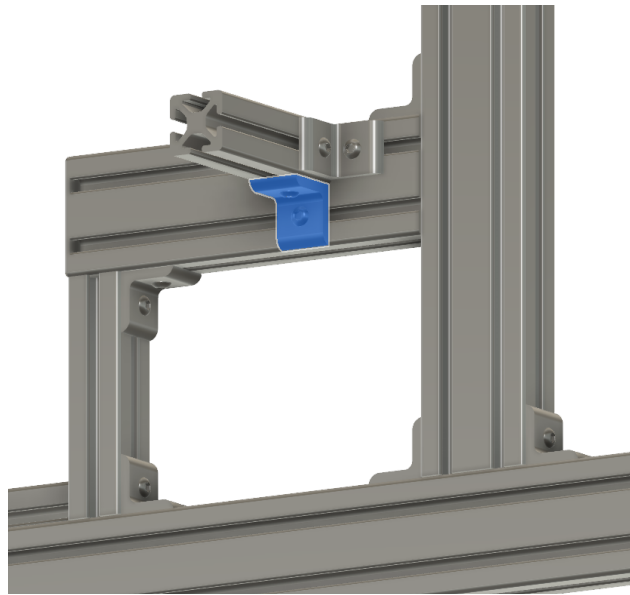
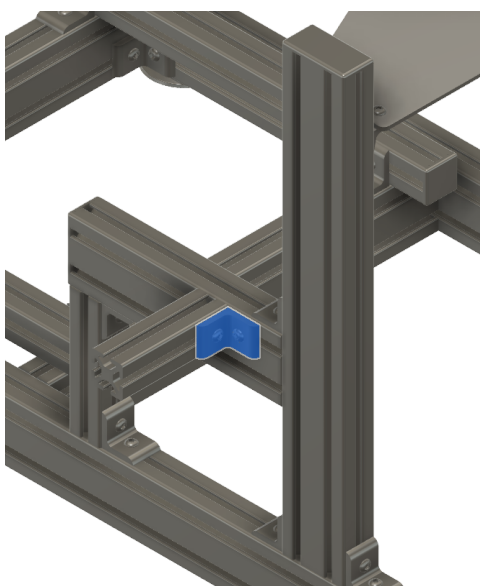
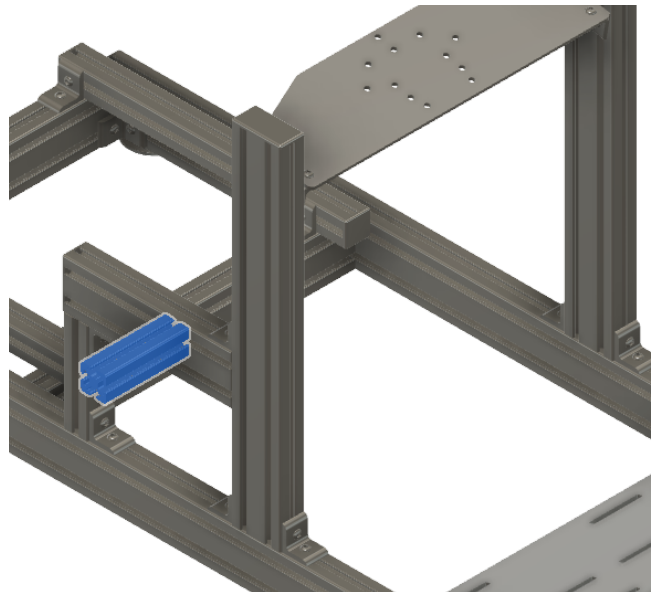
Step 19 (Optional): Install Shifter Extension Rail & Brackets

Profile:

- 1 x 5" 1-Slot Profile

Hardware:

- 2 x 2-Hole 90° Corner Brackets
- 4 x 16mm Standard Bolts
- 4 x Standard Spring T-Nuts

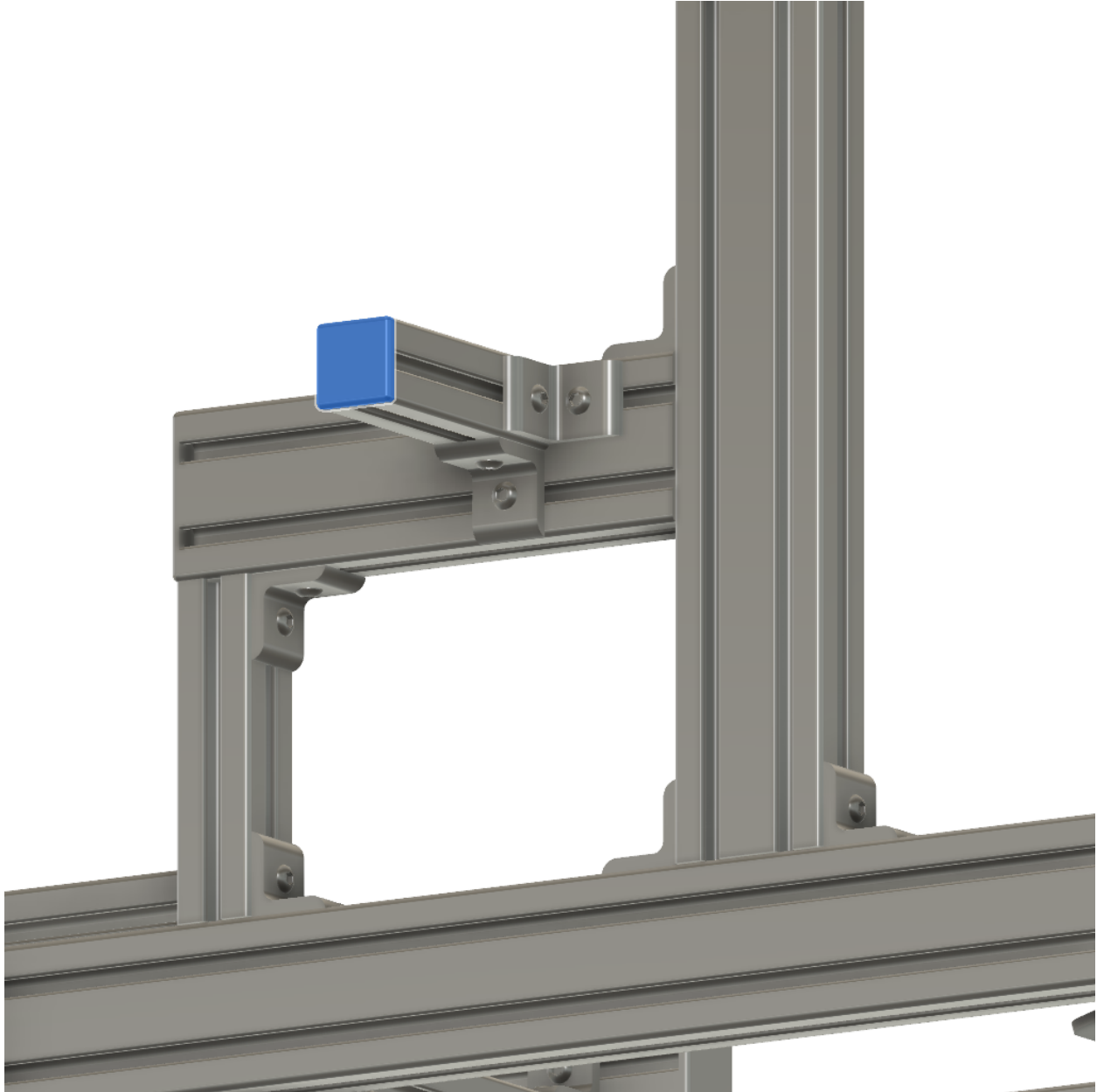


Page 27

Step 20 (Optional): Install End Cap:

Hardware:

- 1 x 1-Hole End Cap



Page 28

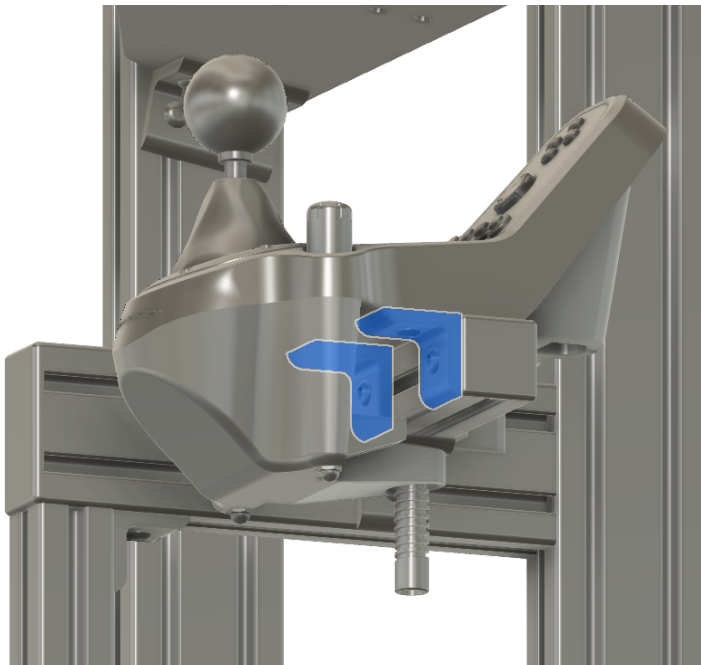
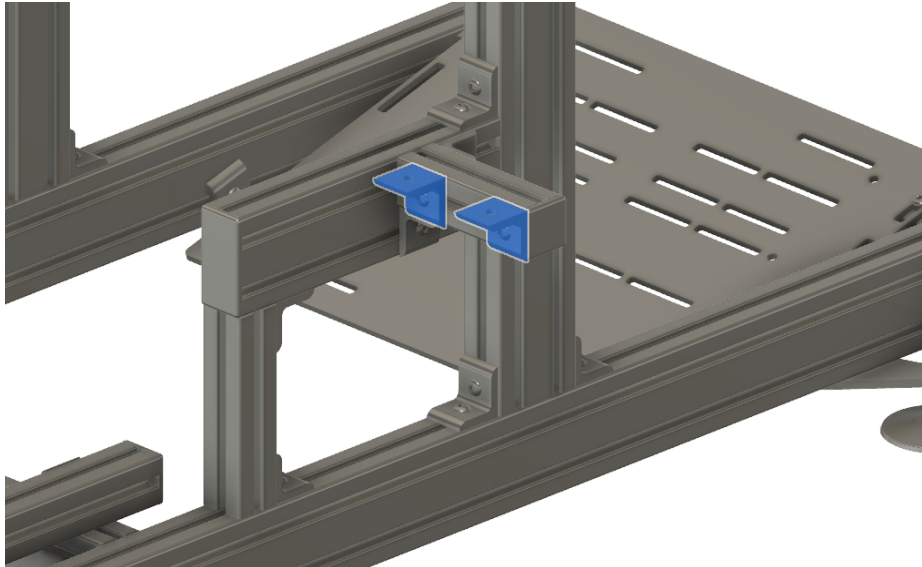


RCP Cockpit Sport Manual (v.04/2021.1)

Step 21 (Optional): Install Shifter

Hardware:

- 2 x 2-Hole 90° Corner Brackets
- 2 x 16mm Standard Bolts
- 2 x Standard Spring T-Nuts



Page 29

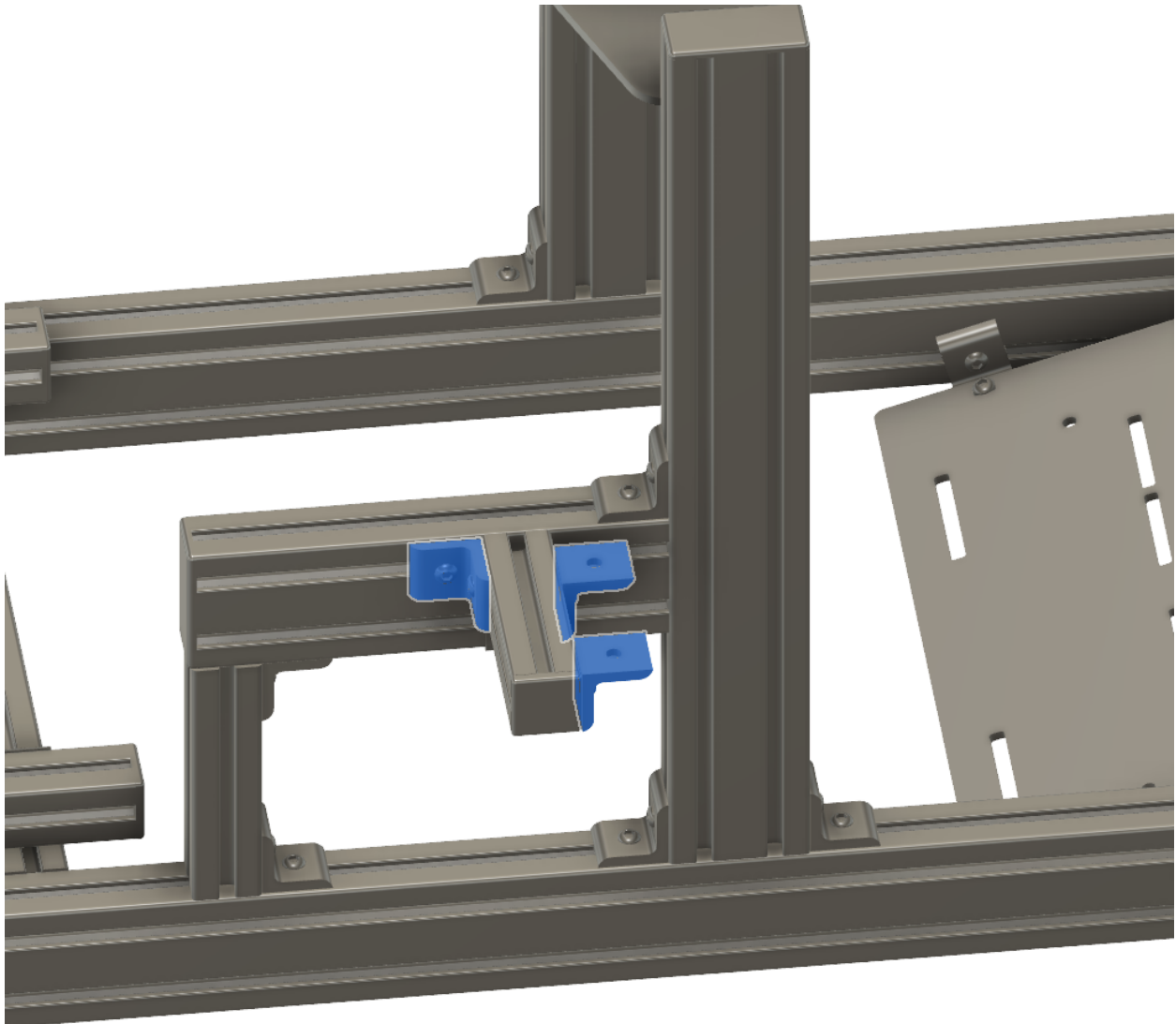


RCP Cockpit Sport Manual (v.04/2021.1)

Step 21 (Cont.): Alternative Shifter Layouts

Notes:

- Adjust extension brackets and shifter mounting brackets around to the front or back to fit your shifter. Here is an example of the alternative front mounted option.
- Align your shifter so it's parallel with steering wheel when in neutral position.



Step 22: Race, Adjust & Tighten!

Congratulations!!!

You are now ready to race.

Our Cockpits are designed to be completely customizable, so feel free to adjust everything to suit your needs and preferences.

After a few days of use, go back around and tighten up all screws to keep everything nice and rigid after it settles in.

If you need anything, please let us know. We are here to help!

Fast Email Support: Team@RacingCockpits.com

Fast Phone Support: +1(833)RACING2

Page 31



RCP Cockpit Sport Manual (v.04/2021.1)