

How to build
a partial home backup system with
AC300+B300

User Manual



How to build a partial home backup system With
AC300+B300



Thank You!

Thank you for making BLUETTI a part of your family.

From the very beginning, BLUETTI has tried to stay true to a sustainable future through green energy storage solutions for both indoor and outdoor use while delivering an exceptional eco-friendly experience for our homes and our world. That's why BLUETTI makes its presence in 70+ countries and is trusted by millions of customers across the globe.



Contents

1. 120 Volts AC300+B300 Backup System.....	05
2. 240 Volts AC300+B300 Backup System.....	08
3. Accessories.....	15
3.1 Transfer switch.....	15
3.2 BLUETTI 30A AC charging cable.....	15
3.3 BLUETTI AC300 split-phase output cable.....	16
3.4 BLUETTI AC300 30A split-phase AC charging cable.....	16
3.5 Communication cable for split-phase function.....	17
3.6 NEMA L14-30R socket.....	17
3.7 NEMA TT30-P to L14-30R extension cord.....	17
3.8 Circuit breaker & protection box.....	17
4. How to install Reliance Controls.....	18
Please refer to Reliance Controls website: www.reliancecontrols.com	18
4.1 How to install Reliance Controls ProTran2 - Part1, Tools and Planning.....	18
4.2 How to install Reliance Controls ProTran2 - Part2, Mounting.....	18
4.3 How to install Reliance Controls ProTran2 - Part3, Wiring.....	18
4.4 How to install Reliance Controls ProTran2 - Part4, Replacing Circuit Breakers.....	18
4.5 How to install Reliance Controls ProTran2 - Part5, Installing The Power Inlet Box	18
4.6 How to install dd Controls ProTran2 - Part6, How To Operate.....	18
5. More information:.....	18

Declaration

- The installation should be performed by a licensed electrician. Improper installation may result in death or serious injury and property damage.
- This document is provided for reference purpose ONLY and does not constitute legal advice. Please consult the local licensed electrician for details.

BLUETTI shall not be liable for any damage or injury caused by improper installation of the backup system.

1. 120 Volts AC300+B300 Backup System

AC300+B300's Machine Type is set to "Single Phase" by default. DO NOT change this setting if you are operating a single AC300+B300 set.

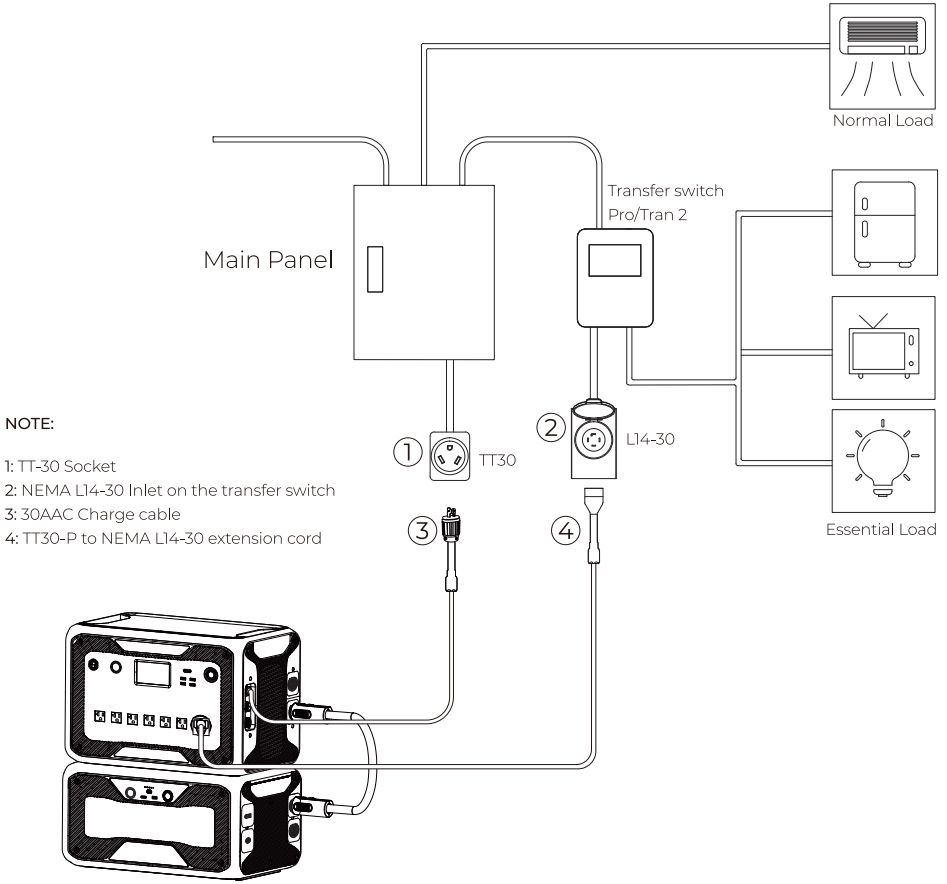
To build the backup system, you need the following:

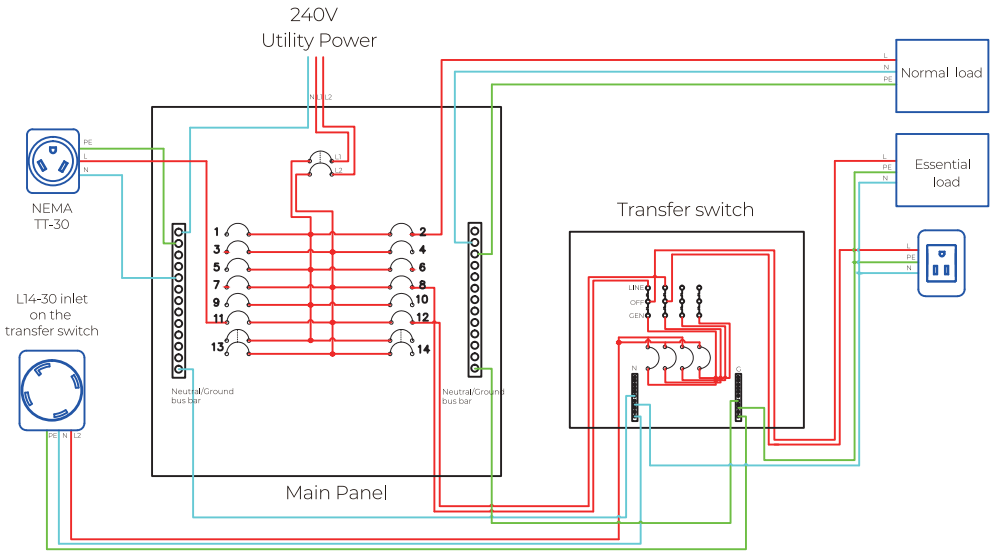
Accessories	Qty.
Transfer switch: Reliance 310A Pro/Tran 2	1
NEMA TT30-P to L14-30R extension cord	1
30A AC charging cable	1

NOTE: Please read the Reliance 310A Pro/Tran2 manual before installation.

<http://www.reliancecontrols.com/Documents/PT2%20Loadside%20Installation%20and%20Operating%20Instructions.pdf>

Refer to the diagram below for proper installation of AC300+B300 backup system.





NOTE:

- The backup system must be properly installed by a licensed electrician.
- Please check the voltage at outlets before plugging in your household appliances.
- It is an electrical schematic. For the actual wiring diagram, please refer to Reliance PRO/TRAN2 installation instructions.

2. 240 Volts AC300+B300 Backup System

You can build the 240V Split Phase System by pairing two sets of AC300+B300 together. The system also has double the available output power and capacity.

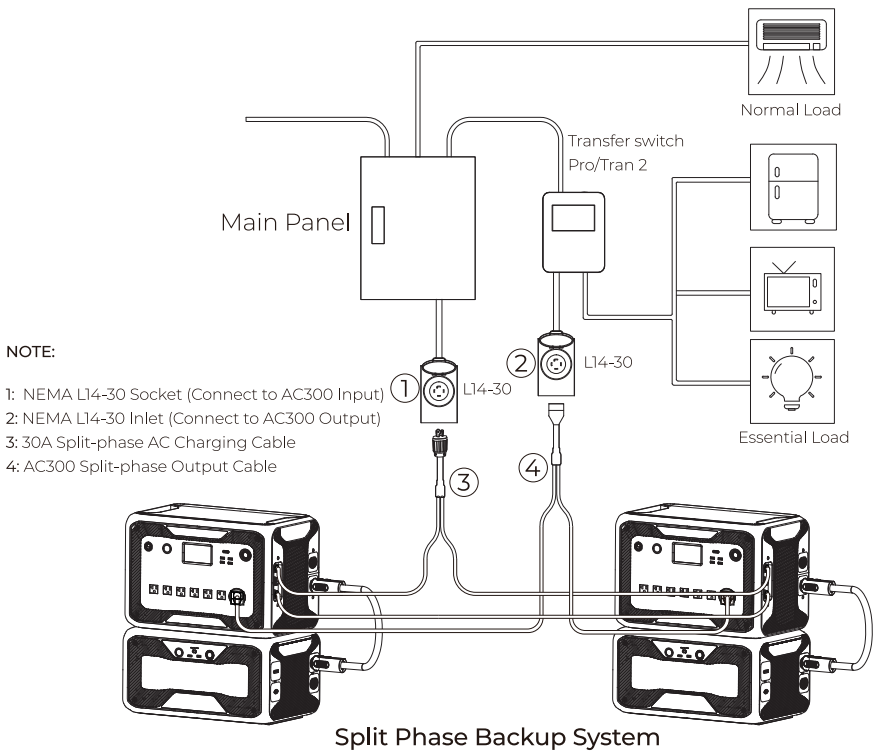
Besides TWO sets of AC300+B300, you also need the following:

Accessories	Qty.
Transfer switch: Reliance 310A Pro/Tran 2	1
AC300 split-phase output cable	1
NEMA L14-30R socket	1
AC300 30A split phase AC charging cable	1
Communication cable for split-phase function	1

Please read the Reliance 310A Pro/Tran 2 manual before installation.

<http://www.reliancecontrols.com/Documents/PT2%20Loadside%20Installation%20and%20Operating%20Instructions.pdf>

Before installing the Reliance Controls transfer switch system, please make a emergency energy plan that includes which appliances you need during a power outage. It is highly recommended to “balance the load” between the two phases of transfer switch, that’s to say, do not connect high-wattage appliances centrally to a single AC300+B300 set.



! **Caution!** The backup split phase system must be properly installed by a licensed electrician.

How to configure the AC300+B300 sets:

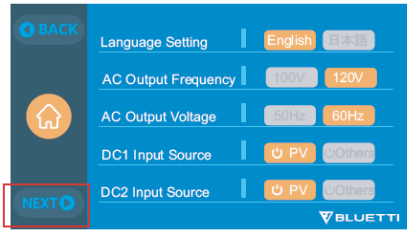
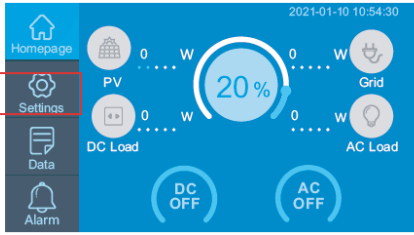
Step 1: Turn off both AC300+B300 sets.

Step 2: Connect AC300+B300 sets to transfer switch via the AC300 split-phase output cable. One TT-30 plug goes to a set.

Step 3: Connect two AC300 units via the communication cable.

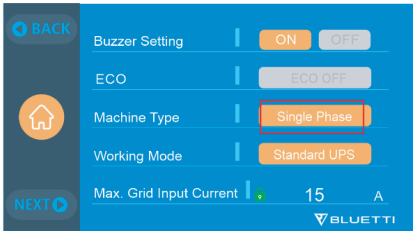
Step 4: Turn on either AC300+B300 set.

Step 5: Go to “Settings” and tap “Next”.

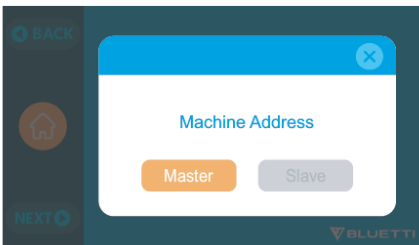


Step 6: Tap “Single Phase”, the machine type option pops up and select “Split phase”.

- Machine Type: Select Split Phase

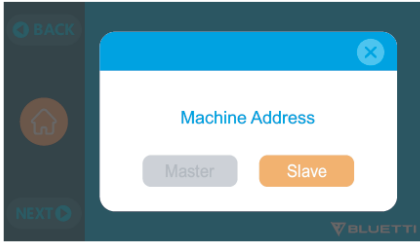


Step 7: Select the “Master” in the Machine Address pop up.

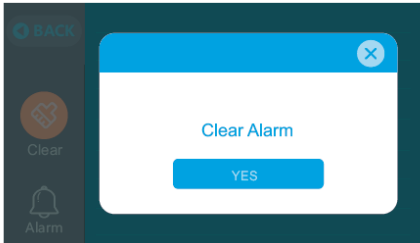


Step 8: Turn on the other AC300+B300 set. Repeat step 5 and 6 to set its machine type to “Split phase”.

Step 9: Select the “Slave” in the Machine Address pop up.



If the connection fails, clear the alarm history and reconnect.



NOTE:

- Disconnect the AC charging cables from AC300+B300 sets before connecting to the transfer switch.
- The split phase system can be controlled ONLY on the “Master” set.
- If one of the AC300+B300 sets is out of power, the split phase system fails automatically.

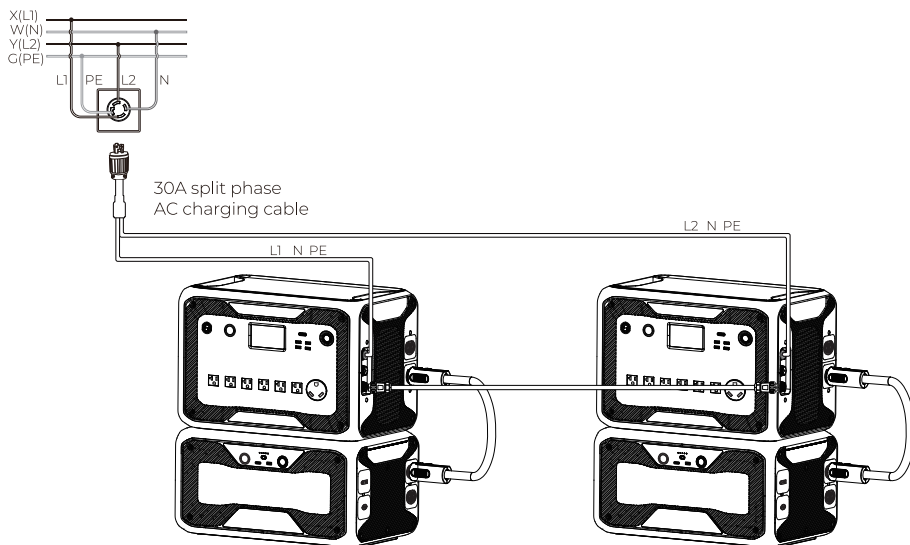
NOTE:

- The backup system must be properly installed by a licensed electrician.
- Please check the voltage at outlets before plugging in your household appliances.
- It is a electrical schematic. For the actual wiring diagram, please refer to Reliance PRO/TRAN2 installation instructions.
- In the main panel, two Neutral/Ground bus bars have been connected together with copper strips.

Connect the AC300+B300 sets to the main panel

Charge the 240V split phase system with AC300 30A split phase AC charging cable. Plug the cable to a NEMA L14-30 socket (240V)and the other two connectors into AC300s' AC input ports.

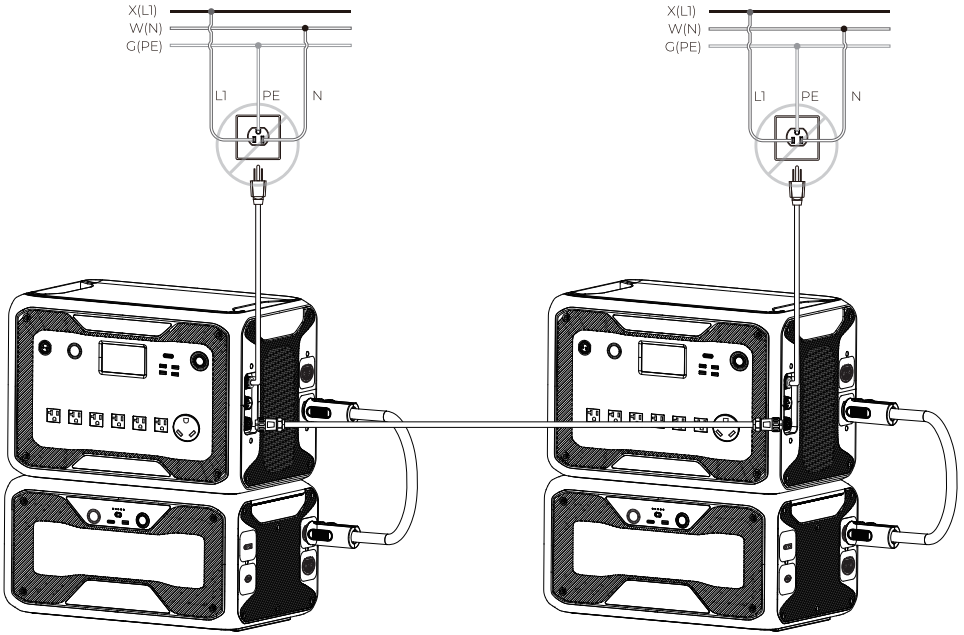
The AC input ports should be connected to L1/N/PE and L2/N/PE, respectively. The current capacity of AC input plug shall be $\geq 30A$.



WRONG CONNECTION

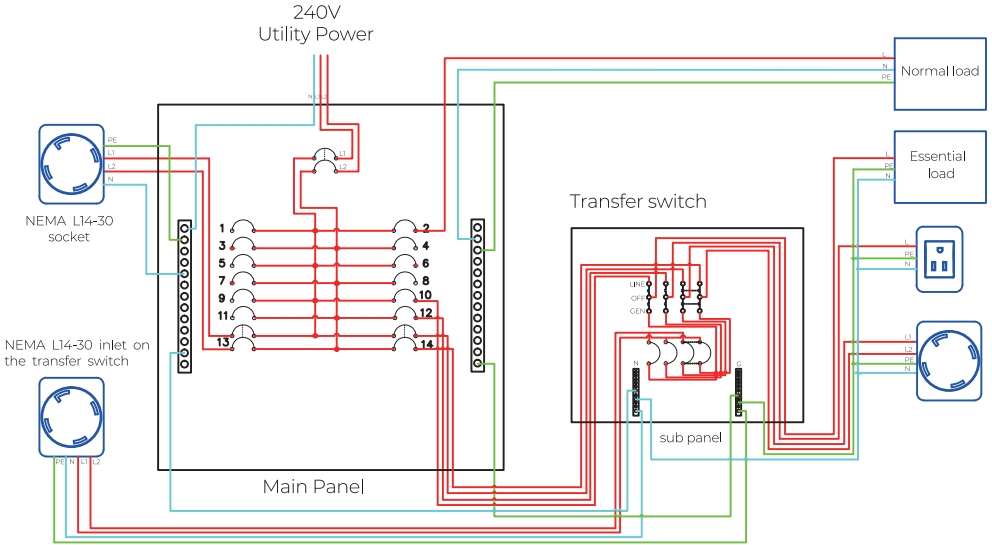
Warning! DO NOT charge AC300+B300 with standard AC charging cable in the split phase system, as this may cause damage to the batteries inside B300s and invalidate your warranty.

L: Live wire N: Neutral wire



NOTE:

The split phase system supports charging via solar panels. You can charge it by PV and the AC300 30A split-phase AC charging cable simultaneously. (AC input only through the AC300 30A split-phase AC charging cable but not the standard AC charging cable)



3. Accessories

3.1 Transfer switch

Recommendation: Reliance Controls 310A PRO/TRAN 2 transfer switch.



3.2 BLUETTI 30A AC charging cable

Please buy it from BLUETTI official store.

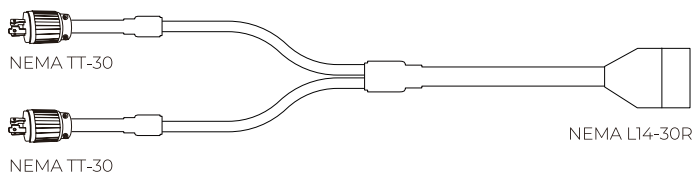
AC300 30A AC Charging Cable



3.3 BLUETTI AC300 split-phase output cable

Please buy it from BLUETTI official store.

<https://www.bluettipower.com>



3.4 BLUETTI AC300 30A split-phase AC charging cable

Please buy it from BLUETTI official store.

<https://www.bluettipower.com/products/30a-ac-charging-cable-for-split-phase-function>



3.5 Communication cable for split-phase function

Please buy it from BLUETTI official store.

<https://www.bluettipower.com/products/communication-cable-for-split-phase-function>



3.6 NEMA L14-30R socket

For charging the 240V AC300+B300 split phase system.

Recommendation: Journeyman-Pro HJP 2710 NEMA L14-30R socket.

3.7 NEMA TT30-P to L14-30R extension cord

For connecting AC300+B300 to the sub panel.

Recommendation: Parkworld NEMA TT30-P to L14-30R extension Cord.

3.8 Circuit breaker & protection box

If you have a residential solar array with a voltage of 12V-150V, you're strongly recommended to use a DC circuit breaker panel to enable or disable solar charging.

NOTE : If there are two solar panel arrays with a total open circuit voltage of 12-150V, you also need two 2P 16A DC circuit breakers.

4. How to install Reliance Controls

Please refer to Reliance Controls website: www.reliancecontrols.com

4.1 How to install Reliance Controls ProTran2 - Part1, Tools and Planning

<https://www.youtube.com/watch?v=xTqjw6WJ7o&list=PLpYCE0n7d22iDNwpVnOF9HULSUYYBBRY86>

4.2 How to install Reliance Controls ProTran2 - Part2, Mounting

<https://www.youtube.com/watch?v=wNbBHVHgw0Y&list=PLpYCE0n7d22iDNwpVnOF9HULSUYYBBRY86&index=2>

4.3 How to install Reliance Controls ProTran2 - Part3, Wiring

<https://www.youtube.com/watch?v=TKruj9BpZM8&list=PLpYCE0n7d22iDNwpVnOF9HULSUYYBBRY86&index=3>

4.4 How to install Reliance Controls ProTran2 - Part4, Replacing Circuit Breakers

<https://www.youtube.com/watch?v=IkOuauT-YP8&list=PLpYCE0n7d22iDNwpVnOF9HULSUYYBBRY86&index=4>

4.5 How to install Reliance Controls ProTran2 - Part5, Installing The Power Inlet Box

<https://www.youtube.com/watch?v=OM8sYRhEVPY&list=PLpYCE0n7d22iDNwpVnOF9HULSUYYBBRY86&index=5>

4.6 How to install dd Controls ProTran2 - Part6, How To Operate

<https://www.youtube.com/watch?v=O4GA9AK8Tmo&list=PLpYCE0n7d22iDNwpVnOF9HULSUYYBBRY86&index=6>

5. More information:

Website: www.bluettipower.com

Email: service@bluettipower.com

