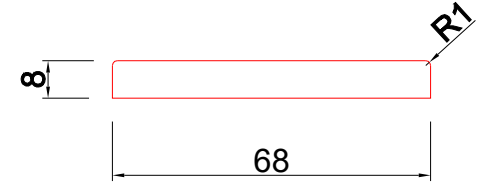
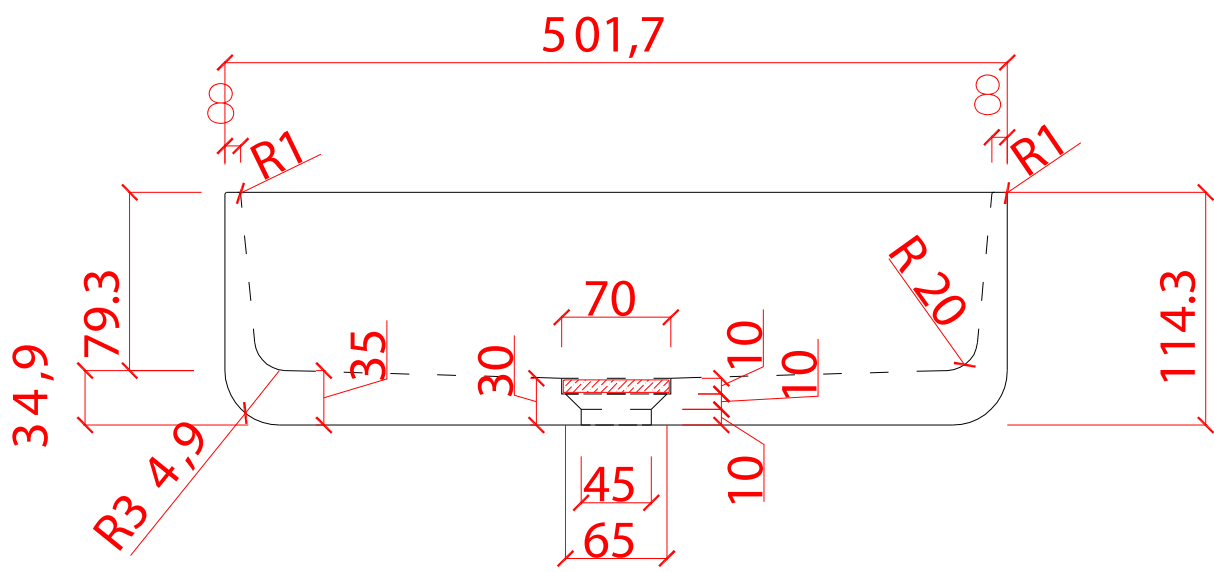
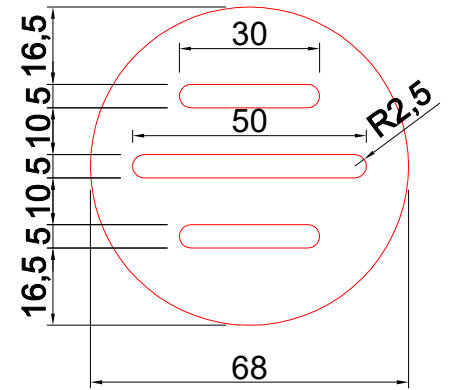
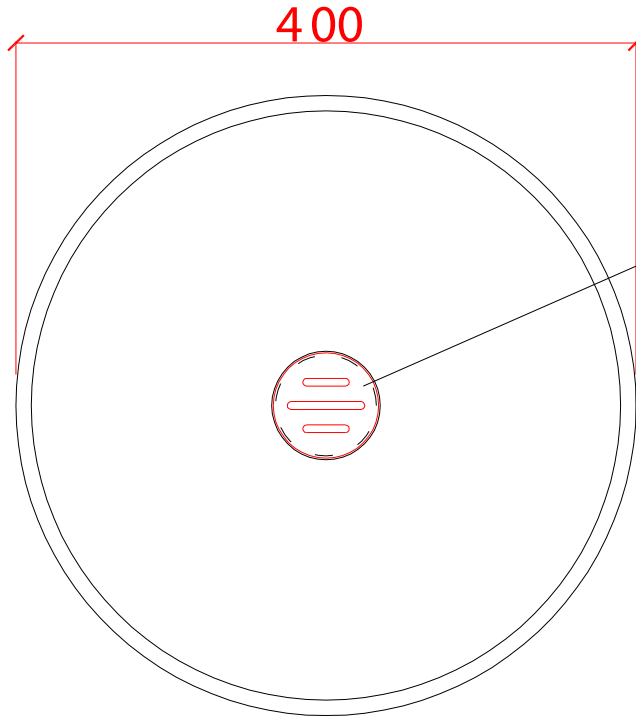


STONE DRAIN COVER





STONE DRAIN COVER

