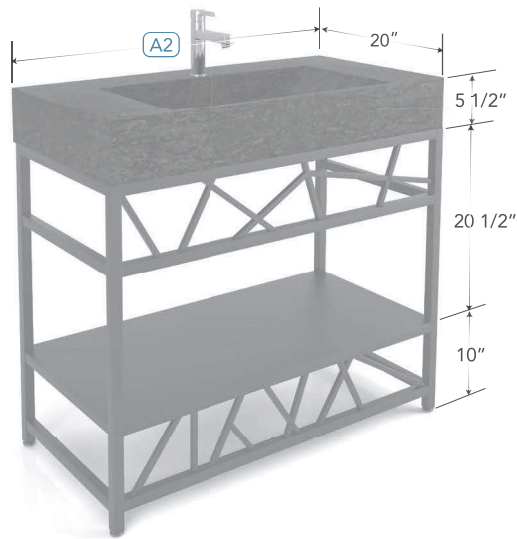
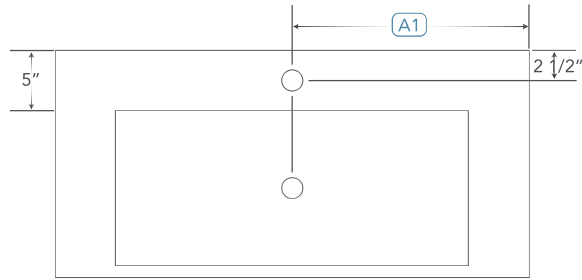


DIMENSIONS AND SPECIFICATIONS



SINGLE SINK

Dimension (in) - XXX	A1	A2	Weight
036	18"	36"	250 lbs

Base material

Powder coat steel

Sink material

ENDURALL dolomite + nancoat
Ice marble
Limestone

*Average dimension vary by $\pm \frac{1}{8}$

NOTE

UNIK STONE can not be held responsible for any technical errors and is allowed to make changes on specifications without notice. The dimensions are approximative. For more informations on Unik Stone's warranty, please contact your Unik Stone dealer.

Canadian price list
Latest update 10-13-2020
Check latest version at www.unikstone.ca/RSE

