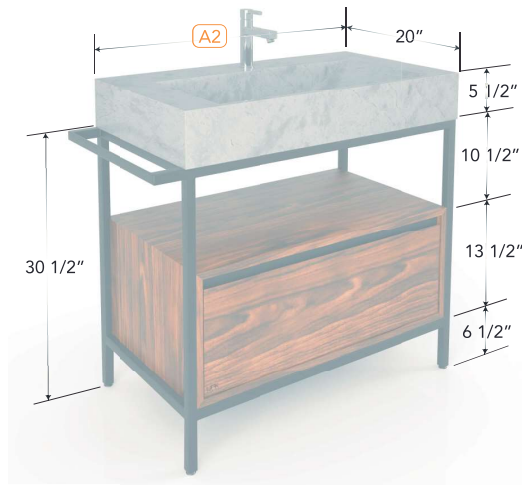
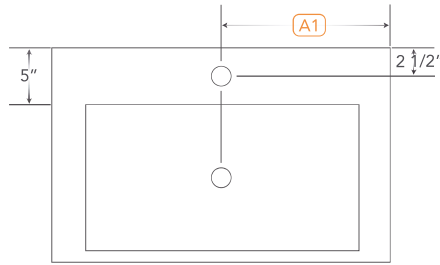


DIMENSIONS AND SPECIFICATIONS



SINK	Dimension (in) - XXX	A1	A2	Weight
	024	12"	24"	150 lbs
	030	15"	30"	175 lbs
	036	18"	36"	200 lbs

Material

Solid Walnut
Solid White oak
Solid Cherrywood

Console material

Powder coat steel

Sink material

ENDURALL dolomite + nanocoat
Ice marble
Limestone

*Average dimension vary by $\pm \frac{1}{8}$

NOTE

UNIK STONE can not be held responsible for any technical errors and is allowed to make changes on specifications without notice. The dimensions are approximative. For more informations on Unik Stone's warranty, please contact your Unik Stone dealer.

Canadian price list
Latest update : 10-13-2020
Check latest version at www.unikstone.ca/RSE

