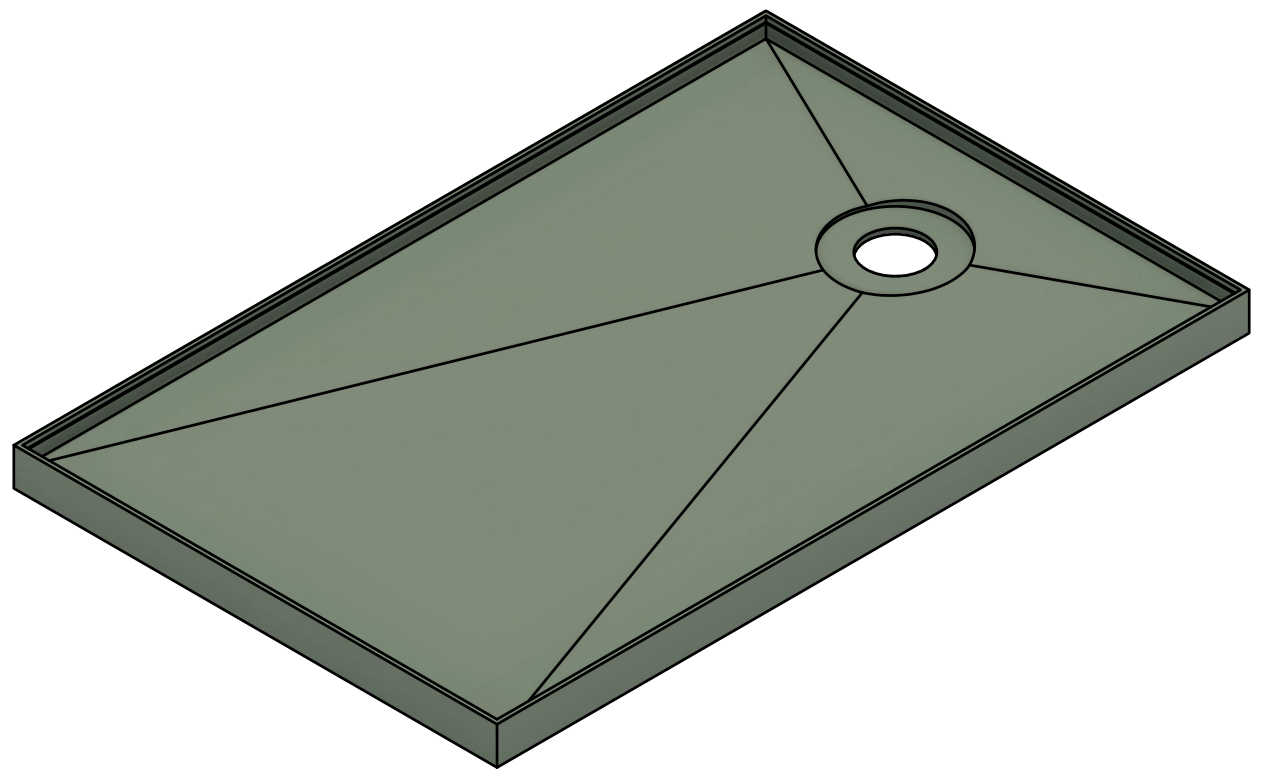
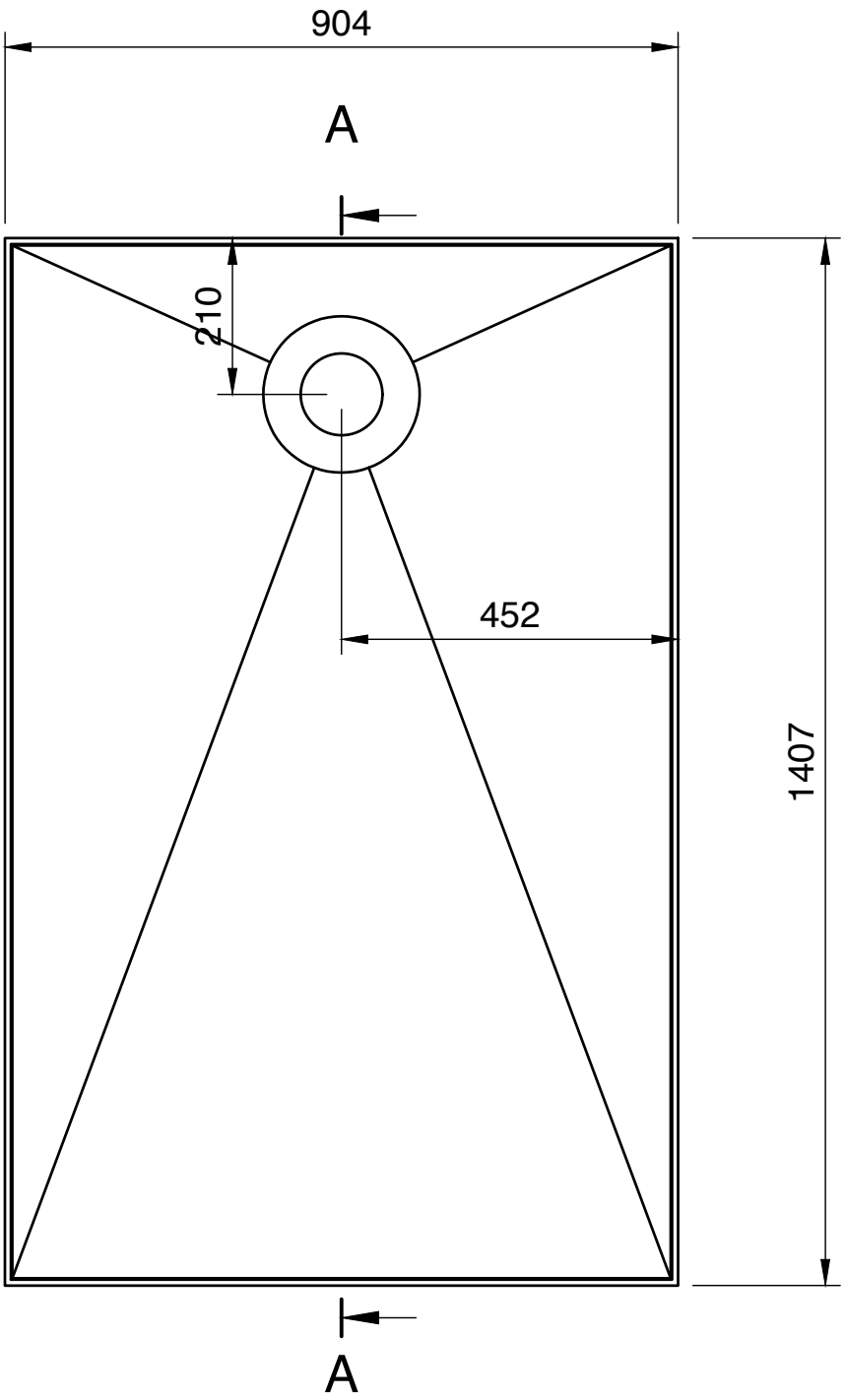
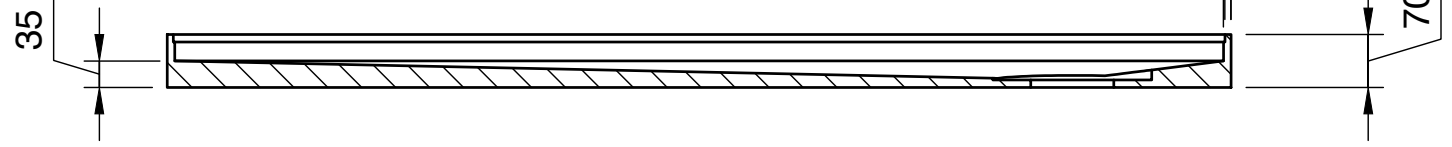



A-A (1:10)



|   |  |   |           |
|---|--|---|-----------|
| <b>versa-tile</b> <br><br>5 Kim Court<br>North Geelong VIC 3215<br>Phone: (03) 9034 1011<br>Email: sales@versa-tile.com.au<br>Website: www.versa-tile.com.au | <b>Material</b><br>High Density Polyurethane   | <b>Do not scale drawing</b>   |           |
|   | UNLESS OTHERWISE SPECIFIED :<br>DIMENSIONS ARE IN MILLIMETERS<br>SURFACE FINISH:<br>TOLERANCES: 5mm<br>ALL FILLETS 2mm<br>UNLESS SPECIFIED | <b>104-RO-09-14</b><br><b>Tile-Over Tray 900 x 1400</b><br><b>Rear Outlet (4 sided)</b> |           |
|   | <b>Scale</b><br>1:10   | <b>Last Edited</b><br>24/2/21   | <b>A3</b> |