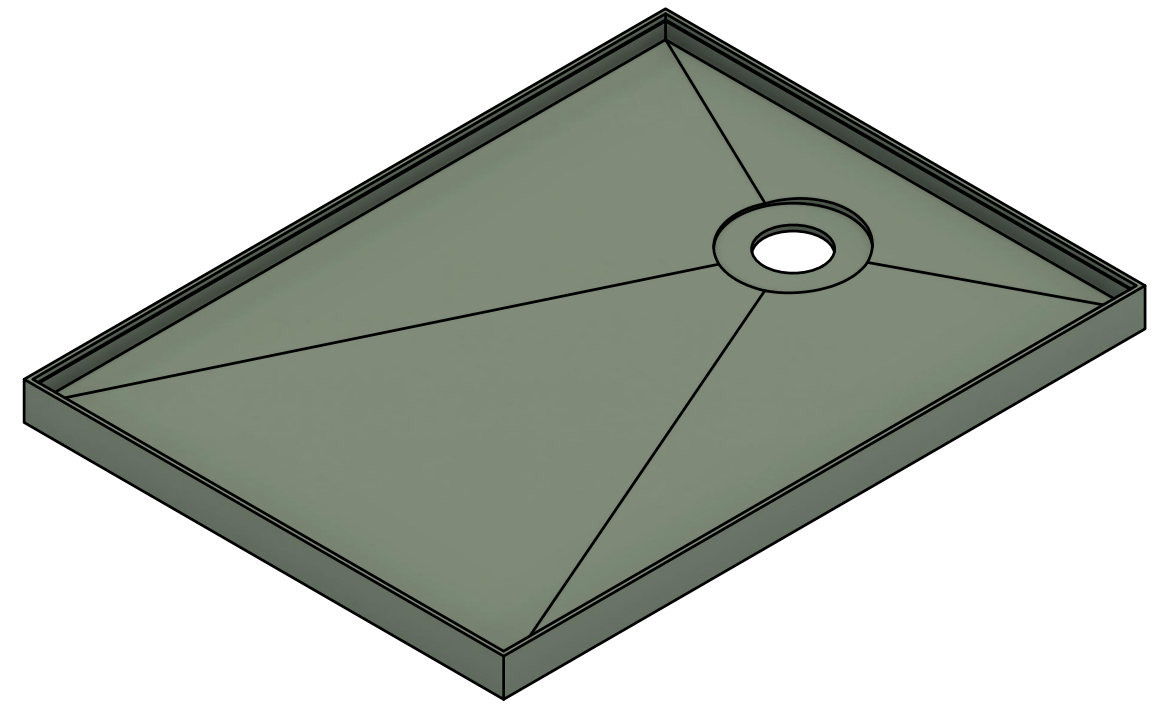
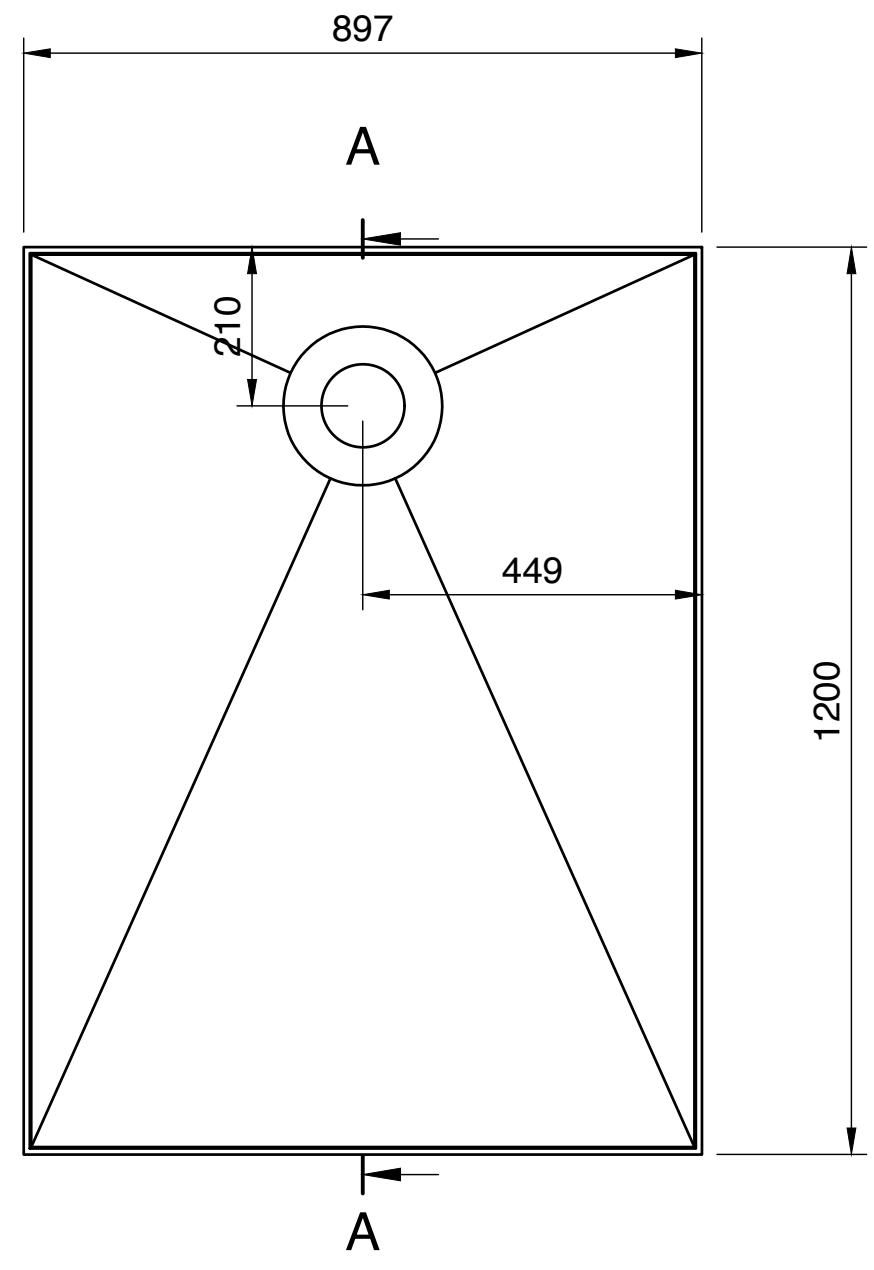
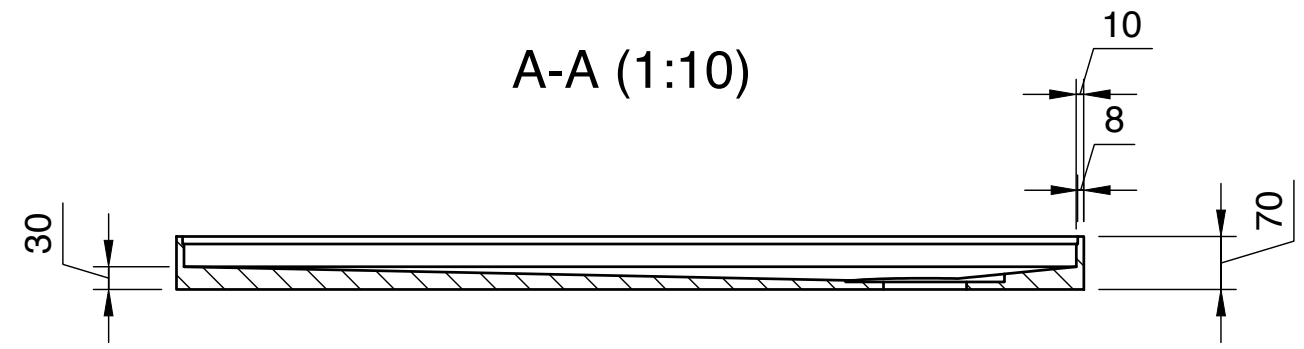



A-A (1:10)



versa-tile  5 Kim Court North Geelong VIC 3215 Phone: (03) 9034 1011 Email: sales@versa-tile.com.au Website: www.versa-tile.com.au	Material High Density Polyurethane	Do not scale drawing	
	UNLESS OTHERWISE SPECIFIED : DIMENSIONS ARE IN MILLIMETERS SURFACE FINISH: TOLERANCES: 5mm ALL FILLETS 2mm UNLESS SPECIFIED	104-RO-09-12 Tile-Over Tray 900 x 1200 Rear Outlet (4 sided)	
		Scale 1:10	Last Edited 24/2/21