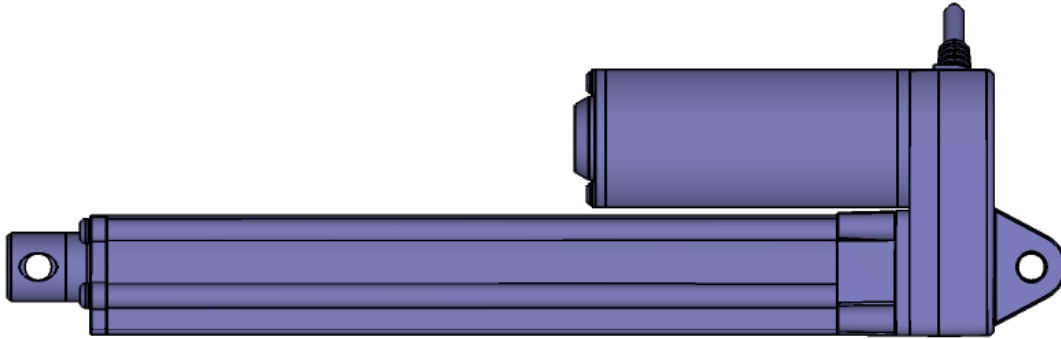


Product Data Sheet

CH-Series Linear Actuator

SHIFT AUTOMATION



Key Features

- Stainless steel shaft
- Compact and powerful
- Metal gears
- Engineered for smooth, stable movement through the entire stroke length
- Multiple support structures to provide robust performance
- IP65, completely dust and weatherproof plus protection against direct water spray
- Quadrature encoder—dual Hall Effect sensors provide high quality position and direction data

Technical Data

	SA-25-CH	SA-120-CH	SA-175-CH
Voltage	12VDC Standard (24VDC, 36VDC, 48VDC optional)		
Current Draw	At 12VDC, 1.5A at no load, 4A at full load		
Speed at no load	2.2"/s (55mm/s)	0.7"/s (18mm/s)	0.4"/s (10mm/s)
Dynamic Force	25lb (11kg)	120lb (54kg)	175lb (79kg)
Holding Force	30lb (14kg)	170lb (77kg)	260lb (118kg)
Duty Cycle	25% (2 min ON, 6 min OFF)		
IP Rating	IP65, complete dust and water spray protection		
RoHS	Yes, RoHS certificate		
Encoder Resolution (pulses)	174/inch (7/mm)	355/inch (14/mm)	690/inch (27/mm)

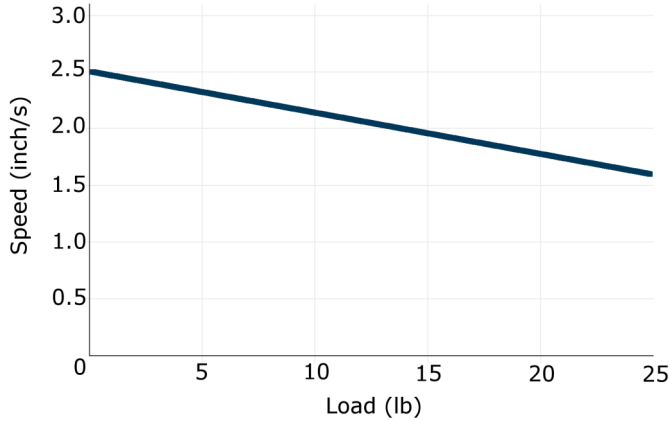
Product Data Sheet

CH-Series Linear Actuator

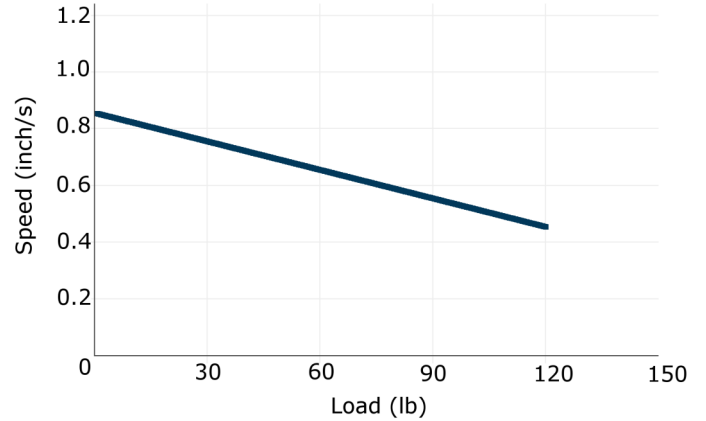


Performance Characteristics

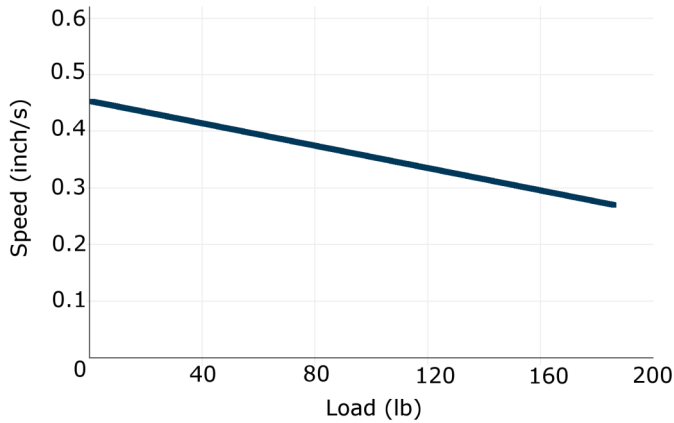
Speed vs. Load for SA-25-CH



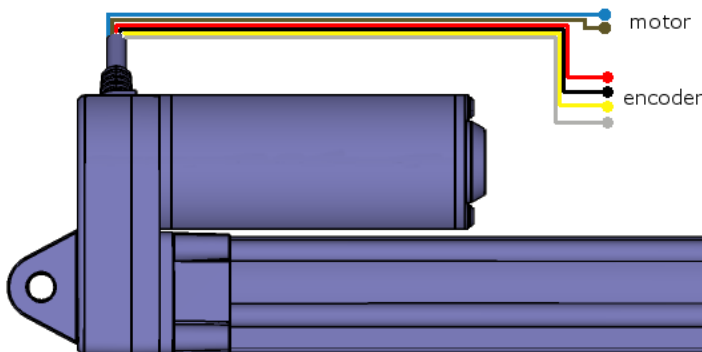
Speed vs. Load for SA-120-CH



Speed vs. Load for SA-175-CH



Electrical Installation



Direction	Blue	Brown
Extend	+12V	GND
Retract	GND	+12V

Encoder	
Red	+V (3-16V)
Black	GND
Yellow	Hall #1
White	Hall #2

Product Data Sheet

CH-Series Linear Actuator



www.ShiftAutomation.com



Product Parameter	
Input Voltage	12VDC
Front Hole Dia.	0.32 +/- 0.01"
Rear Hole Dia.	0.32 +/- 0.01"
Power Cable	Twin Core 18AWG
Protection Grade	IP65
Limit Switches	Built-in

Hole to Hole dimensions			
Actuators	L	S	L+S
SA-xxx-C-12-2	6.3 "	2.0 "	8.3 "
SA-xxx-C-12-4	8.3 "	4.0 "	12.3 "
SA-xxx-C-12-6	10.4 "	6.0 "	16.4 "
SA-xxx-C-12-9	13.4 "	9.0 "	22.4 "
SA-xxx-C-12-12	17.1 "	12.0 "	29.1 "
SA-xxx-C-12-18	24.8 "	18.0 "	42.8 "
SA-xxx-C-12-24	31.5 "	24.0 "	55.5 "

