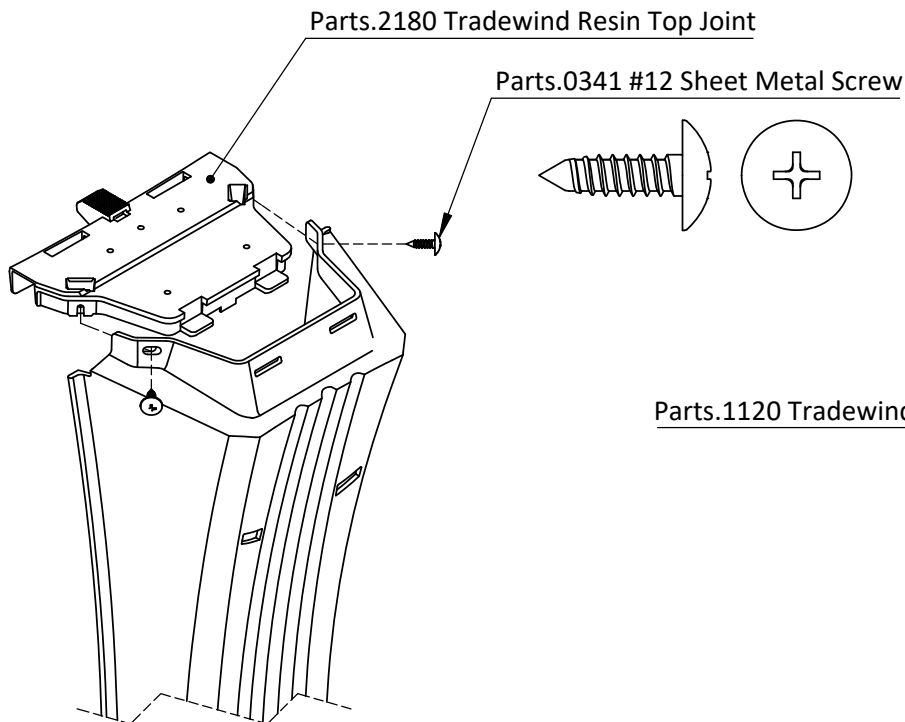
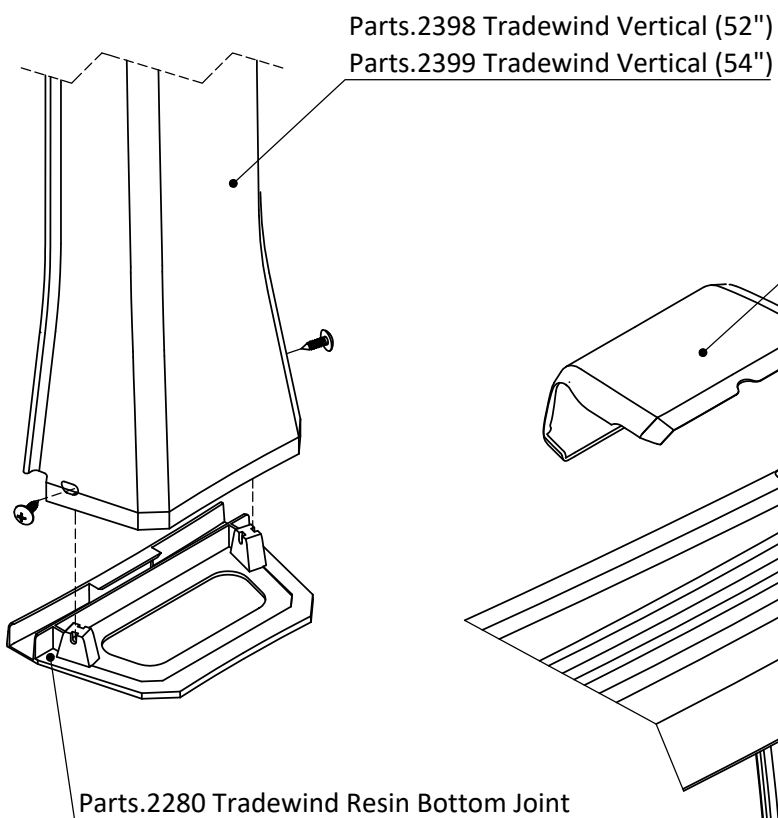
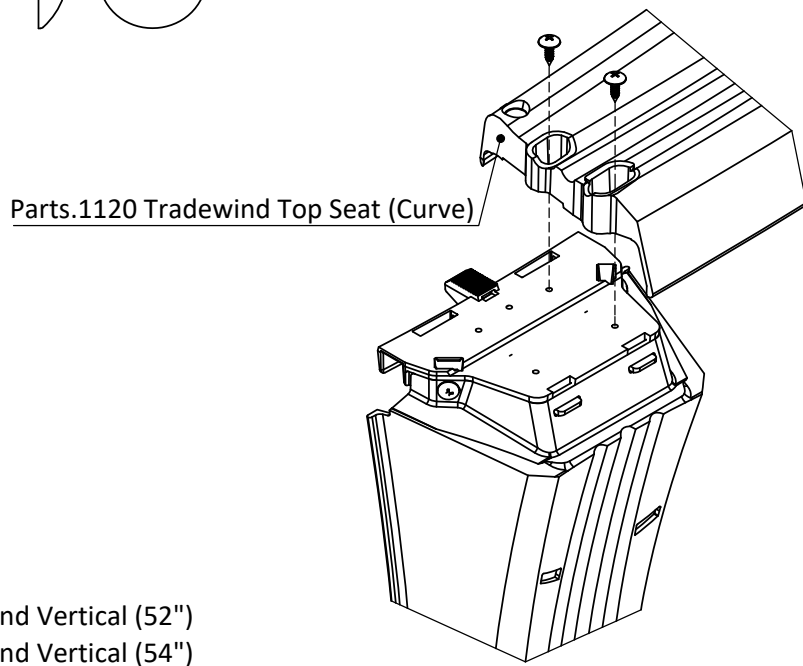


Tradewind Assemble Top Seat, Vertical and Cover

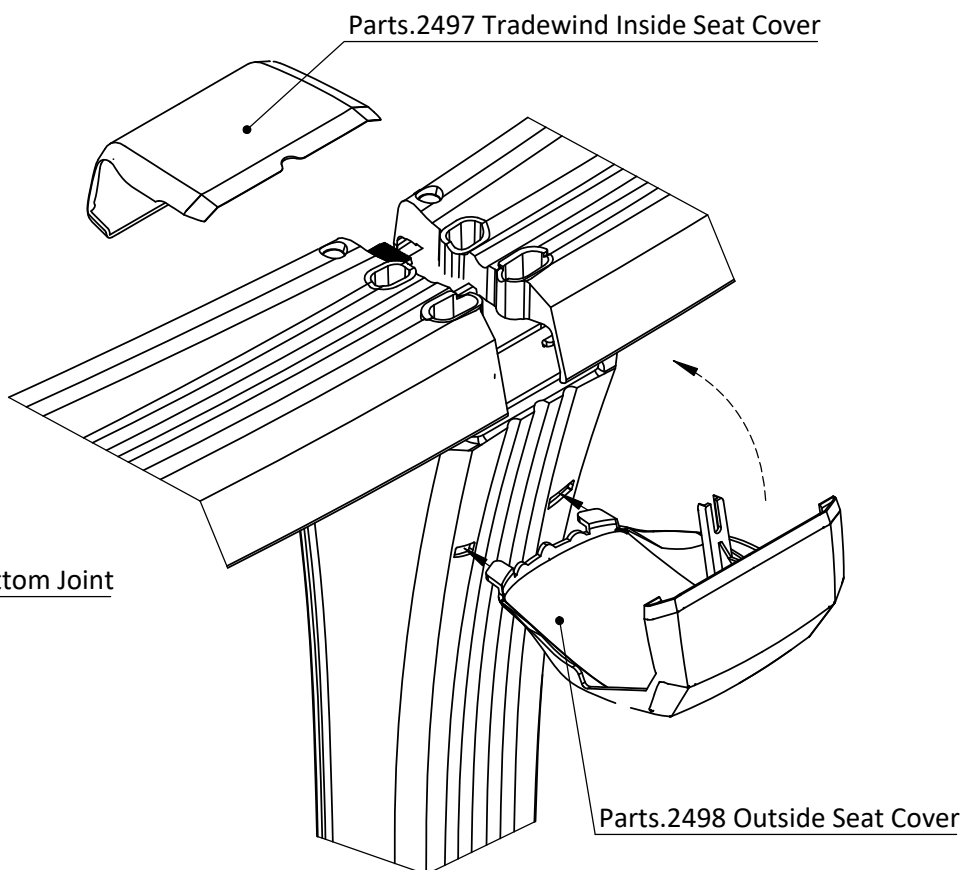
STEP 1



STEP 2

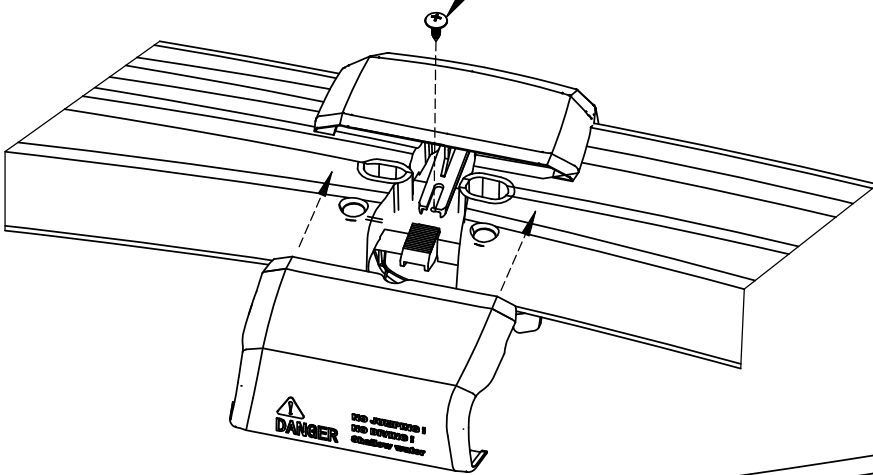


STEP 3

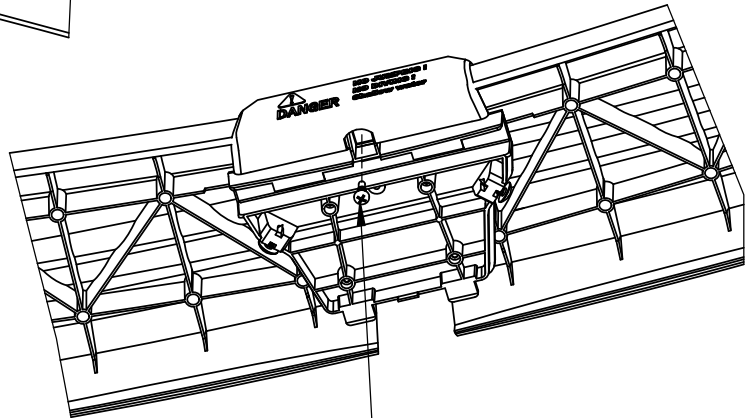


STEP4

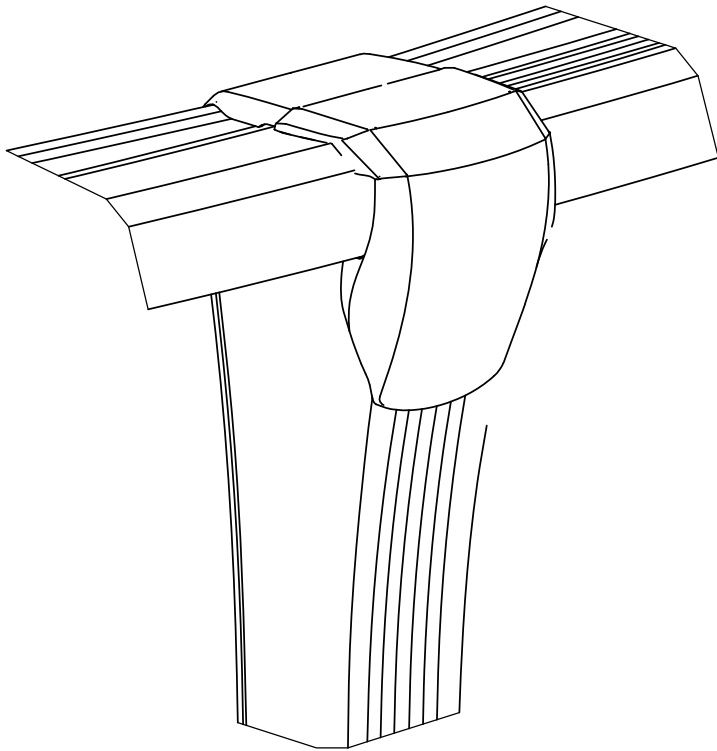
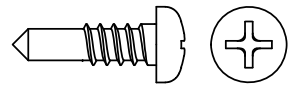
Parts.0341 #12 Sheet Metal Screw



STEP5



Parts.0342 Self Drilling Tapping Screw



! DANGER

ALL THESE POOLS ARE DESIGNED FOR SWIMMING ONLY.
THEY MUST NOT BE USED FOR JUMPING OR DIVING.

**DO NOT JUMP
DO NOT DIVE**

PERMANET INJURY OR DEATH CAN RESULT.