

APPROVED

# INSTALLATION AND OPERATION MANUAL



## Crosswind Side Discharge Heat Pump Pool Heater

Inverter Models

CROSSWIND-30-I through -65-I



On/Off Models

CROSSWIND-40-O through -65-O

(Canada Only)



**FOR YOUR SAFETY:** Do not store or use gasoline or other flammable vapors and liquids or other combustible materials in the vicinity of this or any other appliance. To do so may result in an explosion or fire.

**NOTE:** The instructions in this manual are for the use of qualified individuals specially trained and experienced in the installation and maintenance of this type of equipment and related system components. Installation and service personnel are required by some states to be licensed. Persons not qualified shall not attempt to install, service, or maintain this equipment.

This manual should be maintained in legible condition and kept adjacent to the heat pump pool heater or in a safe place for future use.

**Raypak**<sup>®</sup>  
A Rheem<sup>®</sup> Company

Effective: 10-15-21  
Replaces: 02-15-20  
P/N 241827 Rev. 3

UNCONTROLLED DOCUMENT IF PRINTED

# ATTENTION: Please Take This Opportunity to Quickly Register Your Unit

While your unit is being installed by your professional and licensed installer of choice, please take this opportunity to quickly register your unit. With the necessary information in hand, registering your new heat pump pool heater only takes a few moments and is the best way to ensure efficient warranty support during the warranty time frame.

See **Figure 1** at the bottom of the page to locate and record your model and serial number. Once you have done this, please make sure you also have the following information on hand:

- Name, phone number, and email address of homeowner.
- Physical address of where the unit is installed; please include any 'subdivision' or similar information.
- Any service challenges present at the house/ neighborhood: gated community, locked access at house, guard dog, etc.
- Date of installation of the new unit.
- Name and phone number of the professional and licensed entity that performed the installation for you.

With all of the above information in hand, please contact us and ask to register your brand new heat pump,

(800)-260-2758 M-F 8:30 - 4:30 EST

or do this online at:

<http://warranty.raypak.com>

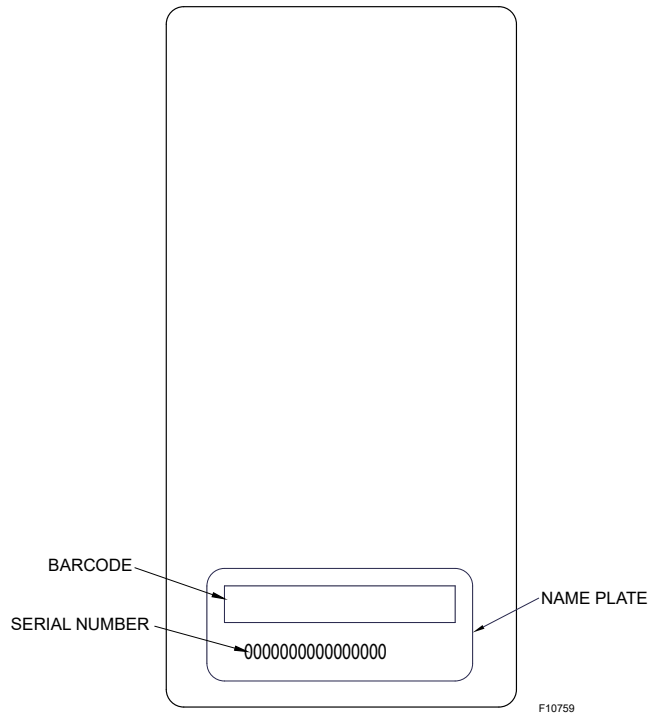
You will be given a Warranty Registration Confirmation number which you should notate and keep in an easily remembered accessible location along with your Installation and Operation Manual, a copy of your warranty (provided with your manual) and the above information.

This would also be a good time to review both the manual and the warranty so that you are aware of how to correctly operate your new equipment as well as how to keep from voiding any aspects of your warranty. During the life of your unit, please feel free to use the phone number on the last page below to contact us with any questions you may have about operation, warranty, and/or service.

Thank you very much choosing us to satisfy your pool heating needs.

**Warranty Registration Confirmation #:**

---



For location of this label on your unit, see **Figure 8**  
**Figure 1. Model and Serial Number Information**

### Revision 3 reflects the following changes:

IPL, Item 5 (Inverter Board), Inverter Models: kit numbers updated to 018351F for sizes 30-1 and 40-1; 018352F for size 50-1; 018150F for size 65-1. IPL, Item 5 (compressor capacitor), On/Off Models: kit numbers updated to 018350F for sizes 50-0 and 65-0.

APPROVED  
**TABLE OF CONTENTS**

<b>1. WARNINGS</b> .....	<b>4</b>	<b>6. CONTROLS</b> .....	<b>20</b>
Pay Attention to These Terms .....	4	Inverter Models Only .....	20
General Precautions .....	5	On/Off Models Only.....	21
<b>2. WATER CHEMISTRY</b> .....	<b>5</b>	Using the On/Off Display Unit .....	21
<b>3. BEFORE INSTALLATION</b> .....	<b>6</b>	<b>7. OPERATING INSTRUCTIONS</b> .....	<b>22</b>
Installation Considerations .....	6	Start-Up Procedures .....	22
Automatic Chlorinators and Chemical Feeders.....	6	Before Start-Up .....	22
Installation Requirements.....	7	Starting.....	22
Components for Inverter Models.....	9	After Start-Up .....	22
Components for On/Off Models .....	9	Maintenance.....	23
Specifications and Dimensions .....	10	Cold Weather Operation .....	23
Water Connections.....	11	Testing.....	23
<b>4. ELECTRICAL WIRING</b> .....	<b>13</b>	Time Clock Override Operation.....	23
Wiring.....	13	Crosswind HPPH On/Off Model .....	24
Electrical Connections.....	13	Basic Lead Multiple HPPH Operation .....	25
Automation Control, .....	13	<b>8. TROUBLESHOOTING</b> .....	<b>26</b>
<b>5. WIRING DIAGRAMS</b> .....	<b>14</b>	Fault Codes.....	26
Crosswind-30-I, 50-I.....	14	<b>9. TECHNICAL PARAMETERS</b> .....	<b>27</b>
Crosswind-40-I .....	15	<b>10. REPLACEMENT PARTS</b> .....	<b>28</b>
Crosswind-65-I .....	16	<b>11. ILLUSTRATED PARTS LIST</b> .....	<b>29</b>
Crosswind-40-O .....	17	Inverter Models .....	29
Crosswind-50-O .....	18	On/Off Models .....	30
Crosswind-65-O .....	19	<b>12. WARRANTY</b> .....	<b>31</b>

# 1. WARNINGS

## Pay Attention to These Terms

<b>▲ DANGER</b>	Indicates the presence of immediate hazards which will cause severe personal injury, death or substantial property damage if ignored.
<b>▲ WARNING</b>	Indicates the presence of hazards or unsafe practices which could cause severe personal injury, death or substantial property damage if ignored.
<b>▲ CAUTION</b>	Indicates the presence of hazards or unsafe practices which could cause minor personal injury or product or property damage if ignored.
<b>CAUTION</b>	CAUTION used without the warning alert symbol indicates a potentially hazardous condition which could cause minor personal injury or product or property damage if ignored.
<b>NOTE</b>	Indicates special instructions on installation, operation, or maintenance which are important but not related to personal injury hazards.

**▲ CAUTION:** Elevated water temperature can be hazardous. The U.S. Consumer Product Safety Commission has these guidelines:

1. Spa water temperatures should never exceed 104°F (40°C). A temperature of 100°F (38°C) is considered safe for a healthy adult. Special caution is suggested for young children.
2. Drinking of alcoholic beverages before or during spa or hot tub use can cause drowsiness which could lead to unconsciousness and subsequently result in drowning.
3. Pregnant Women Beware! Soaking in water over 102°F (39°C) can cause fetal damage during the first three months of pregnancy resulting in the birth of a brain-damaged or deformed child.
4. Before entering the spa or hot tub, users should check the water temperature with an accurate thermometer; spa or hot tub thermostats may err in regulating water temperatures by as much as 4°F (2.2°C).
5. Persons with a medical history of heart disease, circulatory problems, diabetes, or blood pressure problems should obtain a physician's advice before using pools or hot tubs.
6. Persons taking medications which induce drowsiness, such as tranquilizers, antihistamines, or anticoagulants, should not use spas or hot tubs.

**▲ CAUTION:** Please do not place hands into the outlet of the swimming pool heater, and do not remove the heater fan screen at any time.

**▲ CAUTION:** Improper chemical content in a swimming pool or spa can damage the heat pump pool heater. DO NOT add pool/spa chemicals to the pool/spa via the skimmer or any other apparatus (feeder, chlorinator, etc.) That is on the influent side (i.e. inflow side) of the heater. This will damage the heater, and such damage is not covered under warranty. ALWAYS follow the product manufacturer's directions when adding any chemicals to your pool.

**▲ CAUTION:** These heat pump pool heaters are charged with R-410A refrigerant. Ensure that all service work is done with gauges and equipment suitable for R-410A.

**▲ WARNING:** This heat pump pool heater is an electromechanical machine that incorporates a pressurized refrigerant gas in a sealed system. ONLY trained and qualified service personnel are authorized to install or service this equipment. Without proper training and knowledge of such equipment, any attempt to install or service the unit could result in serious injury or even death.

## General Precautions

### Attention

1. Follow the instructions to set a comfortable water temperature and avoid overheating.
2. Please don't stack anything near the heat pump that can block air flow to the inlet or exhaust area, or the efficiency of the heater will be reduced and/or stopped. For unit clearance information, see **Figure 2**.
3. Please do not put hands into the outlet of the heater, and do not remove the screen of the fan at any time.
4. If there are abnormal conditions such as noise, smell, smoke, or electrical leakage, please switch off the heater immediately and contact the local dealer. Don't try to repair it yourself.
5. Do not use or stock combustible gas or liquid such as thinners, paint and fuel close the heater in order to avoid fire.
6. The piping between the pool and the heater should be less than 30 ft (9.1 m) long, or heater performance may suffer.

### Safety

1. Please keep the main power supply switch far away from children.
2. If a power outage happens while the heater is running, the heater will restart automatically when power is restored. Please switch off the power supply when there is a power outage, and reset the temperature when power is restored.
3. Please switch off the main power supply in the event of lightning and stormy weather to prevent machine damage from a lightning strike.
4. If the heater is stopped for a long time, please cut off the power supply and drain water completely from the heater by opening the union of the inlet pipe.

### Special Attention

Please read this instruction manual carefully and operate strictly according to the user manual before starting the heat pump, otherwise the heat pump may be damaged or cause you unnecessary harm.

This product is only for heating swimming pool or spa water, and cannot be used for other applications.

Inlet and outlet water nozzles are not designed to bear the weight of external pipes. Support the piping independently.

Make sure power is turned off before opening the case and performing service work.

1. The heater must be installed by a qualified electrician.
2. Set heating temperature within the recommended range to maximize comfort.
3. Keep the air inlet and exhaust free from obstructions.
4. This heater has a power-off memory function.
5. When the ambient temperature is at or below 32°F (0°C) make sure the main power switch is turned off and all water is drained from the heat exchanger.
6. Never place your hand or any other object into the air inlet or exhaust of the heater.
7. If you see, hear, smell or otherwise sense anything unusual (such as abnormal noise, smell, smoke, or electrical leakage) switch off the main power switch immediately and contact your local dealer installer.
8. Do not attempt to repair the heater yourself.

## 2. WATER CHEMISTRY

**NOTE: Corrosive water causes damages which will not be covered under warranty.**

Chemical imbalance can cause severe damage to your heater and associated equipment. Maintain your water chemistry according to **Table A**. If the mineral content and dissolved solids in the water become too high, scale forms inside the heat exchanger tubes, reducing heater efficiency and damaging the heater. If the pH drops below 7.2, this will cause corrosion of the heat exchanger and severely damage the heater. **Heat exchanger damage resulting from corrosive water will not be covered by the warranty.**

For your health and the protection of your pool equipment, it is essential that your water be chemically balanced. The following levels must be used as a guide for balanced water.

**CAUTION: Free chlorine must not exceed 5 ppm which can damage the heater and is not covered under warranty.**

- Occasional chemical shock dosing of the pool or spa water should not damage the heater providing the water is balanced.
- Automatic chemical dosing devices and salt chlorinators are usually more efficient in heated water. Unless controlled, they can lead to excessively high chlorine levels which can damage your heater.
- Further advice should be obtained from your pool or spa builder, accredited pool shop, or chemical supplier for the correct levels needed for your pool.

## APPROVED

Chlorinators must feed downstream of the heater and have an anti-siphoning device to prevent chemical backup into the heater when the pump is shut off.

See plumbing diagrams starting with **Figure 9**.

**NOTE: High chemical concentrates from feeders and chlorinators that are out of adjustment will cause rapid corrosion to heat exchanger. Such damage is not covered under the warranty.**

## Automatic Chlorinators and Chemical Feeders

All chemicals must be introduced and completely diluted in the pool or spa water before being circulated through the heater. Do not place sanitizing chemicals in the skimmer. High chemical concentrations will result when the pump is not running (e.g. overnight).

Recommended Level(s)	Fiberglass Pools	Fiberglass Spas	Other Pool and Spa Types
Water Temperature	68-88°F (20-31°C)	89-104°F (31-40°C)	68-104°F (20-40°C)
pH	7.3-7.4	7.3-7.4	7.6-7.8
Total Alkalinity (ppm)	120-150	120-150	80-120
Calcium Hardness (ppm)	200-300	150-200	200-400
Salt (ppm)	4500 Maximum	4500 Maximum	4500 Maximum
Free Chlorine (ppm)*	2-3	2-3	2-3
Total Dissolved Solids (ppm)	3000 Maximum**	3000 Maximum**	3000 Maximum**

\*Free Chlorine **MUST NOT EXCEED 5 ppm!**

\*\*In saltwater chlorinated pools, the total TDS can be as high as 6000 ppm.

Table A. Pool Water Chemistry

## 3. BEFORE INSTALLATION

**⚠ WARNING:** This heat pump pool heater is an electromechanical machine that incorporates a pressurized refrigerant gas in a sealed system. ONLY trained and qualified service personnel are authorized to install or service this equipment. Without proper training and knowledge of such equipment, any attempt to install or service the unit could result in serious injury or even death.

This manual contains important information on the use, maintenance and troubleshooting of your new heater. This unit must be properly installed, maintained and operated for optimal performance.

This heater is an extremely efficient, economical machine designed specifically for pool heating. It is similar in design and operation to a typical residential air conditioning system. The unit employs a hermetic motor/compressor operating in a refrigeration cycle to extract heat from ambient air and deliver it to the circulating pool water.

All heat pump pool heaters have a lower BTU/hr heating capacity than a gas-fired or oil-fired heater for the same pool and will have to operate more hours per day to keep the pool at setpoint. It may operate up to 24 hours a day at certain times. It is designed to do so. Even with long runtime hours, it will heat the pool at less cost than other heaters using fossil fuel.

Since evaporation is the main cause of heat loss from a pool, keeping the pool covered whenever it is not in use will greatly reduce the cost of keeping the pool heated. Even during warmer weather, Raypak recommends keeping the pool covered at night.

## INSTALLATION

### Installation Considerations

Locate the heater carefully to minimize installation costs while providing maximum efficiency of operation, and to allow adequate service access, as follows:

For unrestricted air intake and service access, position each side of the unit according to **Figure 2**.

**⚠ WARNING:** This unit is designed for outdoor installation. It is NOT certified for indoor installation. DO NOT install it in an enclosed area such as a shed or garage, or under a porch or deck.

To minimize water piping, locate the unit as close as possible to the existing pool pump and filter.

Irrigation water should be directed away from the heater as irrigation water spray can damage the heater.

Rain water runoff - the unit is designed to operate outdoors and can be exposed to rain. However, rain water run off falling directly onto the unit can cause damage and/or shorten the life of your unit. Such damage is not covered under warranty. Install rain gutters or rain diverters on your roof if the unit is installed in a position where contact with rain runoff may occur.

APPROVED

**⚠ WARNING:** Do not install the unit within 3 ft (0.9 m) of fossil-fuel-burning heaters. Air intake along the sides of this heater could disturb the combustion process of the unit, and could cause damage or personal injury. Mount the unit on a level, sturdy base, preferably a concrete slab. The size of the base should be at least 3 ft by 3 ft (0.9 m x 0.9 m).

## Installation Requirements

The heater must be installed by a pool professional. End users are not qualified to install the heater. Damage may occur to the heater or threaten the safety of the user.

1. The heater must be installed OUTSIDE in a well ventilated area to avoid air recirculation, and in a place with adequate room for both installation and maintenance. Please refer to the following illustration.
2. This unit requires a minimum of 12" (305 mm) of clearance from walls, shrubbery, equipment, etc. around the entire perimeter of the heater. This allows for ample air intake. Ample clearance around the air outlet is required to prevent recirculation of air. We recommend not placing the unit underneath eaves, decks, or porches, as this causes recirculation of discharged air, thereby reducing the efficiency of the heater, or even stopping it.
3. Do not stack anything that will block air flow near the inlet or outlet areas, or have any barrier within 20" (508 mm) behind the main heater, or the efficiency of the heater will be reduced.

4. The heater needs a pool pump (to be supplied by the user). For recommended pump flow rates, see **Table J** for Inverter Models, or **Table K** for On/Off Models.
5. When the heater is running, there will be condensation water discharged at the base. Place the drainage nozzle into the condensation outlet and attach it securely, then contact a drainage pipe from it to the drain.
6. The piping between pool and the heater should be less than 30 ft (9.1 m), or heater performance cannot be ensured.
7. For best results, insulate the pipes between the pool and heater.
8. It is important to keep the area next to the heater clear of shrubs, bushes and chemical containers. These could prevent air from circulating fully through the heater, and will affect the operation of the heater or damage the heater.
9. When installed in areas where freezing temperatures can be encountered, drain the water circuit to prevent possible freeze-up damage. See page 23 for proper procedures.
10. If the heater is below the water line of the pool, an external WFS might be needed.

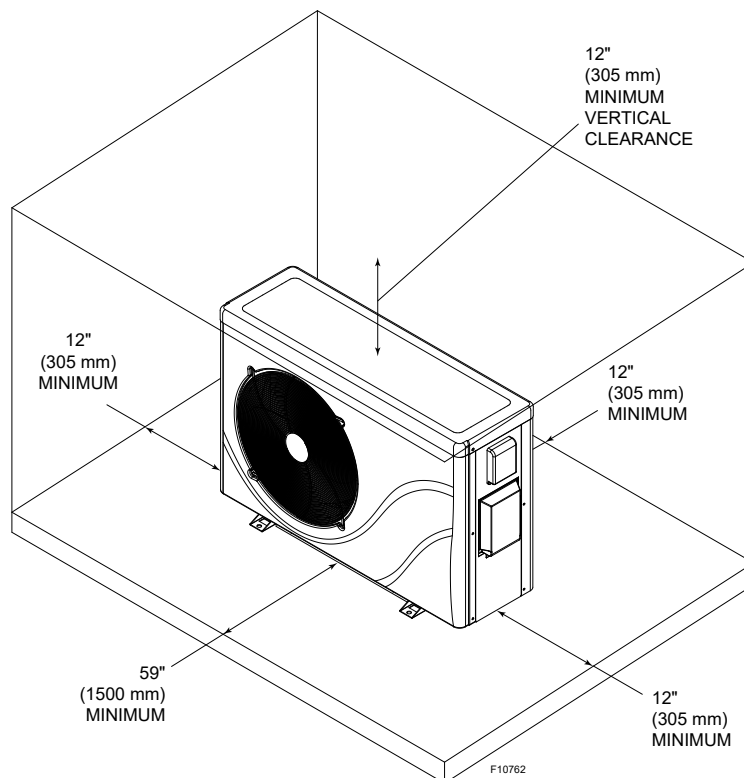


Figure 2. Ventilation Clearances

APPROVED

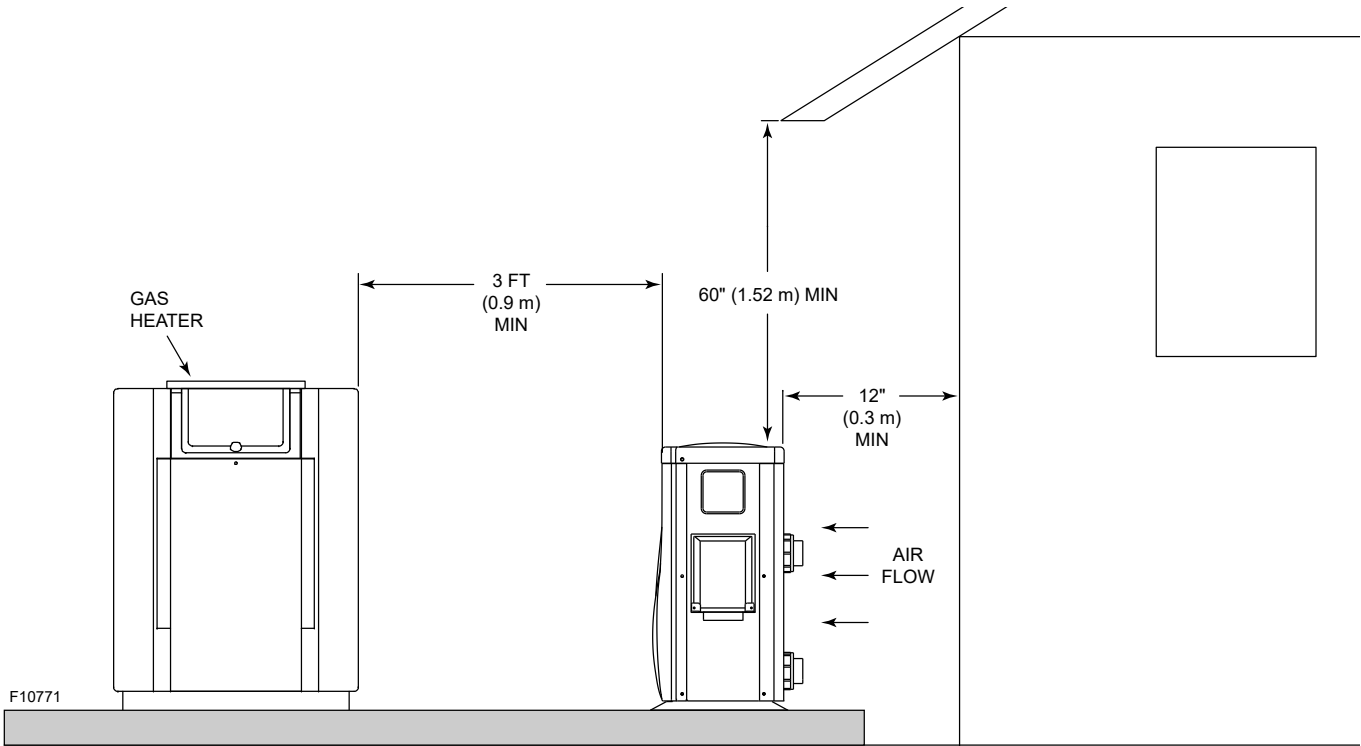


Figure 3. Installation Clearances

Inverter Models 60Hz (Heating and Cooling)				
Models	Raypak P/N	Rheem P/N	RUUD P/N	Jacuzzi P/N
CROSSWIND-30-I	17738	17742	17746	17750
CROSSWIND-40-I	17739	17743	17747	17751
CROSSWIND-50-I	17740	17744	17748	17752
CROSSWIND-65-I	17741	17745	17749	17753

On/Off Models 60Hz (Heating and Cooling)				
Models	Raypak P/N	Rheem P/N	RUUD P/N	Jacuzzi P/N
CROSSWIND-40-O	18122	18125	18128	18131
CROSSWIND-50-O	18123	18126	18129	18132
CROSSWIND-65-O	18124	18127	18130	18133

Table B. Model Identification



## Components for Inverter Models

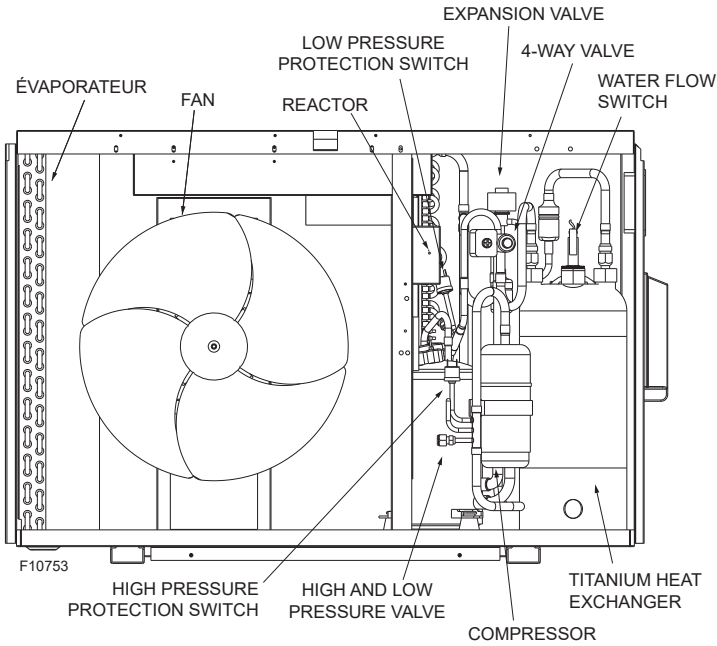


Figure 4. Inverter Model - Component Locations, Front View

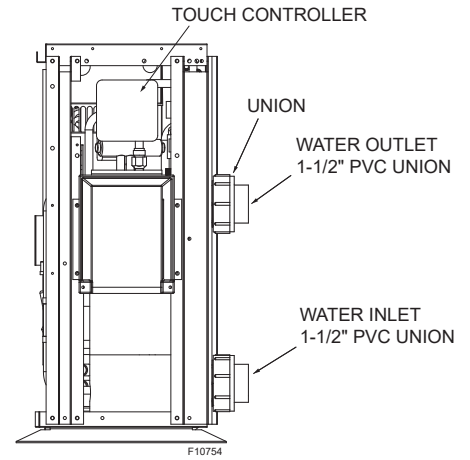


Figure 5. Inverter Model - Component Locations, Right Side View

## Components for On/Off Models

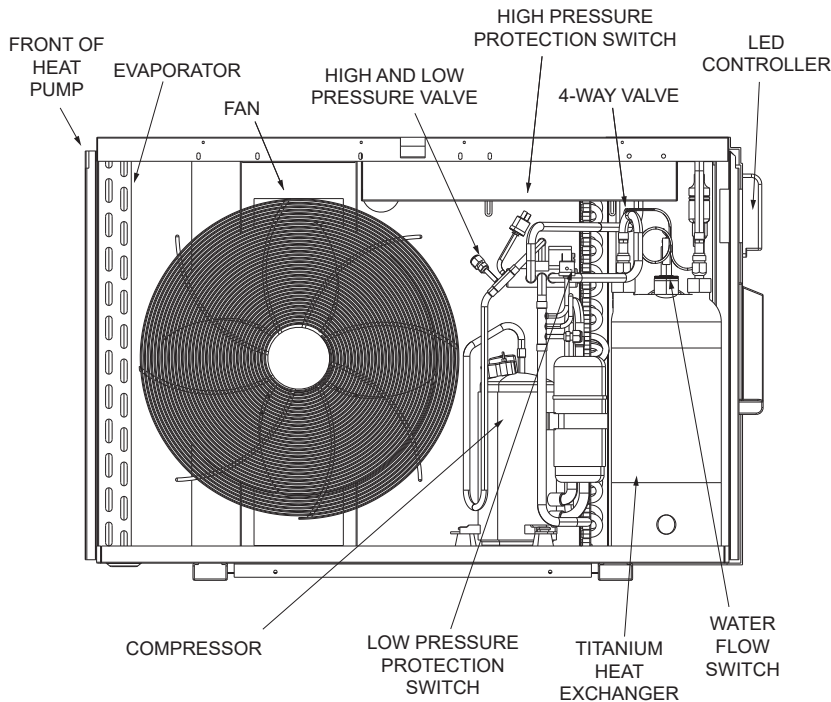


Figure 6. On/Off Model - Component Locations, Front View

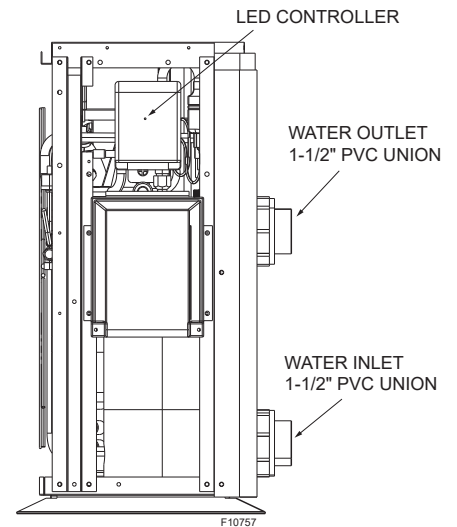


Figure 7. On/Off Model - Component Locations, Right Side View

# Specifications and Dimensions

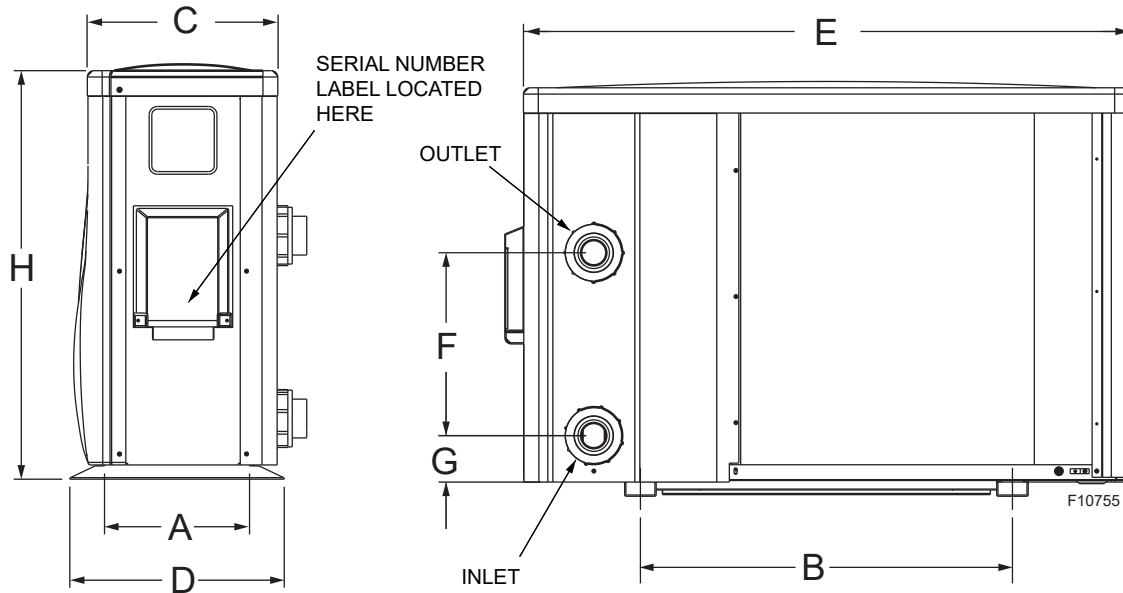


Figure 8. Dimensions

Inverter Models									
Models	A	B	C	D (Width)	E (Length)	F	G	H (Height)	Weight lb. (kg)
CROSSWIND-30-I	12.4 (315)	23.2 (312)	12.3 (312)	13.4 (340)	39 (991)	11.4 (290)	2.9 (74)	25.9 (657)	104 (47)
CROSSWIND-40-I	12.4 (315)	23.2 (312)	12.3 (312)	13.4 (340)	39 (991)	11.4 (290)	2.9 (74)	25.9 (657)	106 (48)
CROSSWIND-50-I	12.4 (315)	23.2 (312)	12.3 (312)	13.4 (340)	39 (991)	13 (330)	2.9 (74)	25.9 (657)	115 (52)
CROSSWIND-65-I	15.6 (395)	23.2 (312)	15.4 (390)	16.5 (420)	39 (991)	14.2 (360)	2.9 (74)	25.9 (657)	137 (62)

On/Off Models									
Models	A	B	C	D (Width)	E (Length)	F	G	H (Height)	Weight lb. (kg)
CROSSWIND-40-O	12.4 (315)	23.2 (590)	12.3 (312)	12.4 (315)	39 (991)	11 (280)	3 (77)	25.9 (657)	126 (57)
CROSSWIND-50-O	15.6 (395)	24 (610)	15.4 (390)	15.6 (396)	39 (991)	12.2 (310)	3 (77)	25.9 (657)	150 (68)
CROSSWIND-65-O	15.6 (395)	23.2 (590)	15.2 (387)	15.6 (396)	39 (991)	15 (380)	3 (77)	29.8 (757)	172 (78)

Table C. Basic Product Data - in. (mm)

APPROVED

## Water Connections

**NOTE:** Unions Lock-Rings and O-rings are connected to the Inlet and Outlet of the Heat Exchanger.

**CAUTION:** The heater inlet and outlet connections are NOT interchangeable. They must be connected as instructed below.

**WARNING:** Chemical feeders can result in serious damage to, or premature failure of the heater and may void the heater warranty. Install a check valve and/or a Hartford loop AFTER the heater and BEFORE any chlorinating devices. Install any automatic chemical feeders AFTER the heater.

1. Connect the heater in the return water line between the filter and the pool/spa. See the piping layout shown in **Figure 9**.
2. Connect the filter outlet to the fitting marked at the bottom front of the unit.
3. Connect the fitting marked to the return piping to the pool/spa. The inlet/outlet connection fittings of the unit are 1-1/2 inch PVC unions.

Water connections from the heater to the main return line can be PVC pipe or flexible pipe approved for the purpose and, in either case, should be at least equal in size to the main pool/spa circulation piping.

1. Shutoff diverter valves, preferably three-way valves which allows for a bypass route, on the inlet and outlet lines of the heater are required:
  - a. to protect (completely bypass) the heater from any harmful chemical treatments (i.e. acid wash, back-to-back super chlorinators, stain treatments, etc.); or
  - b. to isolate the heater for service/repair or freeze preparation and still allow pool/spa circulation to continue.

Install any automatic chemical feeders downstream of the heater. See the piping layout shown in **Figure 9**.

Note that some municipalities do not allow the use of a shutoff valve on the effluent/outlet side of any heating equipment, especially when there is one on the inlet side. These entities typically instead allow a PVC tee and spring check valve on the effluent/outlet side. This is acceptable and can also double as your protection from chemical feeders and chlorinators that are downstream of the unit.

Operate the pump and check the system for leaks.

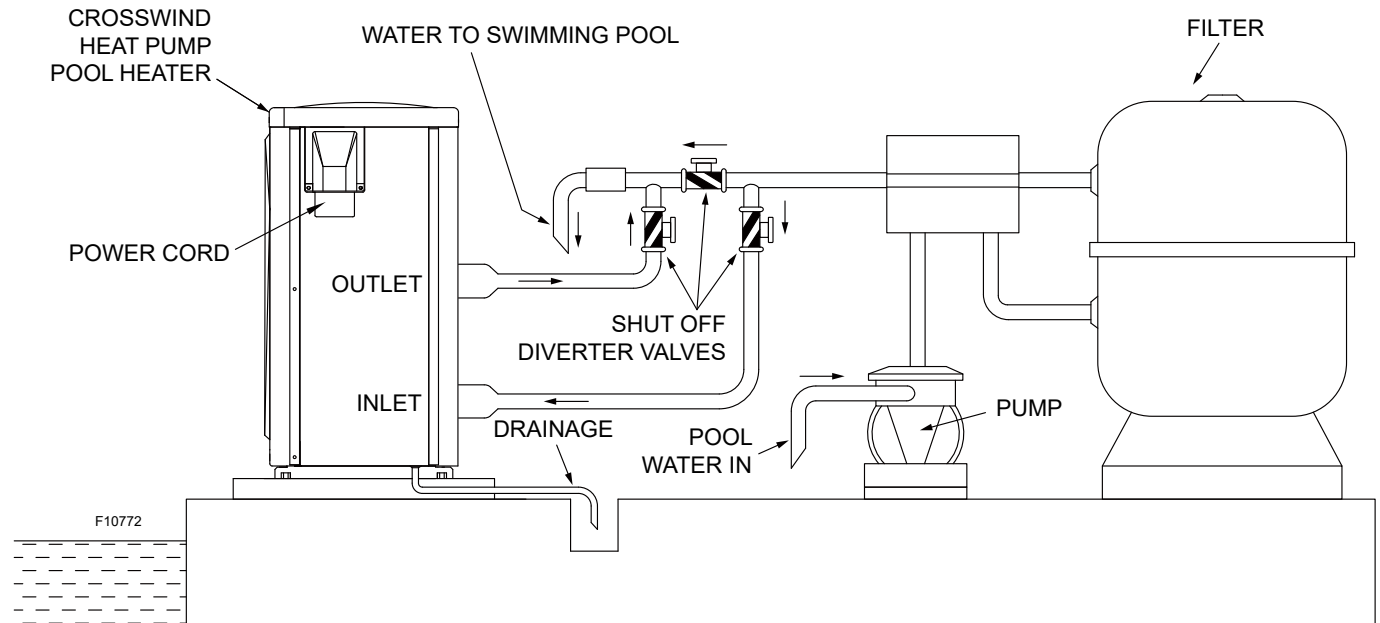
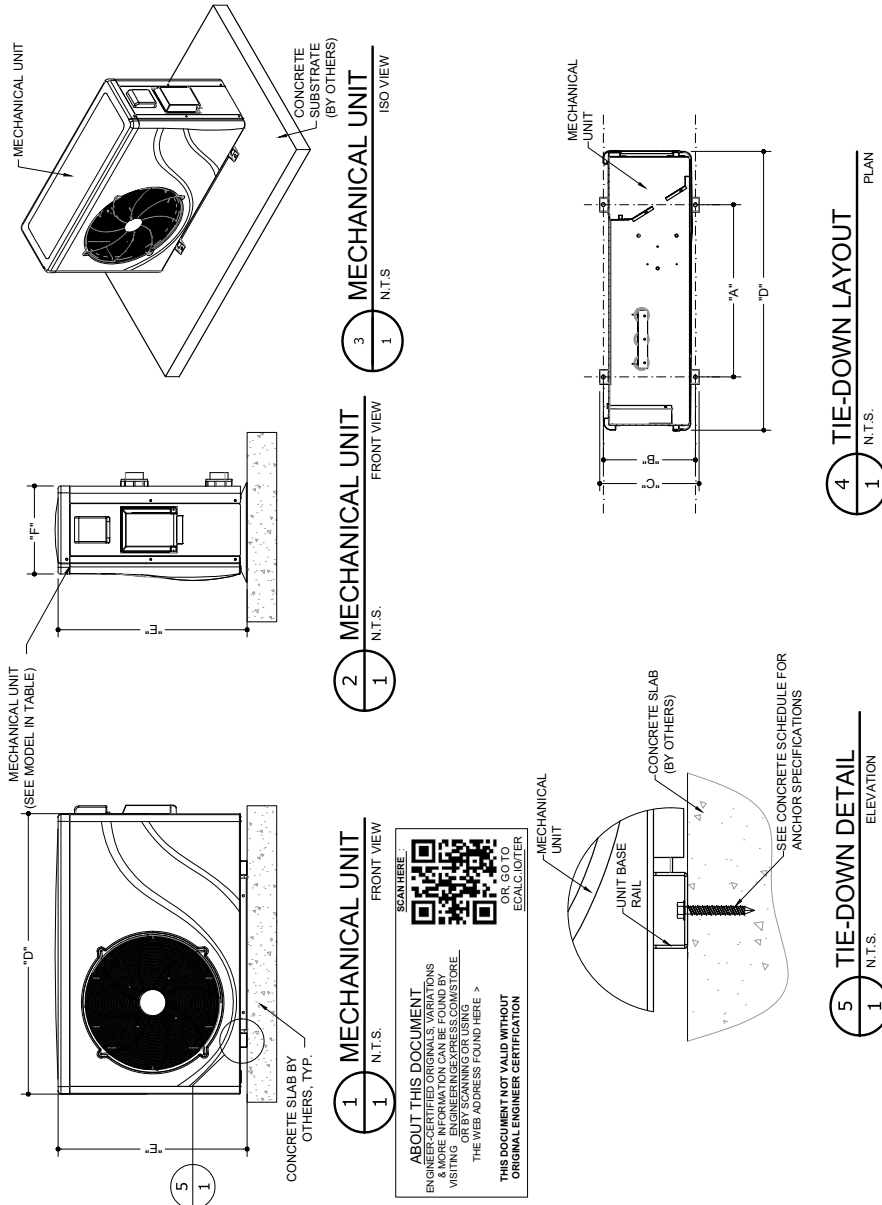


Figure 9. Piping Layout

# RAYPAK, INC.

## WIND LOAD EVALUATION OF HEAT PUMP CROSSWIND MODELS: AT GRADE MOUNTED APPLICATIONS

APPROVED DESIGN CRITERIA:  
 50.2 PSF LATERAL  
 41.2 PSF UPLIFT  
 WIND LOAD



1 MECHANICAL UNIT FRONT VIEW  
 1 N.T.S.

2 MECHANICAL UNIT FRONT VIEW  
 1 N.T.S.

3 MECHANICAL UNIT ISO VIEW  
 1 N.T.S.

4 TIE-DOWN LAYOUT PLAN  
 1 N.T.S.

5 TIE-DOWN DETAIL ELEVATION  
 1 N.T.S.

SCAN HERE

ABOUT THIS DOCUMENT  
 ENGINEER CERTIFIED ORIGINALS AVAILABLE FOR VERIFICATION  
 VISITING ENGINEER EXPRESS COMPOSITE STORE  
 OR BY SCANNING OR USING  
 THE WEB ADDRESS FOUND HERE >

THIS DOCUMENT NOT VALID WITHOUT ORIGINAL ENGINEER CERTIFICATION

OR GO TO  
 ECALC.IGT/TER

ANCHOR SCHEDULE:

SUBSTRATE	DESCRIPTION
CONCRETE: (4" THICK MIN. 3000 PSI MIN.)	(1)-1/4" ELOCO ULTRACON SS4, 1/2" EMBEDDED INTO 3 KSI CONCRETE. FASTENED TO ADJACENT ANCHOR OR ANY EQUIVALENT RATED CAPACITY ANCHOR.

See "Table C. Basic Product Data - in. (mm)"  
 on page 10 for dimensions and weights.

### DESIGN NOTES:

SITE-SPECIFIC PRESSURE REQUIREMENTS AS DETERMINED IN ACCORDANCE WITH ASCE 7-10 AND CHAPTER 16 OF THE FLORIDA BUILDING CODE SHALL BE LESS THAN OR EQUAL TO THE DESIGN PRESSURE CAPACITY VALUES LISTED HEREIN FOR ANY ASSEMBLY AS SHOWN. DESIGN PRESSURE REQUIREMENTS SHALL BE DETERMINED BY A REGISTERED DESIGN PROFESSIONAL ON A SITE-SPECIFIC BASIS IN ACCORDANCE WITH THE GOVERNING CODE.

### GENERAL NOTES:

- THIS SYSTEM HAS BEEN DESIGNED AND SHALL BE FABRICATED IN ACCORDANCE WITH THE REQUIREMENTS OF THE FLORIDA BUILDING CODE SIXTH EDITION (2017). THIS SYSTEM MAY BE USED WITHIN AND OUTSIDE THE HIGH WIND SPEED HURRICANE ZONE. THIS DESIGN IS NOT MEANT TO BE USED IN A HIGH WIND SPEED HURRICANE ZONE. MECHANICAL UNIT CABINETS SHALL BE DESIGNED TO WITHSTAND A MINIMUM WIND SPEED OF 110 MPH. RESISTANCE OF THE MECHANICAL UNIT SHALL CONFORM TO ALL DIMENSIONS AND THE MINIMUM WEIGHT (100 LB MINIMUM) OF MECHANICAL UNIT SHALL CONFORM TO LIMITATIONS STATED HEREIN. ALL MECHANICAL SPECIFICATIONS (CLEAR SPACE, TONNAGE, ETC.) SHALL BE AS PER MANUFACTURER RECOMMENDATIONS AND ARE THE EXPRESS RESPONSIBILITY OF THE CONTRACTOR.
- ANCHORS REFERRED TO HEREIN SHALL BE ELOCO ULTRACON SS4 OR ANY EQUIVALENT RATED CAPACITY ANCHOR. ANCHORS SHALL BE INSTALLED TO 3000 PSI MIN CONCRETE. SEE ANCHOR SCHEDULE FOR ANCHOR REQUIREMENTS. ALL FASTENERS SHALL HAVE APPROPRIATE CORROSION PROTECTION TO PREVENT ELECTROLYSIS.
- ALL CONCRETE SPECIFIED HEREIN IS NOT PART OF THIS CERTIFICATION. AS A MINIMUM, ALL CONCRETE SHALL BE STRUCTURAL CONCRETE 4" MIN. THICK AND SHALL HAVE A MINIMUM COMPRESSIVE STRENGTH OF 3000 PSI, UNLESS OTHERWISE SPECIFIED. THE CONTRACTOR IS RESPONSIBLE TO INSULATE ALL MEMBERS FROM DISSIMILAR MATERIALS TO PREVENT ELECTROLYSIS.
- ELECTRICAL GROUNDING, WHEN REQUIRED, TO BE DESIGNED & INSTALLED BY OTHERS.
- THE ADEQUACY OF ANY EXISTING STRUCTURE TO WITHSTAND SUPERIMPOSED LOADS SHALL BE VERIFIED BY THE ON-SITE DESIGN PROFESSIONAL AND IS NOT INCLUDED IN THIS CERTIFICATION EXCEPT AS EXPRESSLY PROVIDED HEREIN. NO ADDITIONAL CERTIFICATIONS OR AFFIRMATIONS ARE INTENDED.
- THE SYSTEM DETAILED HEREIN IS GENERIC AND DOES NOT PROVIDE INFORMATION FOR A SPECIFIC SITE. FOR SITE CONDITIONS DIFFERENT FROM THE CONDITIONS DETAILED HEREIN, A LICENSED ENGINEER OR REGISTERED ARCHITECT SHALL PREPARE SITE SPECIFIC DOCUMENTS FOR USE IN CONJUNCTION WITH THIS DOCUMENT.

APPROVED

Figure 10. Hurricane Tie Down Instructions

# 4. ELECTRICAL WIRING

## Wiring

Electrical installation should be done by a licensed electrician only.

1. Make sure the power supply is at the rated voltage of the appliance.
2. Ground the heater.
3. Wiring must be installed by a professional installation technician and follow the circuit diagram.

## Electrical Connections

Electrical installation should be done by a licensed electrician only.

Refer to the unit rating plate below the control panel for precise power requirements for your unit, and for ampacity and over-current protection requirements.

All wiring must be in accordance with the National Electrical Code, NFPA No. 70, latest edition, and all applicable state and local codes. The wiring diagrams are located on **page 14** through **page 18**.

**⚠ WARNING:** This heater **MUST** be installed using flexible conduit for supply wiring to the unit. This will allow movement of the conduit whenever the junction box is removed for service.

Locate the equipment disconnect means within 3 ft. (0.9 m) of the heater's electrical enclosure, or as close to the heater as possible. Always satisfy applicable codes and standards.

In sizing power wiring, be especially aware of up-sizing requirements necessary due to wiring distances. Always satisfy applicable codes and standards.

**NOTE:** Refer to the National Electrical Code, Article 680, for general requirements for swimming pools and equipment, and to Article 440 for special considerations necessary for circuits supplying hermetic refrigeration motor/compressors.

This heater is pre-wired to work with external control systems, heat-on-demand options, and other external time clock overrides. Refer to the external control system's instructions.

**NOTE:** Please refer to **page 23** for instructions on the Time Clock Override. **page 24** & **page 25** refer to instructions on operating multiple Heat Pumps with a Lead Heat Pump to control follower Heat Pumps.

Models	Power	Min. Circuit Ampacity	Breaker Size (Amp)	
			min.	max.
CROSSWIND-30-I	208-230VAC 60HZ/1PH	12A	15A	15A
CROSSWIND-40-I		12A	15A	15A
CROSSWIND-50-I		16A	20A	20A
CROSSWIND-65-I		20A	20A	25A
CROSSWIND-40-O		12A	15A	15A
CROSSWIND-50-O		16A	20A	20A
CROSSWIND-65-O		17.2A	25A	25A

\* Reference only - see National Electrical Code or local codes for wire gauge length limits.

**Table D. Electrical Power Requirements**

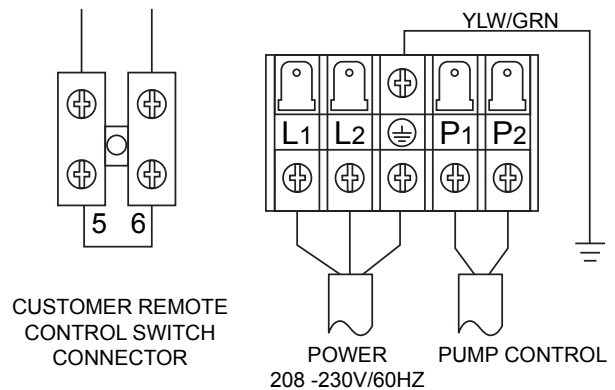
## Automation Control

### 2-Wire System - Heat Only (Inverter models only)

The Crosswind inverter models have a temperature sensor for temperature automation control.

#### Heater 2-Wire Controllers (Heat Only)

1. Install wires from the automation controller for "Heat" on the terminal strip inside the heater electrical compartment on the side of the heater.
2. Remove the jumper wire on the terminal block from terminals marked #5 and #6. See **Figure 11**, and wiring diagrams on **page 14** through **page 19**.



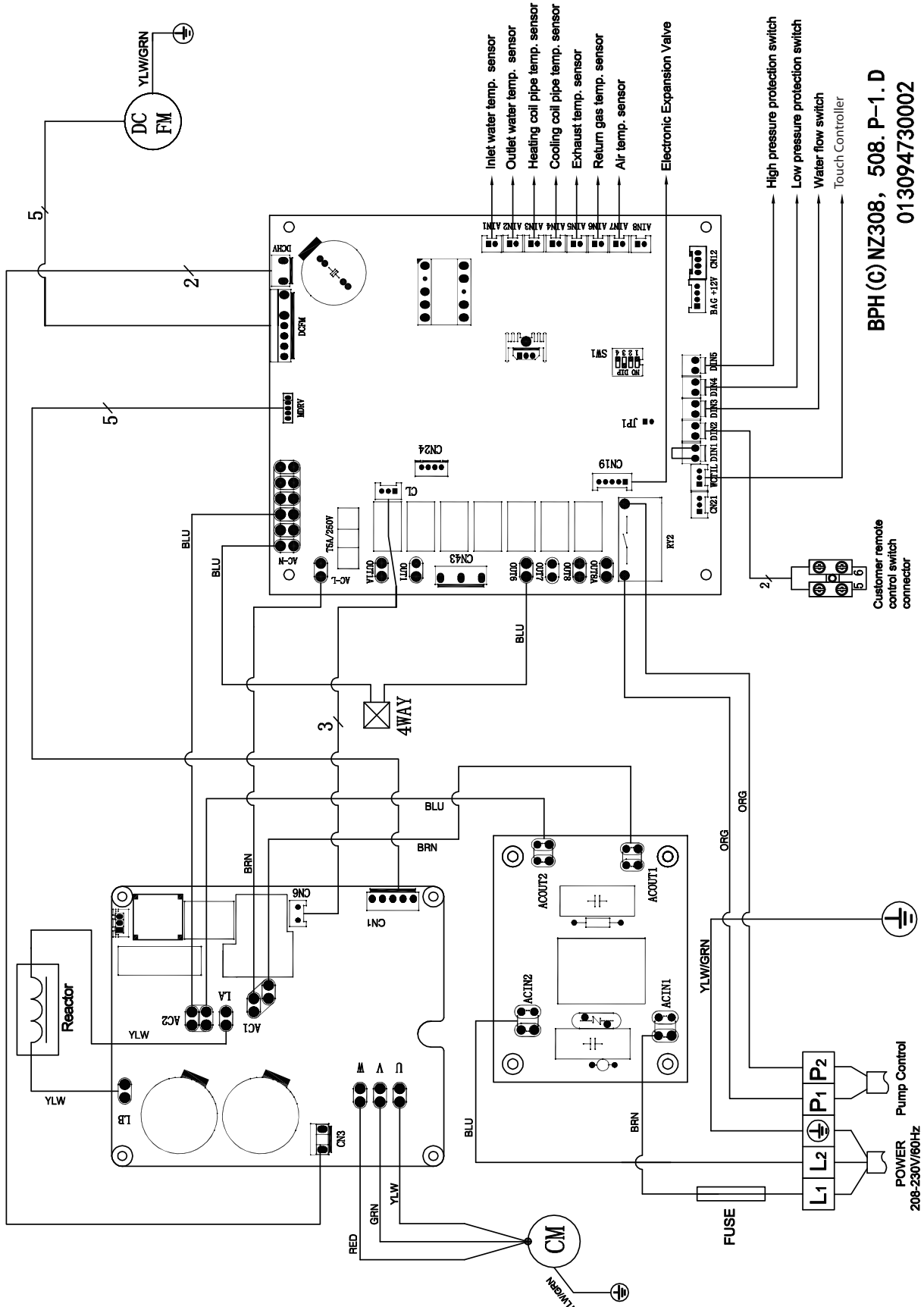
**Figure 11. Automation Control 2-Wire System Connection**

3. Install the automation control wires for "Heat" to terminals #5 and #6.
4. Set temperature setting on the heater to 104°F (40°C).

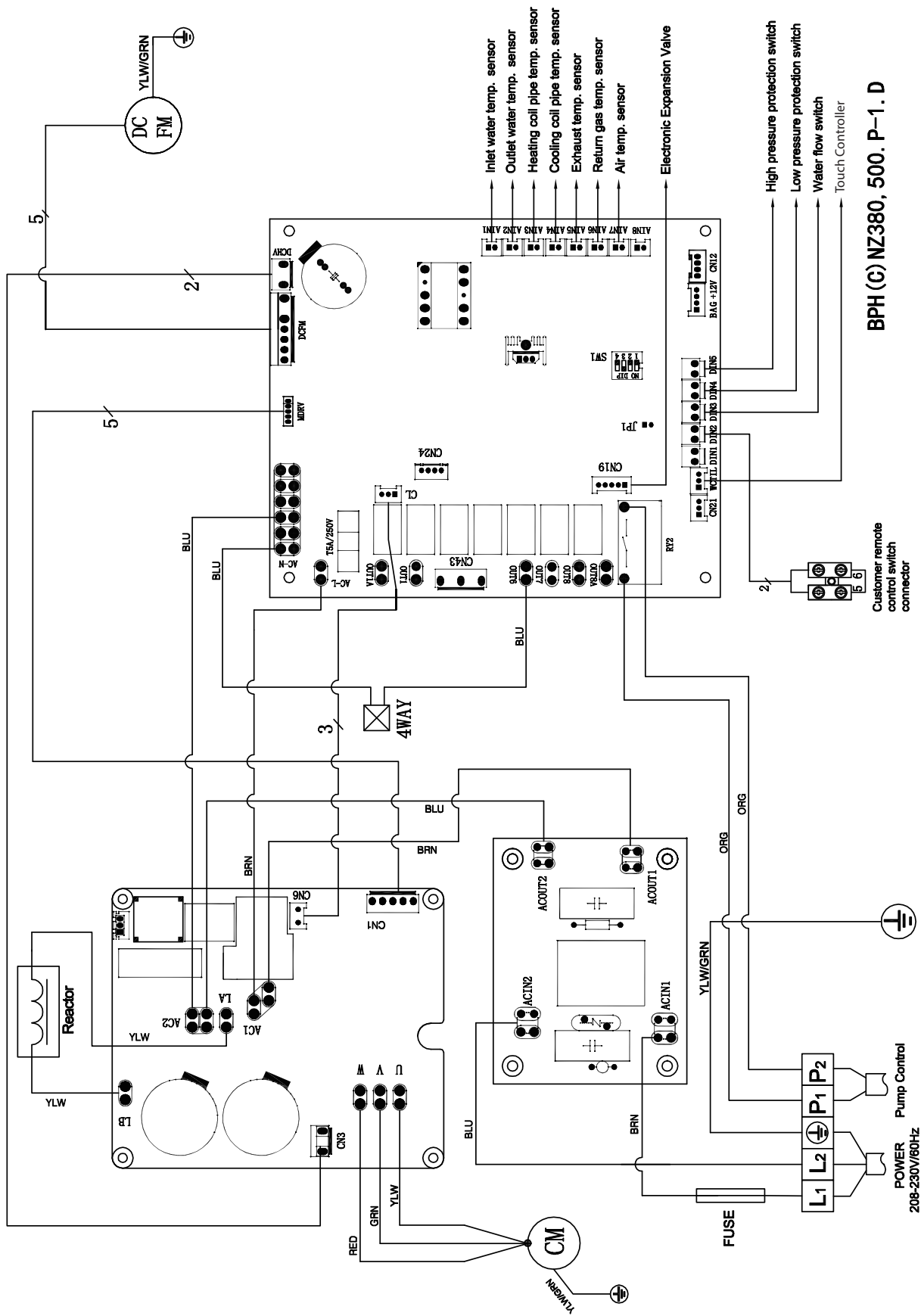
**NOTE:** When the automation controller has a HEAT command the unit will be in the HEAT mode. When the automation controller does not have a HEAT command the unit will be in the OFF mode.

# 5. WIRING DIAGRAMS

## Crosswind-30-I, 50-I

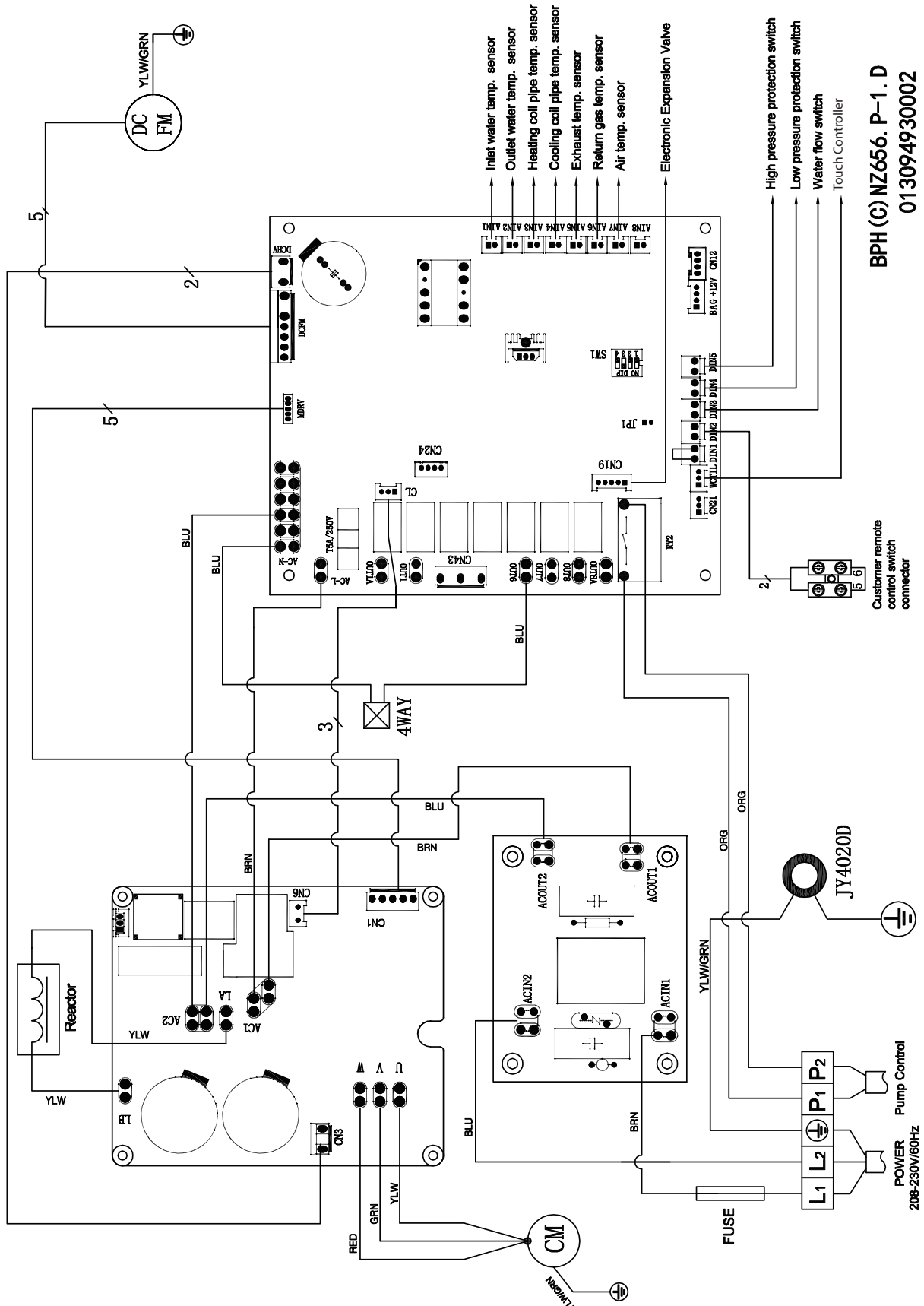


BPH (C) NZ308, 508. P-1. D  
013094730002



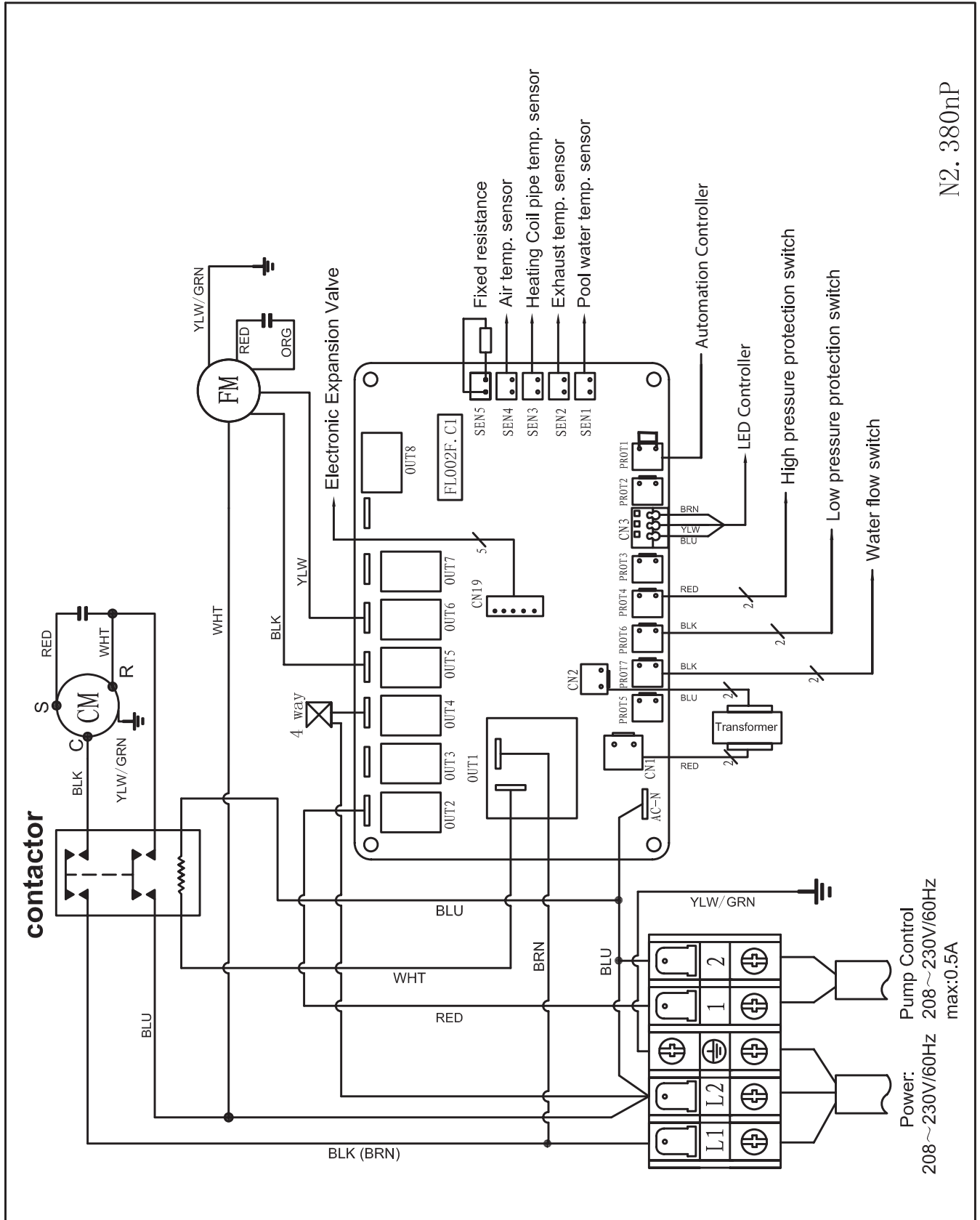
BPH (C) NZ380, 500, P-1, D

Crosswind-65-I



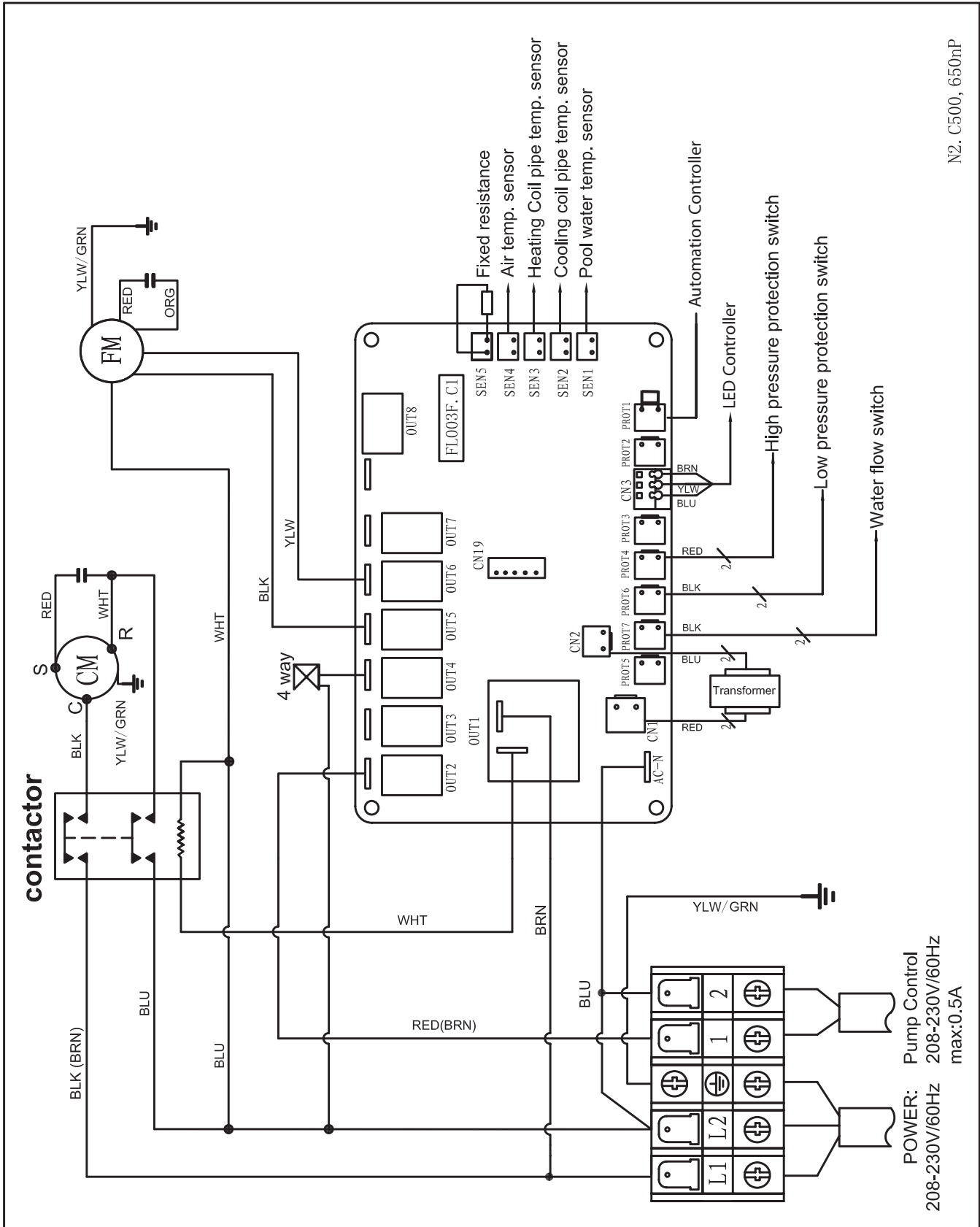
BPH (C) NZ656. P-1. D  
013094930002





N2. 380nP

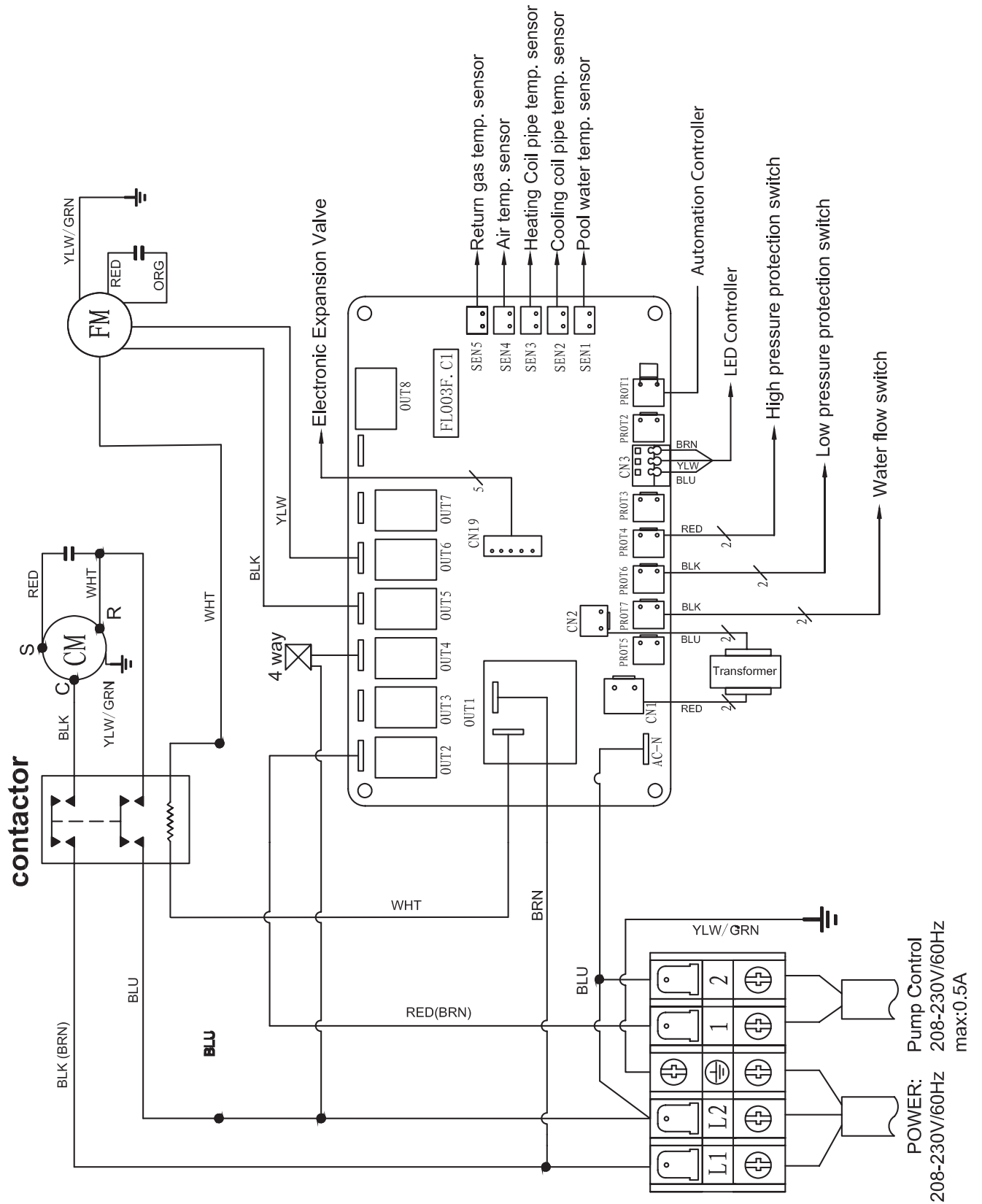
Crosswind-50-O



N2. C500, 650nP

# Crosswind-65-O

APPROVED



UNCONTROLLED DOCUMENT IF PRINTED

## 6. CONTROLS

### Inverter Models Only

The Display controls general operation. The layout, main functions and buttons are shown below.

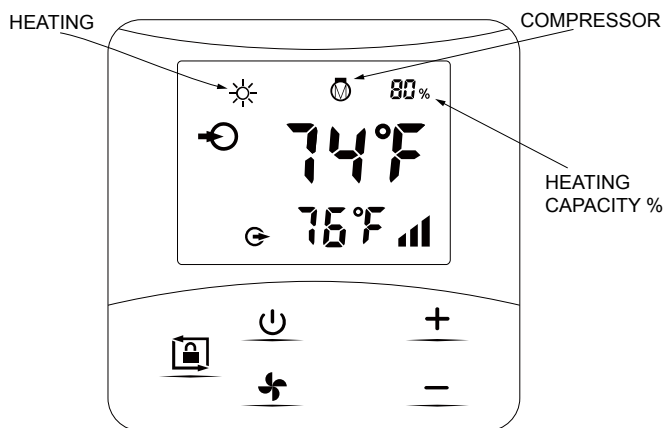


Figure 12. Operation Display, Models -30-I through -65-I

Symbol	Designation	Button Functions
		Press 3 seconds to unlock/lock screen
	ON/OFF	Power On/Off
	Speed	Smart/Silent Mode
	Up	Temperature Adjustment
	Down	Temperature Adjustment

Table E. Display Button Functions

### Power On

Press the LOCK button for 3 seconds to light up screen, then press POWER to power on the heater.

### Adjust/Set Temperature:

When screen is unlocked, press UP or DOWN to display or adjust the set temperature.

To change from Fahrenheit to Celsius, press the and the for 3 seconds.

### Smart/Silent mode selection

Smart mode, as default, will be activated when the HEAT PUMP is on, and the screen shows .

Press FAN to enter Silent Mode. The display screen will show .

**NOTE: Select Smart Mode for initial heating.**

## APPROVED

### Screen Lock

If no button is used within 30 seconds, the screen will lock automatically. At this point the backlight will turn off and 0% will display.

Alternatively you can lock the display by pressing the LOCK button for 3 seconds to achieve the same result.

To unlock the screen and use any other button, follow the Power On instruction above.

### Defrosting

#### Auto Defrosting:

1. When the heater is defrosting, HEATING will continually flash.
2. After defrosting, HEATING will stop flashing.

#### Manual Defrosting:

1. When heater is heating, press FAN and MINUS together for 5 seconds to start manual defrosting, will flash continuously.

After defrosting, HEATING will stop flashing.

**NOTE: Manual defrosting intervals should be more than 30 minutes and the compressor should run for more than 10 minutes.**

### Heat, Cool or Auto Mode

1. Press the Lock button for 3 seconds to light the screen.
2. Press the Lock button to change the Heat Pump operating MODE.

### MODES:

- POOL HEAT (sun icon) Heat to set point
- POOL COOL (snow icon) Cool to set point
- POOL AUTO (triangle icon) Heat or Cool to set point.

## On/Off Models Only

The display controls general operation. The layout, main functions and buttons are shown below.

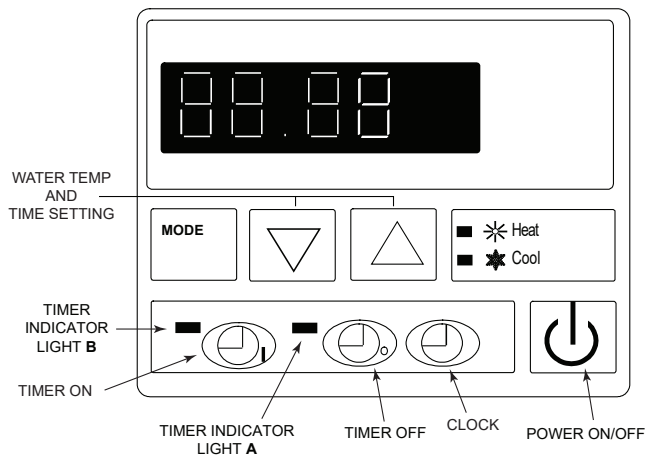


Figure 13. Operation Display, Models -40-O through -65-O

Symbol	Designation	Button Functions
	Power	Power Switch
	Clock	Set local time
	Timer Off	Set the time required machine auto-stop
	Light A	Shows the auto-stop time being set
	Timer On	Set the time required machine auto-work
	Light B	Shows the auto-work time being set
	Cool	Shows the cool mode (for heat and cool models only)
	Heat	Shows the heat mode
	MODE Key	Heat or cool mode selection (only available in heat and cool machine)
	Down-ARROW	Set required temperature and time
	Up-ARROW	Set required temperature and time
	LED screen	Display time, temperature and machine failure code

Table F. Display Button Functions

## Using the On/Off Display Unit

### Display defaults

- The LED screen will display the time when the machine is off.
- The LED screen will display the current water temperature in the pool when the machine is on.

To change from Fahrenheit to Celsius, press and HOLD the Timer ON button for 10 seconds to change from °F to °C.

## Heat/Cool Mode

- Press the MODE button to switch from one mode to another.

**NOTE:** Available only in heat and cool models.

### Setting pool water temperature

Temperature can be adjusted either when the machine is on or off.

- Press UP or DOWN to set your target pool water temperature.
- The numbers on the LED screen will flash during adjustment.
- After five seconds of inactivity, the LED will stop flashing, the adjusted target temperature will be saved, and the LED screen will revert to the default display.
- Later on, at any time, if you want to check the temperature setting, press UP or DOWN again to access its setting.

### Setting the clock

- The clock can be set either when the machine is on or off.
- Press CLOCK to set the time to your local time zone. The displayed time on the LED screen will now flash.
- To set the hour press CLOCK again, then press UP or DOWN .
- To set the minute press CLOCK before it stops flashing and then press UP or DOWN .
- After setting, press CLOCK and the water temperature will appear. After 30 seconds, it will stop flashing and the LED screen will return to its default.

### Automatic on/off settings









The display can be programmed to turn the machine on and off automatically.

#### Setting the ON time

- Press CLOCK to access the timer function.
- When the indicator light is on and the time is flashing, press CLOCK again to set the hour. Use UP or DOWN to adjust.
- While the display is still flashing, press to set minute. Use UP or DOWN to adjust.
- After adjustment, press TIMER ON to confirm the setting, and the water temperature will be displayed. After 30 seconds, the controller display will revert to its default mode.




## 7. OPERATING INSTRUCTIONS

### Setting the OFF time

1. Press CLOCK  to access the timer function.
2. When the indicator light is on and the time is flashing, press CLOCK  again to set the hour. Use UP  or DOWN  to adjust.
3. While the display is still flashing, press  to set minute. Use UP  or DOWN  to adjust.
4. After adjustment, press TIMER OFF  to confirm the setting, and the water temperature will be displayed.

After 30 seconds, the display will revert to its default mode.

### Canceling automatic mode

1. Press TIMER ON  or TIMER OFF  to cancel automatic on/off operation.
2. While the LED is still flashing, press CLOCK . Note that when the timer indicator light goes off, and LED shows water temperature, the timer automatic on/off function is canceled.

After 30 seconds, the display will revert to its default mode.

### Defrosting

**NOTE:** Manual defrosting intervals should be more than 30 minutes and the compressor should run for more than 10 minutes.

### Automation Control - ON/OFF model

This feature is operational only in Heat Mode.(2-wire system).

The ON/OFF model have a temperature sensor for temperature automation control.

Please refer **page 24** for operational instructions.

### Start-Up Procedures

If your heater has been installed correctly, operating the heater is an easy task. The display allows you to turn the heater ON or OFF and adjust the temperature settings for the pool or spa. The temperature range is factory-set from 64°F (18°C) to 104°F (40°C) - HEAT ONLY. 54°F (12°C) to 86°F (30°C) - COOL ONLY.

Details on **Inverter Models** for starting, and adjusting the settings, see **page 20**. For **On/Off Models** see **page 21**.

### Before Start-Up

#### Model Identification

The model number of the heater can be found on the rating plate, **Figure 1**.

#### Water

Water must be flowing through the heater during operation. Ensure that the system is filled with water and that the pump is operating.

**⚠ WARNING:** Operation of the heater without water circulation will cause rapid and severe damage to the heater, and will void the warranty.

### Starting

**NOTE:** The user must start the pool pump before the heater, and turn off the heater before the pool pump, or the heater will be damaged.

The user should start the pool pump, and check for any leakage of water; Power on and press the ON/OFF button on the heater, and set a suitable temperature at the thermostat.

In order to protect the heater, the heater is equipped with a time-delay starting function. When starting the heater, the blower will run for 1 minute before the compressor.

After the heater starts up, check for any abnormal noise from the heater.

### After Start-Up

Feel the inlet and outlet pipes. The outlet pipe should be only slightly warmer than the inlet. It should not be hot.

Details on **Inverter Models** for adjusting the settings, see **page 20**. For **On/Off Models** see **page 21**.

#### Model Identification

The model number of the heater can be found on the name plate, **Figure 1**.

## Maintenance

**⚠ CAUTION:** Turn off heater power supply before service work including cleaning, examination, or repair. Do not touch any electronic components until the LED indication lights on the PCB is off.

When a power outage happens while the heater is running, the heater will restart automatically when the power is restored. Please switch off the power supply when there is a power outage, and reset the temperature setting when power is restored.

If the heater is stopped for a long time, please cut off the power supply and drain water completely from the heater by opening the union of the inlet pipe.

Check bolts, cables, and connections regularly for looseness and adjust as needed.

## Cold Weather Operation

In the 'off' season, when the pool is not going to be used at all:

1. Cut off the power supply to avoid damage to the heater.
2. Drain water from the heater by removing the piping connection on both the inlet and outlet side, from the pool to the heater. As needed, use a shop dry/wet vac or air pressure to purge any excess water.
3. Unscrew the water union of the inlet pipe (top) to let water flow out completely from the outlet (bottom).

**⚠ CAUTION:** If water is left in the system during freezing weather, the titanium heat exchanger may be damaged.

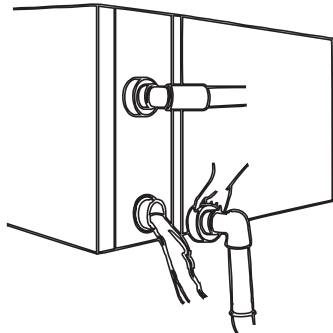


Figure 14. Inlet and Outlet Connections

4. Cover the heater when not in use to protect it from the weather.
5. Clean the heater exterior with standard household detergent or clean water. Never use gasoline, paint thinner or other flammable liquids.

## Testing

Inspection before use:

1. Check installation of the entire heater and pipe connections according to the pipe connecting drawing.
2. Check the electric wiring according to the electric wiring diagram; and grounding connection.
3. Make sure that the main heater power switch is off.
4. Check the temperature setting.
5. Check the air inlet and outlet.

## Time Clock Override Operation/ Time Clock Extender Operation (Inverter Models Only)

**Advanced application** (a professional technician shall perform this operation only) - Turns pool pump ON, sets time to check for a heat demand operation.

1. Press the **LOCK** pad and **HOLD** (3-seconds) to light up the screen.
2. Press **FAN** & the **+** pad together for 5-seconds.
3. The CODE "PO" with the value of "0" will be visible on the display. (**NOTE:** these steps must be done in 3-seconds or a restart in the programing is required).
4. Press the **FAN** pad to enter the modification code-press the **+** pad to change the code to "2".

Modification code 2 – Time/water temperature control through terminals **P1 & P2** (the value of the code will be flashing) (Time setting **ONLY** available when the **PO** is set to a value of "2". Adjust the range: 10 - 120-min.

5. Press the **FAN** pad to confirm and quit the modification code.
6. Press the **+** pad to the next modification code "**P1**".
7. Press the **FAN** pad – then press the **+** or **-** to change the time range – **DEFAULT** is set to 60-min. (**NOTE:** the value of the code will be flashing).
8. 60-minutes is the recommended setting, or you can change to a higher value (ex. 61 - 120 minutes).
9. Press the **FAN** pad to confirm and quit the modification code.

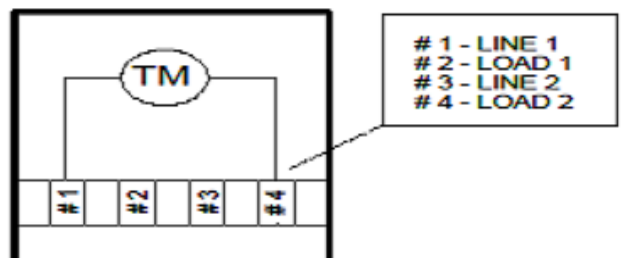


Figure 15. Simple Time Clock

**APPROVED**

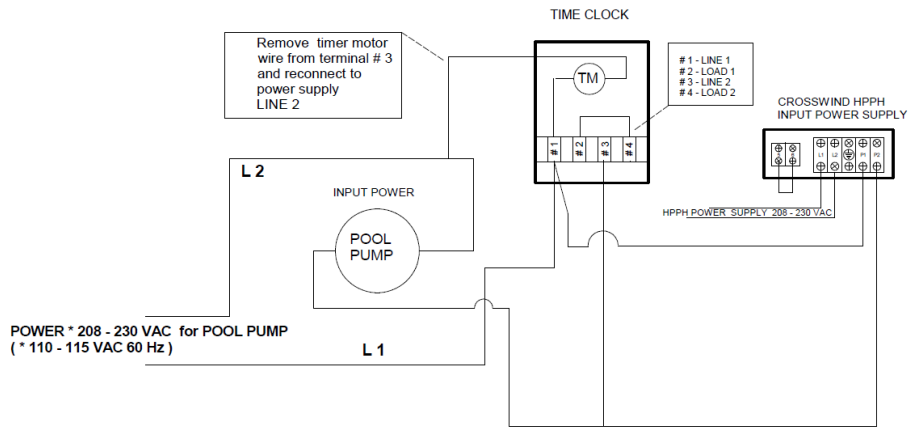


Figure 16. Time Clock Override/Extender Operation (Inverter Models Only)

**Crosswind HPPH ON/OFF Model**

To install an automation controller that has its own temperature sensor for **HEAT** demand to control the Crosswind **HPPH ON/ OFF** model.

1. Turn off the electrical power to Heat pump Pool Heater and pool pump.
2. Remove the Phillips screws that are on the top cover of the HPPH.
3. To gain access to the electrical components, remove the four (4) Philips screws on the electrical cover. See **Figure 17**.
4. Locate the connection for the **AUTOMATION CONTROLLER** terminals. See **Figure 18**.
5. To install the automation controller cable, cut and splice the **YELLOW** jumper wire on Terminal **PROT1** to the automation controller cable. See **Figure 19**.
6. Insert 36" + (1 meter) of cable through the chase to the PC Control Board. See **Figure 20**.
7. Program the setpoint to 104°F (40°C) – Press the **UP PAD** to set the target temperature to 104°F (40°C) or to another desired **MAX** temperature.

**NOTE:** When the automation controller has a **HEAT** demand, the HPPH will be in the **HEAT** mode.

When the automation controller does not have a **HEAT** demand, the HPPH will be in the **OFF** mode.

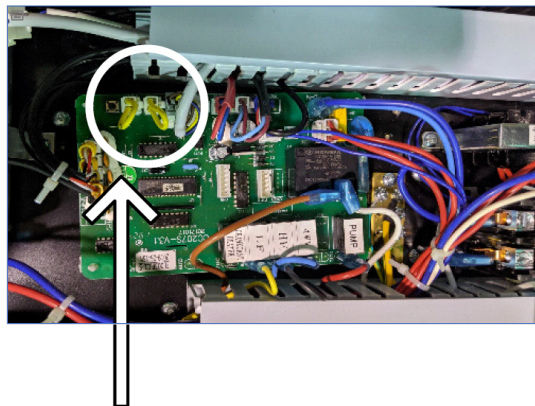


Figure 18. Automation Controller Cable Connection

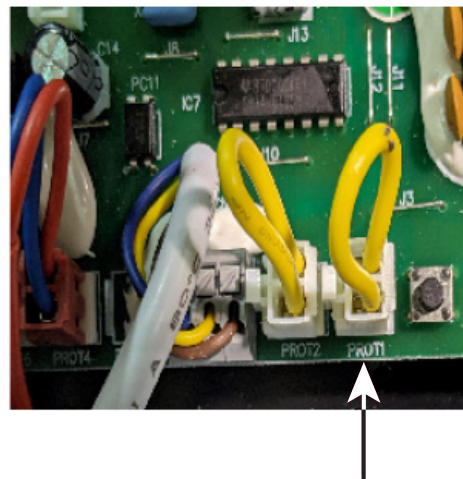
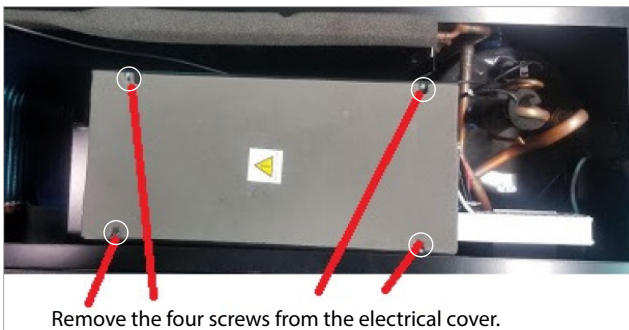


Figure 19. Install Automation Controller Cable



Remove the four screws from the electrical cover.

Figure 17. Screw Removal for Electrical Cover





Figure 20. Insert Cable to PC Board (On/Off Models Only)

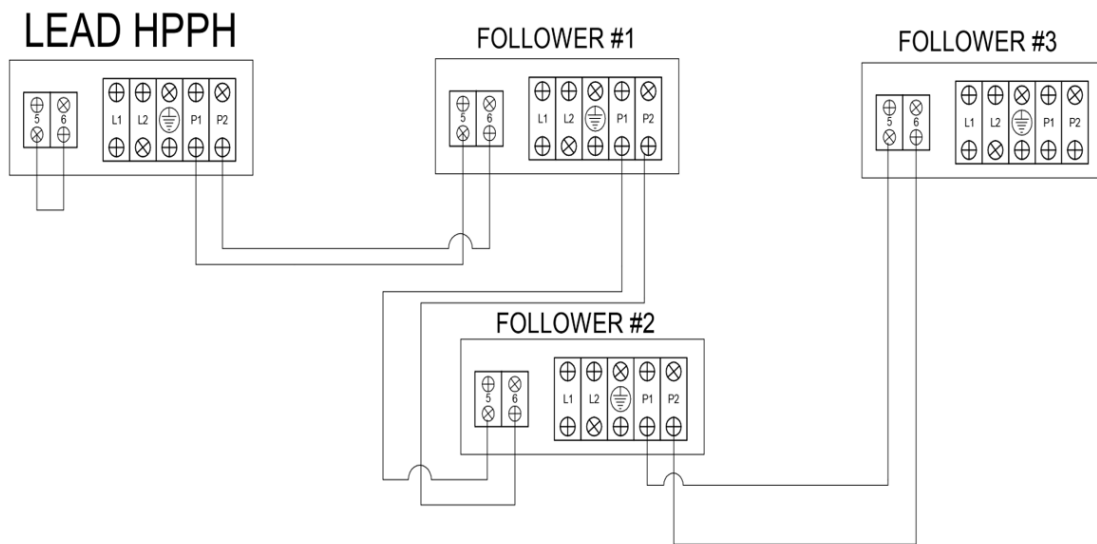


Figure 21. Lead HPPH Wiring (Inverter Model Only)

## Basic Lead Multiple HPPH Operation

FOR THE OPERATION OF RUNNING MULTIPLE HPPH with a LEAD HPPH to control the follower HPPH.

The program on the LEAD HPPH & Followers needs to be change for the operation of the single HPPH to control the followers HPPH.

1. Press and **HOLD** (3-seconds) the **LOCK** pad to light up the screen.
2. Press **FAN** and the **+** pad together for 5-seconds.
3. The **CODE "PO"** with the value of "0" will be evident on the LCD display. (**NOTE:** these steps must be performed in 3-seconds, or a restart in the programing is required).
4. Press the **FAN** pad to enter the modification code - press the **+** pad to change the code to "1". (The value of the code will be flashing. The modification code 1 – water temperature control through terminals P1 & P2). See **Figure 21**.
5. Press the **FAN** pad to confirm and quit the modification code.
6. Press the **POWER** pad to exit.
7. The **FOLLOWERS HPPH** needs to have the water setpoint adjusted to 104°F (40°C):
  - a. Press and **HOLD** (3-seconds) the **LOCK** pad to light up the screen.
  - b. With the screen "unlocked" press the **+** pad to raise the setpoint to 104°F (40°C).

## 8. TROUBLESHOOTING

If these solutions, below, do not work, contact your dealer. Do not attempt to repair the heater yourself.

Failure	Reason	Solution
Swimming Pool Heat Pump Does Not Run	Main power off	Wait for the power to be restored
	Power switch is off	Turn on switch
	Fuse burnt	Replace fuse
	Circuit breaker tripped	Turn circuit breaker back on
Heat Pump Runs but Does Not Heat	Air inlet blocked	Remove obstructions
	Air outlet blocked	Remove obstructions
	3-minute protection	Please wait more than 3 minutes for warming to start
	Temp set too low	Set temperature setting

Table G. Common Faults

### Fault Codes

Failure Code	Failure Description
E1	High pressure protection
E2	Low pressure protection
E3	Low water pressure protection
E4	Single phase unit: loose wire terminal at PROT2 on the PC board Three phase unit: 3 phase sequence protection
P1	Pool water temp sensor failure
P2	Exhaust temp sensor failure (cooling coil temp for heat and cooling models only)
P3	Heating coil pipe temp sensor failure
P4	Gas return temp sensor failure
P5	Air temp sensor failure
E6	Compressor exhaust overload protection 212°F (100°C) (Heating models only)
P7	When air temp <32°F (0°C), the unit is in auto-stop protection mode, or anti-freeze mode (not a failure)
HEAT flashing	Defrosting (not a failure)

Table H. Fault Codes - On/Off Models Only

No.	Display	Non-Failure Description
1	E3	No water protection
2	E5	Power supply exceeds operation range
3	E6	Excessive temp difference between inlet and outlet water (insufficient water flow protection)
4	Eb	Ambient temperature too high or too low protection
5	Ed	Anti-freezing reminder
No.	Display	Failure Description
1	E1	High pressure protection
2	E2	Low pressure protection
3	E4	3 phase sequence protection (three phase only)
4	E7	Water outlet temp too high or too low protection
5	E8	High exhaust temp protection
6	EA	Evaporator overheat protection (only at cooling mode)
7	P0	Controller communication failure
8	P1	Water inlet temp sensor failure
9	P2	Water outlet temp sensor failure
10	P3	Gas exhaust temp sensor failure
11	P4	Evaporator coil pipe temp sensor failure
12	P5	Gas return temp sensor failure
13	P6	Cooling coil pipe temp sensor failure
14	P7	Ambient temp sensor failure
15	P8	Cooling plate sensor failure
16	P9	Current sensor failure
17	PA	Restart memory failure
18	F1	Compressor drive module failure
19	F2	PFC module failure
20	F3	Compressor start failure
21	F4	Compressor running failure
22	F5	Inverter board over current protection
23	F6	Inverter board overheat protection
24	F7	Current protection
25	F8	Cooling plate overheat protection
26	F9	Fan motor failure
27	Fb	Power filter plate no-power protection
28	FA	PFC module over current protection

Table I. Fault Codes - Inverter Models Only

# 9. TECHNICAL PARAMETERS

**NOTE:** Technical parameters as published in AHRI directory.

## Inverter Models Only

Parameter	Crosswind Inverter Models			
	30-I	40-I	50-I	65-I
Performance Condition: Air 80°F (27°C), Water 80°F (27°C), Humidity 80%				
Heating capacity (BTUH)	27,850	33,500	44,750	61,000
Heating capacity (BTUH) in silent mode	24,000	29,600	35,000	42,000
COP	5.8	5.6	6.1	5.74
Performance Condition: Air 80°F (27°C), Water 80°F (27°C), Humidity 63%				
Heating capacity (BTUH)	26,850	31,700	42,500	57,650
Heating capacity (BTUH) in silent mode	23,500	28,600	33,300	40,000
COP	5.55	5.50	5.8	5.3
Performance Condition: Air 50°F (10°C), Water 80°F (27°C), Humidity 63%				
Heating capacity (BTUH)	16,590	17,750	21,000	24,500
Heating capacity (BTUH) in silent mode	15,500	17,750	21,000	24,500
COP	4.0	4.0	4.16	4.10
Rated input power (kW)	1.15	1.26	1.28	1.55
Rated input current (A)	5.00	5.5	5.6	6.8
Power supply	208-230VAC/ 1 Ph/60Hz			
Refrigerant (R410A) in oz.	28.2	31.7	38.8	45.9
Water flow GPM (L/min)	13.2~17.7 (50~67)	17.7~26.4 (67~100)	21.9~30.6 (83~116)	28.5~37.5 (108~142)
Sound pressure 39" (3 m) dBA	33.4~45.2	33.6~45.5	34.9~45.0	38.2~49.3
Heat exchanger	Titanium in PVC			
Casing	ABS casing			
Air discharge	Horizontal			
Water pipe in-out Spec	1-1/2" PVC (50 mm)			
Net Dimension	See Table C on page 10.			
Net Weight				

\* The values indicated are valid under ideal conditions: Pool is well covered, filtration system running at least 15 hours a day.

**Table J. Technical Parameters - Inverter Models Only**

**APPROVED**

**On/Off Models Only**

Parameter	Crosswind On/Off Models		
	40-O	50-O	65-O
Performance Condition: Air 80°F (27°C)/ Water 80°F (27°C)/ Humidity 80%			
Heating capacity (BTU)	35,900	46,500	55,100
C.O.P	5.21	5.40	5.71
Performance Condition: Air 80°F (27°C)/ Water 80°F (27°C)/ Humidity 63%			
Heating capacity (BTU)	34,100	44,100	51,800
C.O.P	5.03	5.07	5.29
Performance Condition: Air 50°F (10°C)/ Water 80°F (27°C)/ Humidity 63%			
Heating capacity (BTU)	20,500	26,000	33,800
C.O.P	3.31	3.17	3.45
Rated input power (kW) at air 80°F (27°C)	1.65	2.3	2.6
Rated input current (A) at air 80°F (27°C)	7.7	10.8	11.8
Power supply	208-230V/1Ph/60Hz		
Minimum circuit ampacity (A)	12	16	17.2
Water flow GPM (L/min)	17.7~26.4 (67~100)	21.9~30.6 (83~116)	28.5~37.5 (108~142)
Sound pressure 3m dB(A)	41.50	41.70	42.40
Heat exchanger	Titanium in PVC		
Casing	ABS casing		
Air discharge	Horizontal		
Water pipe in-out Spec	1-1/2" PVC (50 mm)		
Net Dimension	<b>See Table C on page 10.</b>		
Net Weight			

Related parameters are subject to adjustment periodically for technical improvement without further notice. For details please refer to nameplate.

**Table K. Technical Parameters - On/Off Models Only**

## 10. REPLACEMENT PARTS

**NOTE:** To supply you with the correct part, it is important that you supply the heater model number, serial number and type of gas when applicable.

**MANUFACTURER:**

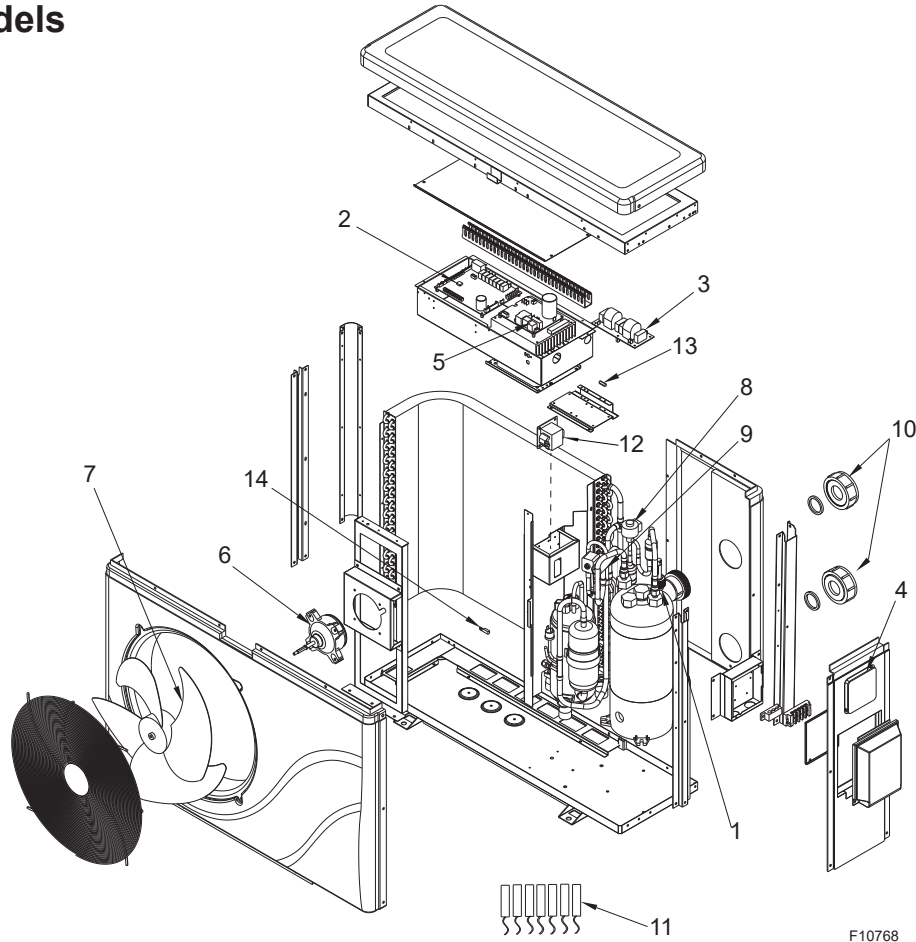
**Raypak, Inc.  
2151 Eastman Avenue  
Oxnard, CA 93030**

**1-800-260-2758**

Any part returned for replacement under standard company warranties must be properly tagged with a return parts tag, completely filled in with the heater serial number, model number, etc., and shipped to the Company freight prepaid. If determined defective by the Company and within warranty, a like part or equal substitution will be returned, freight collect. Credit will not be issued.

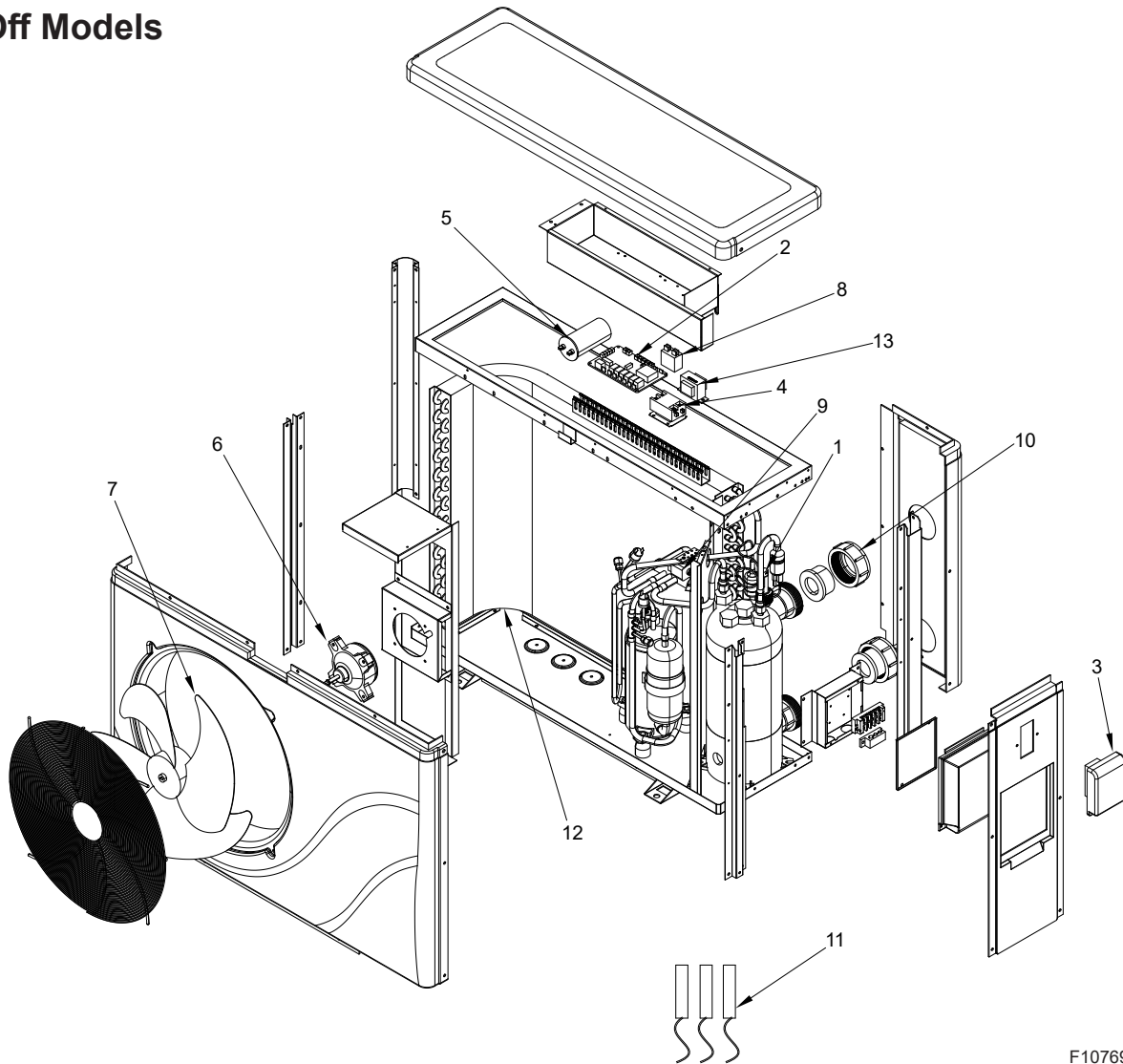
# 11. ILLUSTRATED PARTS LIST

## Inverter Models



Item	Description	Crosswind-30-1	Crosswind-40-1	Crosswind-50-1	Crosswind-65-1	Instructions P/N
1	Water flow switch	018146F	018146F	018146F	018146F	241808
2	PC board	018147F	018204F	018179F	018180F	241809
3	Power filter plate	018148F	018148F	018148F	018148F	241810
4	Touch controller	018149F	018149F	018149F	018149F	241811
5	Inverter board	018351F	018351F	018352F	018150F	241812
6	Fan motor	018151F	018151F	018151F	018151F	241813
7	Fan blade	018152F	018152F	018152F	018152F	241814
8	Electronic expansion valve coil	018153F	018153F	018153F	018153F	241815
9	4-way valve coil	018154F	018154F	018154F	018161F	241816
10	Water unions and O-rings	018155F	018155F	018155F	018155F	241817
11	Full Set of Sensors	018157F	018157F	018157F	018157F	241819
12	Precision Inductor	018158F	018158F	018158F	018162F	241820
13	Fuse	018159F	018159F	018163F	018164F	241821
14	Drain kit	018160F	018160F	018160F	018160F	241822

On/Off Models



F10769

Item	Description	Crosswind-40-0	Crosswind-50-0	Crosswind-65-0	Instructions P/N
1	Water flow switch	018146F	018146F	018146F	241808
2	PC Board	018165F	018165F	018165F	241809
3	LED Controller	018166F	018166F	018166F	241823
4	Contactors	018167F	018167F	018167F	241824
5	Compressor capacitor	018168F	018350F	018350F	241825
6	Fan motor	018169F	018169F	018177F	241813
7	Fan blade	018152F	018152F	018170F	241814
8	Fan motor capacitor	018171F	018171F	018172F	241826
9	4-way valve	018173F	018174F	018174F	241816
10	Water Unions and O-rings	018155F	018155F	018155F	241817
11	Full set of Sensors	018176F	018176F	018176F	241819
12	Drain Kit	018160F	018160F	018160F	241822
13	Transformer	018178F	018178F	018178F	241828

## 12. WARRANTY

### LIMITED WARRANTY (Inverter Models Only)

#### CROSSWIND SIDE-DISCHARGE HEAT PUMP POOL HEATERS (All Models) United States (48 Contiguous States and Hawaii)

##### SCOPE OF WARRANTY

Raypak, Inc. ("Raypak") warrants to the original owner that the Crosswind Side-Discharge Heat Pump Pool Heater sold with this limited warranty certificate (the "Heater"), when installed in any of the contiguous 48 states of the United States of America or Hawaii with a pool or spa by a properly licensed installer, will be free from defects in materials and workmanship under normal use and service for the Applicable Warranty Period. In accordance with the terms of this Limited Warranty, Raypak will, at its option, repair or furnish a replacement for any defective part of the Heater that fails in normal use and service during the Applicable Warranty Period. The repair or replacement will be warranted for only the unexpired portion of the original Applicable Warranty Period.

##### EFFECTIVE DATE

The Effective Date of this Limited Warranty is the date of original installation if properly documented. If you are not able to provide documentary proof of the date of original installation, the Effective Date will be thirty (30) days after date of purchase, not to exceed one (1) year after date of manufacture. All Applicable Warranty Periods specified in this Limited Warranty are measured from the Effective Date.

##### APPLICABLE WARRANTY PERIOD – UNREGISTERED

If the Heater is installed with a pool or spa, the Applicable Warranty Period is ninety (90) days from the Effective Date, parts and labor, for the Heater and component parts.

##### EXTENDED WARRANTY PERIOD – SERVICE PROFESSIONAL/BUILDER

If the Heater is installed by a properly licensed installer in a pool or spa in a single family residential dwelling (with the installation receipt attached to the registration) and registered with Raypak ([www.raypak.com](http://www.raypak.com)) within ninety (90) days of the Effective Date, then the Applicable Warranty Periods are one (1) year parts and labor, and two (2) years for parts only, with no labor coverage in the second year. Notwithstanding the foregoing, the titanium tube component of the titanium heat exchanger is warranted for seven (7) years from the Effective Date, with no labor coverage in the second through seventh years. If the Heater is installed anywhere other than a single family residential dwelling, then the Applicable Warranty Period for the Heater and its parts is limited to one (1) year, parts and labor.

##### LABOR AND SHIPPING COSTS

This Limited Warranty covers the reasonable cost of labor for repairs or replacements covered by this Limited Warranty, provided that said repairs or replacements are performed by a Raypak designated service provider during the Applicable Warranty Period and Raypak has pre-authorized said repair or replacement. This Limited Warranty does **NOT** cover refrigerant or other expendable materials. This Limited Warranty does **NOT** cover any travel time or other labor costs. Furthermore, unless applicable state law provides otherwise, this Limited Warranty does **NOT** cover any shipping costs to and from Raypak's designated service provider or to or from the installation site. All of the foregoing costs and expenses are your responsibility, unless applicable state law provides otherwise.

##### WARRANTY EXCLUSIONS

This Limited Warranty does **NOT** apply:

1. if the Heater has been moved from its original place of installation, or if the original owner no longer owns the property where the original installation was made;
2. if the Heater is not properly installed with a pool or spa by a qualified licensed installer in accordance with applicable local codes and ordinances, good trade practices, and the manufacturer's installation instructions;
3. if the rating plate(s) or serial number(s) are altered or removed;
4. if the Heater is modified in any way, or if non-factory authorized accessories or other components are used in conjunction with the product;

**APPROVED**

5. to damage, malfunctions or failures resulting from failure to properly install, operate or maintain the Heater in accordance with the manufacturer's instructions;
6. to damage, malfunctions or failures resulting from abuse, act of nature, accident, fire, flood, freeze, lightning or the like;
7. to damage, malfunctions or failures resulting from connected system control devices, including improperly installed salt chlorine generators;
8. to performance problems caused by improper sizing of the Heater or electric service voltage, wiring or fusing;
9. to damage, malfunctions or failures resulting from any alteration, including the use of any attachment, including without limitation any energy saving device, not authorized by the manufacturer;
10. to damage, malfunctions or failures resulting from misuse or neglect, including but not limited to, freeze-ups, operating the Heater with the cabinet door off, having flow restrictions or obstructions between the Heater outlet and the pool/spa.

**HOW TO MAKE A WARRANTY CLAIM (For Inverter Models Only)**

You should immediately notify Raypak at 800-260-2758, supplying model number, serial number, date of original installation and a description of the problem. **Proper authorization MUST be obtained PRIOR to any repairs for the Limited Warranty to apply. This Limited Warranty is VOID if the product is repaired or altered in any way by ANY persons or agencies other than those authorized by Raypak.** Raypak reserves the right at all times to inspect, or require the return of, the defective Heater or component part and to verify warranty coverage at its factory. **Warranty service CANNOT be initiated until the status of the warranty coverage has been established.**

**EXCLUSIVE WARRANTY - LIMITATION OF LIABILITY**

**THE LIMITED WARRANTY IS THE ONLY WARRANTY PROVIDED BY RAYPAK IN CONNECTION WITH THE HEATER AND ITS COMPONENT PARTS. NO ONE IS AUTHORIZED TO MAKE ANY OTHER WARRANTIES ON RAYPAK'S BEHALF. ANY IMPLIED WARRANTIES, INCLUDING MERCHANTABILITY OR FITNESS FOR A PARTICULAR PURPOSE, SHALL NOT EXTEND BEYOND THE APPLICABLE WARRANTY PERIODS SPECIFIED IN THIS LIMITED WARRANTY.**

**RAYPAK'S SOLE LIABILITY WITH RESPECT TO ANY DEFECT SHALL BE AS SET FORTH IN THIS LIMITED WARRANTY. IT IS AGREED THAT RAYPAK SHALL HAVE NO LIABILITY WHETHER UNDER THIS LIMITED WARRANTY OR IN CONTRACT, TORT OR NEGLIGENCE OR OTHERWISE FOR CLAIMS FOR SPECIAL, INCIDENTAL OR CONSEQUENTIAL DAMAGES (INCLUDING NO LIABILITY FOR DAMAGE FROM WATER LEAKAGE), ALL OF WHICH ARE EXPRESSLY EXCLUDED, NOTWITHSTANDING ANY FAILURE OF ESSENTIAL PURPOSE OF ANY LIMITED REMEDY. SOME STATES DO NOT ALLOW LIMITATIONS ON HOW LONG AN IMPLIED WARRANTY LASTS, OR FOR THE EXCLUSION OF INCIDENTAL OR CONSEQUENTIAL DAMAGES, SO THE ABOVE LIMITATION OR EXCLUSION MAY NOT APPLY TO YOU. THIS LIMITED WARRANTY GIVES YOU SPECIFIC LEGAL RIGHTS, AND YOU MAY ALSO HAVE OTHER RIGHTS WHICH VARY FROM STATE TO STATE.**

We suggest you immediately record the model, serial number, and date of original installation and retain this Limited Warranty Certificate in the event warranty service is needed.

**DO NOT RETURN THIS DOCUMENT TO RAYPAK. KEEP IT WITH YOUR POOL HEATER OR BUSINESS RECORDS.**

**Register your product at [www.raypak.com/warranty](http://www.raypak.com/warranty)**





APPROVED

# MANUEL D'INSTALLATION ET D'UTILISATION



## Thermopompe chauffe-piscine Crosswind à évacuation latérale d'air

Modèles à vitesse variable:  
CROSSWIND-30-I à -65-I



Modèles à une vitesse:  
CROSSWIND-40-O à -65-O  
(Canada seulement)



**POUR VOTRE SÉCURITÉ:** Ne pas entreposer ni utiliser de l'essence ou d'autres liquides ou vapeurs inflammables à proximité de cet appareil ou de tout autre appareil. Le non-respect de cette directive peut causer un incendie ou une explosion.

**NOTE:** Les présentes instructions sont destinées à des personnes qualifiées, spécialement formées et expérimentées dans l'installation et l'entretien de ce type d'équipement et de ses composantes connexes. Dans certaines régions, les techniciens d'entretien pour ce type d'équipement doivent détenir une licence. Les personnes non qualifiées ne doivent pas tenter d'installer, de réparer ou d'entretenir cet équipement.

Ce manuel doit être maintenu en état lisible et rangé à proximité du chauffe-piscine à thermopompe ou dans un lieu sûr pour une utilisation ultérieure.

**Raypak**<sup>®</sup>  
A Rheem<sup>®</sup> Company

P/N 241827 Rev. 3

UNCONTROLLED DOCUMENT IF PRINTED

## ATTENTION: C'est le meilleur moment pour enregistrer votre appareil, c'est rapide!

Pendant que votre appareil est en train d'être installé par un installateur professionnel et licencié, ou immédiatement après, profitez de cette occasion pour l'enregistrer auprès du fabricant, c'est rapide! Avec les informations requises en main, il ne vous faudra que quelques minutes pour enregistrer votre nouvelle thermopompe; c'est le meilleur moyen pour obtenir un soutien technique efficace pendant la période de garantie.

Voir **Figure 1** au bas de cette page, qui illustre l'emplacement de la plaque signalétique sur laquelle on retrouve le n° de modèle et le n° de série. Une fois ces renseignements bien notés, assurez-vous d'avoir les renseignements suivants à portée de main:

- Nom, n° de téléphone et courriel du propriétaire.
- Adresse physique d'installation de l'appareil; inclure le nom du groupe de logements, si applicable.
- Toute instruction d'accès supplémentaire: quartier sécurisé, accès au bâtiment verrouillé, chien de garde, etc.
- Date d'installation du nouvel appareil.
- Nom et téléphone du technicien qualifié et de l'entité licenciée qui a procédé à l'installation,

Une fois tous ces renseignements rassemblés, il suffit de nous appeler pour enregistrer votre thermopompe:

1-800-260-2758 L-V 8h30-16h30 (h. de l'Est)

ou remplir le formulaire en ligne:

<http://warranty.raypak.com>

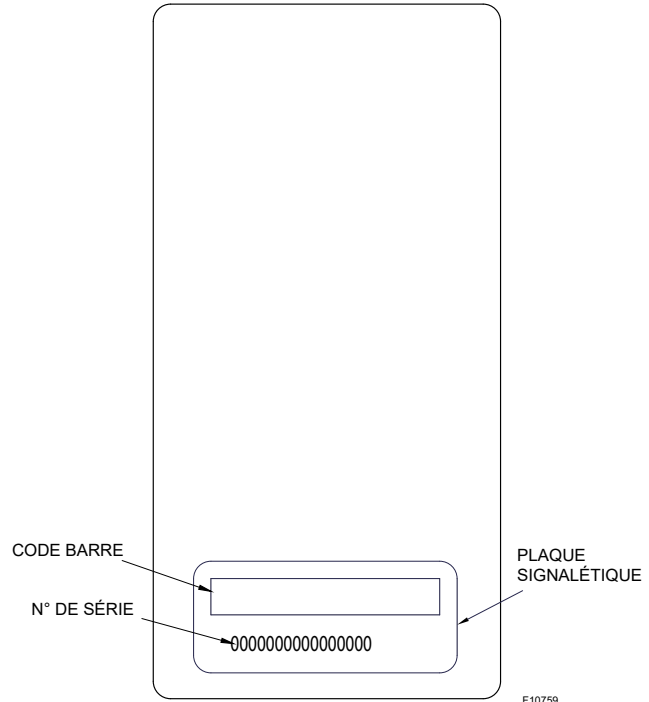
Nous vous fournirons un numéro de confirmation d'enregistrement de garantie que vous devrez noter et conserver dans vos dossiers, avec votre manuel

d'installation et d'utilisation, le libellé de la garantie (fourni avec votre manuel) et les renseignements ci-dessus.

Profitez de l'occasion pour passer en revue le manuel et le libellé de garantie, afin de vous familiariser avec le bon fonctionnement de votre nouvel équipement ainsi que sur les exclusions de garantie. À tout moment au cours de la durée de vie de votre appareil, n'hésitez pas à nous appeler au numéro indiqué au bas de la dernière page pour nous poser toute question relative à son fonctionnement, son entretien ou à la garantie.

Merci de nous avoir choisis pour satisfaire vos besoins de chauffage de piscine!

### N° d'enregistrement de la garantie:



L'emplacement de cette étiquette est précisé à la **Figure 8**

**Figure 1. Modèle et Numéro de série**

### La révision 3 comprend les changements suivants:

IPL, article 5 (carte d'onduleur), modèles d'onduleur : numéros de kit mis à jour en 018351F pour les tailles 30-1 et 40-1 ; 018352F pour la taille 50-1 ; 018150F pour la taille 65-1. IPL, article 5 (condensateur de compresseur), modèles On/Off : numéros de kit mis à jour vers 018350F pour les tailles 50-0 et 65-0..

APPROVED  
**TABLE DES MATIÈRES**

<b>1. AVERTISSEMENTS .....</b>	<b>4</b>	<b>6. COMMANDES .....</b>	<b>20</b>
Portez une attention particulière à ces termes .....	4	Modèles à vitesse variable seulement .....	20
Précautions générales .....	5	Modèles à une vitesse .....	21
<b>2. COMPOSITION CHIMIQUE DE L'EAU .....</b>	<b>5</b>	Utilisation du module de commande .....	21
<b>3. AVANT L'INSTALLATION.....</b>	<b>6</b>	<b>7. INSTRUCTIONS D'UTILISATION.....</b>	<b>22</b>
Considérations d'installation .....	6	Procédure de mise en marche .....	22
Chlorateurs et autres dispositifs d'alimentation automatique .....	6	Avant la mise en marche.....	22
Alimentation électrique.....	7	Mise en marche.....	22
Composantes, vitesse variable .....	9	Après la mise en marche .....	22
Composantes, une vitesse.....	9	Entretien.....	23
Dimensions et poids.....	10	Utilisation par temps froid.....	23
Alimentation en eau .....	11	Test d'installation.....	23
<b>4. ALIMENTATION ÉLECTRIQUE.....</b>	<b>13</b>	Contournement de la minuterie.....	23
Câblage.....	13	Thermopompe Crosswind une vitesse.....	24
Raccordements électriques.....	13	Système multi-thermopompe .....	25
Commande automatique.....	13	<b>8. DÉPANNAGE .....</b>	<b>26</b>
<b>5. SCHÉMAS DE CÂBLAGE.....</b>	<b>14</b>	Codes d'erreur .....	26
Crosswind-30-I, 50-I.....	14	<b>9. DONNÉES TECHNIQUES .....</b>	<b>27</b>
Crosswind-40-I.....	15	<b>10. DONNÉES TECHNIQUES .....</b>	<b>28</b>
Crosswind-65-I.....	16	<b>11. LISTE DE PIÈCES ILLUSTRÉE .....</b>	<b>29</b>
Crosswind-40-O .....	17	Modèles à vitesse variable.....	29
Crosswind-50-O .....	18	Modèles à une vitesse .....	30
Crosswind-65-O .....	19	<b>12. GARANTIE .....</b>	<b>31</b>

# 1. AVERTISSEMENTS

## Portez une attention particulière aux termes suivants

<b>⚠ DANGER</b>	Signale la présence de dangers immédiats qui causeront d'importants dommages matériels, de graves blessures ou la mort s'ils sont ignorés.
<b>⚠ AVERTISSEMENT</b>	Décrit des risques ou des pratiques non sécuritaires qui causeront d'importants dommages matériels, de graves blessures ou la mort s'ils sont ignorés.
<b>⚠ ATTENTION</b>	Décrit des risques ou des pratiques non sécuritaires qui causeront des dommages matériels, des blessures mineures ou endommageront le produit s'ils sont ignorés.
<b>ATTENTION</b>	ATTENTION utilisée sans le symbole d'alerte décrit une condition potentiellement dangereuse qui pourrait causer des dommages matériels, des blessures mineures ou endommager le produit si elle est ignorée.
<b>NOTE</b>	Décrit d'importantes instructions spéciales relatives à l'installation, l'utilisation ou l'entretien, mais qui ne risquent pas de causer de blessures.

**⚠ ATTENTION:** de l'eau chauffée constitue une source de danger. La Commission américaine sur la sécurité des produits de consommation (CPSC) émet les directives suivantes:

1. La température de l'eau d'un spa ne doit jamais dépasser 40°C (104°F). Une température de 38°C (100 °F) est considérée sécuritaire pour un adulte en bonne santé. Portez une attention particulière aux jeunes enfants.
2. La consommation de boissons alcoolisées avant ou pendant l'utilisation d'un spa peut entraîner de la somnolence qui pourrait causer une perte de conscience et par la suite une noyade.
3. Avis aux femmes enceintes! L'immersion dans de l'eau chauffée à plus de 39°C (102°F) peut causer des lésions foetales pendant les trois premiers mois de la grossesse, comme des dommages cérébraux ou des difformités physiques.
4. Avant d'entrer dans un spa, chaque utilisateur doit vérifier la température de l'eau à l'aide d'un thermomètre précis; la température indiquée par le thermostat intégré d'un spa peut varier de jusqu'à 2,2°C (4°F) de la valeur réelle.
5. Les personnes ayant les antécédents médicaux suivants: maladies cardiaques, problèmes circulatoires, diabète ou haute tension artérielle doivent obtenir l'avis d'un médecin avant d'utiliser une piscine ou un spa.
6. Les personnes qui consomment des médicaments qui induisent la somnolence, comme des tranquillisants, antihistaminiques ou anticoagulants, ne devraient pas se baigner dans un spa.

**⚠ ATTENTION:** un déséquilibre de la composition chimique de l'eau risque d'endommager la thermopompe chauffe-piscine. **N'AJOUTEZ PAS** de produits chimiques pour piscine ou spa dans l'écumoire ou tout autre dispositif (ex.: chlorateur) se trouvant directement en amont de la thermopompe. Cela endommagera la thermopompe et de tels dommages ne sont pas couverts par la garantie. Suivez **TOUJOURS** les instructions du fabricant relativement à l'ajout de produits chimiques à votre piscine.

**⚠ ATTENTION:** ces thermopompes chauffe-piscine sont chargées de réfrigérant R-410A. Assurez-vous que tous les travaux d'entretien sont effectués avec des jauges et de l'équipement appropriés pour le R-410A.

**⚠ AVERTISSEMENT:** cette thermopompe est une machine électromécanique qui incorpore un gaz frigorigène pressurisé dans une boucle fermée. **SEUL** du personnel formé et qualifié est autorisé à installer ou à entretenir cet équipement. Toute tentative d'installation ou d'entretien de l'appareil par du personnel non formé ou qualifié pourrait entraîner de graves blessures ou la mort.

**ATTENTION:** ne placez pas les mains devant le raccord de sortie d'eau de la thermopompe et ne retirez jamais la grille de protection du ventilateur.



## Précautions générales

**APPROVED** d'effectuer des travaux d'entretien.

### Attention

1. Suivez les instructions pour régler la température de l'eau à une valeur confortable et éviter la surchauffe.
2. N'empilez rien à proximité de la thermopompe qui pourrait bloquer les surfaces d'apport ou d'évacuation d'air: cela réduit l'efficacité de la thermopompe et pourrait entraîner son arrêt. Pour plus d'informations sur les distances de dégagement, voir **Figure 2**.
3. Ne placez pas les mains devant le raccord de sortie d'eau de la thermopompe et ne retirez jamais la grille de protection du ventilateur.
4. En cas de condition anormale (bruit, odeur, fumée, fuite électrique), éteignez immédiatement la thermopompe et joignez votre revendeur local. Ne tentez pas d'effectuer la réparation vous-même.
5. N'utilisez pas ou n'entreposez pas de gaz ou de liquide combustible à proximité de la thermopompe, afin de prévenir le déclenchement d'un incendie.
6. La longueur de tuyauterie entre la piscine et la thermopompe doit être inférieure à 9,1 m (30 pi), car cela risque de réduire l'efficacité de la thermopompe.

### Sécurité

1. Assurez-vous que le sectionneur du circuit d'alimentation est hors de portée des enfants.
2. Si une panne de courant survient pendant que la thermopompe fonctionne, la thermopompe redémarrera automatiquement lors du rétablissement de l'alimentation. Coupez l'alimentation électrique lors d'une panne de courant et réglez à nouveau la température de consigne lors du rétablissement du courant.
3. Coupez l'alimentation du circuit au panneau principal lorsqu'il y a des éclairs ou lors d'une tempête, afin de prévenir les dommages causés par la foudre.
4. Si la thermopompe doit être mise à l'arrêt pendant une longue période, coupez l'alimentation électrique et videz-la complètement d'eau en ouvrant le raccord-union de la conduite d'alimentation en eau.

### Avertissement spécial

Lisez attentivement ce manuel d'instructions et procédez exactement comme décrit avant de mettre en marche la thermopompe, afin d'éviter de l'endommager ou de causer des blessures.

Ce produit est uniquement conçu pour le chauffage d'eau de piscine ou de spa et ne peut être utilisé pour d'autres applications.

Les raccords d'entrée et de sortie d'eau ne sont pas conçus pour supporter le poids de la tuyauterie externe. Procurez un support suffisant à la tuyauterie externe.

Coupez l'alimentation électrique avant d'ouvrir le boîtier et

1. La thermopompe doit être installée par un électricien qualifié.
2. Réglez la température de consigne dans la plage de valeurs recommandées pour maximiser le confort.
3. Les ouvertures d'apport et d'évacuation d'air doivent être libres de toute obstruction.
4. Cette thermopompe est équipée d'une mémoire de paramètres persistante en cas de coupure de l'alimentation électrique.
5. Si la température ambiante est égale ou inférieure à 0°C (32°F), coupez l'alimentation du circuit au panneau principal et drainez complètement l'échangeur de chaleur.
6. N'insérez jamais votre main ou tout autre objet dans l'ouverture d'apport ou d'évacuation d'air de la thermopompe.
7. Si vous voyez, entendez, sentez ou ressentez quelque chose d'inhabituel (bruit anormal, odeur, fumée, fuite électrique), coupez l'alimentation du circuit au panneau principal et joignez votre revendeur local.
8. Ne tentez pas d'effectuer la réparation vous-même.

## 2. COMPOSITION CHIMIQUE DE L'EAU

**NOTE:** l'eau corrosive cause des dommages qui ne sont pas couverts par la garantie.

Un déséquilibre chimique peut gravement endommager la thermopompe et tout équipement qui y est raccordé. Maintenez les paramètres chimiques comme décrit au **Table A**. Si les teneurs en minéraux et en solides dissous dans l'eau sont supérieures aux valeurs recommandées, il se formera du tartre dans les tubes de l'échangeur de chaleur, cela réduira l'efficacité de la thermopompe et l'endommagera. Si le pH de l'eau est inférieur à 7,2, cela entraînera la corrosion de l'échangeur de chaleur et endommagera gravement la thermopompe. **Les dommages à l'échangeur de chaleur causés par de l'eau corrosive ne sont pas couverts par la garantie.**

Pour votre santé et la protection de l'équipement de votre piscine, il est essentiel que votre eau soit chimiquement équilibrée. Voici les valeurs correspondant à une eau équilibrée.

**ATTENTION:** la concentration de chlore libre ne peut être supérieure à 5 ppm, car cela peut causer des dommages non couverts par la garantie.

- L'administration d'un traitement-choc occasionnel à l'eau de la piscine ou du spa ne devrait pas endommager la thermopompe lorsque la composition chimique de l'eau est équilibrée.
- Les dispositifs doseurs automatiques et les

chlorateurs au sel sont habituellement plus efficaces avec de l'eau chauffée. Par conséquent, assurez-vous de bien réguler la chloration, car une surchloration pourrait endommager la thermopompe.

- Veuillez obtenir des conseils supplémentaires auprès du fabricant de votre piscine ou spa, d'un détaillant autorisé de piscines ou du fabricant des produits chimiques pour connaître les valeurs d'équilibre de votre eau.

**APPROUVÉ** dans l'écumoire, car cela peut entraîner la formation d'une concentration élevée de produits chimiques lorsque la pompe ne fonctionne pas (ex.: la nuit).

Le chlorateur doit se déverser en aval de la thermopompe et doit être muni d'un dispositif anti-siphonnage, afin de prévenir le refoulement de produits chimiques vers la thermopompe lors de l'arrêt de la pompe.

Voir les diagrammes de plomberie, **Figure 9** et suivantes.

**NOTE:** la présence d'une concentration élevée de produits chimiques, notamment causée par le dérèglement d'un distributeur automatique, entraînera une corrosion rapide de l'échangeur de chaleur. Ces dommages ne sont pas couverts par la garantie.

## Chlorateurs et autres dispositifs d'alimentation automatique

Tous les produits chimiques doivent être dilués dans la piscine ou le spa avant d'être recirculés dans la thermopompe. Ne versez jamais de produits chimiques

Valeur recommandée	Piscine fibre verre	Spa fibre de verre	Autres pisc./spas
Température	20-31°C (68-88°F)	31-40°C (89-104°F)	20-40°C (68-104°F)
pH	7,3-7,4	7,3-7,4	7,6-7,8
Alcalinité totale (ppm)	120-150	120-150	80-120
Dureté calcaire (ppm)	200-300	150-200	200-400
Sel (ppm)	4500 max.	4500 max.	4500 max.
Chlore libre (ppm)*	2-3	2-3	2-3
Matières tot. dissoutes (ppm)	3000 max.**	3000 max.**	3000 max.**

\*La concentration de chlore libre NE DOIT PAS EXCÉDER 5 ppm!

\*\*Dans les piscines chlorées au sel, la TDS peut atteindre 6000 ppm.

Table A. Composition chimique de l'eau

## 3. AVANT L'INSTALLATION

**⚠ AVERTISSEMENT:** cette thermopompe est une machine électromécanique qui incorpore un gaz frigorigène pressurisé dans une boucle fermée. SEUL du personnel formé et qualifié est autorisé à installer ou à entretenir cet équipement. Toute tentative d'installation ou d'entretien de l'appareil par du personnel non formé ou qualifié pourrait entraîner de graves blessures ou la mort.

Ce manuel contient d'importants renseignements relatifs à l'utilisation, l'entretien et le dépannage de votre nouvelle thermopompe. Cet appareil doit être correctement installé, entretenu et utilisé pour qu'il fournisse un rendement optimal.

Cette thermopompe est un équipement extrêmement efficace et économique conçu pour chauffer l'eau d'une piscine. Sa conception et son fonctionnement sont semblables à ceux d'un système de climatisation résidentiel courant. Ainsi, il comporte moteur-compresseur hermétique alimentant un cycle de réfrigération qui extrait la chaleur de l'air ambiant et la transfère à l'eau de la piscine ou du spa.

La puissance d'une thermopompe chauffe-piscine, exprimée en BTU/h, est naturellement inférieure à celle d'un chauffe-piscine au gaz ou au mazout. Ainsi, elle devra fonctionner pendant un plus grand nombre d'heures

par jour pour atteindre la température de consigne. En certaines circonstances, elle pourrait même fonctionner jusqu'à 24 heures par jour et elle parfaitement conçue pour soutenir ce rythme. Même lorsqu'elle fonctionne pendant de longues heures, elle chauffe la piscine à moindre coût que les appareils de chauffage à combustible fossile.

L'évaporation est la principale cause de perte de chaleur d'une piscine; c'est pourquoi il est suggéré de garder la piscine couverte entre deux utilisations, ce qui réduira considérablement les coûts de chauffage. Même par temps chaud en été, Raypak recommande couvrir la piscine la nuit.

## INSTALLATION

### Considérations d'installation

Portez une attention particulière au positionnement de la thermopompe, afin de minimiser les coûts d'installation et afin de maximiser son efficacité de fonctionnement et l'accès d'entretien.

Pour éviter d'entraver l'apport d'air et pour assurer un accès d'entretien, positionnez l'appareil comme illustré à la **Figure 2**.

**⚠ AVERTISSEMENT:** cet appareil est uniquement conçu pour une installation extérieure. Il n'est pas certifié pour l'installation intérieure. NE PAS l'installer dans une pièce fermée, comme dans une remise, un garage, sous un porche ou sous une galerie.

Afin de minimiser la longueur des conduites d'eau, positionnez l'appareil aussi près que possible de la pompe et du filtre de la piscine.

De même, assurez-vous que la thermopompe ne risque pas d'être arrosée par un système d'irrigation, cela risque de l'endommager.

Ruissellement d'eau de pluie. Cet appareil est conçu pour une installation extérieure et pour résister à une exposition à la pluie. Cependant, l'exposition à un ruissellement d'eau de pluie provenant d'un toit et qui tombe directement sur l'appareil peut causer des dommages ou raccourcir sa durée de vie. Ces dommages ne sont pas couverts par la garantie. Installez des gouttières ou un pare-pluie au-dessus de l'appareil si celui-ci est installé dans un lieu où il pourrait être affecté par un ruissellement d'eau de pluie.

**⚠ AVERTISSEMENT:** N'installez pas la thermopompe à moins de 3 pi (0,9 m) de tout appareil de chauffage à combustible fossile. L'entrée de gaz de combustion par les prises d'air latérales de la thermopompe pourrait perturber son bon fonctionnement, l'endommager ou causer des blessures. Montez l'appareil sur une base solide et de niveau, de préférence une dalle de béton. La base doit avoir une taille d'au 3 pi par 3 pi (0,9 m x 0,9 m).

## Alimentation électrique

La thermopompe doit être installée par un installateur professionnel. Un utilisateur final n'est pas qualifié pour installer une thermopompe: une mauvaise installation risque d'endommager la thermopompe ou de mettre en péril la sécurité des utilisateurs.

1. La thermopompe doit être installée à l'extérieur dans un lieu bien ventilé, afin d'éviter la recirculation de l'air, et dans un lieu procurant suffisamment d'espace lors de l'installation et d'un entretien. Reportez-vous à l'illustration suivante.
2. Cet appareil nécessite un dégagement minimum de 305 mm (12 po) des murs, d'arbustes, d'autre équipement, etc. sur le périmètre entier de l'appareil, afin d'éviter d'entraver l'apport d'air. L'aménagement d'un dégagement suffisant autour de l'ouverture d'évacuation évite la recirculation d'air. Nous recommandons de ne pas installer l'appareil sous un avant-toit, une terrasse ou un porche, car cela favorise la recirculation de l'air évacué, ce qui réduit son efficacité et pourrait entraîner son arrêt.
3. N'empilez rien à proximité de l'appareil et prévoyez un dégagement de 510 mm (20") de tout obstacle fixe derrière celui-ci, car cela réduira son efficacité.

4. Cette thermopompe doit être raccordée à une pompe de piscine (fournie par l'utilisateur). Pour les débits recommandés, voir **Table J** pour les modèles à vitesse variable et **Table K** pour les modèles à une vitesse.
5. Lorsque la thermopompe fonctionne, de la condensation est libérée à la base du chauffe-eau. Fixez solidement le connecteur de condensation au raccord d'évacuation de la condensation, puis prenez les moyens pour cheminer la condensation vers un drain de capacité suffisante.
6. La longueur de tuyauterie entre la piscine et la thermopompe doit être inférieure à 9,1 m (30 pi), car cela risque de réduire l'efficacité de la thermopompe.
7. Pour rehausser l'efficacité du système, isolez les tuyaux entre la piscine et la thermopompe.
8. Assurez-vous aussi d'installer la thermopompe à l'écart de buissons, arbustes ou objets encombrants (ex.: contenants de produits chimiques). Cela pourrait empêcher la libre circulation de l'air à travers la thermopompe, perturber son bon fonctionnement ou même l'endommager.
9. Lors d'une installation dans un lieu pouvant être exposé au gel, assurez-vous de vidanger la boucle d'eau afin d'éviter tout dommage par le gel. Voir la page 23 pour connaître les procédures appropriées.
10. Si la thermopompe est installée sous la ligne d'eau de la piscine, il pourrait être requis d'installer un détecteur magnétique de débit (non fourni).

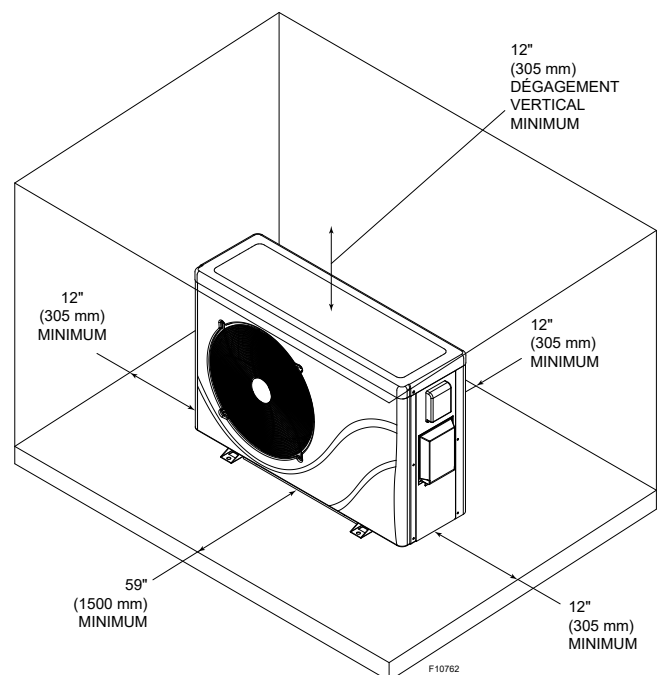


Figure 2. Dégagements de ventilation



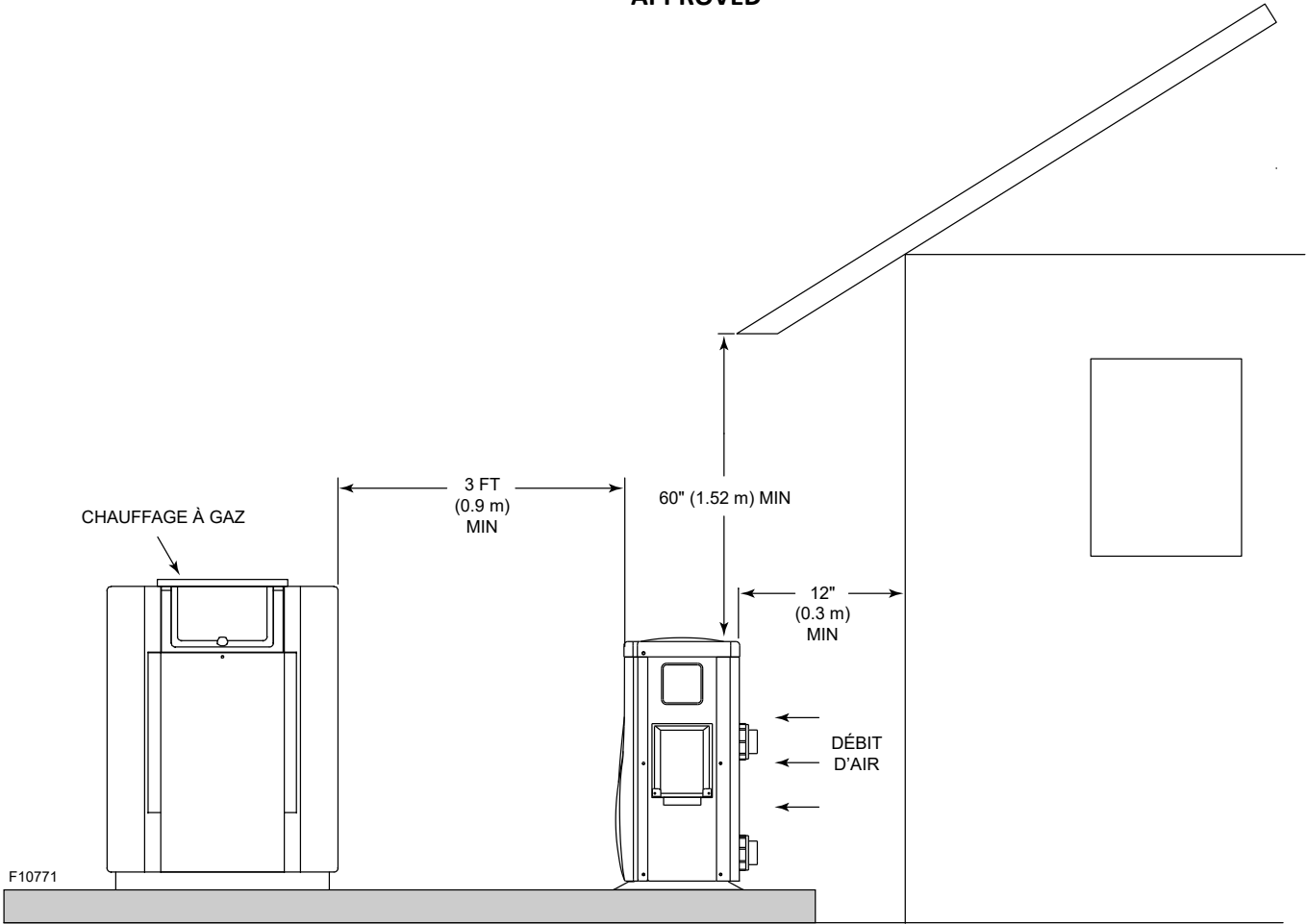


Figure 3. Dégagements d'installation

Vitesse variable 60 Hz (chauffage et refroidissement)				
Modèle	N° Raypak	N° Rheem	N° Ruud	N° Jacuzzi
CROSSWIND-30-I	17738	17742	17746	17750
CROSSWIND-40-I	17739	17743	17747	17751
CROSSWIND-50-I	17740	17744	17748	17752
CROSSWIND-65-I	17741	17745	17749	17753

Vitesse une vitesse 60 Hz (chauffage et refroidissement)				
Modèle	N° Raypak	N° Rheem	N° Ruud	N° Jacuzzi
CROSSWIND-40-O	18122	18125	18128	18131
CROSSWIND-50-O	18123	18126	18129	18132
CROSSWIND-65-O	18124	18127	18130	18133

Table B. Identification des modèles

## Composantes, vitesse variable

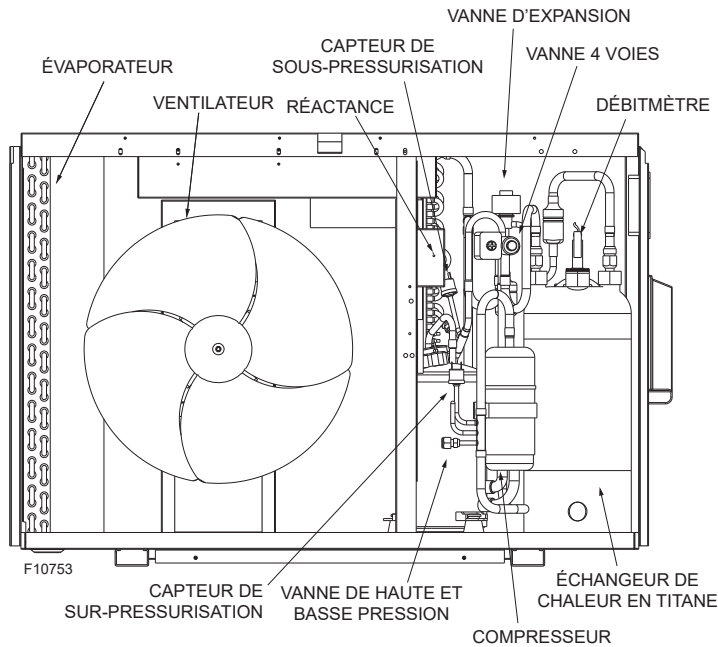


Figure 4. Modèle à vitesse variable - Principales composantes  
Vue avant

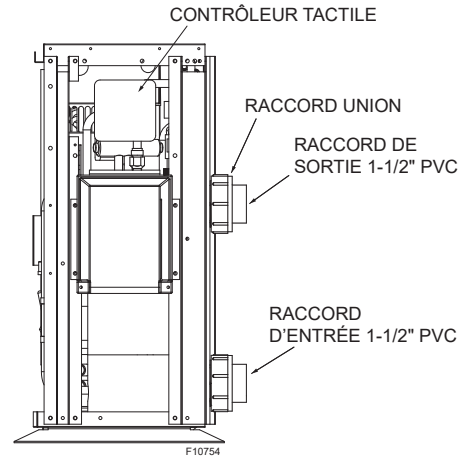


Figure 5. Modèle à vitesse variable-  
Principales composantes  
Vue de droite

## Composantes, une vitesse

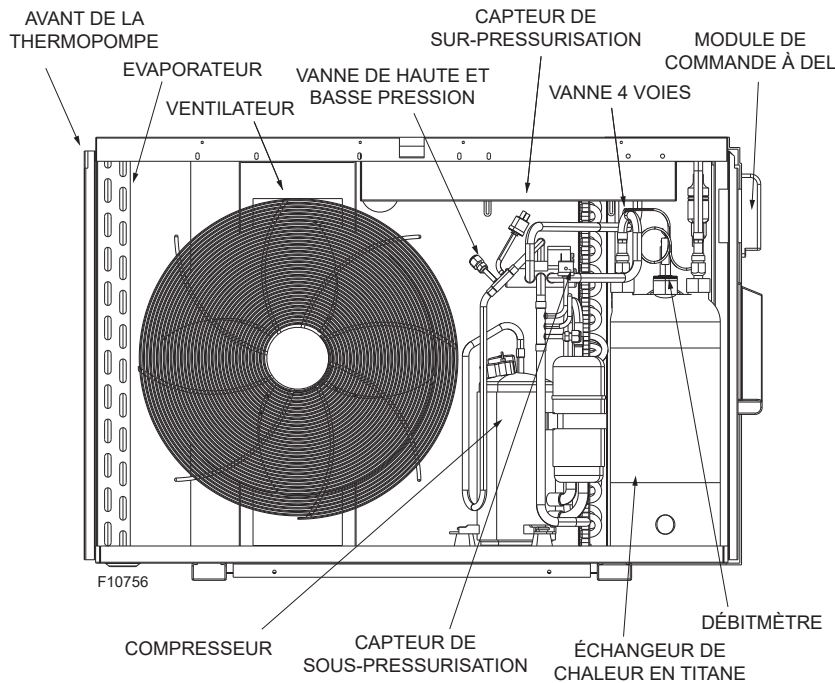


Figure 6. Modèle une vitesse - Principales composantes  
Vue avant

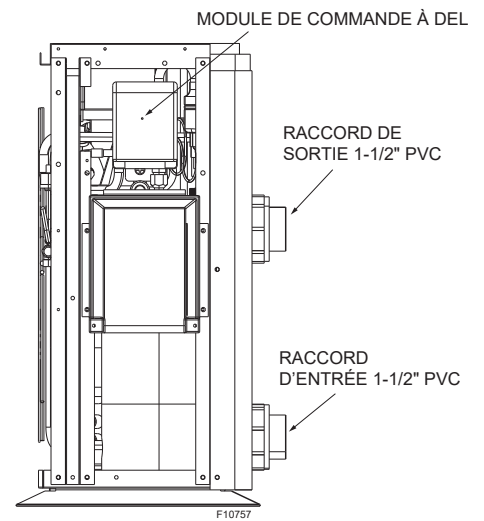


Figure 7. Modèle une vitesse -  
Principales composantes  
Vue de droite

## Dimensions et poids

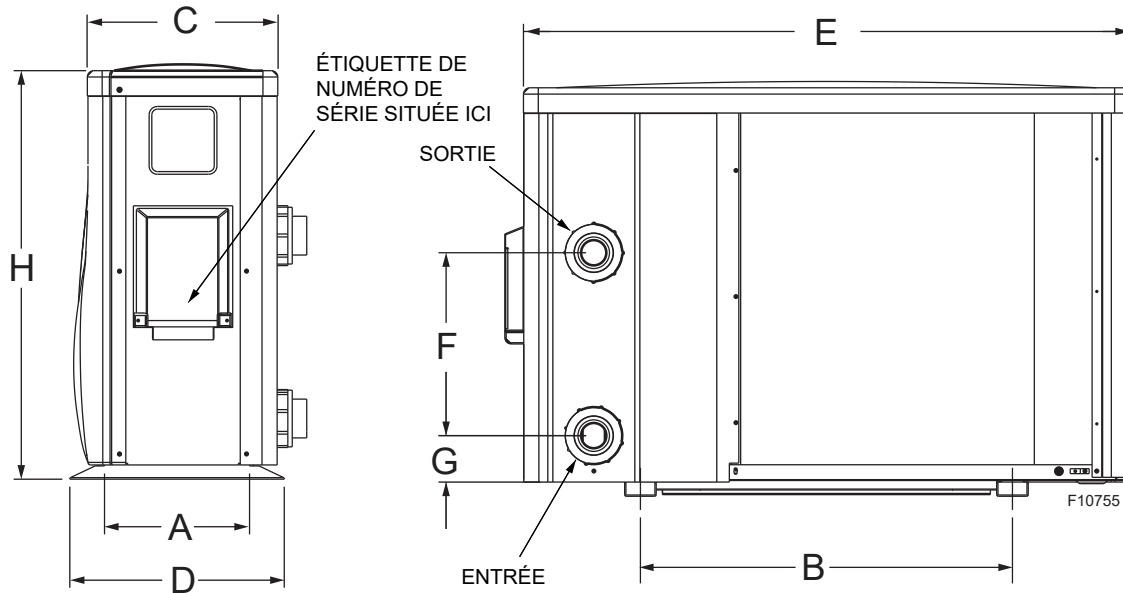


Figure 8. Dimensions

Modèles à vitesse variable									
Modèle	A	B	C	D (larg.)	E (long.)	F	G	H (haut.)	Poids lb. (kg)
CROSSWIND-30-I	12,4 (315)	23,2 (312)	12,3 (312)	13,4 (340)	39 (991)	11,4 (290)	2,9 (74)	25,9 (657)	104 (47)
CROSSWIND-40-I	12,4 (315)	23,2 (312)	12,3 (312)	13,4 (340)	39 (991)	11,4 (290)	2,9 (74)	25,9 (657)	106 (48)
CROSSWIND-50-I	12,4 (315)	23,2 (312)	12,3 (312)	13,4 (340)	39 (991)	13 (330)	2,9 (74)	25,9 (657)	115 (52)
CROSSWIND-65-I	15,6 (395)	23,2 (312)	15,4 (390)	16,5 (420)	39 (991)	14,2 (360)	2,9 (74)	25,9 (657)	137 (62)

Modèles à une vitesse									
Modèle	A	B	C	D (larg.)	E (long.)	F	G	H (haut.)	Poids lb. (kg)
CROSSWIND-40-O	12,4 (315)	23,2 (590)	12,3 (312)	12,4 (315)	39 (991)	11 (280)	3 (77)	25,9 (657)	126 (57)
CROSSWIND-50-O	15,6 (395)	24 (610)	15,4 (390)	15,6 (396)	39 (991)	12,2 (310)	3 (77)	25,9 (657)	150 (68)
CROSSWIND-65-O	15,6 (395)	23,2 (590)	15,2 (387)	15,6 (396)	39 (991)	15 (380)	3 (77)	29,8 (757)	172 (78)

Table C. Dimensions - po (mm)

## Alimentation en eau

**NOTE:** Les syndicats LOCK-RINGS et les joints toriques sont connectés à l'entrée et à la sortie de l'échangeur de chaleur.

**ATTENTION:** les raccords d'entrée et de sortie d'eau de la thermopompe ne sont PAS interchangeables. Les raccordements doivent être effectués comme indiqué ci-dessous.

**AVERTISSEMENT:** la mauvaise installation d'un distributeur automatique de produits chimiques peut gravement endommager ou entraîner une défaillance prématurée de la thermopompe et peut annuler la garantie. Installez un clapet anti-retour ou une boucle Hartford APRÈS la thermopompe, mais AVANT tout distributeur de produits chimiques. Installez toujours le distributeur automatique de produits chimiques APRÈS la thermopompe.

1. Raccordez la thermopompe dans la section de retour d'eau, entre le filtre et la piscine. Voir le diagramme de plomberie à la **Figure 9**.
2. Raccordez la sortie du filtre au raccord d'entrée de la thermopompe, sur la face inférieure de celle-ci.
3. Raccordez le raccord marqué OUTLET/SORTIE au raccord de retour de la piscine/spa. Les raccords d'entrée/sortie de la thermopompe sont en PVC 1-1/2 po.

Les raccords et conduites entre la thermopompe et la conduite de retour de la piscine peuvent être en PVC ou en conduit flexible approuvé pour cette application et

leur diamètre doit être au moins égal à celui du circuit principal de recirculation de la piscine.

1. Installez des robinets d'arrêt ou de dérivation, préférablement des vannes à 3 voies qui permettent de contourner la thermopompe, sur les conduites d'entrée et de sortie de la thermopompe, dans les cas suivants:
  - a. pour éviter d'exposer la thermopompe (contournement complet) à des produits chimiques corrosifs (nettoyage avec des produits acides, traitements-chocs consécutifs, nettoyage de taches, etc.);
  - b. pour isoler la thermopompe lors d'un entretien ou pour la vidanger avant l'hiver, tout en laissant fonctionner la boucle de recirculation principale.

Installez toujours le distributeur automatique de produits chimiques APRÈS la thermopompe. Voir le diagramme de plomberie à la **Figure 9**.

Veillez noter: certains codes locaux de plomberie ne permettent pas l'installation d'un robinet d'arrêt sur la conduite de sortie d'un équipement de chauffage, surtout lorsqu'il y en a un du côté de l'entrée. Si cette interdiction est en vigueur, la pose d'un té en PVC et d'un clapet antiretour à ressort est habituellement permise sur cette conduite de sortie. Cette alternative est acceptable pour protéger la thermopompe contre le retour de produits chimiques libérés par un distributeur automatique installé après celle-ci.

Mettez la pompe en marche et assurez de l'absence de toute fuite.

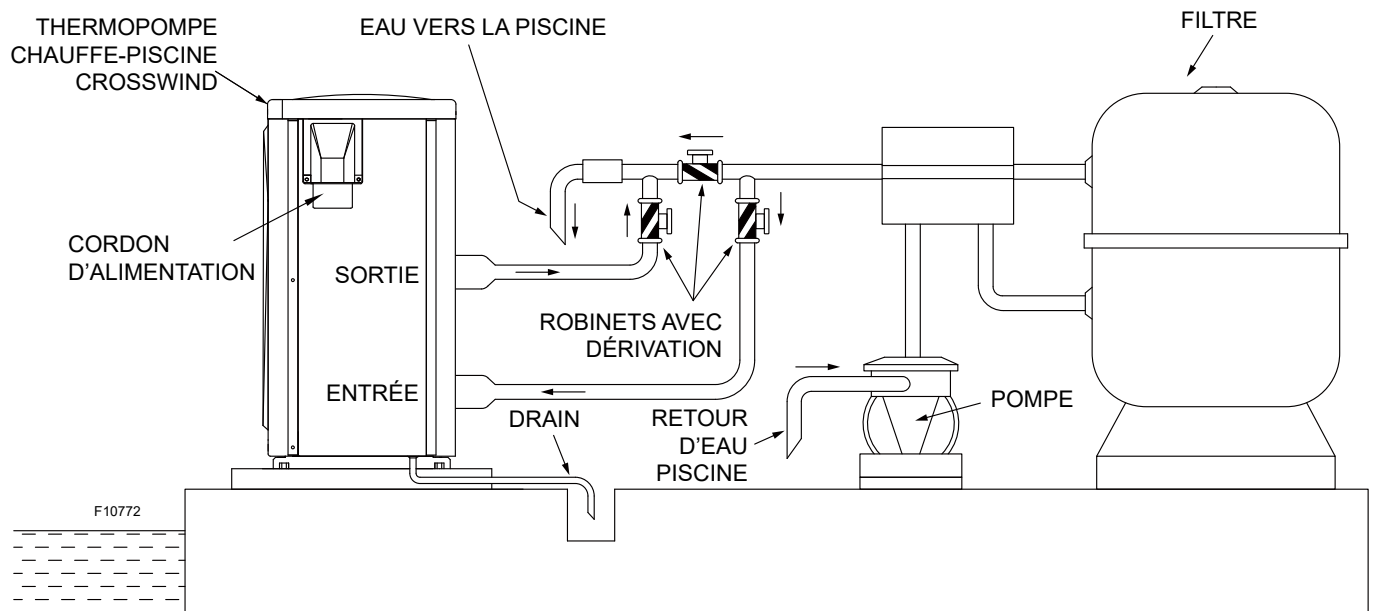
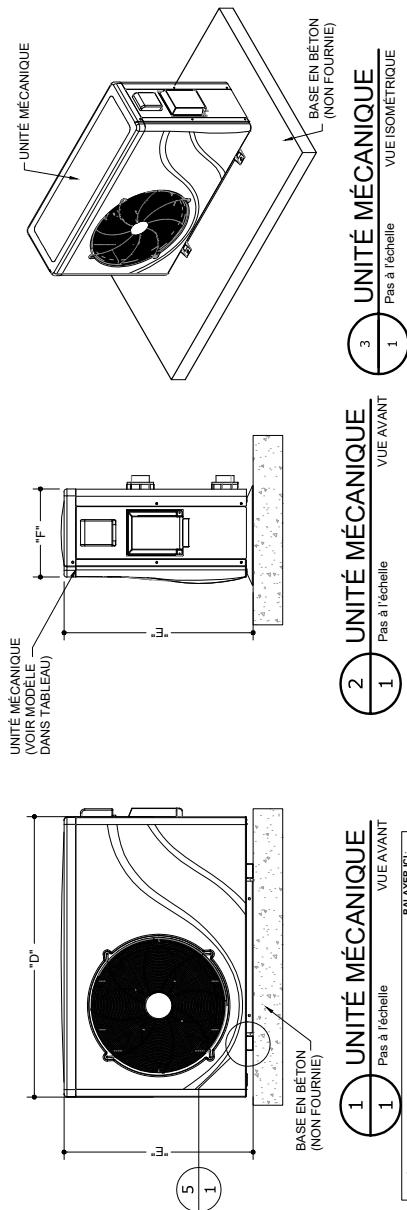


Figure 9. Diagramme de plomberie

# RAYPAK, INC.

ESTIMATION DE LA CHARGE DE VENT DES MODÈLES CROSSWIND: AU NIVEAU DU SOL

**CRITÈRES DE CONCEPTION APPROUVÉS:**  
**50,2 PSF LATÉRAL;**  
**41,2 PSF SOULÈVEMENT**



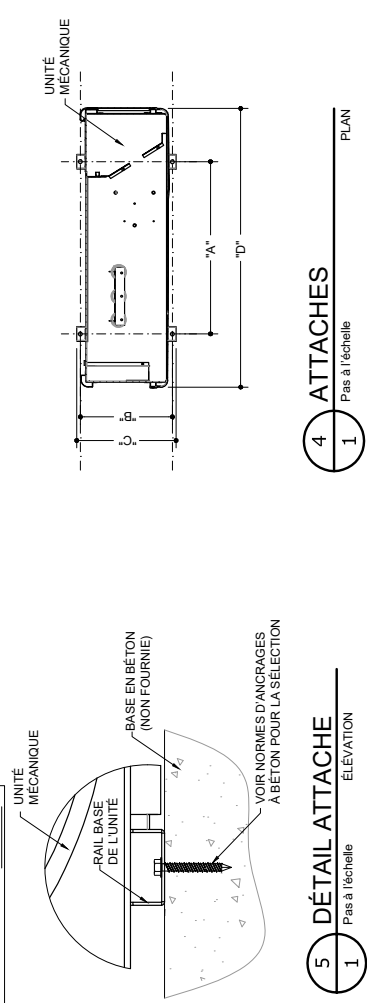
APPROVED

## NOTES DE CONCEPTION:

EXIGENCES DE PRESSION PROPRES AU SITE, SELON ASCE 7-10 ET CHAPITRE 16 DU CODE DU BÂTIMENT DE LA FLORIDE; DOIVENT ÊTRE INFÉRIEURES OU ÉGALES AUX PRESSIONS NOMINALES INDICÉES ICI POUR TOUT ASSEMBLAGE TEL QU'INDIQUÉ. EXIGENCES DE PRESSION DE CONCEPTION DOIVENT ÊTRE DÉTERMINÉES PAR UN CONCEPTEUR PROFESSIONNEL SELON LE PROJET, CONFORMÉMENT AU CODE APPLICABLE.

## NOTES GÉNÉRALES:

- CE SYSTÈME EST CONÇU ET FABRIQUÉ CONFORMÉMENT AUX EXIGENCES DU CODE DU BÂTIMENT DE LA FLORIDE SIXIÈME ÉDITION (2017), CE SYSTÈME PEUT ÊTRE UTILISÉ À L'INTÉRIEUR ET À L'EXTÉRIEUR DE LA ZONE CYCLONIQUE. CE PLAN N'EST PAS DESTINÉE À CERTIFIER LA RÉSISTANCE AUX CHOCES DE L'ARMOIRE DE L'UNITÉ MÉCANIQUE.
- AUCUNE AUGMENTATION DE 33-1/3% DU STRESS ADMISSIBLE N'A ÉTÉ UTILISÉE DANS LA CONCEPTION DE CE SYSTÈME.
- TOUTES LES DIMENSIONS ET LE POIDS MINIMAL (100 LB MIN.) DE L'UNITÉ MÉCANIQUE DOIVENT ÊTRE CONFORMES AUX LIMITES DU PRÉSENT DOCUMENT. TOUTES LES SPÉCIFICATIONS MÉCANIQUES (DÉGAGEMENTS, TONNAGE, ETC.) DOIT ÊTRE CONFORME AUX RECOMMANDATIONS DU FABRICANT ET RELEVÉNT EXPRESSEMENT DE LA RESPONSABILITÉ DE L'ENTREPRENEUR.
- LES ANCRAGES INDICUÉS AUX PRÉSENTES: ELCO ULTRACON SS4 OU L'ÉQUIVALENT, INSÉRÉ DANS DU BÉTON 3000 PSI MIN. VOIR NORMES D'ANCRAGE CONTRE. TOUTS LES ANCRAGES DOIVENT ÊTRE PROTÉGÉS CONTRE LA CORROSION GALVANIQUE.
- LE BÉTON SPÉCIFIÉ AUX PRÉSENTES NEST PAS CERTIFIÉ, AU MINIMUM, LE BÉTON STRUCTURAL DOIT AVOIR UNE ÉPAISSEUR DE 4 PO ET UNE RÉSISTANCE À LA COMPRESSION MINIMALE DE 3000 PSI. SAUF INDICATION CONTRAIRE, THICK AND SHALL HAVE MINIMUM COMPRESSIVE STRENGTH OF 3000 PSI, UNLESS NOTED OTHERWISE.
- L'ENTREPRENEUR DOIT ISOLER TOUTS LES MATÉRIAUX DIFFÉRENTS AFIN DE PRÉVENIR LA CORROSION GALVANIQUE.
- MALT, SI REQUIS, NEST PAS SPÉCIFIÉ AUX PRÉSENTES ET NEST PAS FOURNI.
- LA CAPACITÉ DE TOUTE STRUCTURE À RÉSISTER AUX CHARGES COMBINÉES DOIT ÊTRE VÉRIFIÉE PAR UN PROFESSIONNEL DE LA CONCEPTION ET NEST PAS INCLUSE À LA PRÉSENTE CERTIFICATION, SAUF INDICATION EXPRESSE, AUCUNE CERTIFICATION SUPPLÉMENTAIRE NEST SPÉCIFIÉE AUX PRÉSENTES.
- LE SYSTÈME DÉTAILLÉ REPRÉSENTE UNE INSTALLATION GÉNÉRIQUE ET NE FOURNIT PAS D'INFORMATION POUR UN SITE PARTICULIER. SI LES CONDITIONS DU SITE DIFFÉRENT DES CONDITIONS DÉCRITES AUX PRÉSENTES, UN INGÉNIEUR AGRÉÉ DOIT PRÉPARER DES DOCUMENTS DE SITE PARTICULIER EN VUE DE LEUR UTILISATION EN CONJONCTION AVEC LE PRÉSENT DOCUMENT.



Voir "Tableau C. Dimensions - po (mm)" à la page 10 pour les dimensions poids.

NORMES D'ANCRAGE	DESCRIPTION
SUBSTRAT	(1)-1/4"Ø ELCO ULTRACON SS4, 1.75" BÉTON 3 KSI; 2.5" MIN. DE LA BORDURE; 3" MIN. DE TOUT ANCRAGE ADJACENT; OU ANCRAGE ÉQUIVALENT.
BÉTON:	(4" ÉPAISSEUR MIN., 3000 PSI MIN.)

Figure 10. Arrimage des sangles anti-ouragans

## 4. ALIMENTATION ÉLECTRIQUE

### Câblage

L'installation électrique devrait uniquement être effectuée par un électricien licencié.

1. Assurez-vous que les caractéristiques de l'alimentation correspondent aux valeurs requises par la thermopompe.
2. La thermopompe doit être mise à la masse.
3. L'installation électrique devrait uniquement être effectuée par un électricien licencié, selon le schéma de câblage fourni.

### Raccordements électriques

L'installation électrique devrait uniquement être effectuée par un électricien licencié.

Consultez la plaque signalétique située sous le panneau de commande pour connaître les valeurs nominales requises d'alimentation et de protection.

Le câblage alimentant l'appareil doit être conforme aux exigences de la plus récente édition du National Electrical Code, NFPA No. 70, ainsi qu'à tous les codes nationaux et locaux applicables. Les schémas de câblage sont présentés aux pages 14 à 18.

**AVERTISSEMENT:** les conducteurs **DOIVENT** être acheminés dans des conduits flexibles. Cela permet de déplacer les conducteurs lors de l'ouverture de la boîte de jonction.

Positionnez l'interrupteur d'isolement à moins de 0,9 m (3 pi) du boîtier électrique de la thermopompe, ou aussi près que possible de celui-ci. Assurez-vous de toujours respecter les exigences des normes et codes applicables.

Lors du dimensionnement des conducteurs électriques, considérez augmenter le calibre pour les plus longues distances. Assurez-vous de toujours respecter les exigences des normes et codes applicables.

**NOTE:** reportez-vous à l'article 680 du NEC pour connaître les exigences générales relatives aux piscines et à leurs équipements, et à l'article 440 pour les considérations relatives aux circuits alimentant des moteurs frigorifiques hermétiques ou compresseurs.

Cette thermopompe est conçue et pré-câblée en usine pour fonctionner avec un module de commande externe, un module de chauffage à la demande ou une minuterie. Reportez-vous aux instructions du système de contrôle externe pour en savoir plus sur son installation.

**NOTE:** Veuillez vous référer à la page 23 pour les instructions sur la dérogation de l'horloge. Les pages 24 et 25 font référence aux instructions sur le fonctionnement de plusieurs pompes à chaleur avec une pompe à chaleur principale pour contrôler les pompes à chaleur suiveuses.

Modèle	Alim. électrique	Courant admissible (A)	Disjoncteur (A)	
			min.	max.
CROSSWIND-30-I	208-230VAC 60HZ/1PH	12A	15A	15A
CROSSWIND-40-I		12A	15A	15A
CROSSWIND-50-I		16A	20A	20A
CROSSWIND-65-I		20A	20A	25A
CROSSWIND-40-O		12A	15A	15A
CROSSWIND-50-O		16A	20A	20A
CROSSWIND-65-O		17,2A	25A	25A

\* À titre indicatif seulement - consultez le NEC ou le Code canadien de l'électricité.

Table D. Exigences d'alimentation électrique

### Commande automatique

#### Systèmes à 2 fils - Chauffage seulement (Modèles à onduleur uniquement)

Les modèles Crosswind à vitesse variable sont équipés d'un capteur de température permettant la régulation automatique de la température.

Contrôleurs à 2 fils (chauffage seulement)

1. Connectez les fils de régulation du chauffage du module de commande aux bornes correspondantes dans la boîte de jonction électrique de la thermopompe.
2. Retirez le fil de cavalier qui relie les bornes marquées #5 et #6. Voir la Figure **Figure 11**, et les schémas de câblage aux **pages 14 à page 19**.

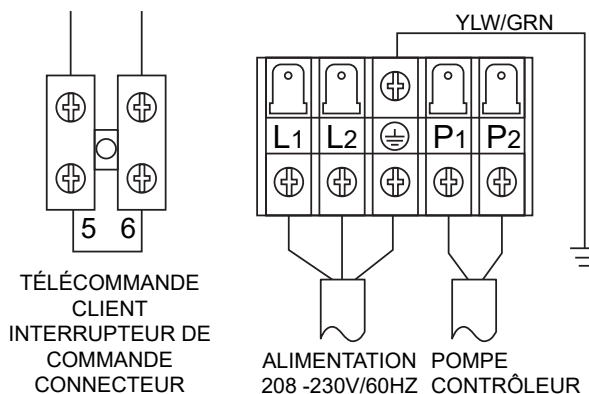


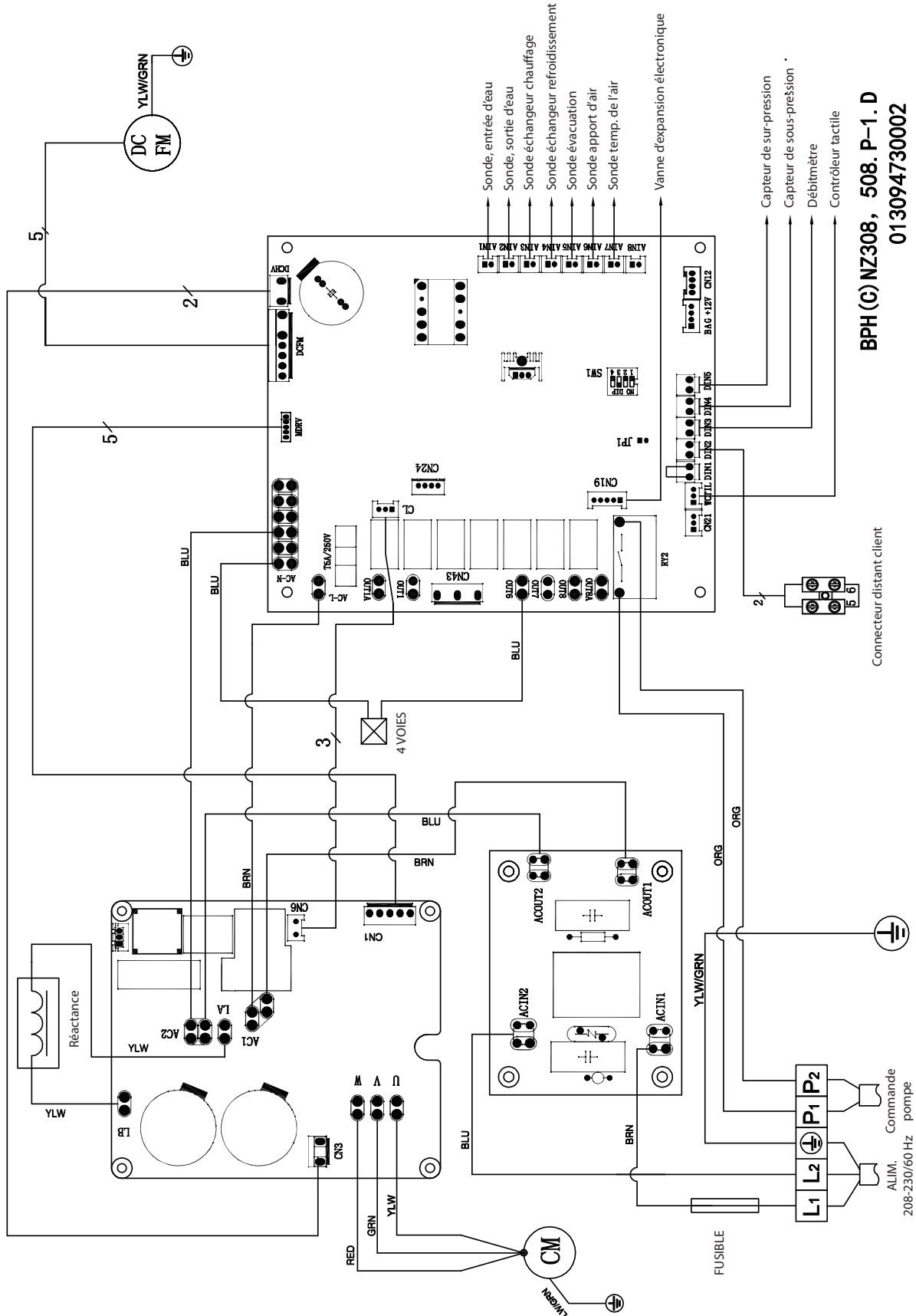
Figure 11. Commande automatique, système à 2 fils

3. Connectez les fils de régulation du chauffage du module de commande aux bornes #5 et #6.
4. Réglez la thermopompe à 40°C (104°F).

**NOTE:** lorsque le contrôleur envoie un signal de chauffage, la thermopompe est en mode **CHAUFFAGE**. Lorsque le contrôleur n'envoie pas un signal de chauffage, la thermopompe est en mode **OFF**.

# 5. SCHÉMAS DE CÂBLAGE

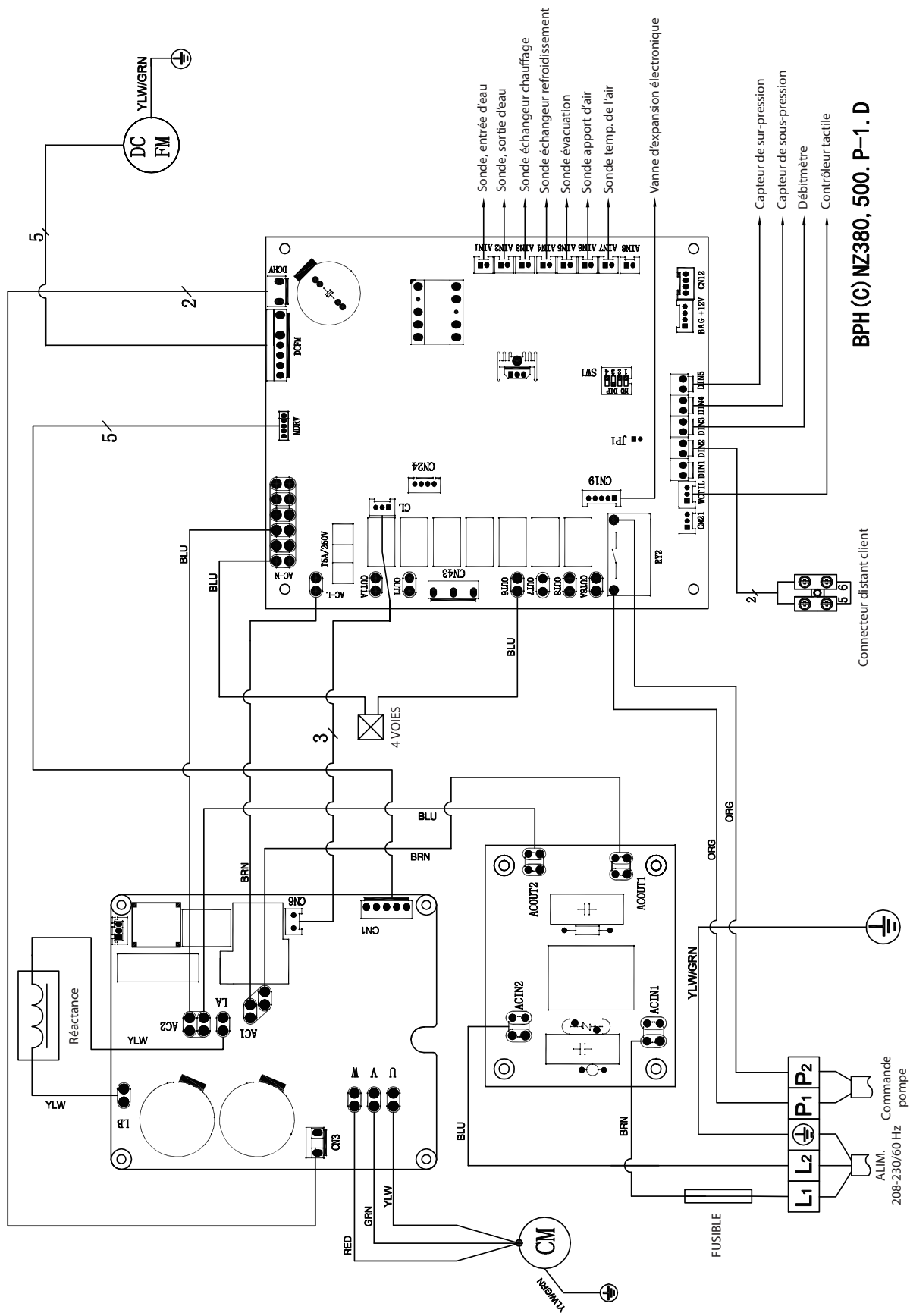
Crosswind-30-I, 50-I



BPH (G) NZ308, 508. P-1. D  
013094730002

Connecteur distant client

ALIM. Commande  
208-230/60 Hz pompe

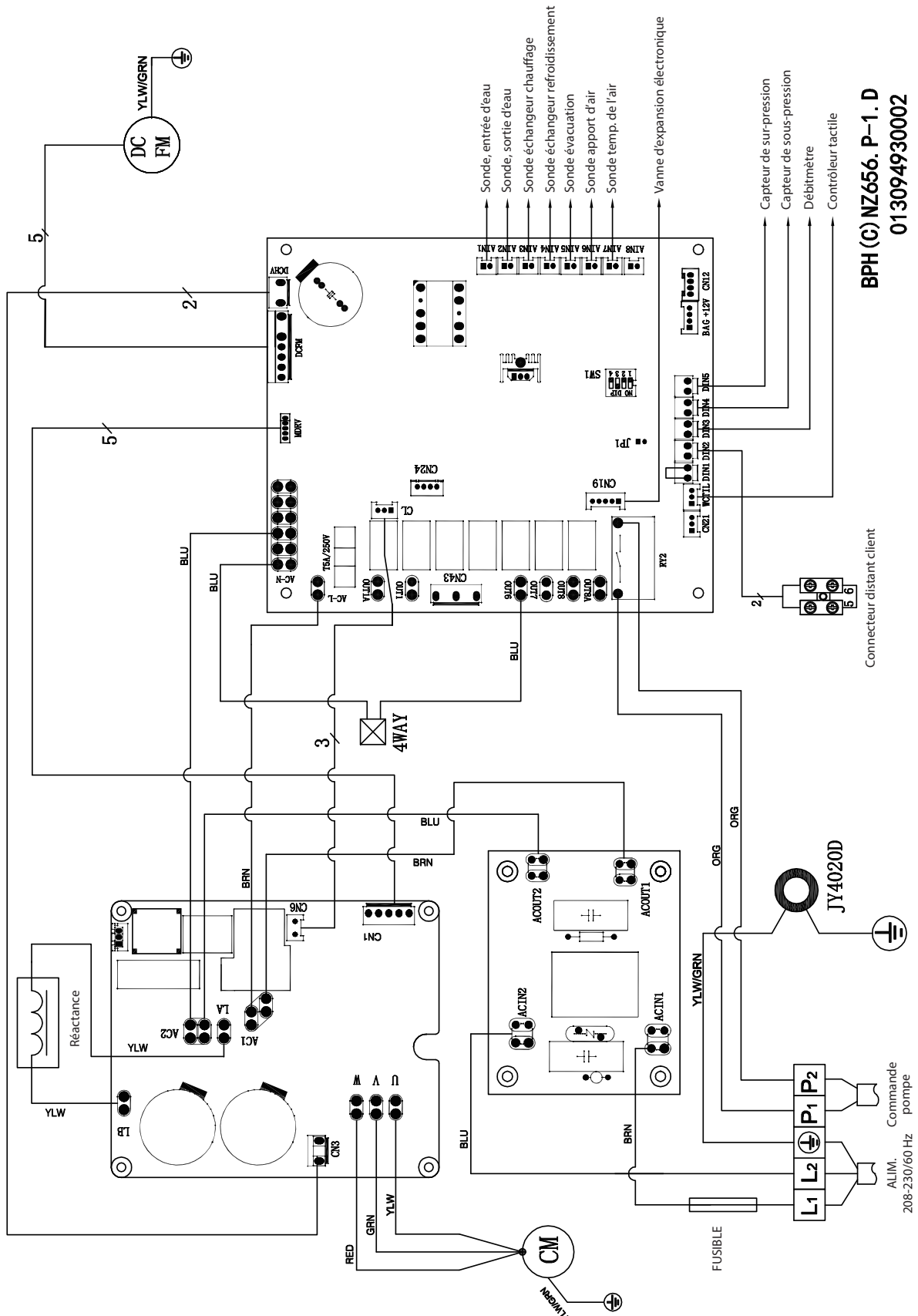


BPH (C) NZ380, 500. P-1. D

Connecteur distant client

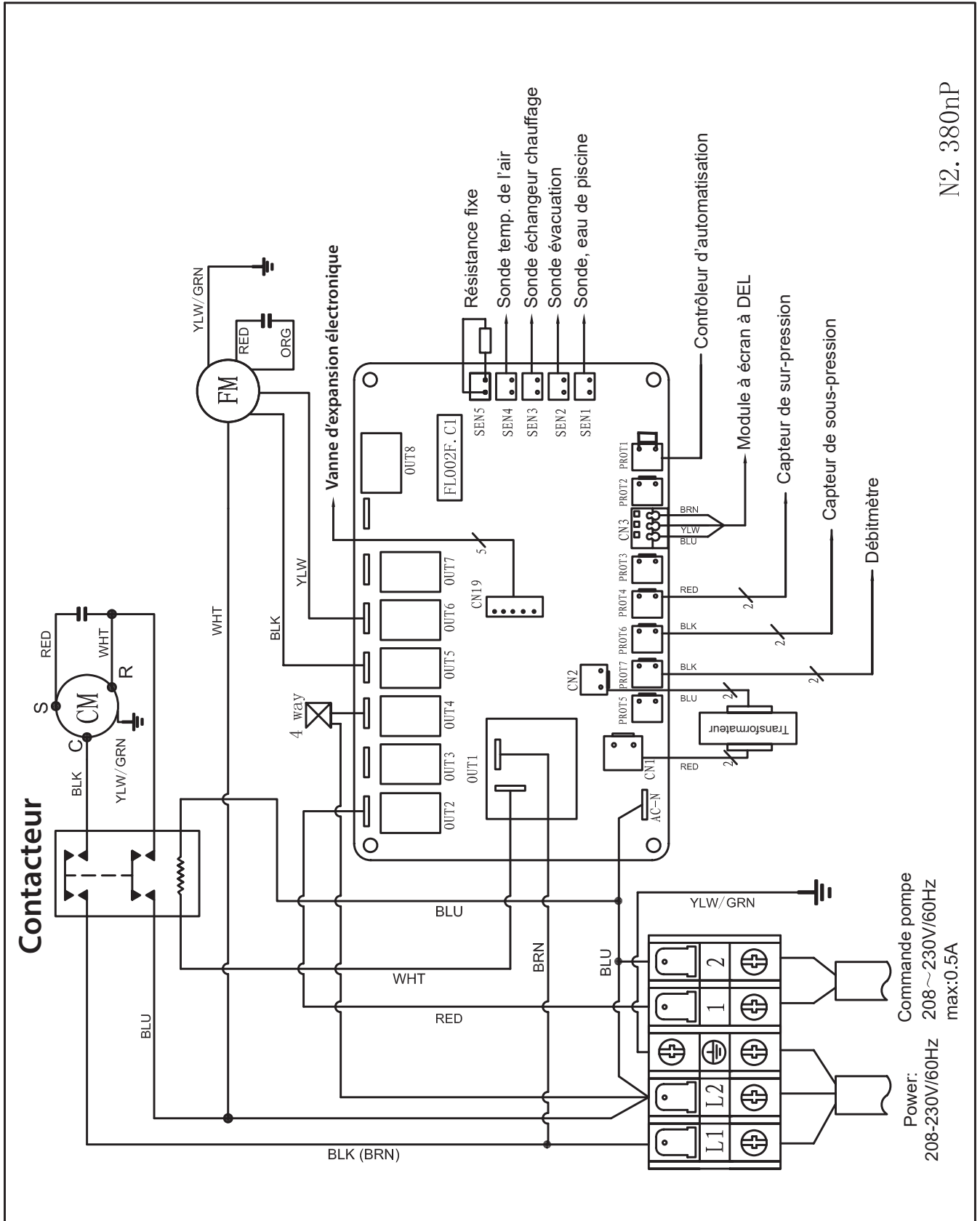


Crosswind-65-I



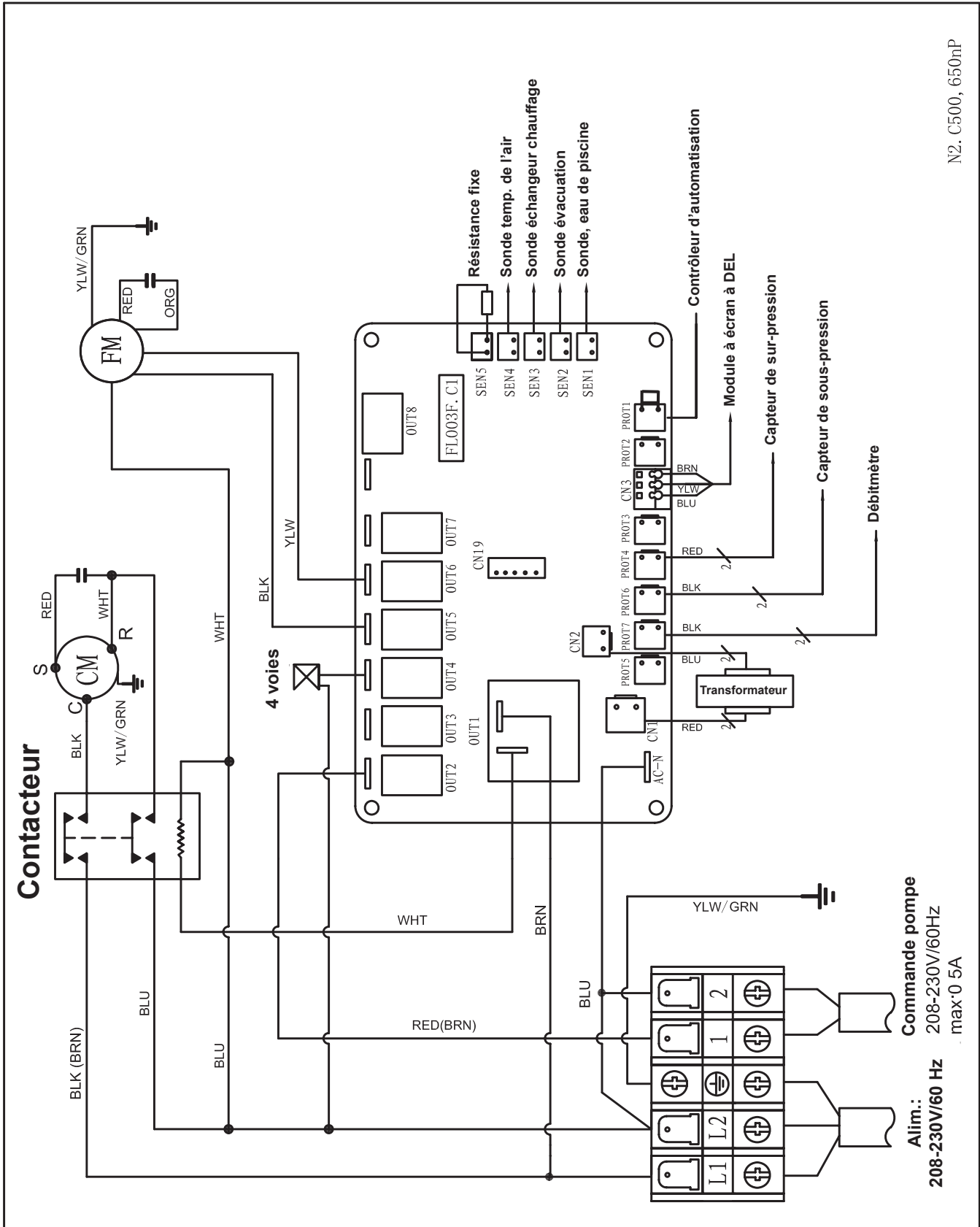
BPH (C) NZ656. P-1. D  
013094930002

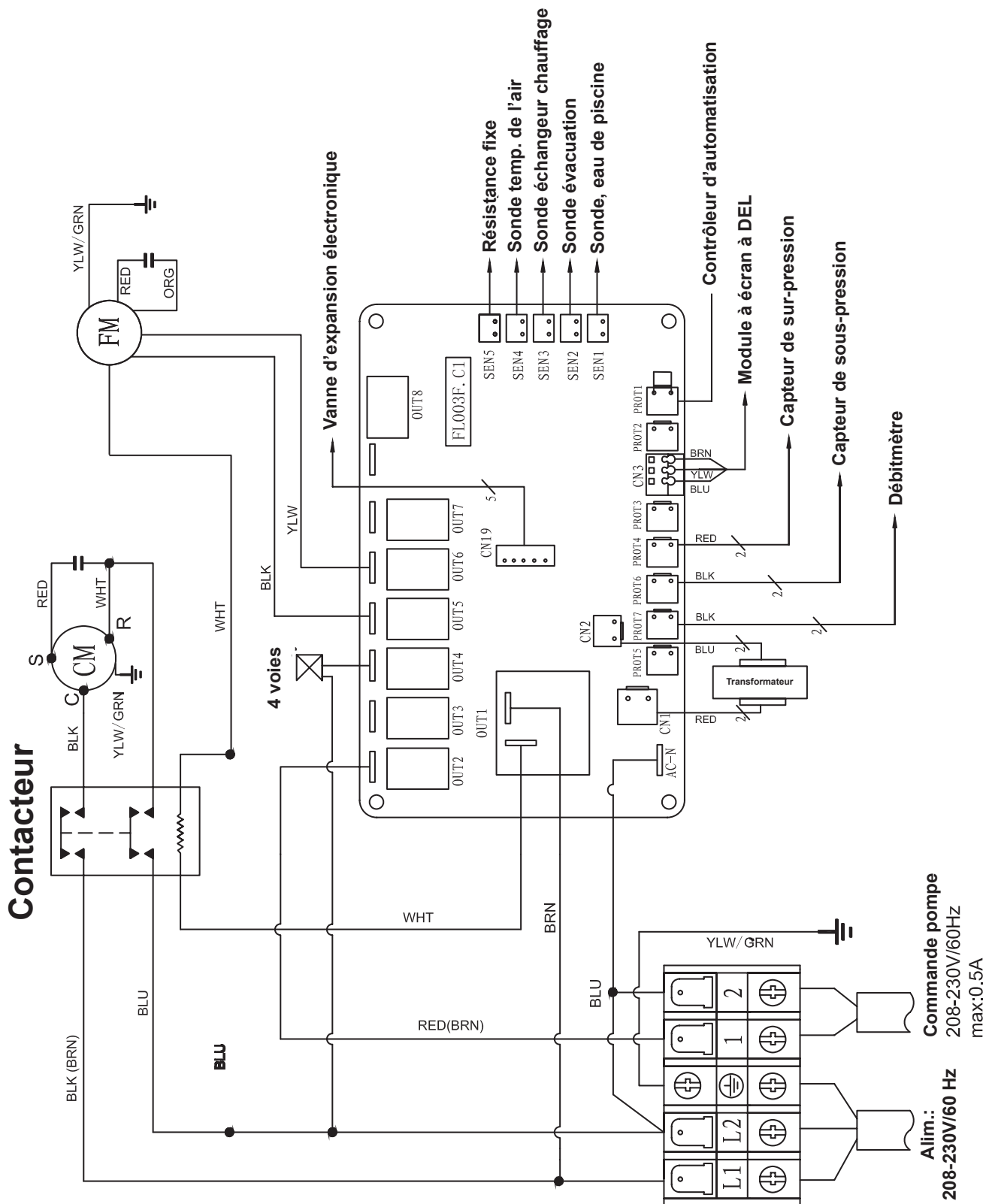
Crosswind-40-O



N2. 380nP

# Crosswind-50-O





## 6. COMMANDES

### Modèles à vitesse variable seulement

Le module de commande régule le fonctionnement de la thermopompe. Il est illustré à la figure ci-dessous.

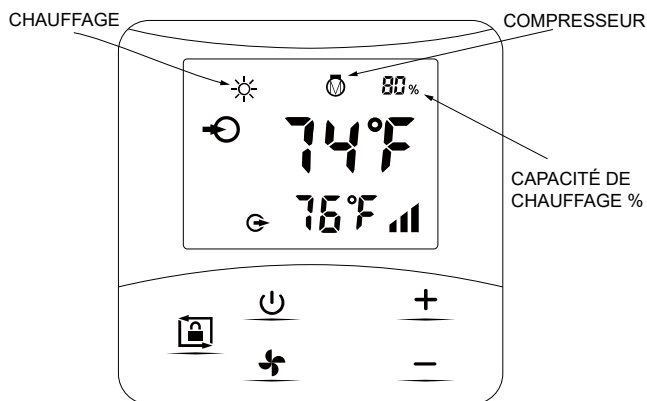


Figure 12. Module de commande, modèles -30-I à -65-I

Symbole	Désignation	Fonctions des boutons
		Appuyer pendant 3 secondes pour déverrouiller/verrouiller l'écran
	ON/OFF	Mise sous/hors tension
	Vitesse.	Mode intelligent/silencieux
	Haut	Réglage température
	Bas	Réglage température

Table E. Fonctions des boutons

### Mise sous tension

Appuyez sur le bouton LOCK pendant 3 secondes pour allumer l'écran, puis appuyez sur POWER pour allumer le chauffage.

### Réglage de la température:

Lorsque l'écran est déverrouillé, appuyez sur UP ou DOWN pour afficher ou régler la température de consigne.

Pour passer de Fahrenheit à Celsius, appuyez sur et pendant 3 secondes.

### Sélection du mode Smart/Silence

Le mode intelligent est activé par défaut lorsque la thermopompe est en marche. L'écran affiche alors .

Appuyez sur FAN pour passer au mode silence. L'écran affiche alors .

**NOTE:** sélectionnez le mode intelligent lors de la mise en service.

## APPROVED

### Verrouillage de l'écran

L'écran se verrouille automatiquement lorsqu'aucun bouton n'est utilisé en 30 secondes. Le rétro-éclairage s'éteint et 0% s'affiche.

Il est aussi possible de manuellement verrouiller l'écran en appuyant sur le bouton LOCK pendant 3 secondes.

Pour déverrouiller l'écran et utiliser, suivez les instructions de mise sous tension ci-dessus.

### Dégivrage

#### Dégivrage automatique:

1. Lorsque la thermopompe est en mode dégivrage, l'icône HEATING clignote continuellement.
2. Une fois le cycle dégivrage terminé, HEATING cesse de clignoter.

#### Dégivrage manuel:

1. Lorsque la thermopompe chauffe, appuyez simultanément sur les boutons FAN et MINUS pendant 5 secondes pour lancer le mode de dégivrage manuel, clignotera en continu.

Une fois le cycle dégivrage terminé, HEATING cesse de clignoter.

**NOTE:** l'intervalle minimum entre deux dégivrages manuels est de 30 minutes et le compresseur doit fonctionner plus de 10 minutes par cycle.

### Modes chauffage, refroidissement ou auto

1. Appuyez sur le bouton LOCK pendant 3 secondes pour allumer l'écran.
2. Appuyez sur le bouton de verrouillage pour changer le MODE de fonctionnement de la pompe à chaleur.

#### MODES:

- POOL HEAT (icône soleil): chauffe au point de consigne.
- POOL COOL (icône flocon): refroidit au point de consigne
- POOL AUTO (icône triangle): chauffe ou refroidit au point de consigne.

## Modèles à une vitesse

Le module de commande régule le fonctionnement de la thermopompe. Il est illustré à la figure ci-dessous.

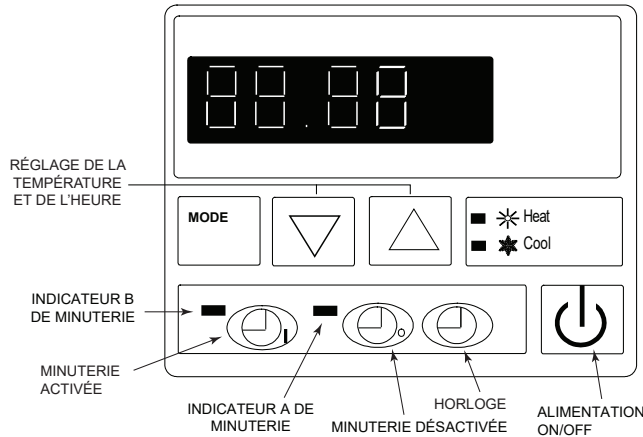


Figure 13. Module de commande, modèles -40-O à -65-O

Symbole	Désignation	Fonctions des boutons
	Alim.	Mise sous/hors-tension
	Horloge	Réglage heure locale
	Minuterie désactivée	Réglage heure d'arrêt de la minuterie
	Témoin A	Indique que l'arrêt automatique est activée
	Minuterie activée	Réglage heure de marche de la minuterie
	Témoin B	Indique que la mise en marche automatique est activée
	Refroidissement	Indique que ce mode est activé (si fonction présente)
	Chauffage	Indique que ce mode est activé
	Touche MODE	Sélection du mode chauffage - refroidissement (si présente)
	Flèche bas	Réglage température et heure
	Flèche haut	Réglage température et heure
	Écran à DEL	Affiche l'heure, la température et code d'erreur

Table F. Fonctions des boutons

## Utilisation du module de commande

### Comportement par défaut

- L'écran à DEL affiche l'heure quand la thermopompe est à l'arrêt.
- L'écran à DEL affiche la température de la piscine quand la thermopompe est en marche.

Pour passer de Fahrenheit à Celsius, appuyez et maintenez le bouton Timer ON pendant 10 secondes pour passer de °F à °C.

## Mode chauffage/refroidissement

1. Appuyez sur le bouton MODE pour passer d'un mode à un autre.

**NOTE: uniquement pour modèles à refroidissement.**

### Réglage de la température

La température peut être modifiée en tout temps (thermopompe en marche ou à l'arrêt).

1. Appuyez sur HAUT ou BAS pour régler la valeur-cible.
2. Les valeurs clignotent pendant le réglage.
3. Après cinq secondes d'inactivité, l'écran cesse de clignoter, la température cible est fixée et l'affichage retourne à l'état par défaut.
4. Pour vérifier le réglage de la température, à tout moment, appuyez sur le bouton UP ou BAS pour l'afficher.

### Réglage de l'horloge


1. L'heure peut être modifiée en tout temps (thermopompe en marche ou à l'arrêt).
2. Appuyez sur HORLOGE pour définir l'heure locale. La valeur de l'heure se met à clignoter à l'écran.
3. Pour régler l'heure, appuyez à nouveau sur HORLOGE , puis appuyez sur HAUT ou BAS .
4. Pour régler la minute, appuyez sur HORLOGE (pendant que l'heure clignote), puis appuyez sur HAUT ou BAS .
5. Après le réglage, appuyez sur HORLOGE ; la température de l'eau s'affichera. Après 30 secondes d'inactivité l'écran cesse de clignoter et l'affichage retourne à l'état par défaut.

### Marche/Arrêt automatique









Ce module de commande peut automatiquement allumer et éteindre la thermopompe.

### Réglage de l'heure MARCHE

1. Appuyez sur HORLOGE pour accéder à la minuterie.
2. Lorsque le témoin lumineux est allumé et que l'heure clignote, appuyez à nouveau sur HORLOGE pour régler l'heure. Appuyez sur HAUT ou BAS pour modifier l'heure.
3. Pendant que l'écran clignote, appuyez sur pour régler les minutes. Appuyez sur HAUT ou BAS pour modifier les minutes.
4. Une fois l'heure réglée, appuyez sur MINUTERIE




ON  pour confirmer le réglage, et la température de l'eau s'affichera. Après 30 secondes d'inactivité l'écran cesse de clignoter et l'affichage retourne à l'état par défaut.

### Réglage de l'heure ARRÊT

1. Appuyez sur HORLOGE  pour accéder à la minuterie.
2. Lorsque le témoin lumineux est allumé et que l'heure clignote, appuyez à nouveau sur HORLOGE  pour régler l'heure. Appuyez sur HAUT  ou BAS  pour modifier l'heure.
3. Pendant que l'écran clignote, appuyez sur  pour régler les minutes. Appuyez sur HAUT  ou BAS  pour modifier les minutes.
4. Une fois l'heure réglée, appuyez sur MINUTERIE OFF  pour confirmer le réglage, et la température de l'eau s'affichera.

Après 30 secondes d'inactivité l'écran cesse de clignoter et l'affichage retourne à l'état par défaut.

### Annulation du mode automatique

1. Appuyez sur MINUTERIE ON  ou MINUTERIE OFF  pour annuler le mode de fonctionnement automatique.
2. Pendant que le témoin clignote, appuyez sur HORLOGE . Quand le témoin est éteint et que l'écran affiche la température de l'eau, la fonction marche/arrêt automatique est désactivée.

Après 30 secondes d'inactivité l'écran cesse de clignoter et l'affichage retourne à l'état par défaut.

### Dégivrage

**NOTE:** l'intervalle minimum entre deux dégivrages manuels est de 30 minutes et le compresseur doit fonctionner plus de 10 minutes par cycle.

### Contrôle d'automatisation - Modèle ON/OFF

Cette fonctionnalité est uniquement disponible en mode chauffage (système à 2 fils).

Les modèles à une vitesse sont équipés d'un capteur de température permettant la régulation automatique de la température.

Reportez-vous à la page 24 pour les instructions d'utilisation.

## 7. INSTRUCTIONS D'UTILISATION

### Procédure de mise en marche

Si la thermopompe est correctement installée, il est très

### APPROVED

facile de la faire fonctionner. Le module de commande permet d'allumer ou d'éteindre la thermopompe et de régler la température de consigne. La plage de valeur réglée en usine est de 18°C (64°F) à 40°C (104°F) (CHAUFFAGE) et de 12°C (54°F) à 30°C (86°F) (REFROIDISSEMENT).

Les modèles à **vitesse variable** possèdent des paramètres supplémentaires de réglage des plages de températures, voir page 20. Modèles à **une vitesse**, voir page 21.

### Avant la mise en marche

#### Quel est votre modèle?

Le numéro de modèle est indiqué sur la plaque signalétique de la thermopompe, **Figure 1**.

#### Présence d'eau

L'eau doit circuler à travers la thermopompe pendant son fonctionnement. Assurez-vous que le système est rempli d'eau et que la pompe fonctionne.

**AVERTISSEMENT:** la mise en marche de la thermopompe sans qu'elle ne soit alimentée par la pompe l'endommagera rapidement et irrémédiablement, et ces dommages ne sont pas couverts par la garantie.

### Mise en marche

**NOTE:** l'utilisateur doit mettre la pompe de piscine en marche avant la thermopompe et éteindre cette dernière avant la pompe de piscine: le contraire endommagera la thermopompe.

L'utilisateur doit mettre en marche la pompe de la piscine et s'assurer de l'absence de fuite; allumer et appuyer sur le bouton ON/OFF de la thermopompe, et régler la température du thermostat.

Afin d'assurer son bon fonctionnement, la thermopompe est équipée d'une fonction de démarrage temporisé. Ainsi, lors du démarrage, le ventilateur se met en marche 1 minute avant le compresseur.

Une fois la thermopompe démarrée, assurez-vous de l'absence de bruit anormal.

### Après la mise en marche

Touchez aux tuyaux d'entrée et de sortie d'eau. Le tuyau de sortie doit être légèrement plus chaud que celui d'entrée. Il ne devrait PAS être chaud.

Les modèles à **vitesse variable** possèdent des paramètres supplémentaires de réglage des plages de températures, voir page 20. Modèles à **une vitesse**, voir page 21.

#### Quel est votre modèle?

Le numéro de modèle est indiqué sur la plaque signalétique de la thermopompe, **Figure 1**.

## Entretien

**⚠ ATTENTION:** coupez l'alimentation électrique du circuit de la thermopompe avant tout entretien, y compris lors d'un nettoyage ou d'une simple inspection. Ne touchez aucune composante électronique si les témoins de la carte électronique sont allumés.

Si une panne de courant survient pendant que la thermopompe fonctionne, la thermopompe redémarrera automatiquement lors du rétablissement de l'alimentation. Coupez l'alimentation électrique lors d'une panne de courant et réglez à nouveau la température de consigne lors du rétablissement du courant.

Si la thermopompe doit être mise à l'arrêt pendant une longue période, coupez l'alimentation électrique et videz-la complètement d'eau en ouvrant le raccord-union de la conduite d'alimentation en eau.

Vérifiez régulièrement les boulons, les câbles et les connexions pour s'assurer de leur solidité; resserrez-les au besoin.

## Utilisation par temps froid

Lors de la saison froide, lorsque la piscine reste inutilisée:

1. Coupez l'alimentation pour éviter d'endommager la thermopompe.
2. Vidangez l'eau de la thermopompe en déconnectant les tuyaux d'entrée et de sortie d'eau, entre celle-ci et la piscine. Au besoin, utilisez un aspirateur d'atelier ou de l'air sous pression pour purger tout excès d'eau.
3. Dévissez le raccord-union du tuyau d'entrée d'eau (supérieur), afin de briser le vide et permettre à l'eau de s'écouler du raccord du bas.

**⚠ ATTENTION:** si de l'eau est laissée dans la thermopompe par température de gel, cela risque d'endommager l'échangeur de chaleur.

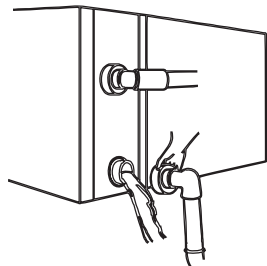


Figure 14. Raccords d'entrée et de sortie

4. Couvrez la thermopompe lorsqu'elle reste inutilisée pendant une longue période, afin de la protéger des intempéries.
5. Nettoyez l'extérieur de la thermopompe du savon doux et de l'eau. N'utilisez jamais d'essence, de diluant à peinture ou d'autres liquides inflammables.

## Test d'installation

Inspection avant utilisation:

1. Assurez-vous que les raccords et tuyaux sont installés comme illustré dans le diagramme de plomberie.
2. Assurez-vous que l'alimentation électrique est installée comme illustré dans le schéma électrique, et que le système est mis à la masse.
3. Assurez-vous que le commutateur de la thermopompe est à ON.
4. Vérifier le réglage de la température.
5. Vérifiez l'entrée et la sortie d'air.

## Fonctionnement prioritaire de l'horodateur/Fonctionnement du prolongateur d'horloge (Modèle onduleur uniquement)

**Réglage avancé** (seul un technicien d'entretien devrait effectuer ce réglage) - Met la pompe de piscine en marche, définit un délai de détection d'appel de chaleur.

1. Appuyez sur les boutons **LOCK** et **HOLD** pendant 3 secondes pour allumer l'écran.
2. Appuyez sur **FAN** et **+** pendant 5 secondes.
3. Le CODE "**PO**" s'affiche à l'écran, à une valeur de "0". **NOTE:** ces étapes doivent être réalisées en moins de 3 secondes l'une de l'autre, sinon il faut recommencer.
4. Appuyez sur le bouton **FAN** pour entrer le code de modification - appuyez sur le bouton **+** pour changer le code à "2".

Code de modification 2 - Contrôle de la minuterie et de la température de l'eau par les terminaux **P1** et **P2** (la valeur du code clignote). Le réglage de l'heure est **UNIQUEMENT** disponible lorsque **PO** est défini à la valeur "2". Sélectionnez une valeur de 10 à 120 minutes.

5. Appuyez sur le bouton **FAN** pour confirmer et quitter.
6. Appuyez sur le bouton **+** pour atteindre le code de modification suivant "**P1**".
7. Appuyez sur le bouton **FAN** puis sur le bouton **+** ou - pour modifier la durée, la valeur **PAR DÉFAUT** est de 60 min. **NOTE:** la valeur du code clignote.
8. Une valeur de 60 minutes est recommandée; vous pouvez sélectionner une valeur jusqu'à 120 minutes).
9. Appuyez sur le bouton **FAN** pour confirmer et quitter.
10. Appuyez sur le bouton **POWER** pour quitter.

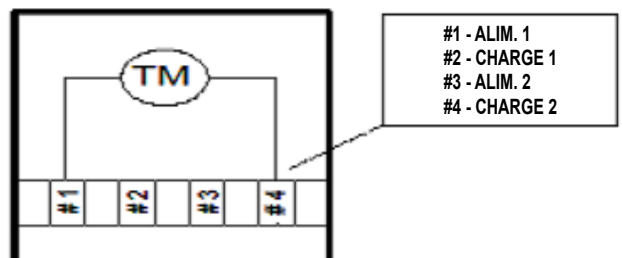


Figure 15. Minuterie simple



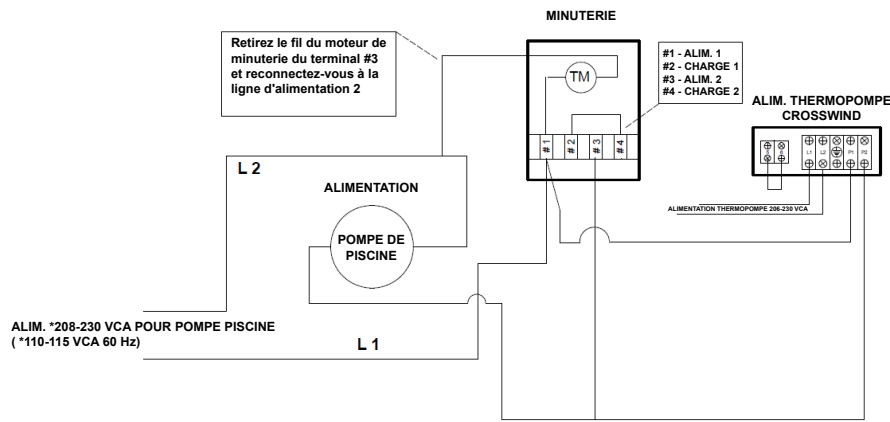


Figure 16. Réglage du contournement ou allongement de la minuterie (Modèle marche/arrêt uniquement)

### Thermopompe Crosswind 1 vitesse

Pour installer un contrôleur relié à son propre capteur de température pour le chauffage (HEAT).

1. Coupez l'alimentation électrique de la thermopompe.
2. Retirez les vis Phillips du couvercle supérieur de la thermopompe.
3. Pour accéder aux composants électriques, retirez les quatre (4) vis Philips du boîtier électrique. Voir **Figure 17**.
4. Repérez le connecteur du **CONTRÔLEUR D'AUTOMATISATION**. Voir **Figure 18**.
5. Pour installer le câble de contrôleur d'automatisation, couper et épisser le fil cavalier JAUNE du terminal **PROT1** au câble du contrôleur d'automatisation. Voir **Figure 19**.
6. Insérez environ 36 po (1 m) de câble à travers le conduit jusqu'à la carte électronique. Voir **Figure 20**.
7. Programmez la température de consigne à 40°C (104°F) – Appuyez sur la touche **HAUT** pour régler la température 40°C (104°F) ou à toute autre valeur **MAX** désirée.

**NOTE:** lorsque le contrôleur reçoit un appel de **CHAUFFAGE**, la thermopompe passe au mode **HEAT**.

Lorsque le contrôleur ne perçoit pas un appel de **CHAUFFAGE**, la thermopompe passe au mode **OFF**.

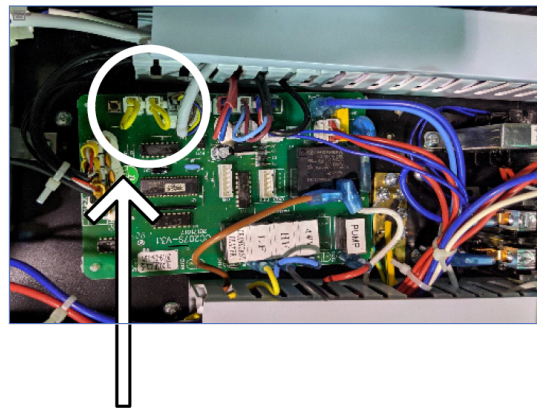


Figure 18. Connexion du câble du contrôleur d'automatisation

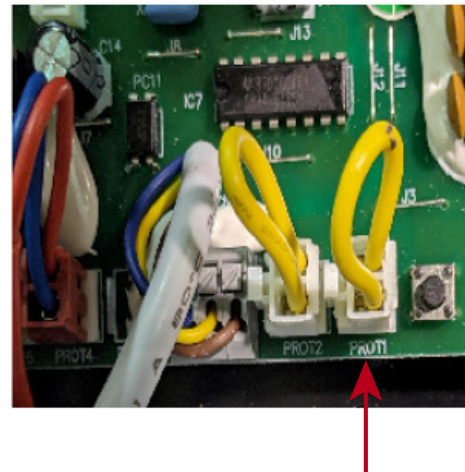


Figure 19. Installation du câble du contrôleur d'automatisation



Retirer les quatre vis du couvercle

Figure 17. Retrait des vis du boîtier électrique



Figure 20. Insérer le câble sur la carte (modèles 1 vitesse seulement)

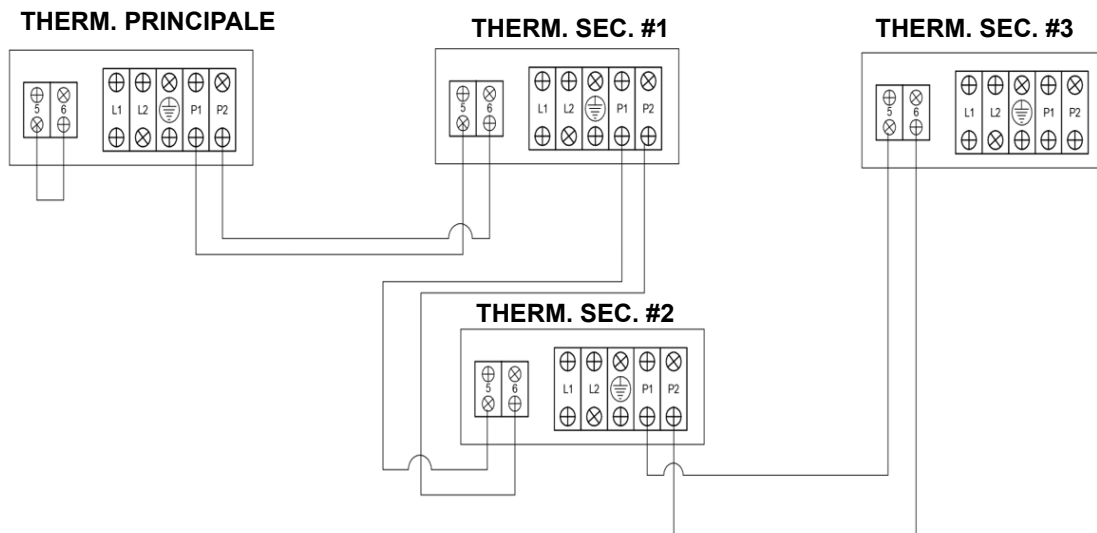


Figure 21. Câblage de la thermopompe principale (Modèle d'onduleur uniquement)

## Système multi-thermopompe

### POUR LE CHAUFFAGE À PLUSIEURS THERMOPOMPES AVEC APPAREIL PRINCIPAL ET APPAREILS SECONDAIRES.

Il faut modifier la programmation de la **thermopompe principale** et des **secondaires** dans un **système multi-thermopompes**.

1. Appuyez sur les boutons **LOCK** et **HOLD** pendant 3 secondes pour allumer l'écran.
2. Appuyez sur **FAN** et **+** pendant 5 secondes.
3. Le CODE "PO" s'affiche à l'écran, à une valeur de "0".  
**NOTE:** ces étapes doivent être réalisées en moins de 3 secondes l'une de l'autre, sinon il faut recommencer.
4. Appuyez sur le bouton **FAN** pour entrer le code de modification - appuyez sur le bouton **+** pour changer le code à "1". La valeur du code clignotera. Code de modification 1: contrôle de la température de l'eau par les bornes P1 et P2. Voir **Figure 21**.
5. Appuyez sur le bouton **FAN** pour confirmer et quitter.
6. Appuyez sur le bouton **POWER** pour quitter.
7. Le point de consigne des **APPAREILS SECONDAIRES** doit être réglé à 40°C (104°F):
  - a. Appuyez sur les boutons **LOCK** et **HOLD** pendant 3 secondes pour allumer l'écran.
  - b. Alors que l'écran est « déverrouillé », appuyez sur le bouton **+** pour élever le point de consigne à 40°C à (104°F).

## 8. DÉPANNAGE

Si les solutions ci-dessous ne fonctionnent pas, joignez votre revendeur local. Ne tentez pas d'effectuer la réparation vous-même.

Problème	Raison	Solution
La thermopompe ne fonctionne pas	Non alimenté en électricité.	Remettez l'appareil sous tension
	L'interrupteur est fermé	Ouvrez l'interrupteur
	Fusible brûlé	Remplacer fusible
	Disjoncteur déclenché	Réarmez le disjoncteur
Thermopompe fonctionne mais ne chauffe pas	Entrée d'air bloquée	Éliminer les obstructions
	Sortie d'air bloquée	Éliminer les obstructions
	Pause de protection 3 minutes	Attendez 3 minutes, elle se remettra en marche.
	Température trop basse	Réglez la température

Table G. Défauts courants

### Codes d'erreur

Code d'erreur	Description du défaut
E1	Pression trop élevée
E2	Pression trop basse
E3	Débit insuffisant
E4	Modèle monophasé: connexions PROT2 desserrée sur la carte électronique Modèle triphasé: déphasage
P1	Défaillance sonde de température
P2	Défaillance capteur de température d'évacuation (modèles à refroidissement seulement)
P3	Défaillance capteur de température échangeur, chauffage
P4	Défaillance capteur de température, sortie d'air
P5	Défaillance sonde de température de l'air
E6	Protection contre la surchauffe du compresseur 100°C (212°F) (modèles à chauffage seulement)
P7	Lorsque la température de l'air est inférieure à 0°C (32°F), l'appareil arrête ou passe au mode dégivrage (pas une panne).
CHALEUR clignote	Dégivrage en cours (pas une panne)

Table H. Codes d'erreur - Modèles une vitesse seulement

N°	Afficheur	Description d'état
1	E3	Protection manque d'eau
2	E5	Suralimentation électrique
3	E6	Écart de température excessif entre les raccords d'entrée et sortie (débit insuffisant)
4	Eb	Température ambiante trop basse ou élevée
5	Ed	Dégivrage
N°	Afficheur	Description du défaut
1	E1	Pression trop élevée
2	E2	Pression trop basse
3	E4	Modèle triphasé: déphasage
4	E7	Température de sortie d'eau trop élevée ou faible
5	E8	Température de sortie d'air trop élevée
6	EA	Surchauffe de l'évaporateur (mode refroidissement seulement)
7	P0	Échec de communication
8	P1	Défaillance sonde entrée d'eau
9	P2	Défaillance sonde sortie d'eau
10	P3	Défaillance du capteur de température, réfrigérant
11	P4	Défaillance capteur de température, sortie d'air
12	P5	Défaillance capteur de température, sortie d'air
13	P6	Défaillance capteur de température serpentin refroidissement
14	P7	Défaillance du capteur de température ambiante
15	P8	Défaillance capteur plaque de refroidissement
16	P9	Défaillance capteur de courant
17	PA	Échec redémarrage mémoire
18	F1	Échec module du compresseur
19	F2	Échec module PFC
20	F3	Échec démarrage compresseur
21	F4	Échec en fonctionnement
22	F5	Surintensité électrique, carte variateur de vitesse
23	F6	Surchauffe, carte variateur de vitesse
24	F7	Surintensité
25	F8	Surchauffe plaque de refroidissement
26	F9	Échec moteur du ventilateur
27	Fb	Aucune protection, filtre de l'alimentation
28	FA	Surintensité, module PFC

Table I. Codes d'erreur - Modèles à vitesse variable seulement

## 9. DONNÉES TECHNIQUES

**NOTE:** il s'agit des paramètres techniques inscrits au répertoire AHRI.

### Modèles à vitesse variable seulement

Paramètre	Modèles Crosswind à vitesse variable			
	30-I	40-I	50-I	65-I
Conditions météo: Air 27°C (80°F), eau 27°C (80°F), humidité 80%				
Capacité de chauffage (BTU/h)	27 850	33 500	44 750	61 000
Puissance de chauffage (BTU/H) en mode silencieux	24 000	29 600	35 000	42 000
Coefficient de performance	5,8	5,6	6,1	5,74
Conditions météo: Air 27°C (80°F), eau 27°C (80°F), humidité 63%				
Capacité de chauffage (BTU/h)	26 850	31 700	42 500	57 650
Puissance de chauffage (BTU/H) en mode silencieux	23 500	28 600	33 300	40 000
Coefficient de performance	5,55	5,50	5,8	5,3
Conditions météo: Air 10°C (50°F), eau 27°C (80°F), humidité 63%				
Capacité de chauffage (BTU/h)	16 590	17 750	21 000	24 500
Puissance de chauffage (BTU/H) en mode silencieux	15 500	17 750	21 000	24 500
Coefficient de performance	4,0	4,0	4,16	4,10
Puissance d'entrée nominale (kW)	1,15	1,26	1,28	1,55
Courant d'entrée nominal (A)	5,0	5,5	5,6	6,8
Alimentation électrique	208-230 VCA/1 Ph/60Hz			
Réfrigérant (R410A) (en oz.)	28,2	31,7	38,8	45,9
l'écoulement de l'eau GPM (L/min)	13,2~17,7 (50~67)	17,7~26,4 (67~100)	21,9~30,6 (83~116)	28,5~37,5 (108~142)
Puissance acoustique à 3 m dB(A)	33,4~45,2	33,6~45,5	34,9~45,0	38,2~49,3
Échangeur de chaleur	Titane / PVC			
Boîtier	ABS			
Sortie d'air	À l'horizontale			
Conduites d'eau	PVC 1-1/2" (50 mm)			
Dimensions hors-tout	<b>Voir Tableau C à la page 10.</b>			
Poids net				

W\* Les valeurs indiquées sont valables dans des conditions idéales: piscine bien couverte, système de filtration fonctionnant au moins 15 heures par jour.

**Table J. Données techniques - Modèles à vitesse variable**

## Modèles à une vitesse

Paramètre	Modèles Crosswind à une vitesse		
	40-O	50-O	65-O
Conditions météo: Air 27°C (80°F), eau 27°C (80°F), humidité 80%			
Capacité de chauffage (BTU/h)	35 900	46 500	55 100
Coefficient de performance	5,21	5,40	5,71
Conditions météo: Air 27°C (80°F), eau 27°C (80°F), humidité 63%			
Capacité de chauffage (BTU/h)	34 100	44 100	51 800
Coefficient de performance	5,03	5,07	5,29
Conditions météo: Air 10°C (50°F), eau 27°C (80°F), humidité 63%			
Capacité de chauffage (BTU/h)	20 500	26 000	33 800
Coefficient de performance	3,31	3,17	3,45
Puissance d'entrée nominale (kW), air à 27°C (80°F)	1,65	2,3	2,6
Courant d'entrée nominal (kW), air à 27°C (80°F)	7,7	10,8	11,8
Alimentation électrique	208-230V/1Ph/60Hz		
Capacité minimale (A)	12	16	17,2
l'écoulement de l'eau GPM (L/min)	17,7~26,4 (67~100)	21,9~30,6 (83~116)	28,5~37,5 (108~142)
Puissance acoustique à 3 m dB(A)	41,50	41,70	42,40
Échangeur de chaleur	Titane / PVC		
Boîtier	ABS		
Sortie d'air	À l'horizontale		
Conduites d'eau	PVC 1-1/2" (50 mm)		
Dimensions hors-tout	Voir Tableau C à la page 10.		
Poids net			

Dans le cadre de nos activités d'amélioration continue, les données techniques sont modifiables sans préavis. Pour plus de détails, consultez la plaque signalétique.

**Table K. Données techniques - Modèles à une vitesse**

## 10. PIÈCES DE RECHANGE

**NOTE:** pour vous assurer de recevoir la bonne pièce, il est important de fournir le numéro de modèle, le numéro de série et le type de gaz (si appareil à combustible).

FABRICANT:

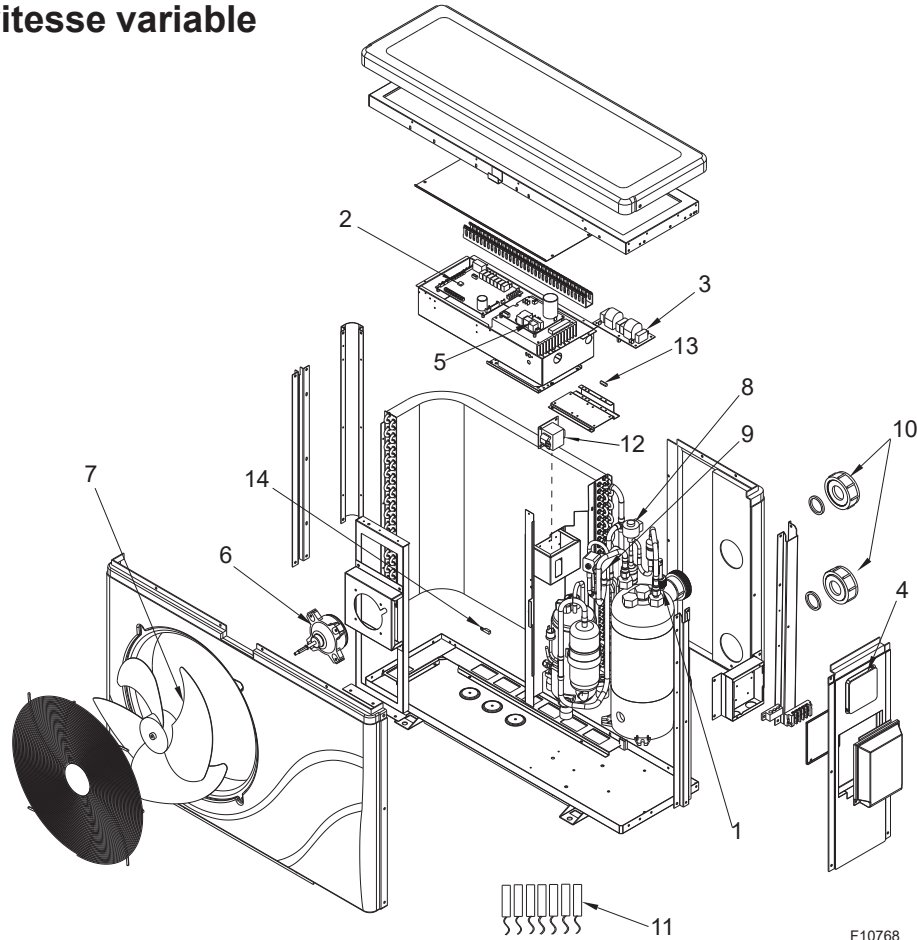
Raypak, Inc.  
2151 Eastman Avenue  
Oxnard, CA 93030

1-800-260-2758

Toute pièce retournée pour remplacement en vertu de la garantie standard de la thermopompe doit porter une étiquette de retour complète indiquant le numéro de série, le numéro de modèle, etc., et expédiée en port prépayé. Si nous déterminons que la pièce est défectueuse dans les limites de la garantie, une pièce identique ou équivalente vous sera envoyée, port dû. Nous n'émettons pas de note de crédit.

# 11. LISTE DE PIÈCES ILLUSTRÉE

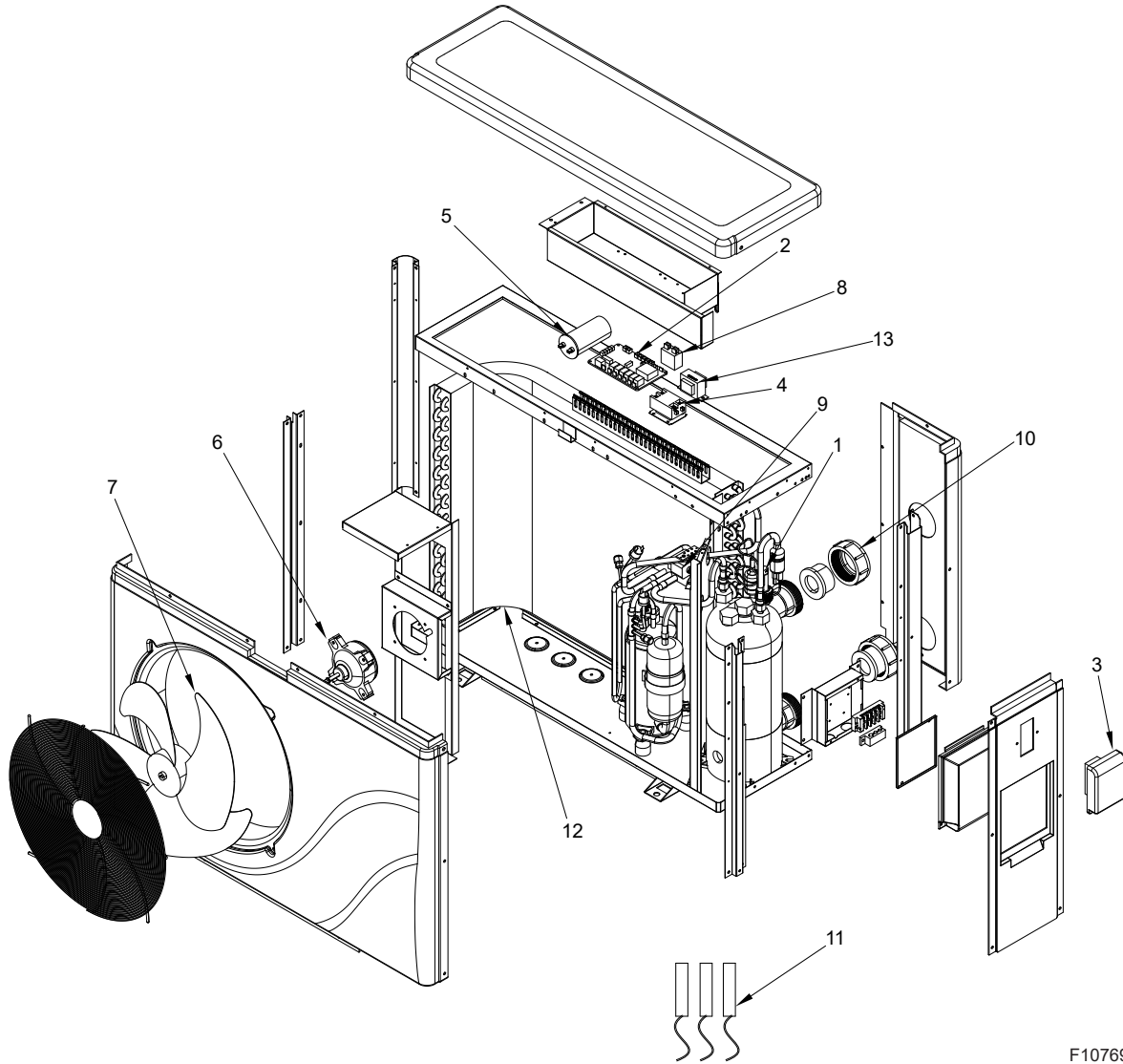
## Modèles à vitesse variable



F10768

Item	Description	Crosswind-30-1	Crosswind-40-1	Crosswind-50-1	Crosswind-65-1	N° pièce instructions
1	Débitmètre	018146F	018146F	018146F	018146F	241808
2	Carte électronique	018147F	018204F	018179F	018180F	241809
3	Plaque du filtre d'alimentation	018148F	018148F	018148F	018148F	241810
4	Contrôleur clavier	018149F	018149F	018149F	018149F	241811
5	Carte de l'onduleur	018351F	018351F	018352F	018150F	241812
6	Moteur ventilateur	018151F	018151F	018151F	018151F	241813
7	Pales ventilateur	018152F	018152F	018152F	018152F	241814
8	Vanne d'expansion électronique	018153F	018153F	018153F	018153F	241815
9	Relais de vanne 4 voies	018154F	018154F	018154F	018161F	241816
10	Unions et joints toriques	018155F	018155F	018155F	018155F	241817
11	Tous les capteurs	018157F	018157F	018157F	018157F	241819
12	Induction de précision	018158F	018158F	018158F	018162F	241820
13	Fusible	018159F	018159F	018163F	018164F	241821
14	Kit de vidange	018160F	018160F	018160F	018160F	241822

Modèles à une vitesse



F10769

Item	Description	Crosswind-40-0	Crosswind-50-0	Crosswind-65-0	N° pièce instructions
1	Débitmètre	018146F	018146F	018146F	241808
2	Carte électronique	018165F	018165F	018165F	241809
3	Module à écran à DEL	018166F	018166F	018166F	241823
4	Contacteur	018167F	018167F	018167F	241824
5	Condensateur du compresseur	018168F	018350F	018350F	241825
6	Moteur ventilateur	018169F	018169F	018177F	241813
7	Pales ventilateur	018152F	018152F	018170F	241814
8	Condensateur du ventilateur	018171F	018171F	018172F	241826
9	Vanne à 4 voies	018173F	018174F	018174F	241816
10	Unions et joints toriques	018155F	018155F	018155F	241817
11	Ensemble de capteurs	018176F	018176F	018176F	241819
12	Kit de drainage	018160F	018160F	018160F	241822
13	Transformateur	018178F	018178F	018178F	241828

## 12. GARANTIE

### GARANTIE LIMITÉE

(Pour les modèles à onduleur uniquement)  
THERMOPOMPE CHAUFFE-PISCINE CROSSWIND À ÉVACUATION LATÉRALE  
(tous les modèles)  
Canada (toutes les provinces et territoires)

#### PORTÉE DE LA GARANTIE

Raypak, Inc. (« Raypak ») garantit au propriétaire initial que la thermopompe à évacuation latérale Crosswind vendue avec ce certificat de garantie limitée (« la thermopompe »), installée dans l'une des provinces ou l'un de territoires du Canada, avec une piscine ou un spa par un installateur dûment autorisé, sera exempte de défauts de matériaux et de fabrication si utilisée et entretenue dans des conditions normales pour toute la période de garantie applicable. Conformément aux conditions de cette garantie limitée, Raypak réparera ou remplacera, à sa discrétion, la thermopompe ou les composants défectueux, si la défaillance survient en condition normale d'utilisation et d'entretien pendant la période de garantie applicable. L'appareil réparé ou remplacé n'est garanti que pendant la partie non utilisée de la période de garantie d'origine applicable.

#### DATE D'ENTRÉE EN VIGUEUR

La date d'entrée en vigueur de cette garantie limitée est la date de l'installation originale si elle est bien documentée. Si vous ne pouvez fournir une preuve documentaire de la date d'installation originale, la date d'entrée en vigueur sera la date de fabrication plus trente (30) jours, sans ne pouvoir excéder de plus un (1) an la date de fabrication. Toutes les périodes de garantie applicables spécifiées dans la présente garantie limitée sont calculées à partir de la date d'entrée en vigueur.

#### PÉRIODES DE GARANTIE APPLICABLE - SANS ENREGISTREMENT

Si la thermopompe est installée avec une piscine ou un spa, la période de garantie applicable, pièces et main-d'œuvre, est de quatre-vingt-dix (90) jours à compter de la date d'entrée en vigueur pour la thermopompe et ses composants.

#### PÉRIODE DE GARANTIE PROLONGÉE - RÉPARATEUR PROFESSIONNEL / CONSTRUCTEUR

Si la thermopompe est installée par un installateur dûment autorisé avec la piscine ou le spa d'une habitation unifamiliale (avec le reçu d'installation joint à l'enregistrement) et enregistré auprès de Raypak ([www.raypak.com](http://www.raypak.com)) dans les quatre-vingt-dix (90) jours suivant la date d'entrée en vigueur, les périodes de garantie applicables sont d'un (1) an, pièces et main-d'œuvre inclus; et de deux (2) ans pour les pièces seulement, sans couverture pour la main-d'œuvre la deuxième année. Nonobstant ce qui précède, le tube en titane de l'échangeur de chaleur est garanti sept (7) ans à compter de la date d'entrée en vigueur, sans couverture pour la main-d'œuvre de la deuxième à la septième année. Si la thermopompe est installée ailleurs que dans une habitation unifamiliale, la période de garantie applicable à la thermopompe et aux pièces est limitée à un (1) an, pièces et main-d'œuvre.

#### COÛTS DE MAIN-D'ŒUVRE ET D'EXPÉDITION

La présente garantie limitée prend en charge les coûts raisonnables de main-d'œuvre pour les réparations ou les remplacements à condition que lesdits remplacements ou réparations soient faits par un fournisseur de services désigné Raypak pendant la période de garantie applicable et après autorisation par Raypak. Cette garantie limitée ne couvre PAS les réfrigérants ou autres matières consommables. Cette garantie limitée ne couvre PAS le temps de déplacement et autres coûts de main-d'œuvre. De plus, cette garantie limitée NE couvre PAS les frais de transport entre le site d'installation et le fournisseur de service désigné par Raypak, à moins que la législation provinciale ne prévoie des dispositions contraires. Tous les coûts et dépenses énumérés ci-dessus sont la responsabilité du client, à moins que la législation provinciale ne prévoie des dispositions contraires.

#### EXCLUSIONS DE GARANTIE

La garantie limitée NE S'APPLIQUE PAS DANS LES CAS SUIVANTS:

1. si la thermopompe a été déplacée de son lieu d'installation d'origine ou si le détenteur d'origine n'est plus propriétaire du lieu d'installation d'origine;
2. si la thermopompe n'est pas installée correctement sur la piscine ou le spa par un installateur agréé et conformément aux codes et règlements locaux en vigueur, aux règles de l'art et aux consignes d'installation du fabricant;



3. si la plaque signalétique ou le numéro de série ont été modifiés ou effacés;
4. si la thermopompe a été modifiée de quelque manière que ce soit, ou si des accessoires ou composants non autorisés sont utilisés avec le produit;
5. en cas de dommage, de défectuosité ou de défaillance causés par une mauvaise installation ou utilisation, par un mauvais entretien ou par tout autre usage non conforme aux instructions du fabricant;
6. en cas de dommage, défectuosité ou défaillance résultant d'une utilisation abusive, d'une catastrophe naturelle, d'un accident, d'un incendie, d'une inondation, du gel, de la foudre ou autre;
7. en cas de dommage, défectuosité ou défaillance causés par des dispositifs de commande connectés au système, y compris les chlorateurs au sel mal installés;
8. en cas de problème de rendement causé par un choix inadéquat de capacité pour la thermopompe, l'alimentation électrique, le câblage ou les dispositifs de protection électrique;
9. les dommages, défectuosités ou défaillances causés par toute modification, y compris l'utilisation d'accessoires comme, entre autres, un dispositif d'économie d'énergie qui n'aurait pas été autorisé par le fabricant;
10. les dommages, défectuosités ou défaillances résultant d'une mauvaise utilisation ou de négligence comme, entre autres, l'exposition au gel, faire fonctionner la thermopompe sans sa porte, la présence de restrictions à l'écoulement ou d'obstacles entre la sortie de la thermopompe et la piscine/spa.

**COMMENT PRÉSENTER UNE RÉCLAMATION DE GARANTIE** (Pour les modèles à onduleur uniquement)

Aviser Raypak sans retard au 800-260-2758, en fournissant le numéro de modèle, le numéro de série, la date d'installation originale et la description du problème. Une autorisation DOIT être obtenue PRÉALABLEMENT à toute réparation pour faire valoir la garantie limitée. La garantie limitée est NULLE si le produit est réparé ou modifié par TOUTE AUTRE PERSONNE OU ENTREPRISE que celles autorisées par Raypak. Raypak se réserve en tout temps le droit d'inspecter la thermopompe ou d'exiger son retour ou celui du composant défectueux, et d'établir lui-même la couverture de garantie en usine. Le service au titre de la garantie NE SAURAIT ÊTRE amorcé tant que la couverture effective de la garantie n'aura pas été établie.

**GARANTIE EXCLUSIVE - LIMITE DE RESPONSABILITÉ LA GARANTIE LIMITÉE EST LA SEULE GARANTIE FOURNIE PAR RAYPAK EN LIEN AVEC L'APPAREIL DE CHAUFFAGE ET SES COMPOSANTS. NUL N'EST AUTORISÉ À OFFRIR D'AUTRES GARANTIES AU NOM DE RAYPAK. AUCUNE GARANTIE IMPLICITE, NOTAMMENT DE QUALITÉ MARCHANDE OU D'APTITUDE À RÉPONDRE À UN USAGE PARTICULIER, NE SAURAIT ÊTRE INTERPRÉTÉE DANS UN SENS QUI DÉPASSE LES PÉRIODES DE GARANTIE APPLICABLES ÉNONCÉES DANS LA PRÉSENTE.**

**LA SEULE RESPONSABILITÉ DE RAYPAK EN CAS DE DÉFAILLANCE EST EXPOSÉE DANS LA PRÉSENTE GARANTIE LIMITÉE. IL EST CONVENU QUE RAYPAK N'ASSUME AUCUNE RESPONSABILITÉ, DANS LE CADRE DE CETTE GARANTIE LIMITÉE OU PAR CONTRAT, RESPONSABILITÉ CIVILE, NÉGLIGENCE OU AUTRE, EN CAS DE DEMANDES DE DOMMAGES-INTÉRÊTS SPÉCIAUX, ACCESSOIRES OU CONSÉCUTIFS (Y COMPRIS AUCUNE RESPONSABILITÉ EN CAS DE FUITE D'EAU), QUI SONT ICI EXPRESSÉMENT EXCLUES, MÊME SI LE RECOURS LIMITÉ FAIT DÉFAUT À SA VOCATION ESSENTIELLE. COMME CERTAINES PROVINCES NE PERMETTENT PAS DE LIMITE DE DURÉE POUR LA GARANTIE IMPLICITE OU POUR L'EXCLUSION DE DOMMAGES ACCESSOIRES OU CONSÉCUTIFS, IL SE PEUT QUE LES LIMITES OU EXCLUSIONS CI-DESSOUS NE S'APPLIQUENT PAS À VOTRE CAS. CETTE GARANTIE LIMITÉE CONFÈRE AU CLIENT DES DROITS JURIDIQUES PARTICULIERS, QUI PEUVENT IMPLIQUER DES DROITS AFFÉRENTS OU VARIER SELON LA JURIDICTION.**

Il est recommandé d'inscrire immédiatement le modèle, le numéro de série et la date originale d'installation, et de conserver ce certificat de garantie pour pouvoir éventuellement faire une demande de service au titre de cette garantie.

**NE PAS RETOURNER CE DOCUMENT À RAYPAK. CONSERVEZ-LE AVEC LA THERMOPOMPE OU POUR VOS DOSSIERS.**

Enregistrez votre produit sur [www.raypak.com/warranty](http://www.raypak.com/warranty)

