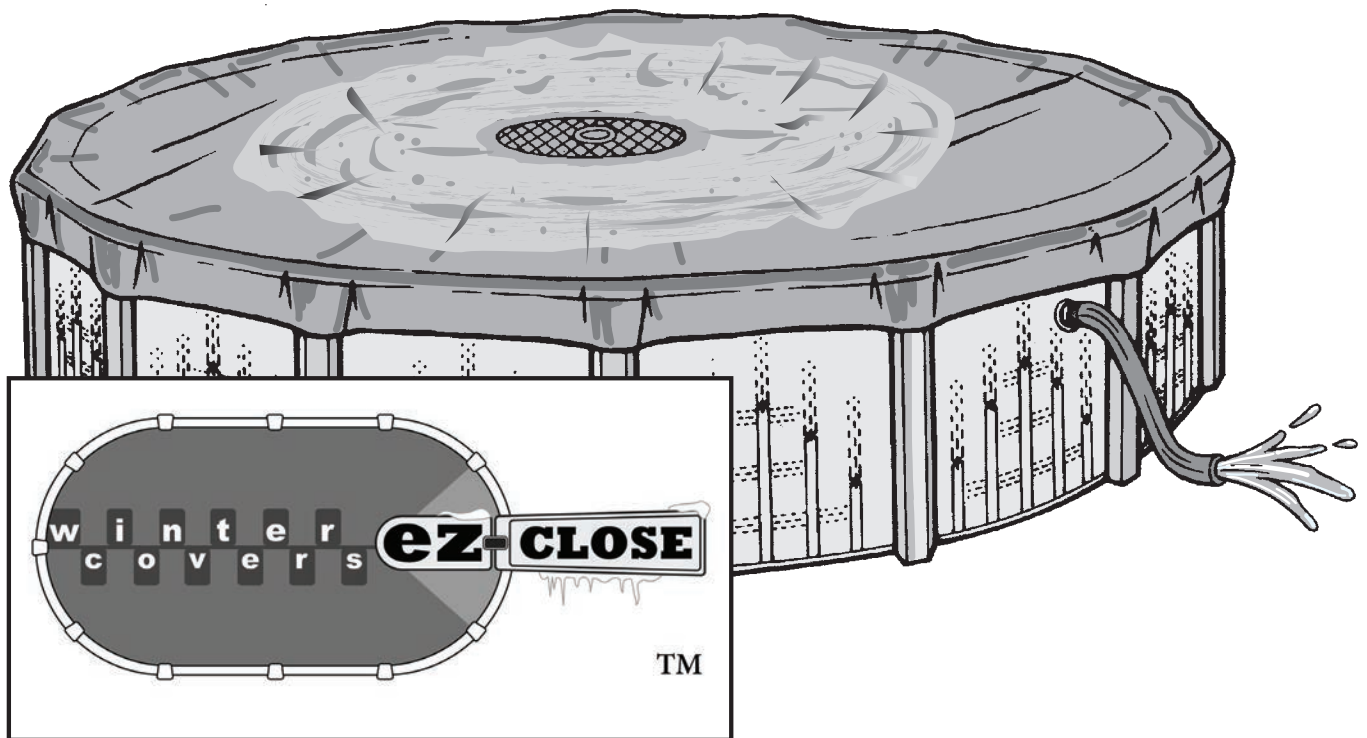




AUTO DRAINING WINTER COVER

FOR ABOVEGROUND POOLS

If it doesn't have a Continuous Barrier
then it's not an EZ Drain!



**THE WORLD'S EASIEST
WINTER COVER TO INSTALL**



EZ DRAIN™ Auto Draining Winter Cover
FOR ABOVEGROUND POOLS

PRE INSTALLATION CHECK LIST

- Confirm that your pool is compatible with the EZ Drain™ Winter Cover System (See next page)

ITEMS REQUIRED

WHERE IT IS PACKED?

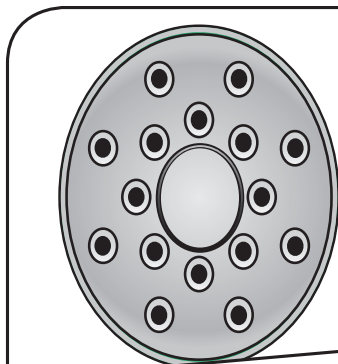
- | | |
|--|--|
| <input type="checkbox"/> EZ-Drain™ Cover and Cable | In the cover box |
| <input type="checkbox"/> Cable Fastener | In the cover box |
| <input type="checkbox"/> Cover Connection Kit | In the cover box |
| <input type="checkbox"/> Tension Clips | In the cover box |
| <input type="checkbox"/> Drain Hose | In the cover box |
| <input type="checkbox"/> Skimmer Winterizing Plate | <u>This item is Sold separately</u> |

If you have everything listed above you are ready to install your EZ Drain™ Winter Cover.

INSTALLATION INSTRUCTIONS

1 WATER PREPARATION

- Thoroughly clean and vacuum pool prior to adding winter chemicals.
- Adjust pH level to 7.2-7.6.
- Add only winter grade chemicals.
- Never use chlorine based chemicals when winterizing because chlorine is a gas and the chlorine vapors will damage your cover.



For use in Pools with Vinyl Liners Only!

Ask your Pool Dealer about the Chlor-No-More® Winterizing Orb

1 STEP

WINTER WATER TREATMENT

- Place Orb in skimmer
- Run filter for 3 to 12 hours
- Remove empty Orb and throw away
- Cover your pool

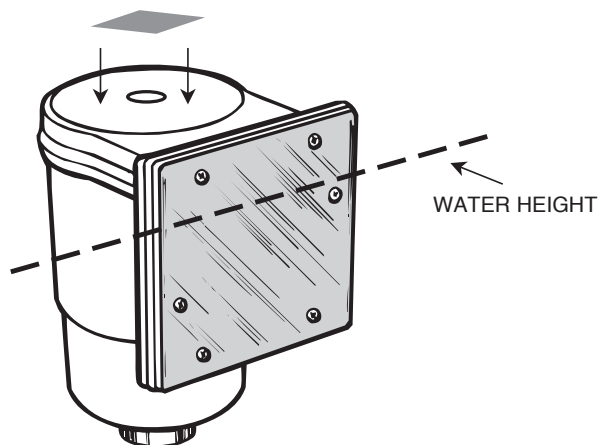
2 SKIMMER PREPARATION FOR STAINLESS STEEL WINTER PLATE

- Remove screws from skimmer faceplate that match holes on the ICE GUARD winter plate. **DO NOT REMOVE ALL SCREWS FROM SKIMMER.**
- Place gasket and ICE GUARD winter plate over skimmer face plate and align properly.
- Secure foam gasket and ICE GUARD winter plate to skimmer with provided screws. **DO NOT OVER TIGHTEN SCREWS.**
- Apply a piece of duct tape (not included) to hole on top of skimmer cover.

INITIAL INSTALLATION FOR ALL SEASONS™ FRAME AND PLATE KIT:

- Lower the water level below the skimmer box.
- Remove the current skimmer faceplate from the skimmer body and hold skimmer in place. This will be easier with 2 people.
- Remove the old rubber gasket from the skimmer box.
- Install new rubber gasket and new face plate from the All Season Frame Kit.
- Attach the new All Season face plate with new skimmer screws from All Season Frame Kit.
- Once the new face plate is attached, install the new winter gasket, then install the new All Season Plate using the machine screws provided in the All Season Kit screwing them into the threaded holes.

APPLY DUCT TAPE TO HOLE



3 CONVERTING YOUR RETURN FITTING TO A DRAIN PORT

Remove directional return from pool wall. Your directional return consists of 3 components: (1) Locking Ring; (2) Ball; (3) Ball seat

- a. Remove locking ring
- b. Remove eyeball
- c. Insert seat removal tool into ball seat

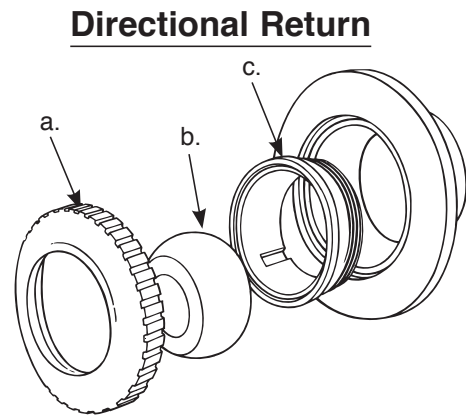
Turn counter clockwise until ball seat is completely removed

After directional return has been removed, you should have a 1-1/2" opening with female threads exposed.

Prepare your hose adapter fitting by putting Teflon Tape around the threads. Then screw fitting into opening in wall. **HAND TIGHTEN ONLY.**

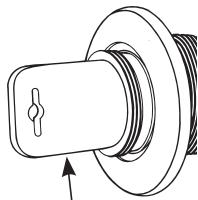


Remove Directional Return from Thru Wall Fitting.



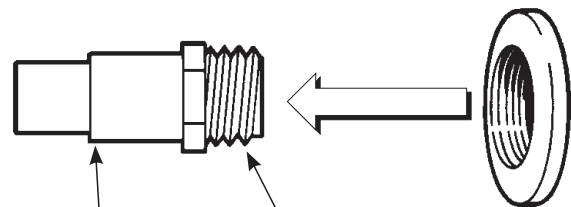
Directional Return

Using seat removal tool



Insert seat removal tool into ball seat
Turn counter clockwise until ball seat is completely removed

Insert Hose adapter fitting

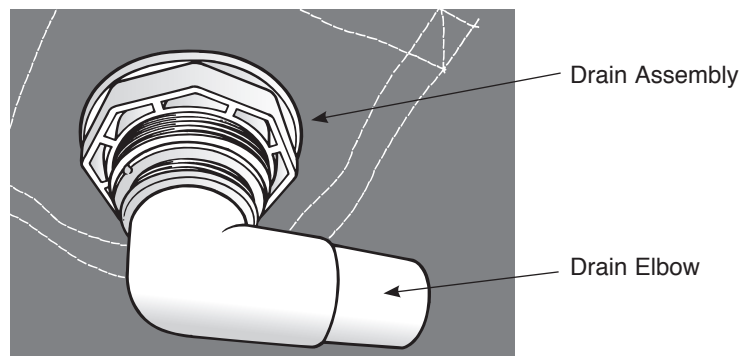


Hose Adapter

Use Teflon tape on threads

4 INSTALL THE DRAIN ELBOW IN BASE OF THE DRAIN ASSEMBLY

Located under your EZ Drain™ Cover.
Use Teflon tape on threads.
Hand tighten only.

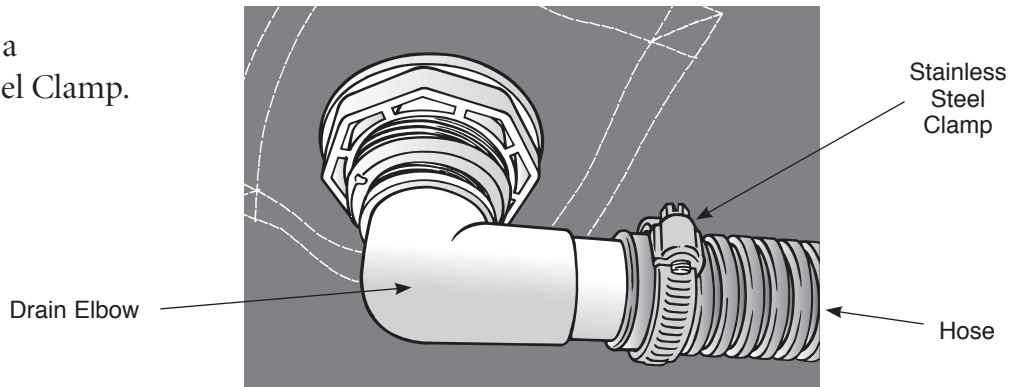


Drain Assembly

Drain Elbow

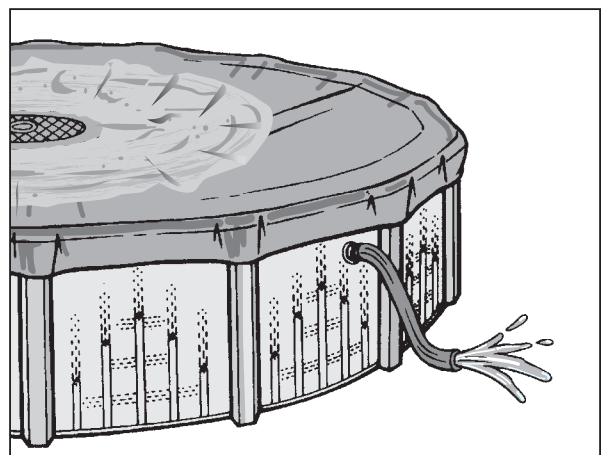
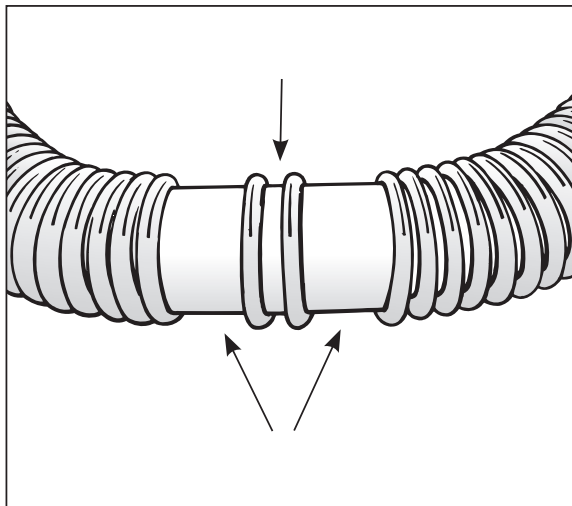
5 CONNECT ONE END OF THE DRAIN HOSE TO DRAIN ELBOW YOU JUST INSTALLED

Secure with a
Stainless Steel Clamp.



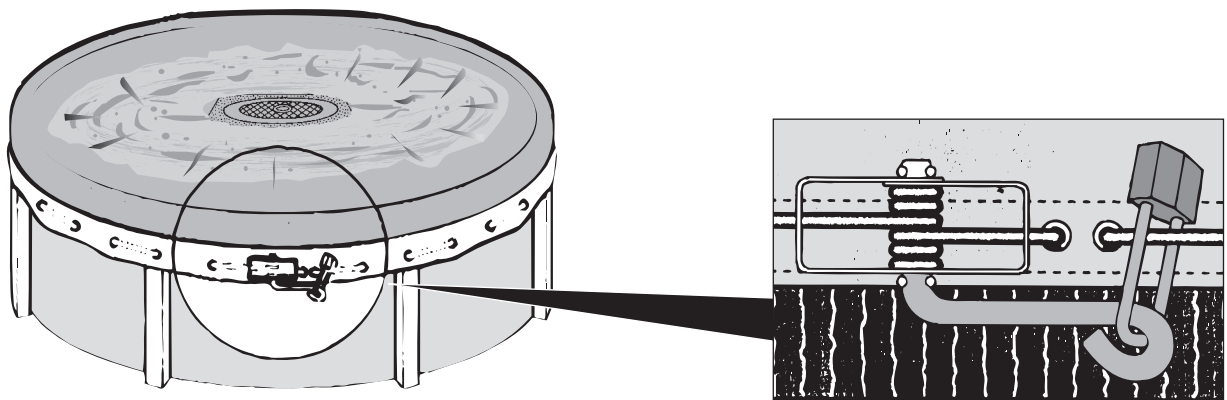
6 INSTALLING COVER ON POOL

- a. Unpack cover and fold in half.
- b. Place cover over half of pool with drain assembly and hose in center.
- c. Use cover tension clips to hold cover in place temporarily.
- d. Cut hose between cuffs to correct length.
Hose should be as straight as possible but not taut.
- e. Attach hose to hose adapter in wall.
- f. Secure with a Stainless Steel clamp.
- g. Fold cover over to cover entire pool.
Use cover tension clips to hold cover in place temporarily.
- h. Weave cable through grommets around perimeter of cover. Exposed cable should be over the larger distance between grommets.
- i. Attach a hose (not supplied) to hose fitting on outside of pool to drain water away from pool site.



7 SECURE CABLE USING THE CRANK AND LOCK (Supplied with your Cover)

- a. Place Cable (supplied with Pool Cover) through grommets in pool cover.
- b. Your Crank'n Lock is used to tighten cable and cover around outside of pool, as shown below.
- c. Place one end of cable, now threaded in cover, through hole on left side of Crank'n Lock winch outer frame, and other end of cable through hole on right side of winch frame.
- d. Pass left cable through top hole in center shaft and right cable through bottom hole in center shaft. Pull tight to remove slack.
- e. Slowly turn handle on winch to wrap cable around center shaft until cable is tight. **DO NOT OVER TIGHTEN!** Once cable is tight, place lock through handle and cable shown below and secure.



8 BASIC WINTER MAINTENANCE

- a. Your new EZ Drain™ winter cover system is designed to reduce maintenance during the winter by automatically removing excess water. Your cover's continuous barrier will maintain enough water on top of the cover to protect it from wind damage. To ensure that the cover's drain system will work correctly, you will need to periodically check the following:
 - The height of the water in your pool (adjust if necessary)
 - Accumulation of debris on or around drain
(Debris can easily be removed with a Swimming Pool Leaf Rake)
 - Tension clips (adjust if necessary so that water flows towards drain)
 - Cable and fastener (inspect and adjust if necessary)
- b. Please note that your new EZ Drain™ cover system cannot drain if the pool is frozen. However, as soon as the weather is warm enough to melt the ice, the drain will automatically start working again.



AUTO DRAINING WINTER COVER

TROUBLE SHOOTING GUIDE

PROBLEM	SOLUTION
Cover Not Draining	Make sure water level is at normal operating height by using a winterizing plate (See #2)
Water level in pool too low	Add water to pool
Too many leaves/debris on cover	Clear off debris
Water on cover frozen	Wait for ice to melt
Hose under cover too long	Cut hose to size (See #6)
Hose became disconnected	Reconnect hose (See #4 and #6)
Hose outside of pool blocked	Clear out hose
Water seeping up from pool through cover NORMAL	Stitch seams will expand and seal stitched holes

TOO MUCH WATER ON COVER

Cover not flat on pool	Adjust with tension clips
Folds on cover	Pull tight and adjust with tension clips
Debris on cover	Clear off debris