

ASSEMBLE Top Seat, Vertical and Cover

10 FRAME

For 54" depth pools only.

b) PRE-ASSEMBLING Vertical Extension

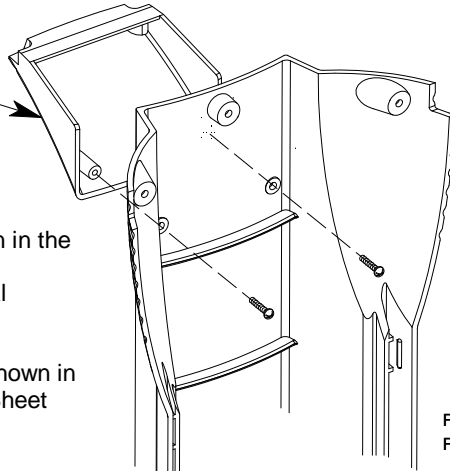
Put 10in Resin Vertical Extension use three #12 Sheet Metal Screw .

a) PRE-ASSEMBLING VERTICALS

P.No.2492
10in Seat Cover Bracket

Put cover bracket as shown in the figure.
Tighten up #12 Sheet Metal Screw.

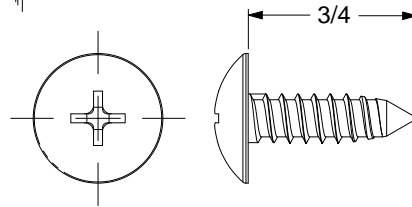
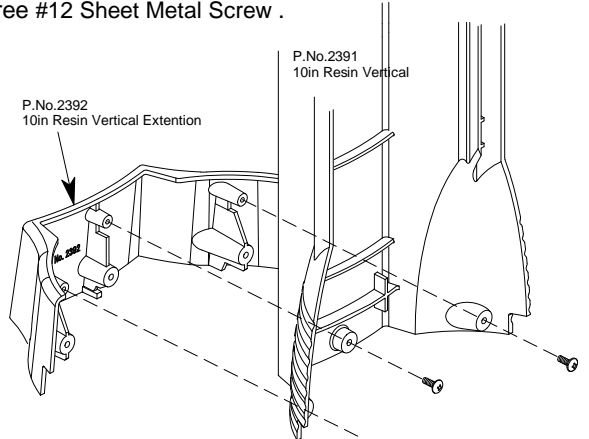
Put Resin Upper Joint as shown in the Figure,tighten up #12 Sheet Metal Screws.



P.No.2392
10in Resin Vertical Extension

P.No.2391
10in Resin Vertical

For 5/8in Rail P.No.2192 10in Resin Upper Joint
For 1in Rail P.No.2193 10in Resin Upper Joint



P.No.0341
#12 Sheet Metal Screw

c) INSTALLING VERTICALS

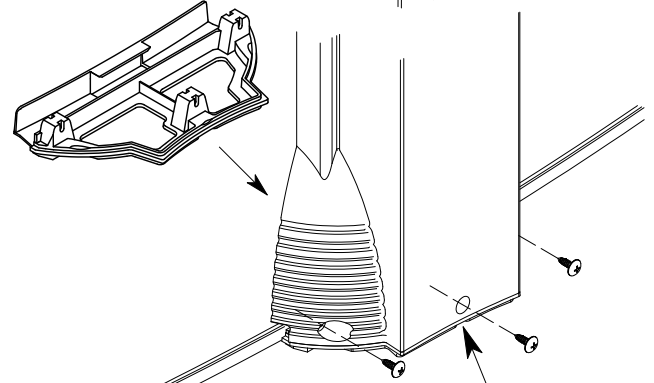
Hook Assembled Resin Upper Joint over the top rail. Secure the bottom of vertical to Resin Lower Joint by #12 Sheet Metal Screws, Continue installing verticals in this manner All around the pool.

Attention!
Similar to Upper Joint

d) INSTALLING TOP SEATS

Place each of the top seat over the upper joints and secure with 1 5mmx16 Sheet Metal Screw.

Install all of top seat in this way around entire pool.
Top seat are installed between verticals.
Each end of top seat rest on upper joint and attached to it.
It may be necessary to move the complete verticals slightly to left or right to accommodate the top seat.
Do this carefully as not disturb the earth mound, Check all screws to be sure they are tight.

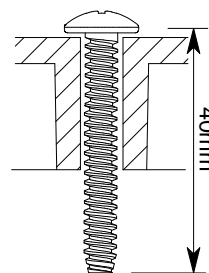


For 5/8in Rail P.No.2292 10in Resin Lower Joint
For 1in Rail P.No.2293 10in Resin Lower Joint

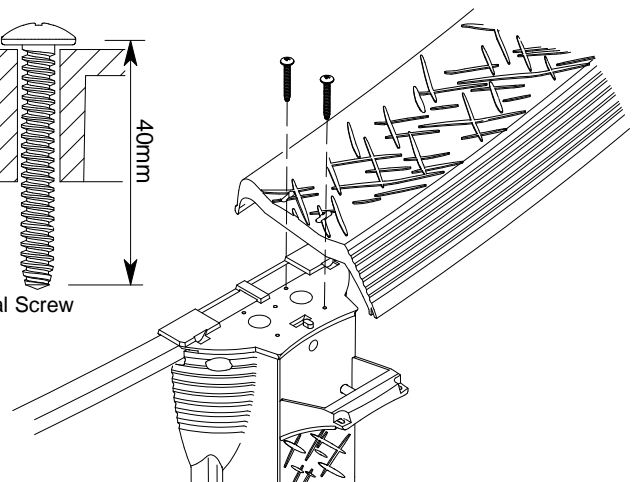
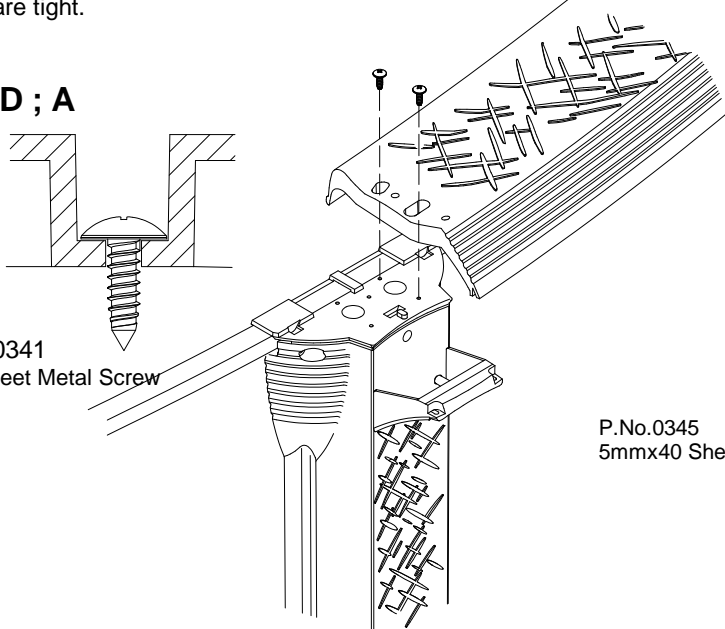
END ; A

P.No.0341
#12 Sheet Metal Screw

END ; B



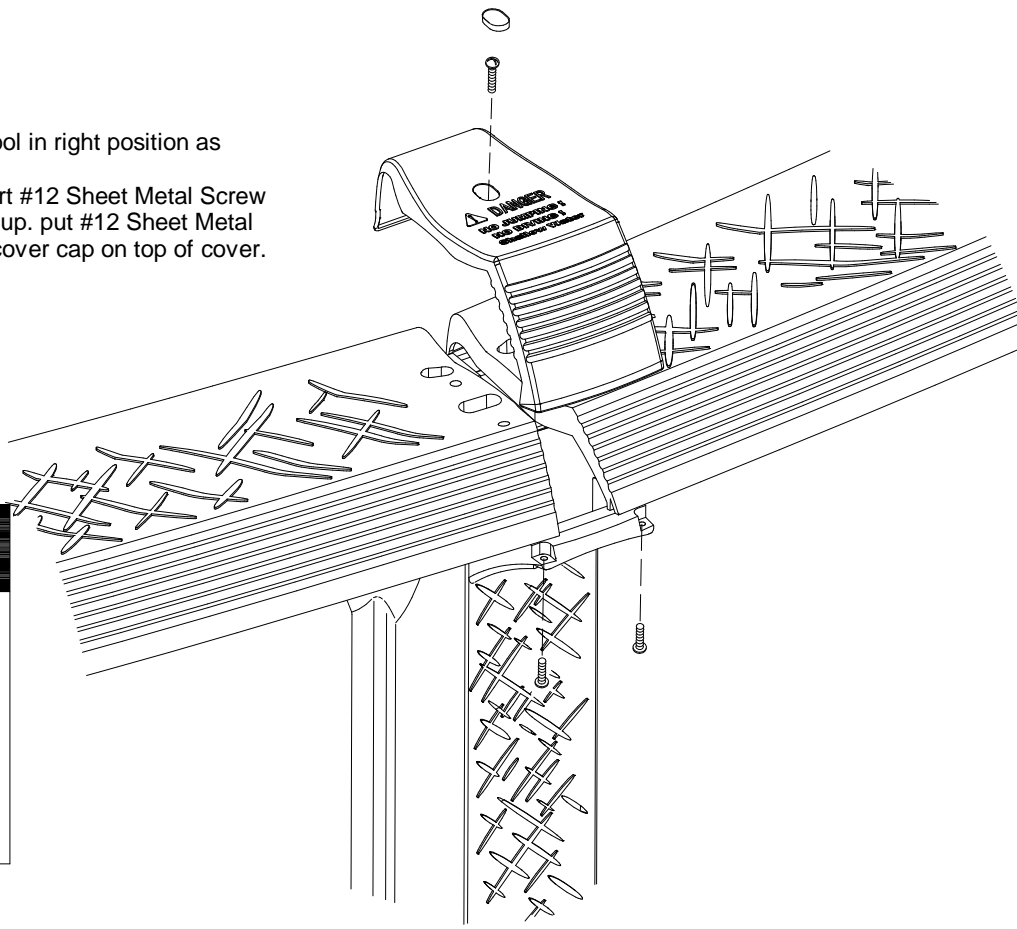
P.No.0345
5mmx40 Sheet Metal Screw



d) INSTALLING SEAT COVERS

Attach seat cover by placing it from inside of pool in right position as shown in the figure.

put seat cover and cover bracket together, Insert #12 Sheet Metal Screw from cover bracket to seat cover, and tighten it up. put #12 Sheet Metal Screw to seat cover and tighten it up. put seat cover cap on top of cover.



! DANGER

ALL THESE POOLS ARE DESIGNED FOR SWIMMING ONLY.
THEY MUST NOT BE USED FOR JUMPING OR DIVING.

DO NOT
JUMP

DO NOT
DIVE

PERMANENT INJURY OR DEATH CAN RESULT.

FOR OVAL POOL ONLY

e) INSTALLING OVAL SIDE TOP SEATS AND SIDE SEAT COVERS.

use #12 Sheet Metal Screw to Install oval side top seats on top of Resin side upper joint P.No.3177. then attach side seat cover by placing it from inside of pool in right position as shown in the figure.

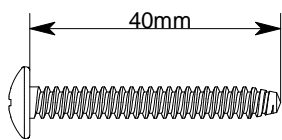
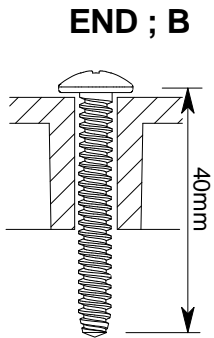
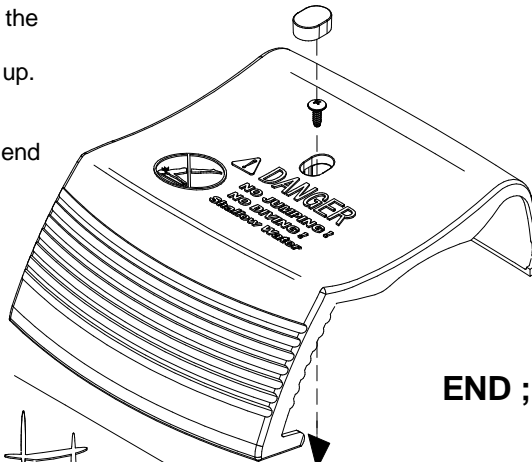
Put #12 Sheet Metal Screw to side seat cover and tighten it up. put seat cover cap on top of side seat cover.

10' and 12'width ovals use different screws for right and left end of the top seat.

Please refer section. "d) Installing top seat "

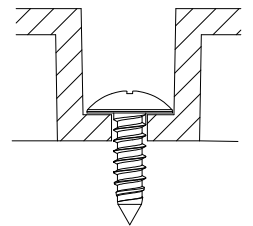
End A use P.No.0341 #12 Sheet Metal Screw

End B use P.No.0345 5mmx40 sheet metal screw.



P.No.0345
5mmx40 Sheet Metal Screw

END ; A



P.No.0341
#12 Sheet Metal Screw