

HumminGuru™ S-DUO

Paper Model



HumminGuru™

This paper model is designed to test the compatibility of your turntable stylus on the HumminGuru S-DUO. Each S-DUO comes with 3 types of stylus rubber supports that can be used to accommodate with different stylus. Please follow the instruction below to evaluate whether your stylus would fit in with the rubber supports.



HumminGuru™ S-DUO

Instruction:

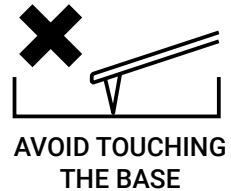
This paper model is 1:1.
Print this page with 100% scale (DO NOT Scale)
Follow the cut line and the fold line to form the model

Cut Line  Fold Line 

Evaluation:

Your stylus is compatible with the S-DUO if below conditions are satisfied. If below condition is not satisfy, please try another stylus support.

1. Your stylus tip should NOT be touching the base on the water basin
2. Your stylus cantilever should NOT rest against the stylus support



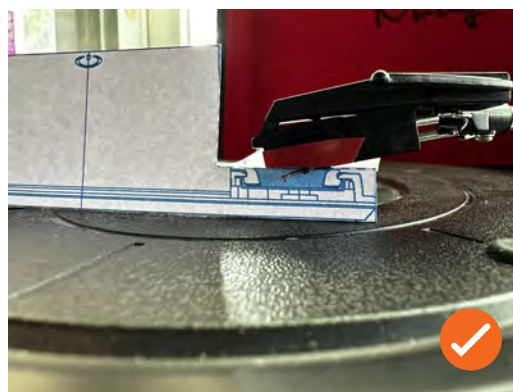
Step 1 : Print, cut and fold



Step 2 : Place stylus on both paper models to test the compatibility



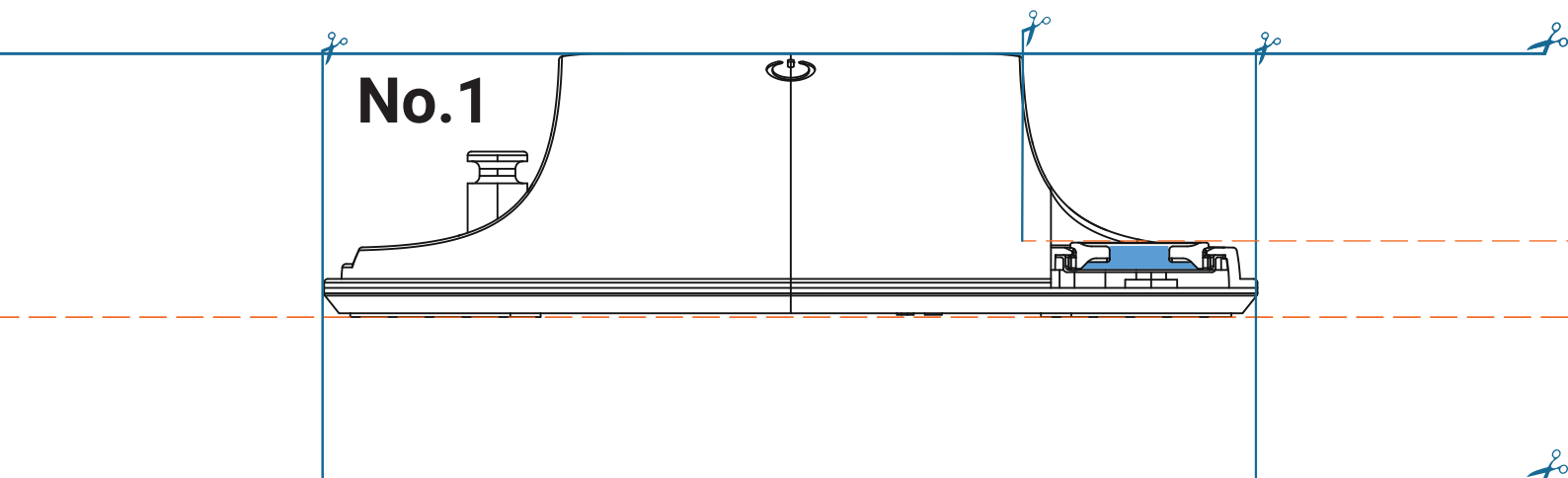
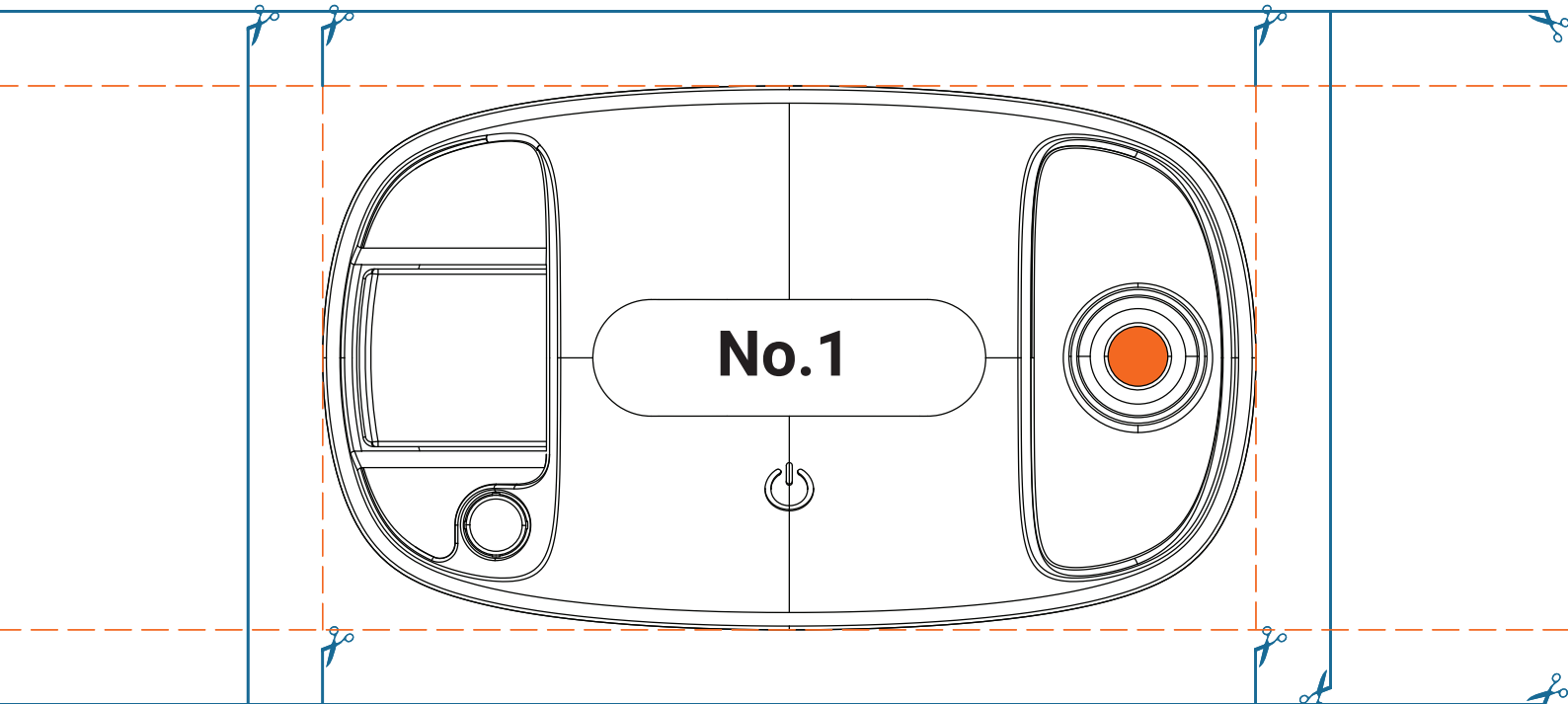
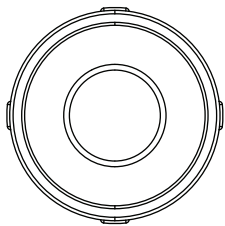
The top view paper model provides the understanding of the approximate size of the device, the diameter of the stylus supports and the height of the device.



The side view paper model provides the understanding of the approximate placement of the stylus with the specific rubber support. It is compatible when the conditions mentioned above are met. If not, please try the other stylus support paper model.

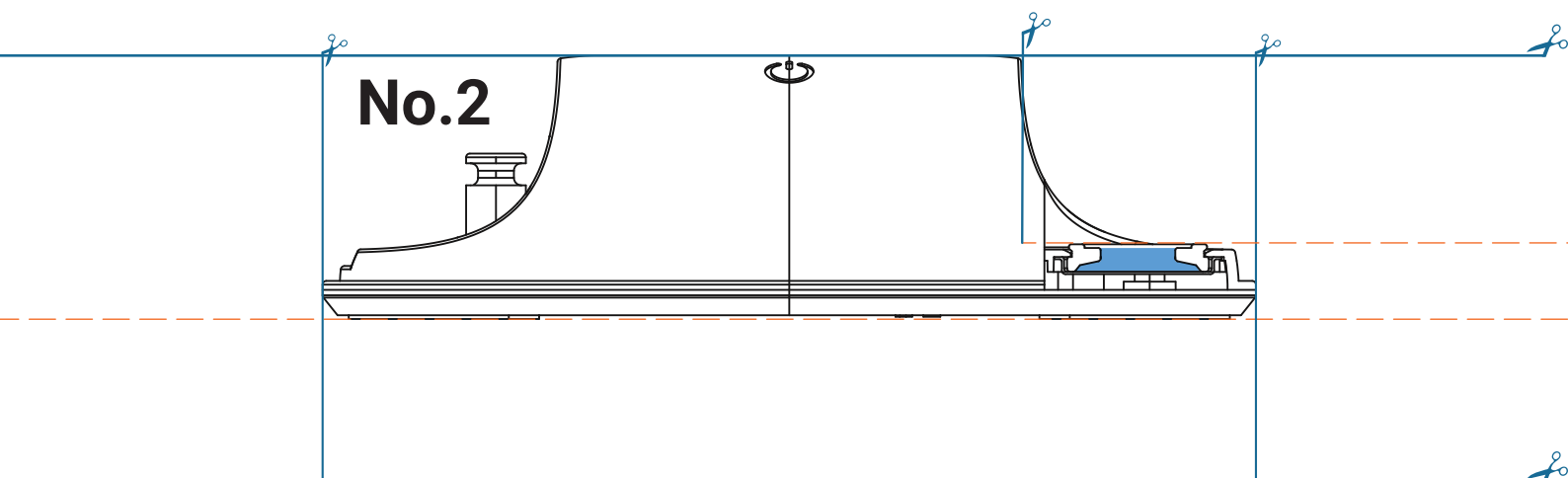
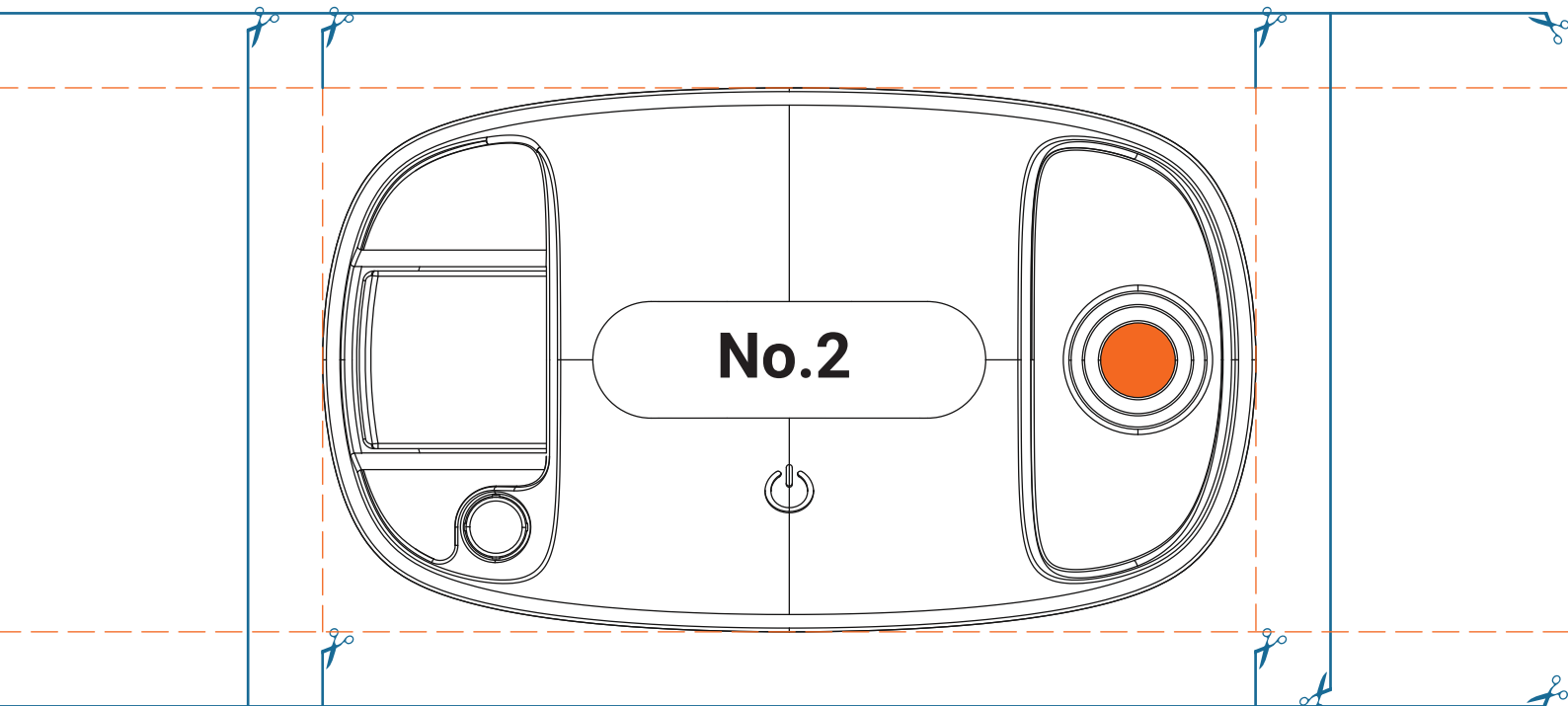
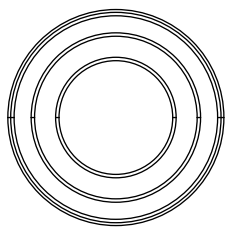
Stylus Support 1/3

Type No.1



Stylus Support 2/3

Type No.2



Stylus Support 3/3

Type No.3

