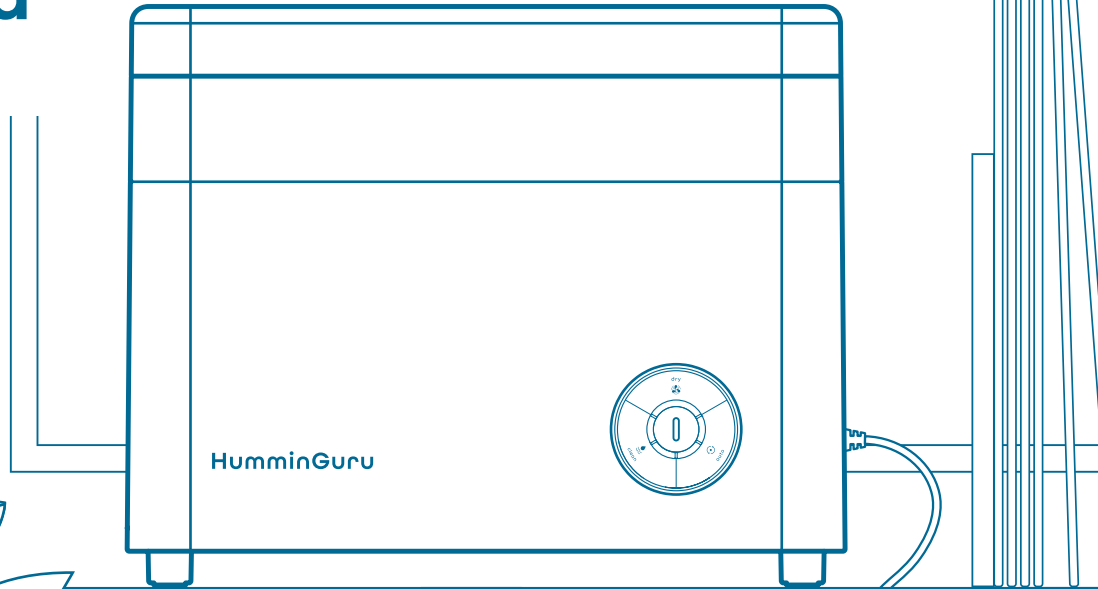


# HumminGuru Ultrasonic Vinyl Record Cleaner

## Owner's Manual

Model No. : HG01

Thank you for buying HumminGuru Ultrasonic Vinyl Record Cleaner. To apply this product safely and properly, please read the manual thoroughly and well understand before use. After reading, please keep the manual handy.





**HumminGuru™**

Create a new standard of affordable luxury that every vinyl record enthusiasts can enjoy.

# Contents

## **Safety Precaution . . . . . 1**

- WARNING : The Power Adapter . . . . . 1
- WARNING : The Machine . . . . . 2
- CAUTION . . . . . 2

## **Overview . . . . . 3**

- Part Names . . . . . 3
- Side Panel . . . . . 4
- Control Panel . . . . . 5
- Removable Water Tank . . . . . 6
- Maintenance Tool . . . . . 7

## **Machine Setup. . . . . 9**

## **Using the Machine. . . . . 11**

- Auto Mode . . . . . 11

- Cleaning Mode . . . . . 12

- Drying Mode. . . . . 13

## **Maintenance . . . . . 15**

- Clean the Water Tank . . . . . 15

- Clean the Water Basin Filter . . . . . 16

- Clean the Water Basin. . . . . 16

- Air Filter Replacement. . . . . 17

- Water Filter Replacement . . . . . 18

- Rotation Wheels Replacement . . . . . 19

- Machine Storage . . . . . 20

## **Trouble Shooting . . . . . 21**

## **Product Specification . . . . . 23**

## **Limited Warranty . . . . . 23**

# Safety Precaution

**IMPORTANT!** Read all instructions carefully before use and keep it for future reference.

HumminGuru ultrasonic vinyl record cleaner is limited to cleaning vinyl records that are made out of polyvinyl chloride only. This page is mainly referred to the safety precaution to prevent the property damage and the danger to the users and others. After understanding the indication and the symbols clearly, please read thoroughly and follow the instructions strictly.



## WARNING

Indicating "when the product is used wrongly, it may cause severe injuries\*<sup>1</sup> and death."



## CAUTION

Indicating "when the product is used wrongly, the user may get injured\*<sup>2</sup> or the product may cause property damage\*<sup>3</sup>."

\*1: Severe injuries mean to get an electric shock, short circuit, and ignition.

\*2: Getting injured mean you get wound and electric shock.

\*3: Property damages means the damage to the accommodations, properties, the machine, and vinyl records, etc.

## Symbol Explanation



Prohibited




Disassemble is prohibited



Soaking is prohibited



Wet hand is prohibited


 indicates prohibition (must not do). The details of the prohibition will be instructed by sentences or illustration nearby or in the symbol.



Mandatory



Unplug

 indicates mandatory (must do). The details of the mandatory will be instructed by sentences or illustration nearby or in the symbol.



## WARNING : The Power Adapter

If the power adapter is damaged, you must have it replaced by the manufacturer in order to avoid hazards (please contact us for replacement).



- DO NOT connect the product to the power source that is not specified in the owner's manual
- DO NOT scratch, bend, pull, twist the power adapter and the power cord.
- DO NOT put the heavy objects, pinch, or modify the power cord.
- DO NOT place the power adapter and cable near the heating source.
- DO NOT use if the power adapter or the power plug is damaged or loose.



- DO NOT touch, pull, or insert the power plug with wet hands.



- Keep the machine and its cord out of reach from the children.



- DO clean the power plug and the power adapter regularly with dry cloth.
- DO fully fit the power plug into the wall power outlet.
- DO unplug the appliance when the product is not in use.
- DO unplug the appliance when cleaning or replacing the air filter, the water filter, and the water basin filter.
- DO unplug the appliance when pouring water into the water basin.
- Insert the power plug into the power port completely.



### WARNING : *The Machine*

This appliance can be used by children aged from 8 years and above and persons with reduced physical, sensory or mental capabilities or lack of experience and knowledge if they have been given supervision or instruction concerning use of the appliance in a safe way and

understand the hazards involved. Children shall not play with the appliance. Cleaning and user maintenance shall not be made by children without supervision. The appliance is only to be used with the power supply unit provided with the appliance.



- DO NOT disassemble, fix, repair, or modify the machine in any way (unless indicated in the manual).



- DO NOT expose the machine to water or immerse the machine in water.



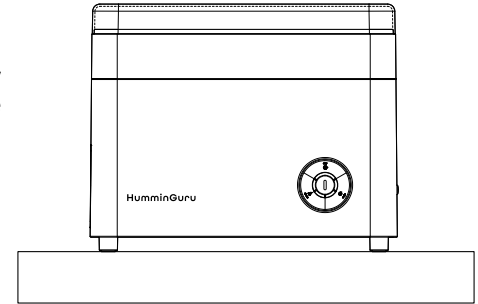
- If overheated, give space and turn off the machine to let it cool off.



### CAUTION

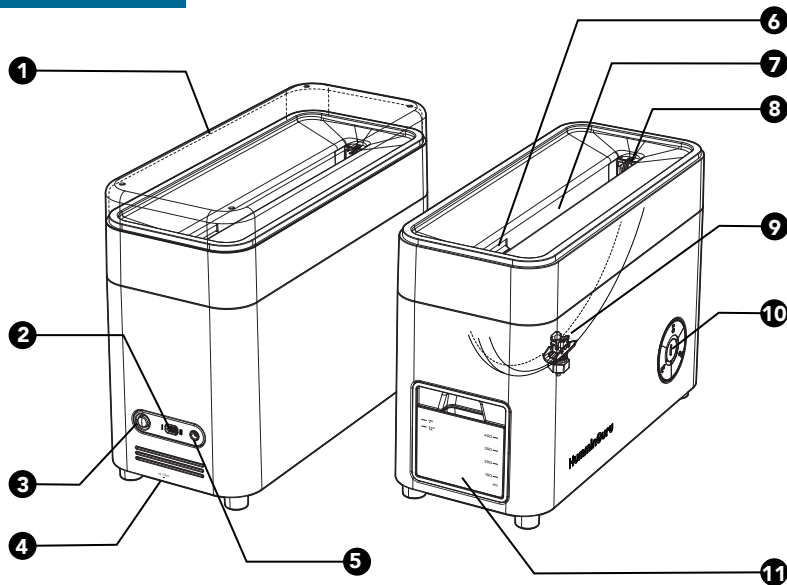


- The machine must be properly grounded on a flat surface at all time.
- Place the vinyl record properly on both rotation wheels and the water basin filter slot.



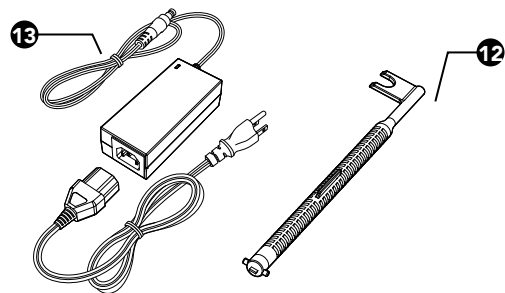
- DO NOT move or tilt the machine during operation.
- DO NOT fill the water basin with water exceeding the maximum water level.
- DO NOT pause or power off the machine during the water draining process.
- DO NOT clean and dry anything except vinyl records.
- DO NOT insert more than one vinyl record into the cleaner.
- DO NOT operate the machine without water inside of the water basin.
- DO NOT put foreign body, hot water, and any other forms of liquid except water.

# Overview



## This package includes:

- Ultrasonic vinyl record cleaner
- Cleaner lid
- Power adapter and cable
- Owner's manual
- Removable water tank
- Maintenance tool
- Replacement kit
  - 2 pairs of rotation wheels
  - 5 pieces of air filter
  - 5 pieces of water filter

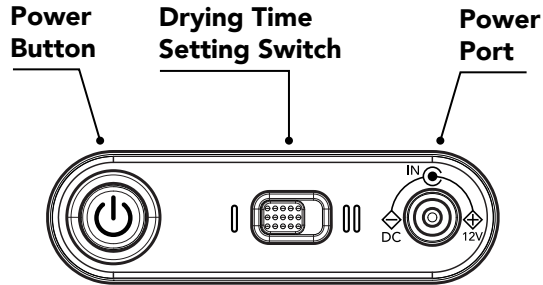


## Part Names

- 1 Cleaner Lid
- 2 Drying Time Setting Switch
- 3 Power Button
- 4 Detachable Air Filter Compartment
- 5 Power Port
- 6 Drying Fan
- 7 Water Basin
- 8 Rotation Wheels
- 9 Water Basin Filter
- 10 Control Panel
- 11 Removable Water Tank  
(Including a water tank lid, a detachable water filter slot and a water filter)
- 12 Maintenance Tool
- 13 Power Adapter and Cable  
(Compatible with 100 - 240 v)

\*\*The replacement kit is not included in Kickstarter order.

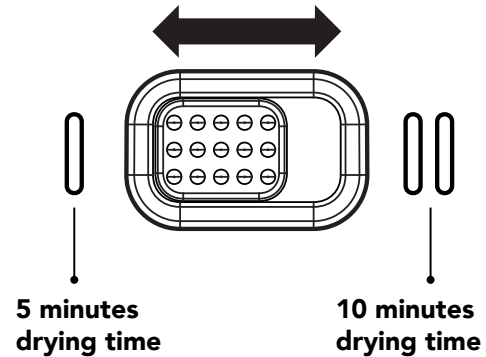
## Side Panel



The side panel has a power button, a drying time setting switch, and a power port. Connect the power adapter and cable to the power port and the wall power outlet and then press the power button to turn on the machine.

### Drying Time Setting

The slide switch for drying time setting gives user the option to select the drying duration for the optimal drying result. For the first time use, the default setting is 5 minutes of drying. Sliding the switch to the right will change the drying time to 10 minutes for the modes that involve drying function. The choice of drying time is subject to the condition of the vinyl record, the temperature, and the relative humidity of the environment.



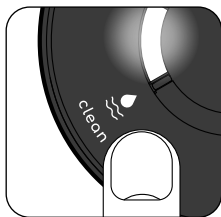
### CAUTION

- DO NOT disconnect the power adapter during any operation cycle.
- DO NOT change the drying time setting during any operation cycle.
- Turn off the machine before unplugging the power adapter from the machine or the wall power outlet.

## Control Panel

### Cleaning Mode

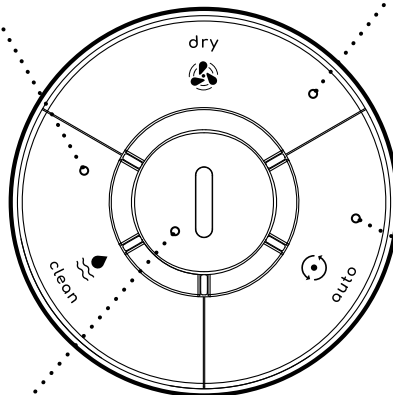
2 minutes of cleaning



5 minutes of cleaning

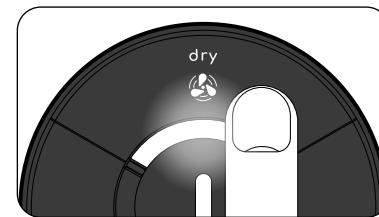


### Start / Pause



### Drying Mode

5 or 10 minutes of drying



### Auto Mode

2 minutes auto



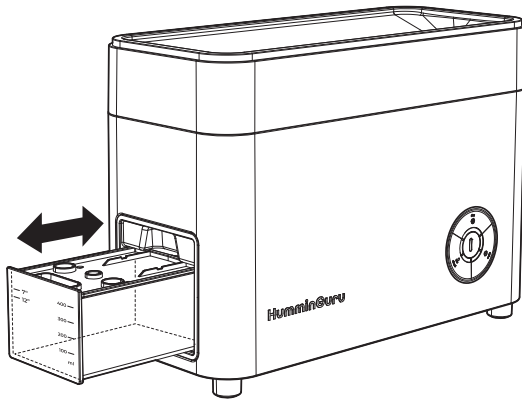
5 minutes auto





## Removable Water Tank

The removable water tank is located on the left side of the machine. The capacity of the water tank is 400 ml. Four different water levels (100, 200, 300, 400 ml) and the water level guides for 7", 10", and 12" vinyl records are indicated.

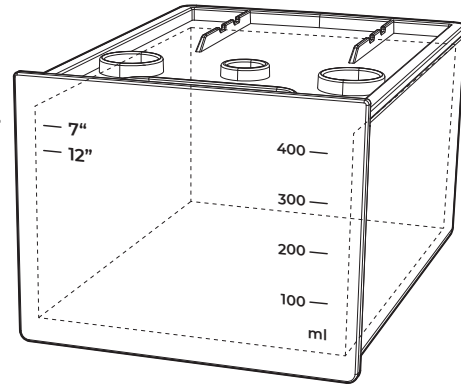


### Notice

- Must set the water tank with the lid in place before starting any operation cycle.
- DO NOT remove the water tank during any operation cycle.
- The water level indication guides are for your reference only. The optimal water level should be based on the distance from the edge of your record to the water level that is slightly above the outer ring of the deadwax area.

### The water level indication for 12" and 7" record (for reference only)

The water level indication for 12" record also applies to **10" record**.



### Water Volume

*The maximum water level is 400 ml.*

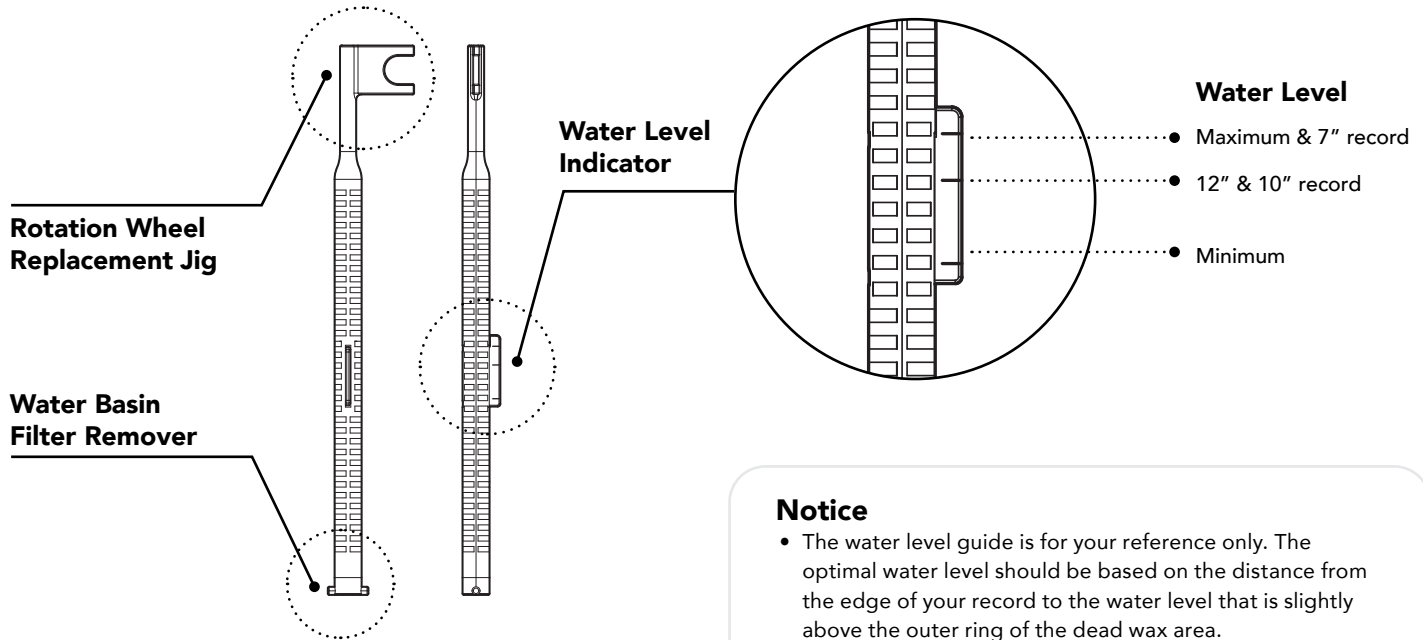


### CAUTION

- DO NOT fill the water tank with water to a level exceeding 400 ml. Failing to do so may result in electrical shock or machine damage due to water spill.

## Maintenance Tool

The maintenance tool is designed to fulfill three main tasks. It can be used to replace the rotation wheel, remove the water basin filter and work as a water level indicator.



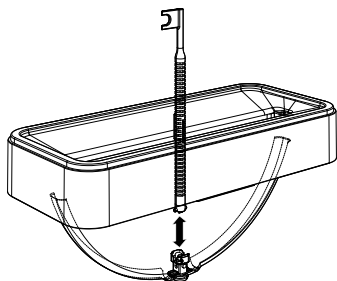
**\*\*Go to page 16 and 19 to learn how to use the tool for the water basin filter cleaning and rotation wheels replacement.**

### Notice

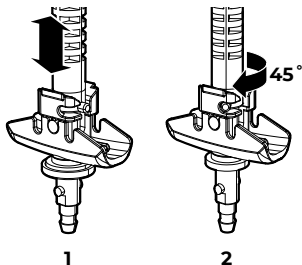
- The water level guide is for your reference only. The optimal water level should be based on the distance from the edge of your record to the water level that is slightly above the outer ring of the dead wax area.

## How to use the maintenance tool as a water level indicator

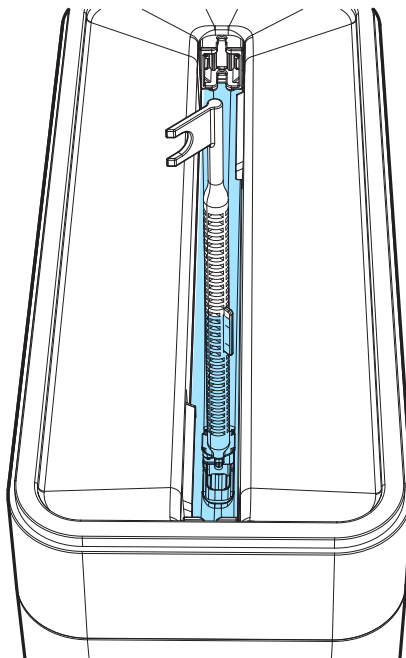
- 1.** Vertically place the tool into the water basin.



- 2.** Insert the tool into the filter slot and rotate it 45° clockwise to secure the tool.



- 3.** Pour in water and check the water level based on the size of your record.

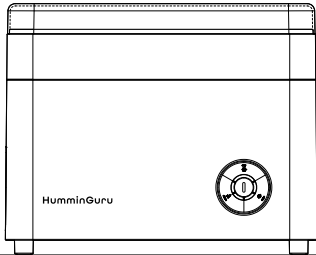


### CAUTION

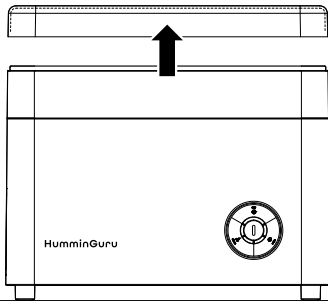
- DO NOT fill the water tank with water to a level exceeding 400ml.
- DO NOT bend, pull, and twist the tool when it is inserted in the filter slot. Failing to do so may break or loosen the water basin filter.
- DO NOT allow children to play with the maintenance tool.
- DO NOT bend, twist, or break the maintenance tool.
- DO NOT discard the tool.

# Machine Setup

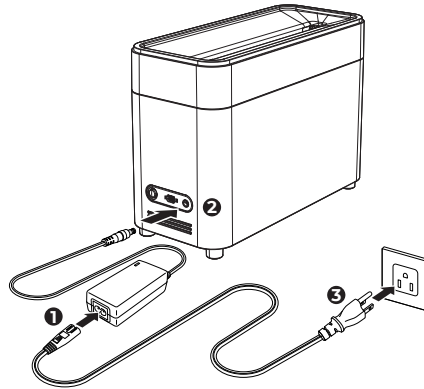
- 1.** Place on level surface



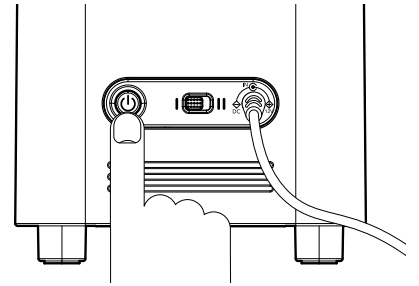
- 2.** Open the lid



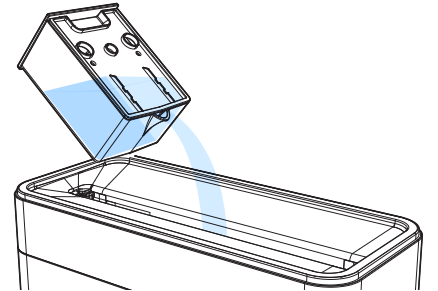
- 3.**
1. Connect the power cable to the power adapter.
  2. Connect the power adapter to the machine.
  3. Plug the power plug to the wall power outlet.



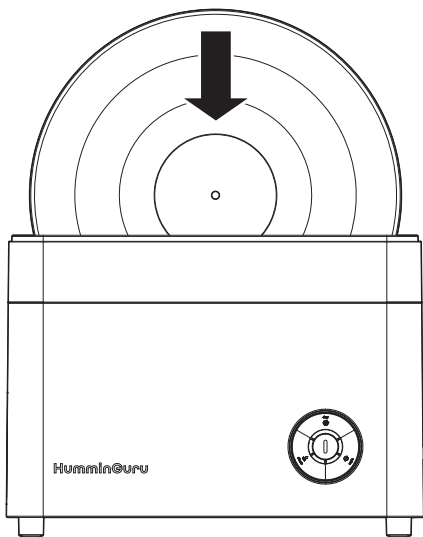
- 4.** Push the power button to turn on the machine



- 5.** Fill the water tank with distilled water and pour it into the water basin. Insert the water tank back into the cleaner.

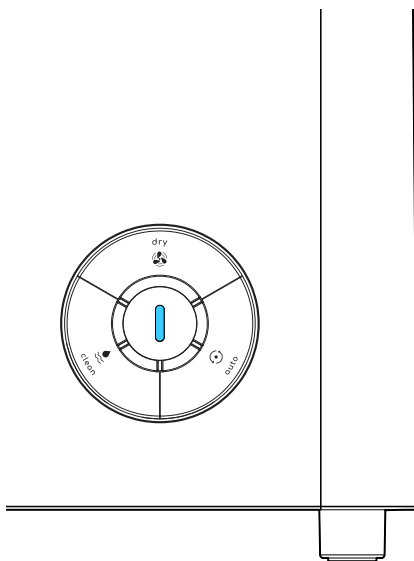


- 6.** Insert the 12" record into the water basin as shown



Use HumminGuru record adapter for 7" and 10" record. Visit [humminguru.com](http://humminguru.com) for purchase.

- 7.** Select a mode and press start. You will be alerted with a blue light when the cycle finishes.



**\*\*Go to page 14 to understand the light indication of the start / pause button.**

### Use Distilled Water

Use distilled water only for the best cleaning result. Avoid using water from the tap as the limescale in tap water may leave residue on the pipes of the machine.

Do not use unauthorized cleaning agents or fluids unless it is specified in the manual. Doing so will void the warranty.



### CAUTION

- DO NOT fill the water tank with distilled water to a level exceeding 400ml.
- DO NOT fill the water basin directly from the faucet.
- Gently insert the record with both hands into the water basin.

# Using the Machine

## SELECT THE MODE

There are three modes options to select based on your preferences.

1. **Auto Mode**
2. **Cleaning only Mode**
3. **Drying only Mode**

### Notice:

- The draining process is set to be 38 seconds long. Air extraction sounds at the end of the draining cycle are normal.
- The "Pause" button is disabled during the draining process.
- Select your desired drying time of 5 minutes (I) / 10 minutes (II) on the side panel before you start the Auto or the Drying only mode.

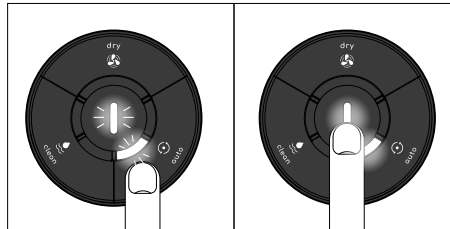
## Auto Mode

The auto mode is an automatic cycle that cleans and dries your record in one step. There are two settings available.

### Setting 1: Auto Quick Cleaning

( 1 LED white light is shown )

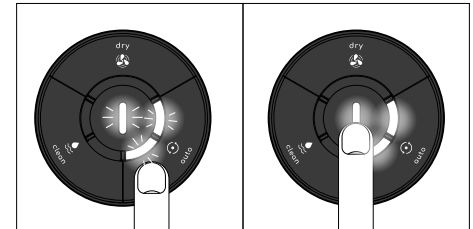
This setting involves the cycle of **2 minutes** of ultrasonic washing, water draining, and 5 or 10 minutes of drying. Select this setting by pressing the "auto" button **once** and one LED light will start blinking. Press the "start/pause" button to start the quick cleaning cycle.



### Setting 2: Auto Deep Cleaning

( 2 LED white light is shown )

This setting involves the cycle of **5 minutes** of ultrasonic washing, water draining, and 5 or 10 minutes of drying. Select this setting by pressing the "auto" button **twice** and two LED lights will start blinking. Press the "start/pause" button to start the deep cleaning cycle.



## Cleaning Mode

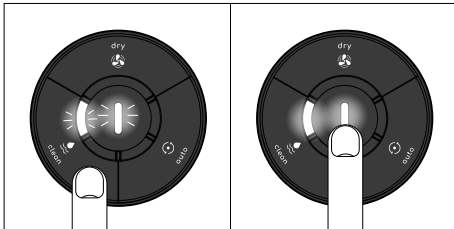
The cleaning mode allows the user to run the cleaning mode separately, without a drying cycle. There are two settings available.

### Setting 1: 2 Minutes Cleaning

( 1 LED white light is shown )

This setting is suitable for new records or records that have light dust on them.

Select this setting by pressing the "clean" button **once** and one LED light will start blinking. Press the "start/pause" button to start the 2 minutes of cleaning cycle.

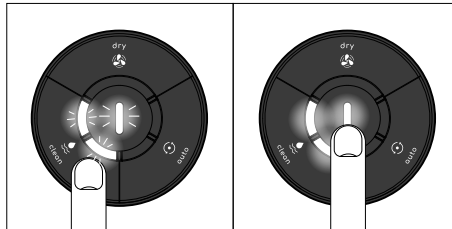


### Setting 2: 5 Minutes Cleaning

( 2 LED white light is shown )

This setting is recommended to use for records that are considerably dirty.

Select this setting by pressing the "clean" button **twice** and two LED lights will start blinking. Press the "start/pause" button to start the 5 minutes of cleaning cycle.



## CAUTION

- DO NOT move, pull, or push the record during any operation.
- DO NOT change the drying time setting during any operation.
- DO NOT start any cycle without water added in the water basin at a minimum water level.
- DO NOT run the machine over an hour. Allow the machine to cool off for at least 30 minutes.

## Drying Mode

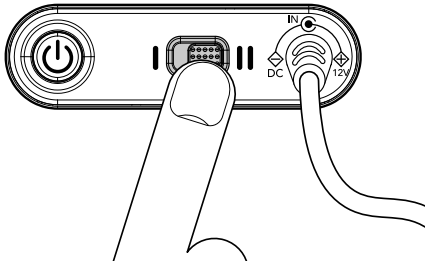
The drying mode allows the user to drain water out from the water basin and run the drying mode separately, without a washing cycle.

There are two drying time settings available.

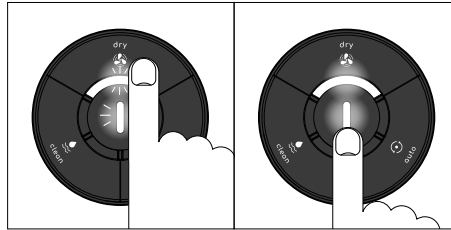
### Setting 1: 5 Minutes Drying

### Setting 2: 10 Minutes Drying

Select the desired drying time based on the condition of the vinyl record, the temperature, and the relative humidity of the environment. Go to the side panel and slide the switch to choose the setting.



Press the “dry” button once and press the “start/pause” button to start the drying cycle.



The drying time applies to all modes that involve the drying function.

### Notice:

- Do not switch the drying time setting during the drying cycle.
- The pause function is disabled during the draining process that lasts for about 38 seconds.

## Cleaning Tips

For user who would like to clean the record for a longer time, select the **5 Minutes Cleaning in Cleaning only mode** to clean the record for 5 minutes in advance. Then select the **Auto Deep Cleaning in Auto mode** to finish off. The ultrasonic cleaning duration will be 10 minutes in total.

User can always extend the cleaning duration by applying the same method as above.





## START/PAUSE Light Indication



**Blinking White Light**

Standby



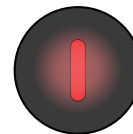
**Blinking Red Light**

Pause



**Solid White Light**

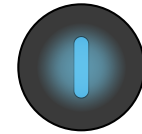
Operating



**Solid Red Light**

Error

( Indicating water tank not in place )

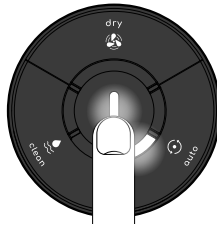


**Solid Blue Light**

Cycle Complete

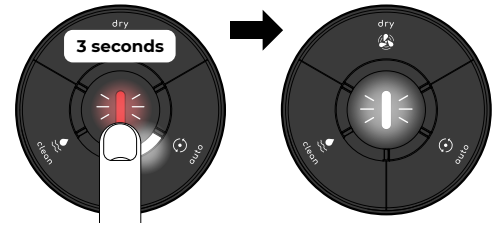
### To Start

Select a mode and press the start/pause button. The cycle will begin to operate.



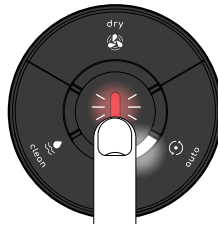
### To Cancel

Pause the cycle and then long press the start/pause button for 3 seconds until the blinking white light appears.



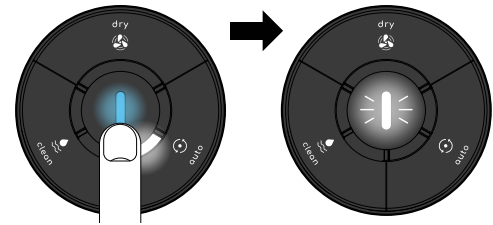
### To Pause / Resume

Press the start/pause button and the light will turn into a blinking red light. To resume the operation, press the start/pause light again.



### Completion

You will be alerted with a solid blue light when the cycle completes. Press the start/pause button to reset the machine.



# Maintenance

To extend the service life of the cleaner, it is recommended to conduct preventive maintenance and cleaning of the facility on a regular basis.

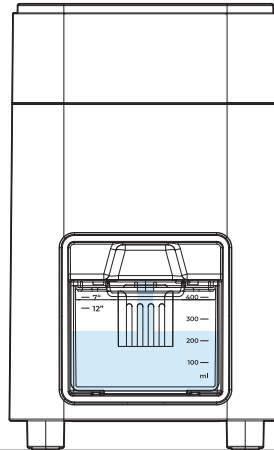


## CAUTION

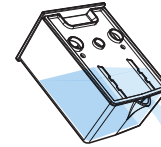
- DO NOT clean the water tank with the dish washer or the dish dryer.
- DO NOT move the machine if there is water inside the water basin or the water tank. Doing so may result in product damage.

## Clean the Water Tank

Select the "dry" mode and press start to drain water out from the water basin completely.

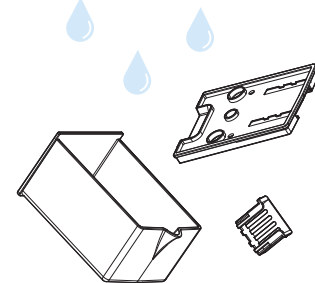


Pour away the water in the water tank.



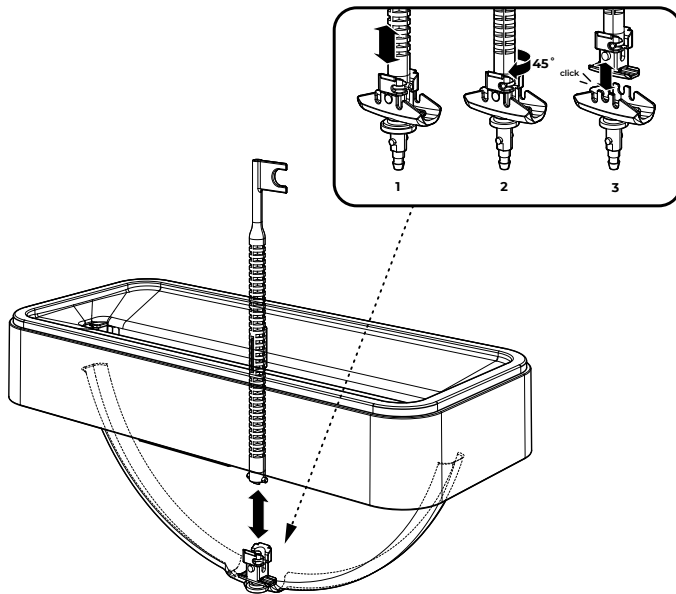
SINK

And rinse the water tank, the lid, the filter slot, and the water filter thoroughly.



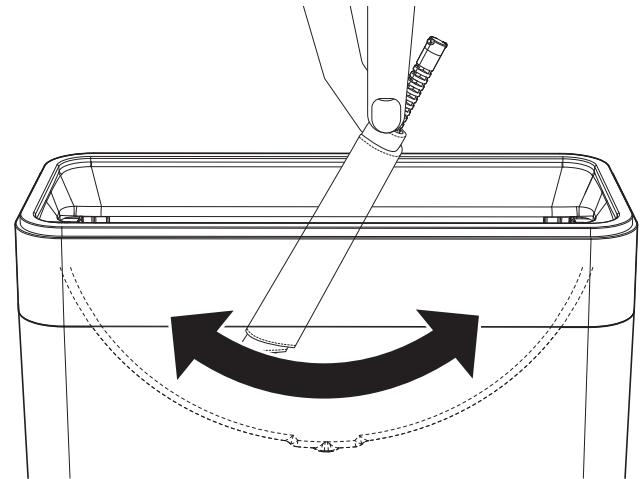
## Clean the Water Basin Filter

The water basin filter is located at the bottom of the water basin. Insert the maintenance tool vertically into the water basin filter slot and turn 45° clockwise to pull out the filter for cleaning.



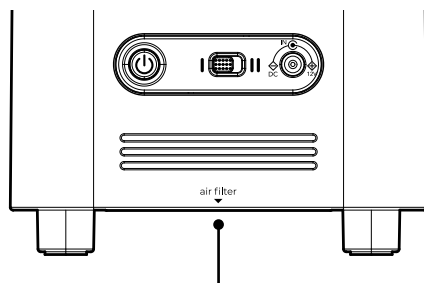
## Clean the Water Basin

Wipe the water basin with a damp cloth. Tips: warp the damp cloth around the maintenance tool and use it to wipe the water basin thoroughly. Make sure the water basin filter has been taken out.



## Air Filter Replacement

The washable and replaceable air filter is installed under the side panel of the machine to trap external particles generated during the drying cycle. It is recommended to rinse the air filter with water on a regular basis and air dry completely before use.



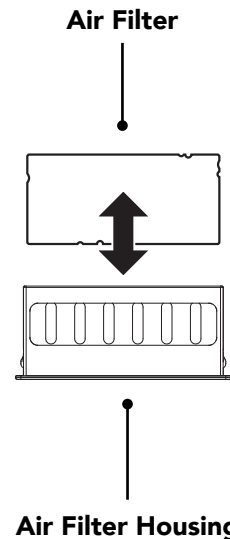
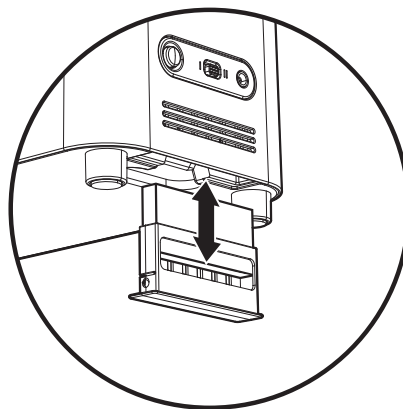
**Air Filter Compartment**



### CAUTION

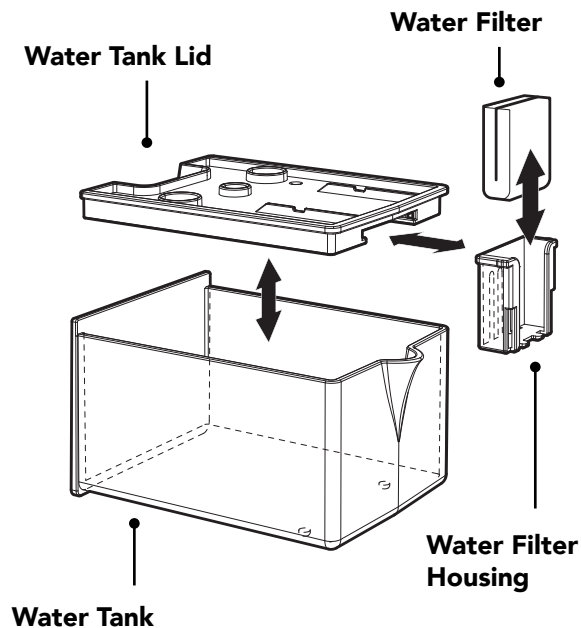
- DO NOT cover the ventilation opening at the side of the machine. Free airflow is required for proper functioning of the machine.
- DO NOT take out the air filter housing when there is water remaining in the water tank or the water basin.
- DO NOT take out the air filter housing during any operation cycle.

Check the wearing status. Replace it with a new filter when it starts to wear out. To replace, take out the air filter housing from the bottom of the machine and insert the new filter into the housing slot. Then, put the filter housing back into the air filter compartment.

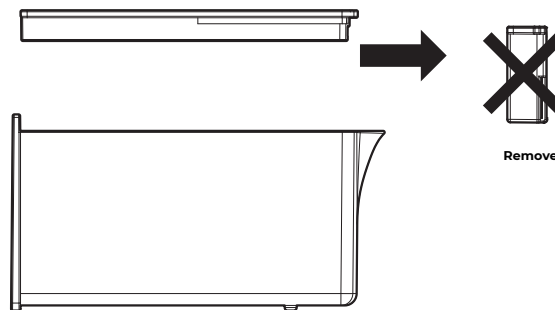


## Water Filter Replacement

The washable and replaceable water filter is installed in the water tank to filter out large residue from the water during the cleaning cycle. It is recommended to rinse the filter with water on a regular basis and air dry completely before use.



Check the wearing status. Replace it with a new filter when it starts to get dirty or wear out. To replace, fold the water filter in half and insert it into the water filter housing. Make sure that the filter housing must be properly re-attached to the lid of the water tank. For user who do not wish to use the water filter, simply remove the water filter housing.

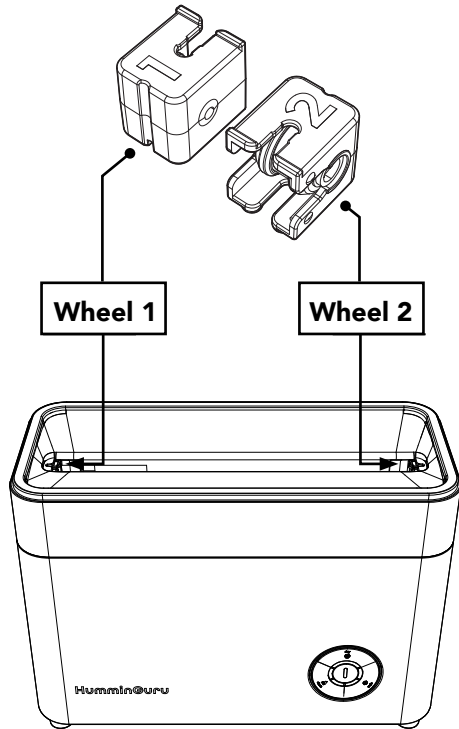


### WARNING

- Keep all the water tank parts out of reach from the children.

## Rotation Wheels Replacement

See below to clarify each wheel and its location.

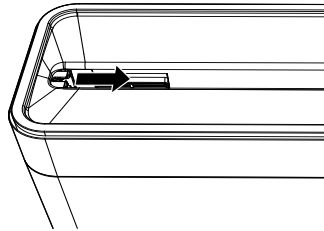


### Wheel 1

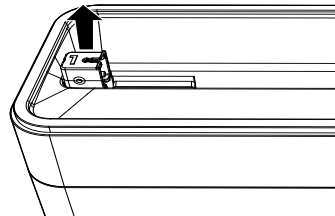


The rotation wheel 1 is located on the left side of the machine. Simply hold the top and the bottom edge of the wheel and pull it out horizontally. Apply some force to pull it out.

#### Step 1



#### Step 2



To replace, take the new wheel with the number 1 facing up and insert it into the slot horizontally.

### Wheel 2

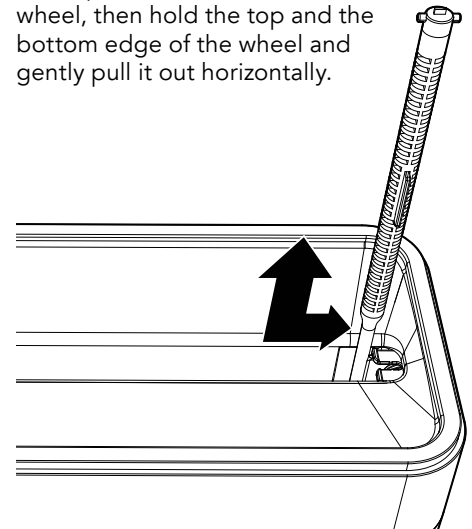


+



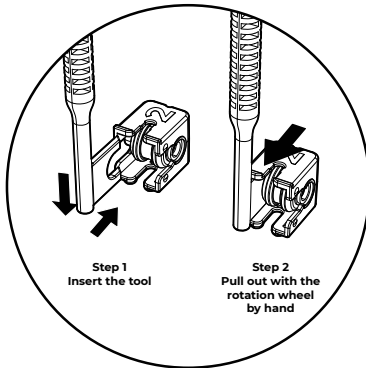
The rotation wheel 2 is located on the right side of the machine. The maintenance tool is required for replacement.

To detach the wheel 2 from the machine, insert the tool into the gap on the left side of the wheel, then hold the top and the bottom edge of the wheel and gently pull it out horizontally.



## Machine Storage

To replace, take the new wheel with the number 2 facing up and attach it to the maintenance tool. Then insert the wheel 2 into the slot horizontally.

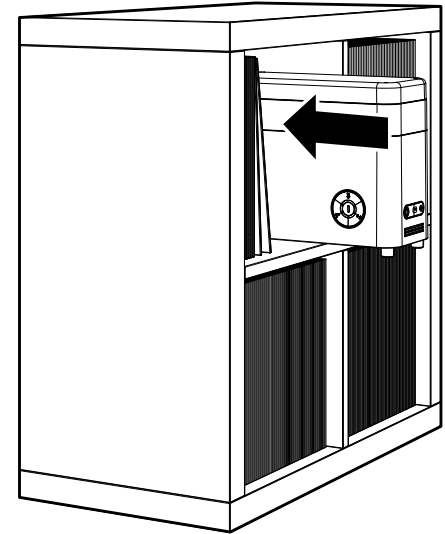
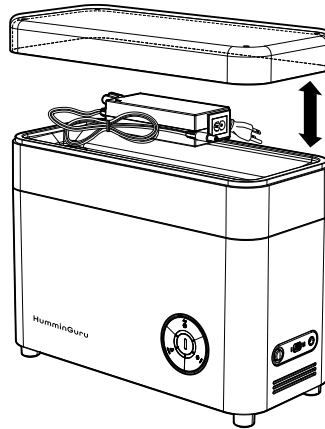


### CAUTION

- Unplug the machine during the replacement process.
- DO NOT conduct parts replacement if there is water remaining in the water basin.

When storing HumminGuru record cleaner, do the following:

1. Drain the water completely from the water basin.
2. Remove the water from the water tank and wipe down the water tank parts.
3. Insert the water tank back into the machine.
4. Turn off the machine.
5. Unplug the power adapter and cable from the wall power outlet.
6. Store the power adapter and cable under the cover lid.
7. Store the machine in 12 inch record storage shelf.



# Trouble Shooting

## 1. Unable to turn on the machine or start the operation cycle.

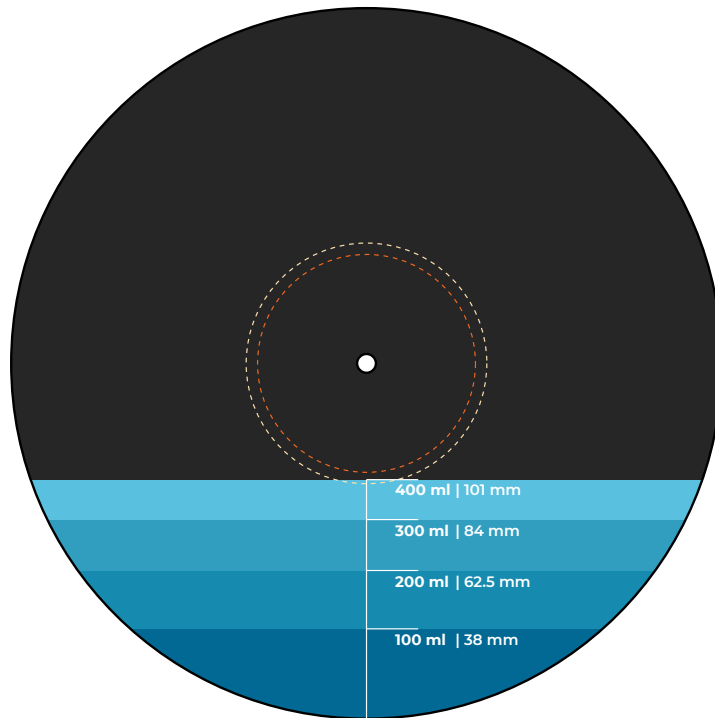
Check if your machine is properly connected to a power outlet. In addition, check if the water tank with the lid is set in place properly.

## 2. The record is not turning.

Check if the rotation wheels are rotating or not. If not, check if the vinyl record is properly docked on the wheels and the water basin filter slot. If it is still not working, take the wheels out and check if the wheels rotates smoothly. If not, the replacement of the wheels is required.

## 3. The record label is getting wet.

Pause the cleaning cycle immediately. Take out your record and dry it up first. Long press the start/pause button for 3 seconds to cancel the operation and then select the drying mode to drain the water out of the water basin completely. To avoid this from happening, check the diagram on the right for your reference to measure the amount of water you need for your record.



### Water level reference chart

|                  |       |
|------------------|-------|
| 12" record label | ----- |
| 10" record label | ----- |
| 7" record label  | ----- |



**4. There is water remaining in the water basin.**

The water basin filter is possibly clogged. Use the maintenance tool to take it out from the water basin (refer to page 16 for guidance). Rinse the filter thoroughly and re-insert the filter. Then, select the drying mode to drain water out completely. If this does not help, contact customer support.

**5. Unable to pause during the draining process.**

Pausing is disabled during the draining process. You are unable to pause the operation cycle during the draining process.

**6. My record does not get dry after the drying cycle.**

Whether the record gets completely dry or not is subject to the condition of the vinyl record, the temperature, and the relative humidity of the environment. For the first time use, the default setting for drying is 5 minutes (I) for all drying cycle. Switch to the 10 minutes of drying by sliding the drying time setting switch to the right (II) to dry your record for a longer time.

**7. The machine has started to smell.**

Switch off the machine and disconnect the power cord from the wall power outlet. Contact customer support.

**8. I accidentally pull out the water tank during the operation cycle.**

**Case 1:**

When the water tank is taken out from the machine during the operation cycle, the “Error” (Solid Red light) signal will appear and the machine will automatically stop for safety. In this case, insert the water tank properly back into the slot and it will automatically switch back to the standby (blinking white light) mode.



**Case 2:**

When the water tank is taken out from the machine during the **draining process**, the “Error” (Solid Red light) will appear and the machine will automatically stop for safety. In this case, insert the water tank properly back into the slot and it will automatically switch back to standby (blinking white light) mode. Then, select the drying mode and press start/pause button to drain water out completely from the water basin. After draining is completed, long press the start/pause button for 3 seconds to resume to the standby (blinking white light) mode.

## Product Specification

|  |  |
|--|--|
| <b>Product Name</b>  | HumminGuru Ultrasonic Vinyl Record Cleaner |
| <b>Model No.</b>   | HG01                                       |
| <b>Input Power</b>   | DC 12V === 5.0A                            |
| <b>Output Power</b>  | 60 W                                       |
| <b>Power Supply</b> <i>(Power Adapter)</i>                 | 100 - 240 V AC 50 - 60 Hz                  |
| <b>Water Tank Total Capacity</b>                           | 400 ml                                     |
| <b>Outer Volume</b> <i>(L x W x H)</i>                     | 350 mm x150 mm x 200 mm                    |
| <b>Net Weight (kg)</b><br><i>(power cord not included)</i> | 3.1 kg                                     |
| <b>Ultrasonic Frequency</b>                                | 40 kHz                                     |

## Limited Warranty

HumminGuru warrants this product against defects in material or workmanship for the original owner and any subsequent end user owner(s) ("You" or "Your") **for one year** from the original date of purchase of the product. Pursuant to this Limited Warranty, HumminGuru will, at its option, (i) repair the product using new or refurbished parts, or (ii) replace the product with a new or re-certified/refurbished product. In the event of a defect, these are your exclusive remedies. HumminGuru does not warrant that the operation of the product will be uninterrupted or error-free.

**This Limited Warranty covers** only the cleaning machine and does not cover separate accessories and technical assistance for hardware usage.

**To obtain warranty service**, you must contact our customer support (support@happywell.com.hk) and deliver the product, in either its original

packaging or packaging affording an equal degree of protection to designated service location together with a dated purchase receipt in order to obtain warranty service. HumminGuru cannot guarantee that it will be able to repair any product under this Limited Warranty.

### **Repair/Replacement Warranty**

This Limited Warranty shall apply to any repair, replacement part or replacement, rectified or refurbished product for the remainder of the original Limited Warranty period or for ninety (90) days, whichever is longer.

HumminGuru is not responsible for, and this Limited Warranty does not cover, any damage arising from a failure to operate the product within its intended uses, or otherwise follow the owner's manual and safety instructions relating to the product's use and installation. HumminGuru is not responsible for any

labor or parts costs you incur relating to repairs or services from providers/servicers other than from HumminGuru authorized providers/servicers. This Limited Warranty only covers product issues caused by defects in material or workmanship during ordinary consumer use. This Limited Warranty is non-transferable. No other warranty, written or oral, is authorized by HumminGuru.

This Limited Warranty does not cover products purchased from sources other than HumminGuru or HumminGuru authorized dealer (including non-authorized online auctions), or issues due to: (i.) Outdoor exposure and other acts of nature; (ii.) Power surges; (iii.) Lack of reasonable care; (iv.) Accidental damage; (v.) Misuse or abuse; (vi.) The affixing or any attachment not provided with the product; (vii.) Damage, malfunction and/or failure to product resulting from use of parts or supplies not sold or authorized by HumminGuru; (viii.) Damage;

malfunction and/or failure to product resulting from servicing not authorized or performed by HumminGuru; (ix.) Modifications of or to any of the product; (x.) Shipping damage; (xi.) Loss of part; (xii.) Use of unauthorized chemical cleaning agents or liquids.

### **LIMITATION ON DAMAGES:**

#### **HUMMINGURU SHALL NOT BE LIABLE FOR ANY INCIDENTAL OR CONSEQUENTIAL DAMAGES DUE TO A DEFECTIVE PRODUCT OR FOR BREACH OF ANY EXPRESS OR IMPLIED WARRANTY OR CONDITION ON THIS PRODUCT.**

The product must be shipped postage prepaid to HumminGuru designated service location. Damage occurring during shipment is not covered by this Limited Warranty. Shipping costs are nonrefundable.



**HumminGuru™**



Find out more at  
[www.humminguru.com](http://www.humminguru.com)

## **Contact**

For replacement parts, service, or questions,  
please contact customer support.

[support@happywell.com.hk](mailto:support@happywell.com.hk)  
[www.humminguru.com](http://www.humminguru.com)

## **Happy Well International Enterprise, Ltd.**

Rm. 1202, 12/F New Mandarin Plaza, Tower B,  
No. 14 Science Museum Road,  
Tsim Sha Tsui East,  
Kowloon, Hong Kong