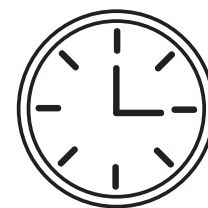
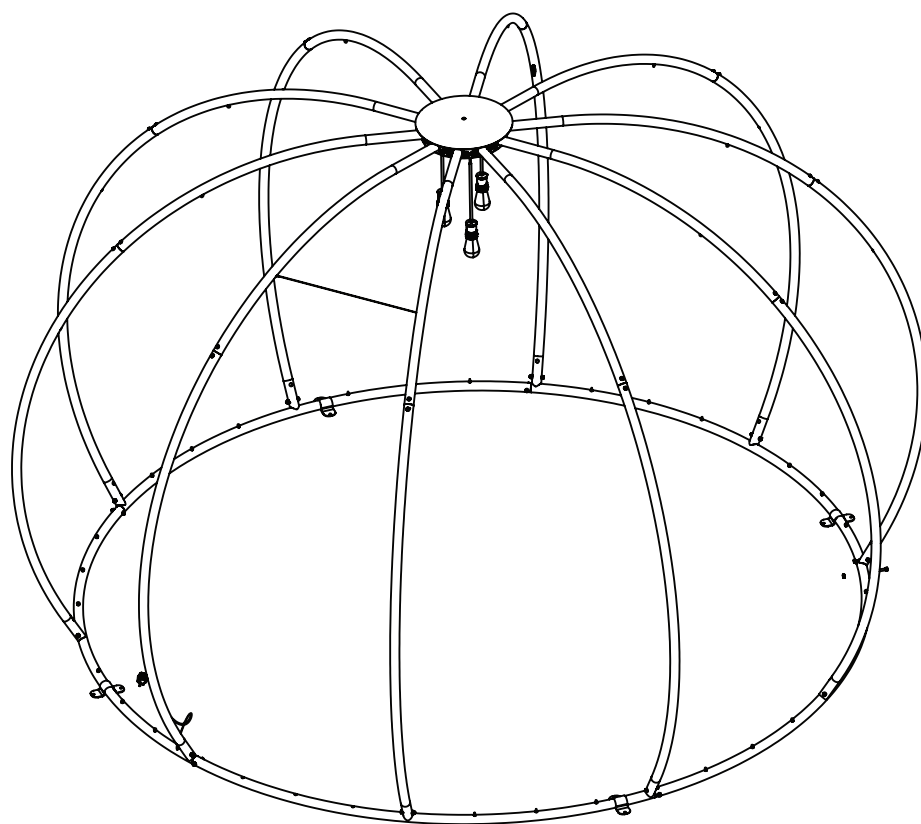


astræa® igloo

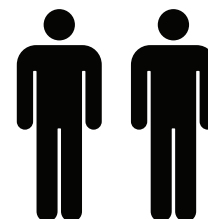
IGLOO

Quick Installation Guide

Astræa Igloo model L Aluminium Frame



10-15 minutes



We recommend
two people for
this operation!



For a video
installation
guide scan
this code

www.astreea.com



astræa® igloo An ARSAT® company brand.



These instructions are for the Astræa Igloo model L.
Other products in the range have a similar installation procedure.

BEFORE and **AFTER** installation, please read the product
manual, available at www.astreea.com/manual

In the box

Elements and tools you'll find inside this box



1x top plate



15 x M8x50 screws



15 x M8 locking nuts



10 x M8x25 domed head screws



21 x M8x16 screws



20 x M8 nuts



37 x M4 screw eyes



2x aluminum clothing racks



2 x M4x10 screws



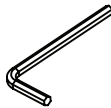
5x aluminum clamp connectors



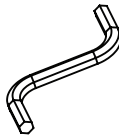
3x Philips LED bulbs or equivalent
(Not available in some countries. Please ask your dealer)



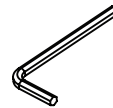
1x Allen key
no. 2.5



1x Allen key
no. 5



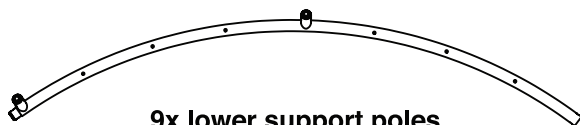
1x Allen key
no. 6



1x Wrench
no. 13



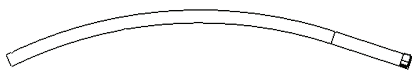
5x base rails



9x lower support poles



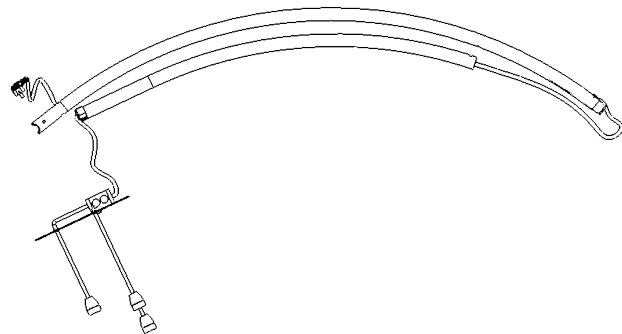
9x upper support poles



1x door cable



2x attached poles with electrical outlet



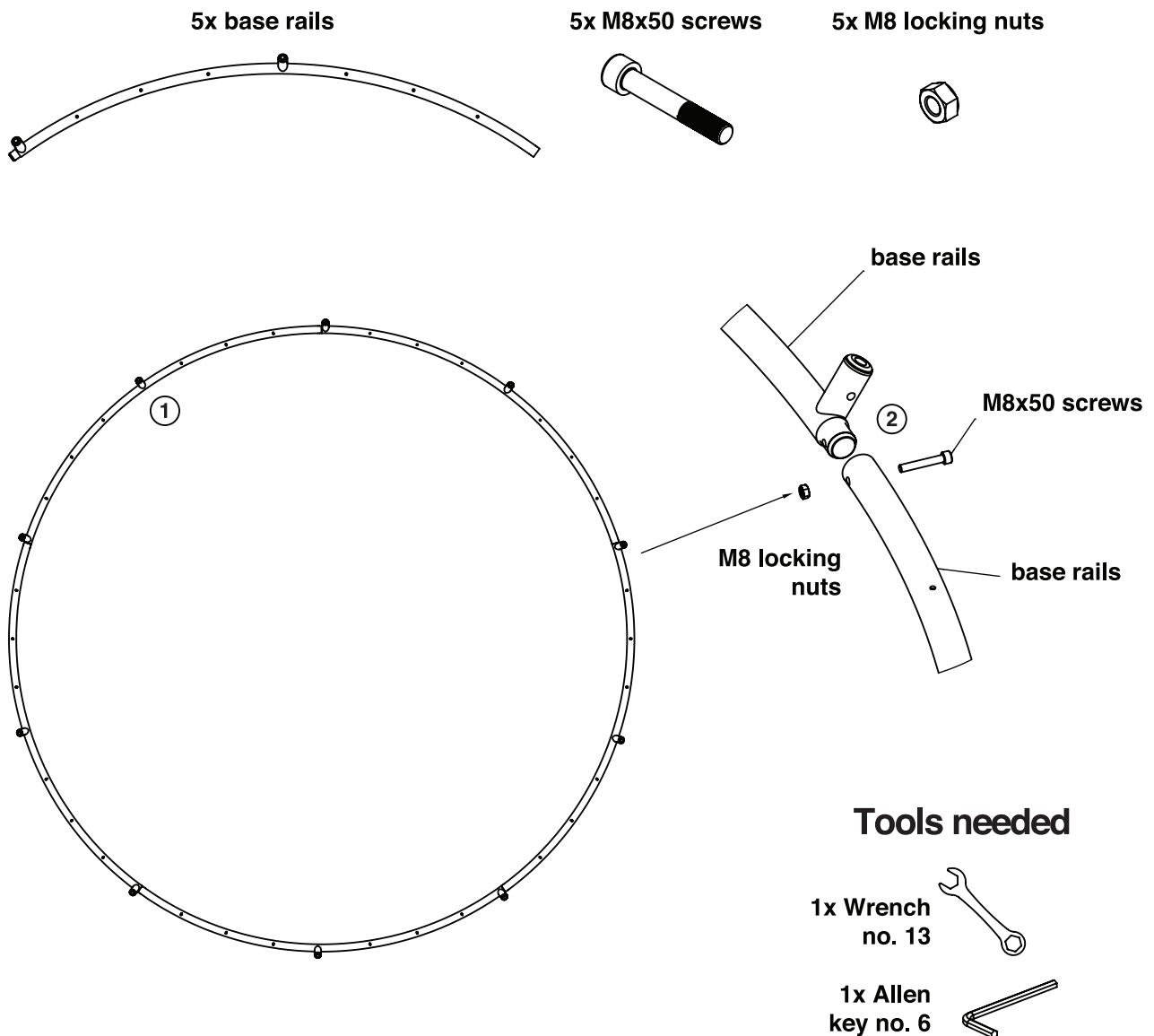
For the other products in the range the contents of the box are:

IGLOO MODELS	rail tubes	lower pole	upper pole	poles with electric outlet	top plate	M8x50 screw	M8 locking nut	M8x25 domed head screw	M8x16 screw	M8 nut	M4 screw eye	clothing racks	M4x10 screw	clamp connector	LED bulbs	Allen key no. 2.5	Allen key no. 5	Allen key no. 6	Wrench no. 13
M	4	7	7	1	1	12	12	8	17	16	29	2	2	4	3	1	1	1	1
L	5	9	9	1	1	15	15	10	21	20	37	2	2	5	3	1	1	1	1
XL	6	11	11	1	1	18	18	12	25	24	44	2	2	6	3	1	1	1	1

Installing the base

1

Components



Place the base rails on the floor (1).

Use the M8x50 screws and M8 nuts to mount the base parts together (2).

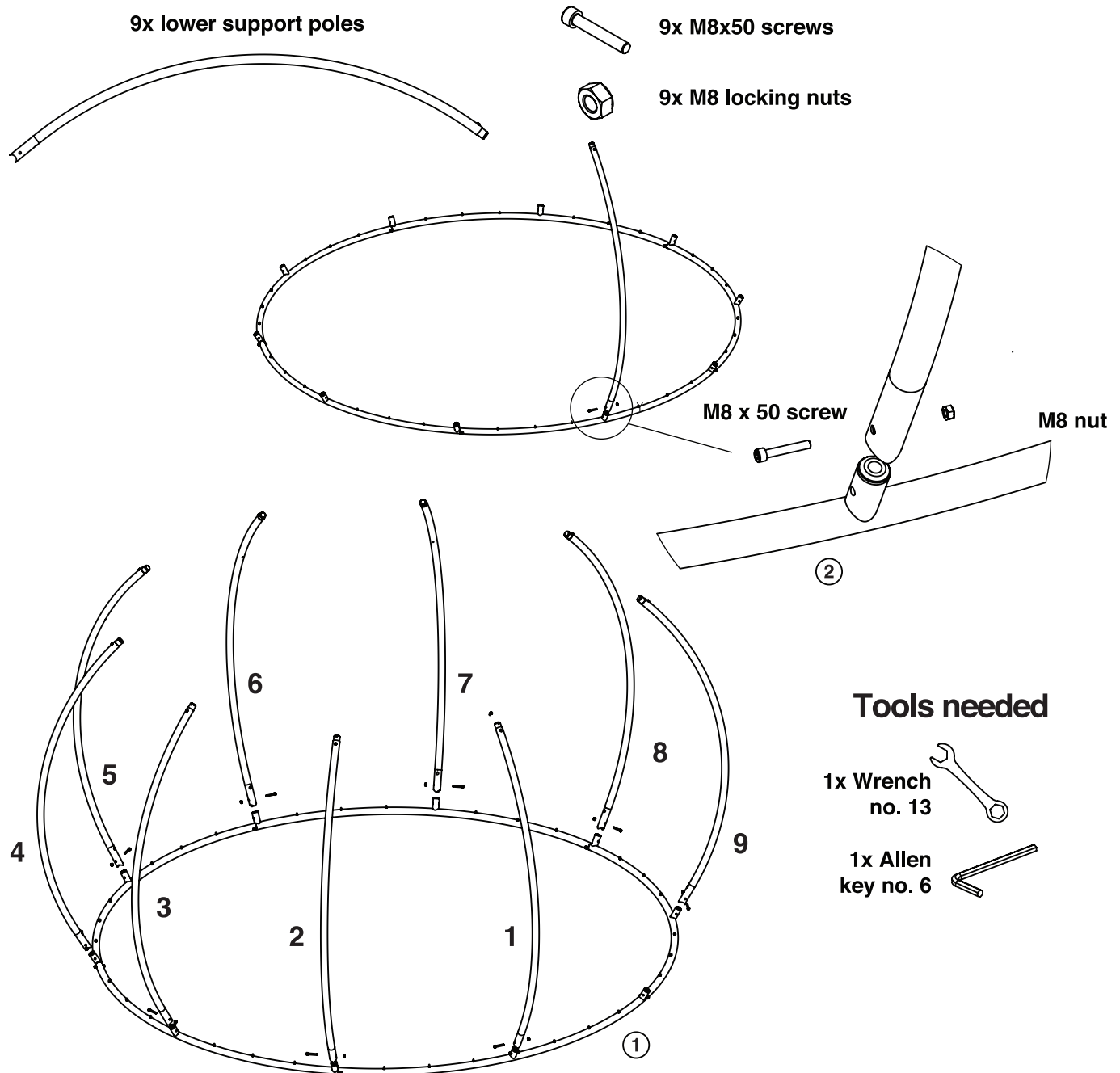
Secure the inclined bolts with the Allen key no. 6 and firmly tighten the screws using the wrench no. 13.



When installing the last rail, the second operator should apply some pressure on the opposite part of the base, using his foot, in order to properly align the rails.

Installing the lower support poles

Components



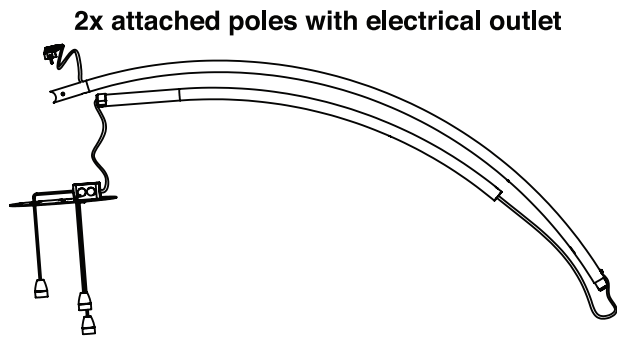
Mount the lower support poles (1). Identify the lower poles by the pre-mounted pin at one end and the circular milling at the other.

Use the M8x50 screws and M8 nuts to mount the lower poles on the base (2).

Secure the screws with the Allen key no. 6 and firmly tighten them using the wrench no. 13.

Installing the electrical outlet pole

Components



1x M8x50 screw



1x M8 locking nut



1x M8x25 domed head screw



2x M8x16 screws



2x M8 nuts



Be very careful not to harm or cut the electrical cable. We recommend an authorized electrician for this operation.

Drag the cable through the lower part of the pole while joining the two tubes at the same time.

Secure the two tubes together using the M8x25 domed screw and the Allen key no. 5 (1).

Mount the upper support pole to the central plate using the M8x16 screws and M8 nuts (2). Tighten them using the Allen key no. 5.

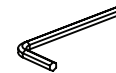
After the electrical outlet pole is completely installed on the ground, use the M8x50 screw and M8 nut to mount the lower pole on the base (3).

Tools needed

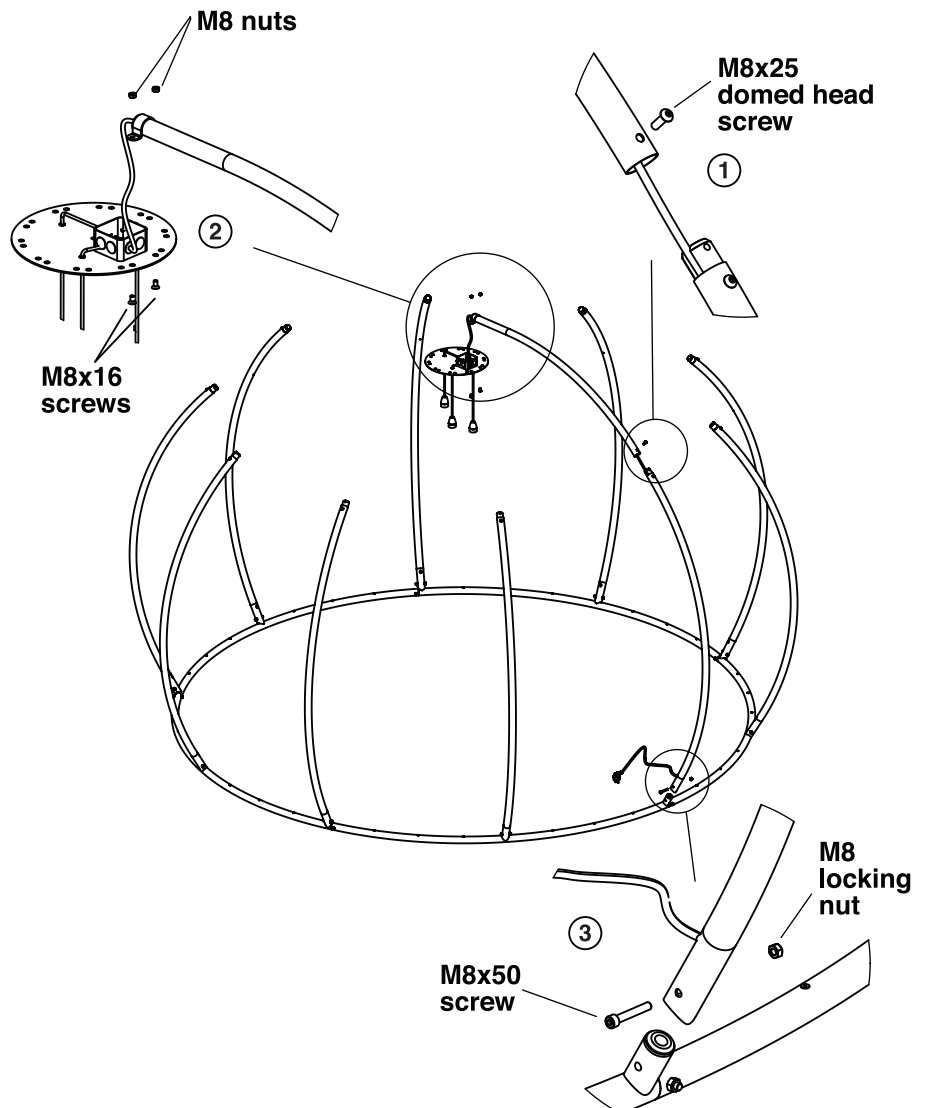
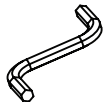
1x Wrench
no. 13



1x Allen
key no. 6



1x Allen
key no. 5




Installing the upper support poles


Components

9x upper support poles



9x M8 x 25 dome head screws 

18x M8 x 16 screws 

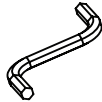
18x M8 nuts 

Tools needed

1x Wrench
no. 13



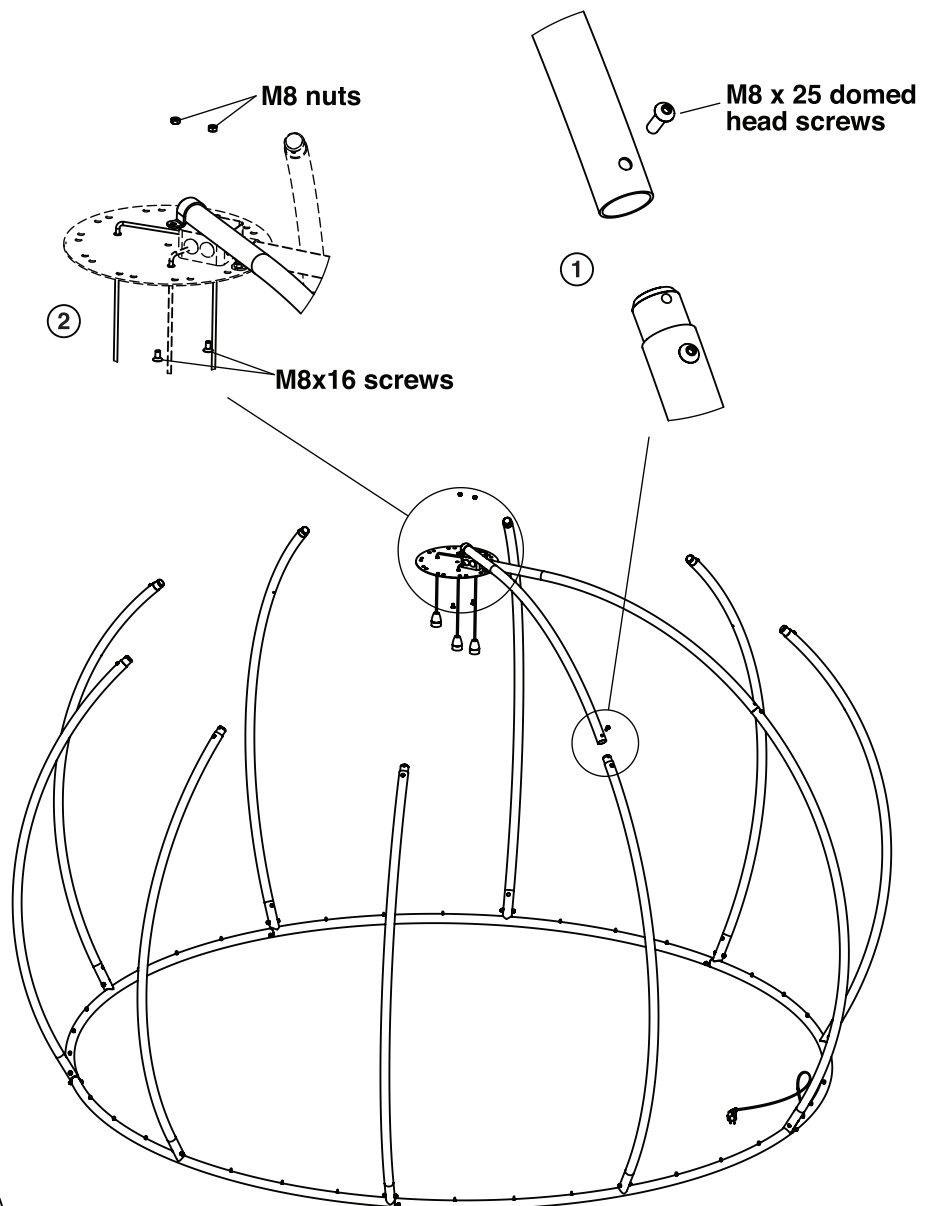
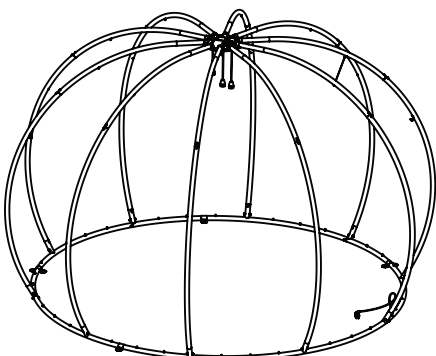
1x Allen
key no. 5



Connect the upper poles to the lower poles using the M8x25 domed screws and the Allen key no. 5 (1).

Mount the upper poles to the central plate one by one, using the M8x16 screws and M8 nuts (2).

Secure the screws using the Allen key no. 5 and wrench no. 13.



Mounting the accessories

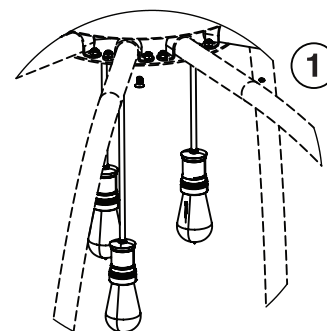
Components

2x M4x10 screws 

27x M4 eyes screws 

2x clothing racks 

3x Philips LED bulbs 



Tools needed

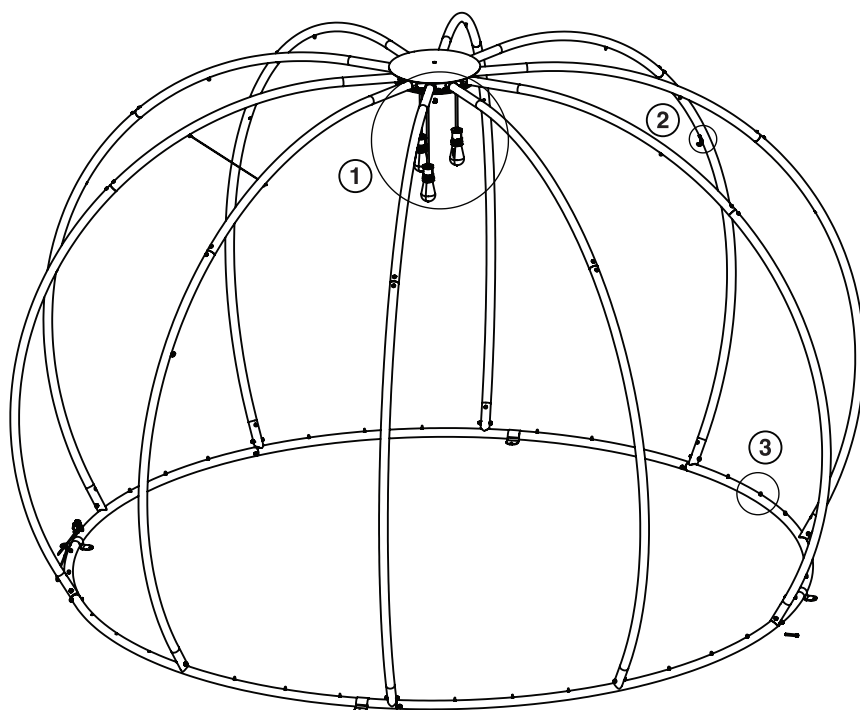
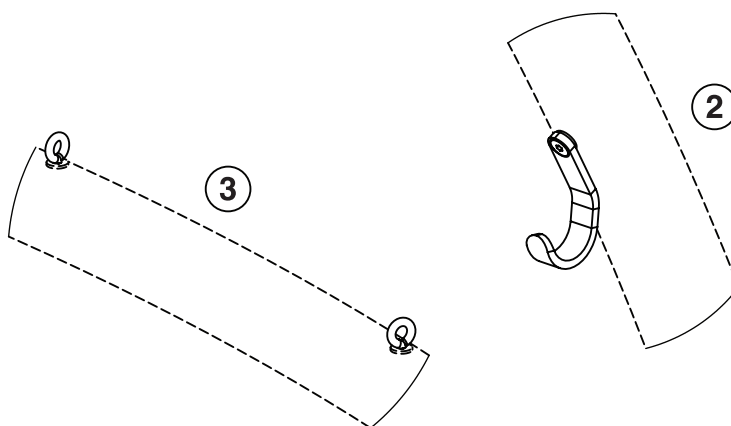
1x Allen key no. 2.5 

Mount the light bulbs on the 3 ceramic sockets of the central plate (1).

To protect the light bulbs, we recommend conducting this operation after the cover has been installed.

Mount the 2 hangers close to the door, using the M4x10 screws and the Allen key no. 2.5 (2).

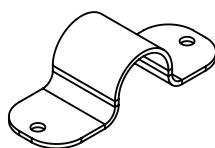
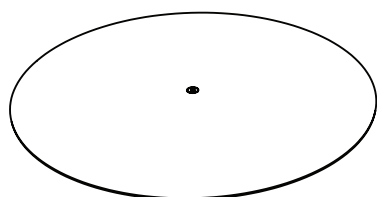
Screw the M4 eye screws all around the base rail (3).



Mounting the accessories

Components

- 1x door cable
- 1x top plate
- 5x aluminum clamp connectors
- 2x M4 screw eyes
- 1x M8 x 16 screw



Tools needed

- 1x Allen key no. 5

Install the door cable on the lateral poles of the door using 2 M4 screw eyes (1).

Put the PVC film on, completely covering the aluminium frame, as shown in the PVC Cover Instructions.

After the PVC film has been installed, mount the top plate on top of the central plate using the M8x16 screw and Allen key no. 5 (2).

In case of winds up to 61 kmh, the structure needs to be bolted to the floor using the provided clamp connectors (3) and 10 floor bolts (not included on the package).

In case of stronger winds, all covers are to be completely removed.

