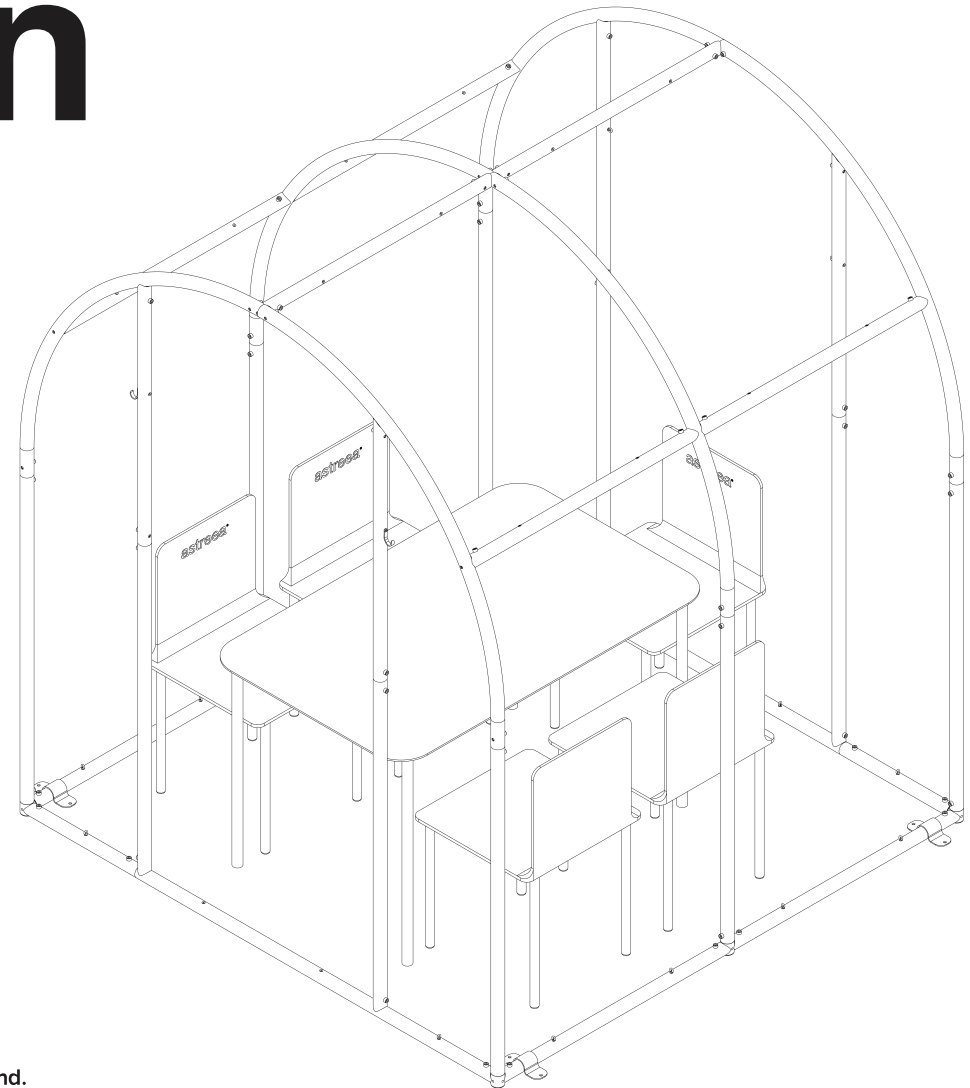


astreea® igloo

# Downtown

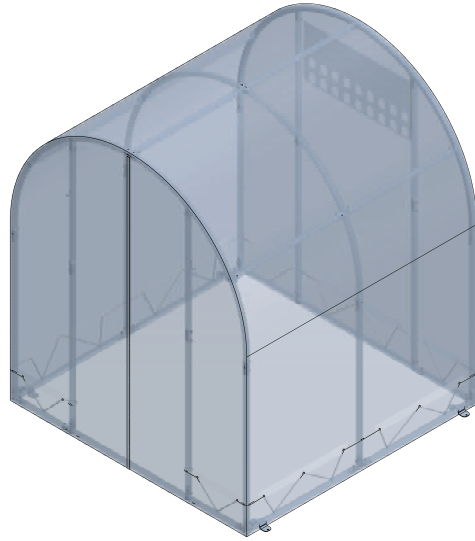
Quick Installation Guide



[www.astreea.com](http://www.astreea.com)



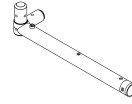
astreea® igloo An ARSAT® company brand.



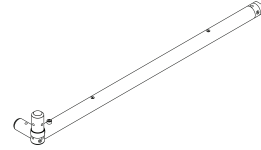
2 x LONG RAIL (no.1)



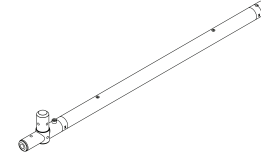
2 x SHORT RAIL (no.2)



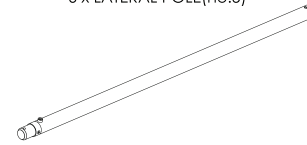
2 x LATERAL RAIL (no.3)



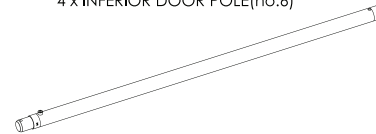
2 x LATERAL RAIL (no.4)



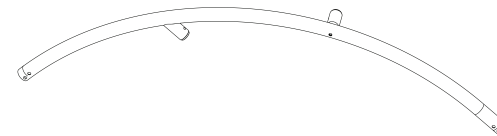
6 x LATERAL POLE(no.5)



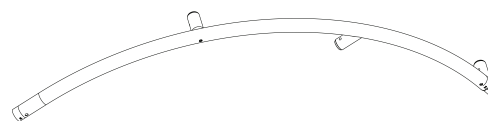
4 x INFERIOR DOOR POLE(no.6)



2 x ARC POLE(no.7)



2 x ARC POLE(no.8)



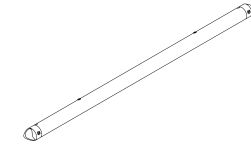
1 x CENTRAL ARC POLE - RH(no.9)



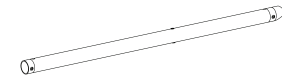
1 x CENTRAL ARC POLE - LH(no.10)



6 x REINFORCEMENT POLE(no.11)



4 x SUPERIOR DOOR POLE(no.12)



47x SCREW M8x35



4 x aluminium clamps connectors



2 x M4x10 screws



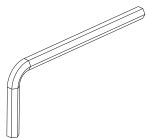
2 x aluminium clothing racks



34 x M4 eyes screws

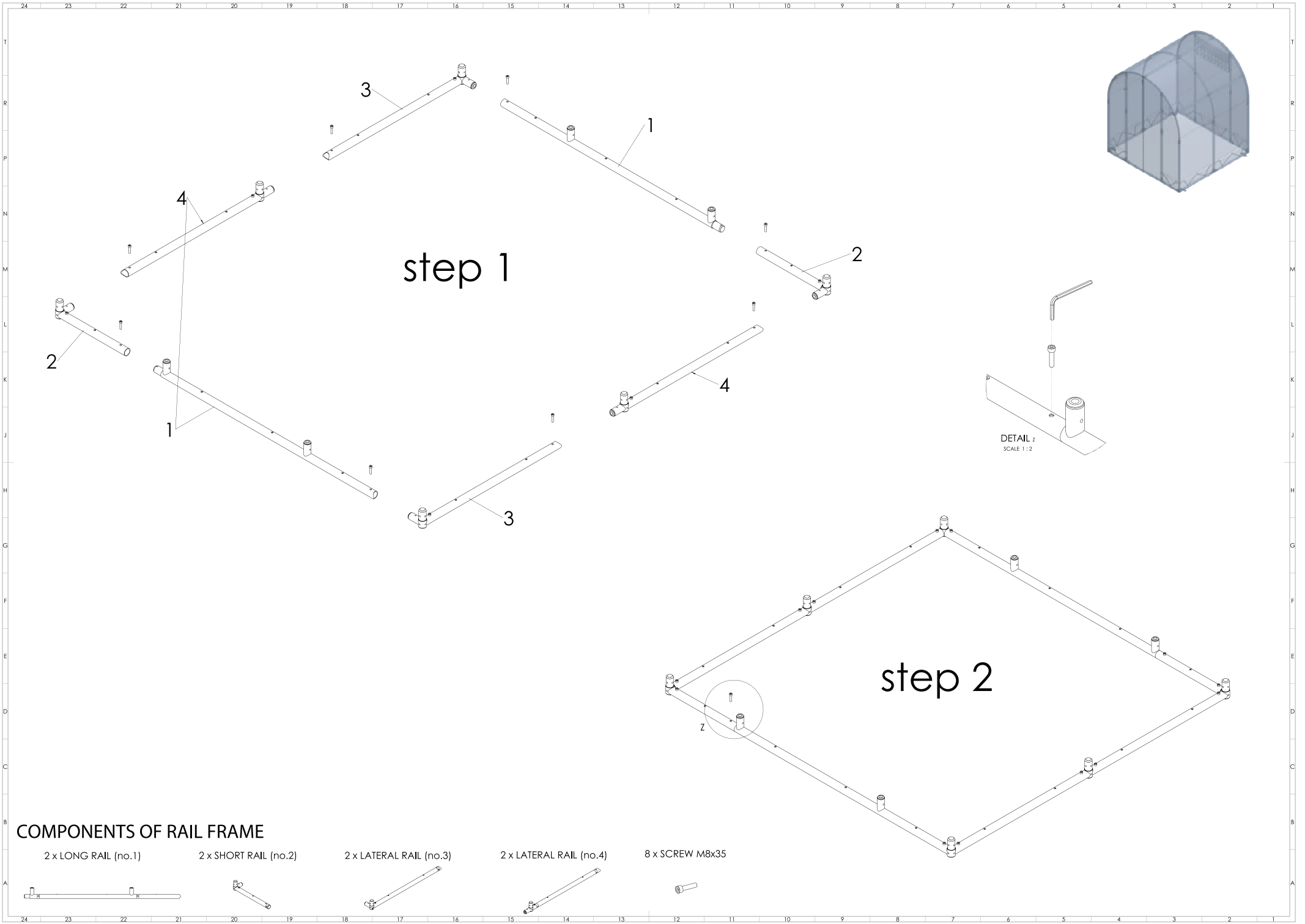


1x Allen key no.6 (for M8x50 screws )



1x Allen key no. 2.5 (for M4x10 screws)





step 1

step 2

DETAIL z  
SCALE 1:2

COMPONENTS OF RAIL FRAME

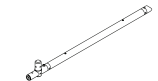
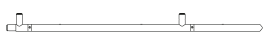
2 x LONG RAIL (no.1)

2 x SHORT RAIL (no.2)

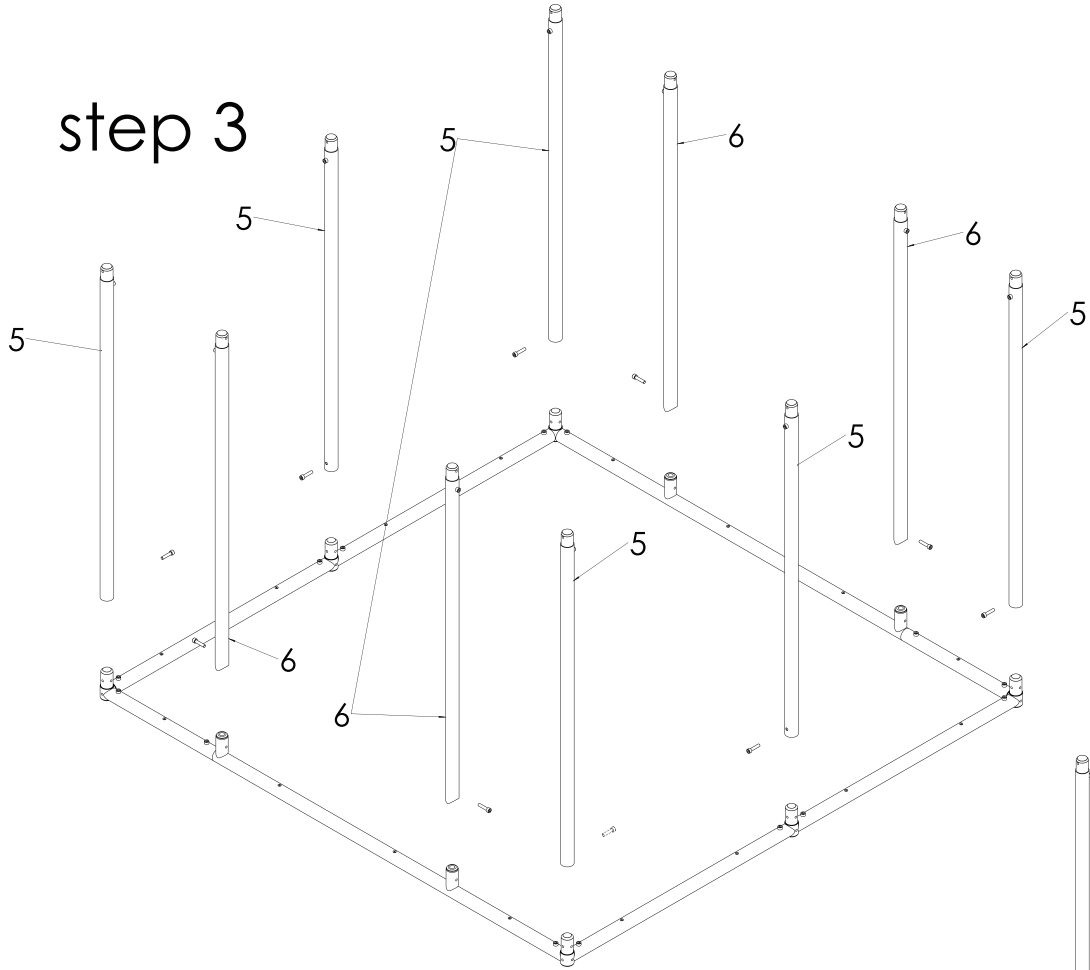
2 x LATERAL RAIL (no.3)

2 x LATERAL RAIL (no.4)

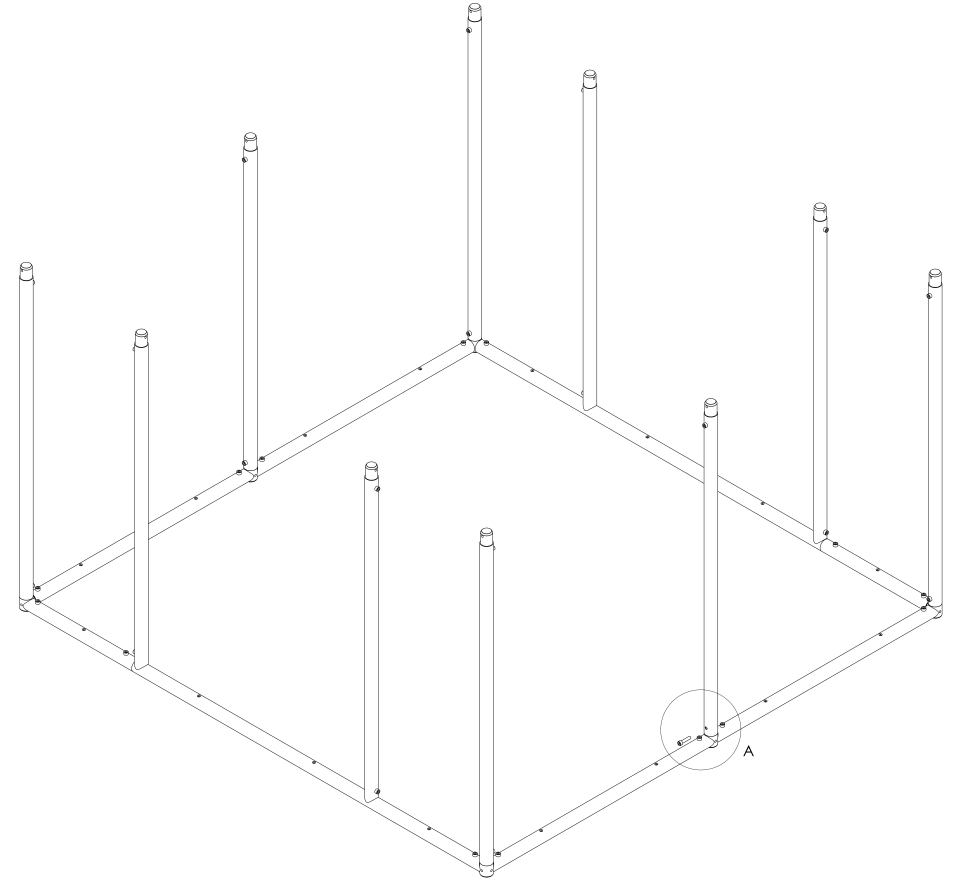
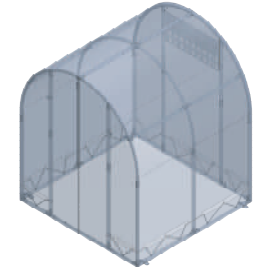
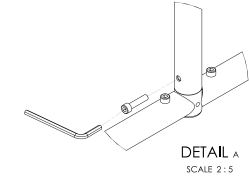
8 x SCREW M8x35



# step 3



# step 4



## COMPONENTS OF INFERIOR POLES

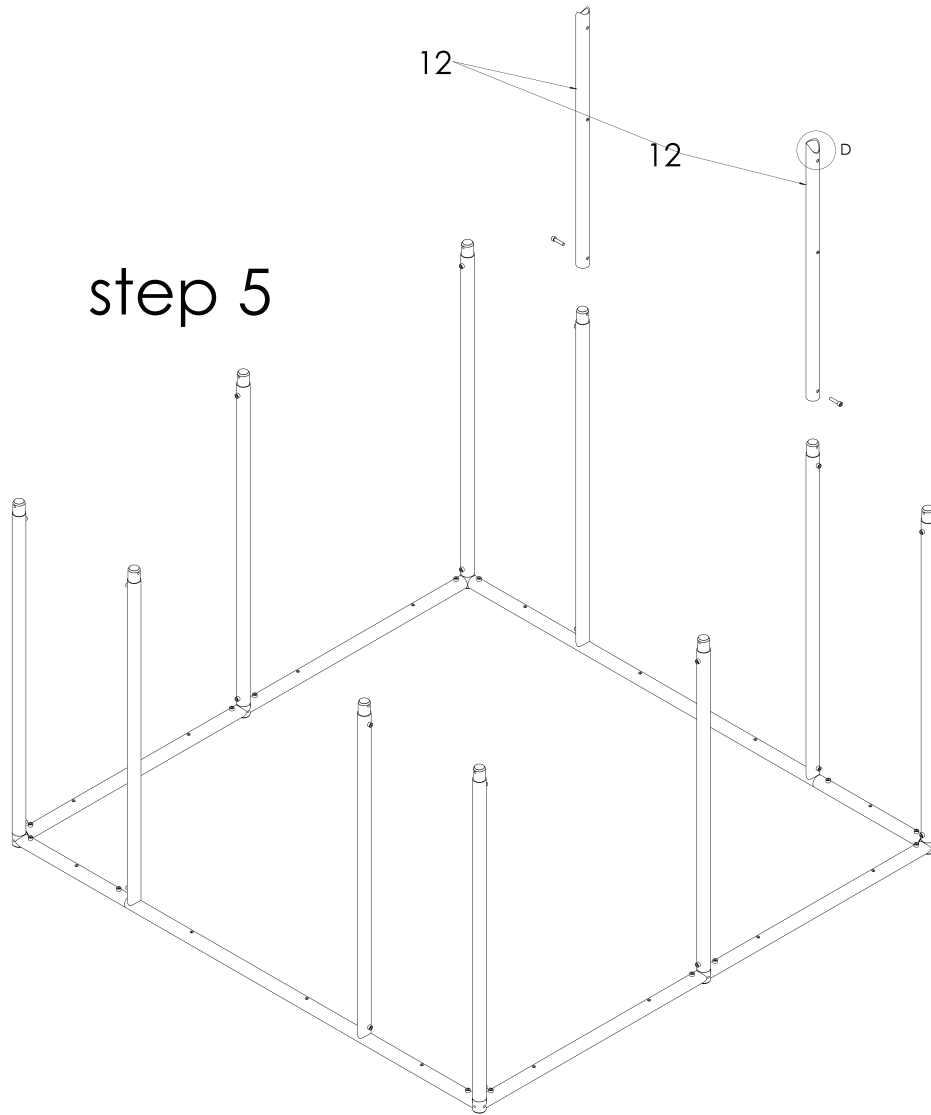
4 x INFERIOR DOOR POLE(no.6)

6 x LATERAL POLE(no.5)

10 x M8 x 35 screw

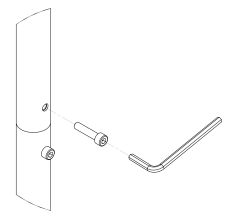


step 5



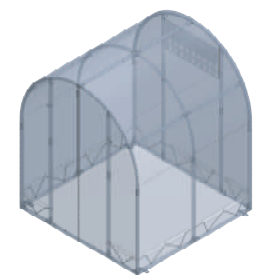
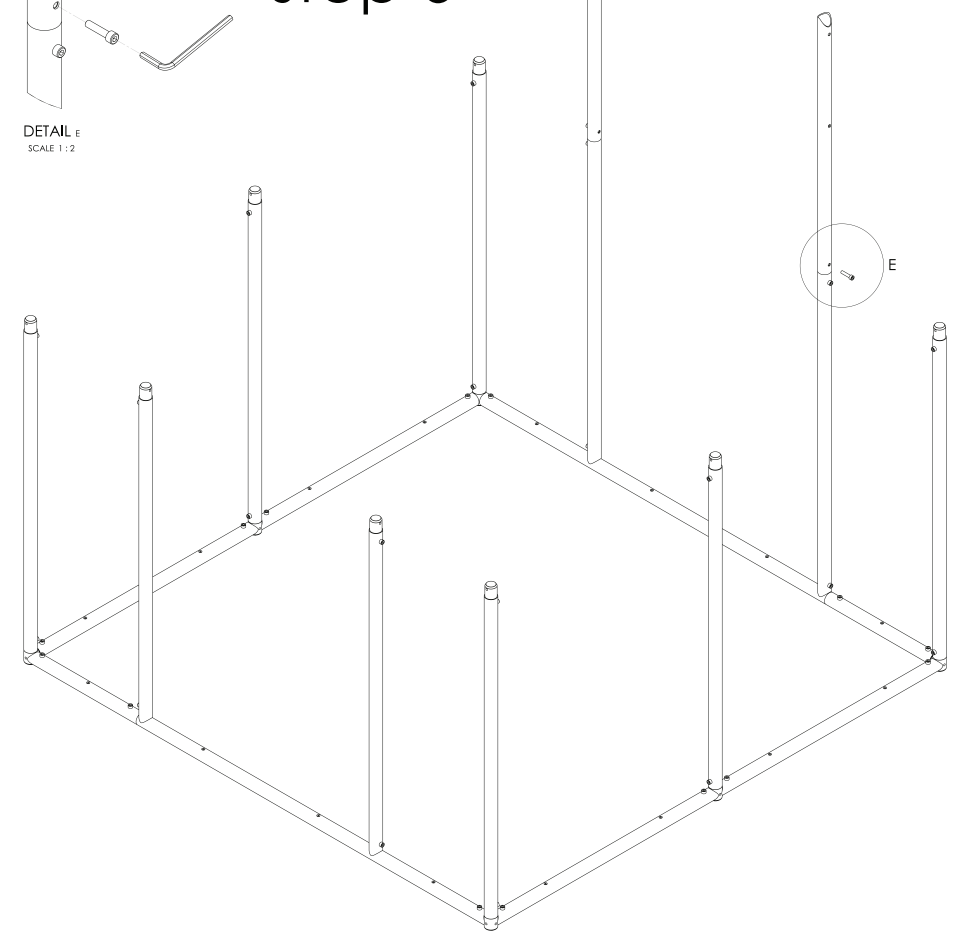
ATTENTION on the position of the gap!  
(on both sides)

DETAIL D  
SCALE 1:2



DETAIL E  
SCALE 1:2

step 6



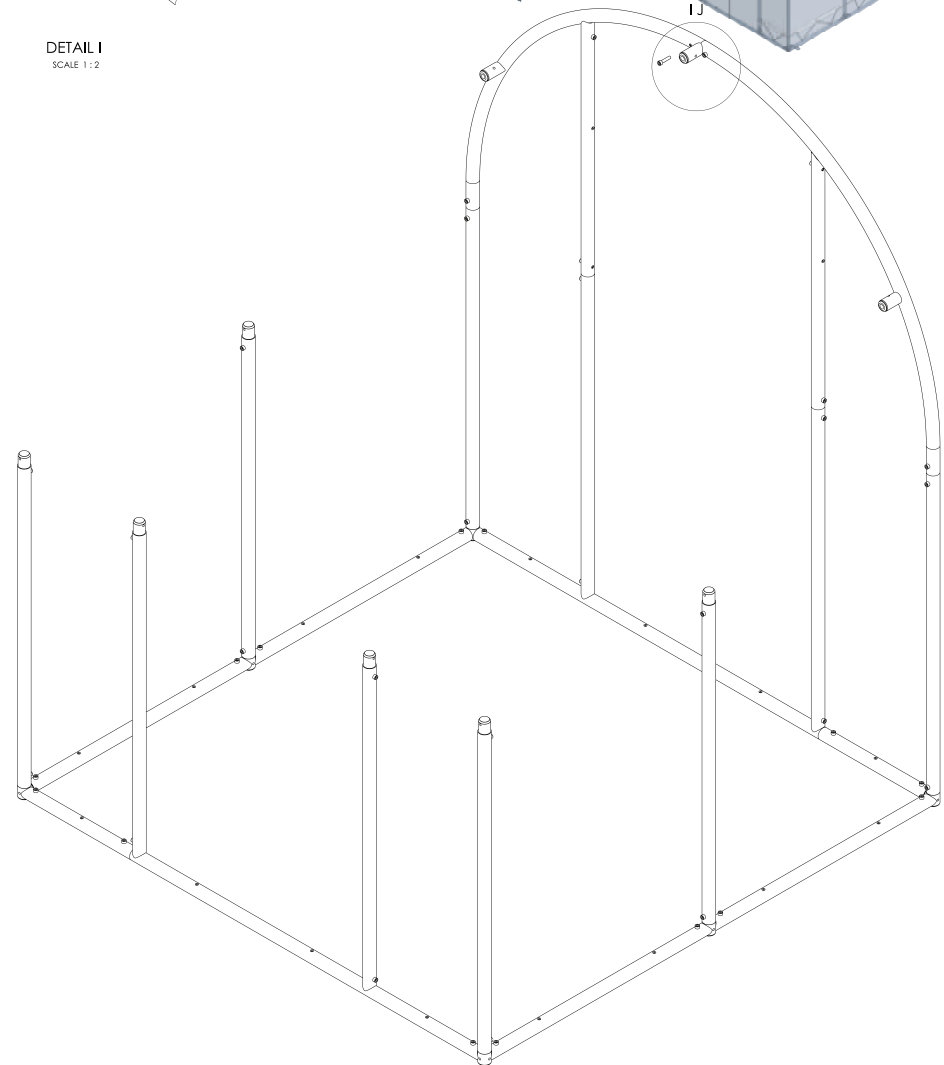
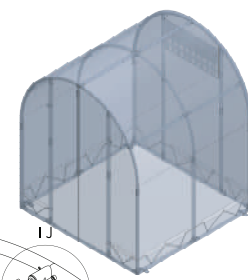
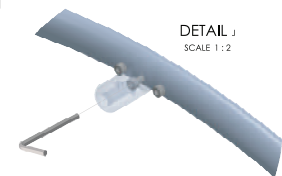
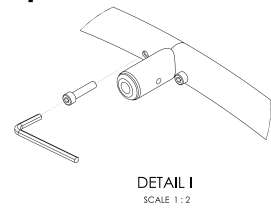
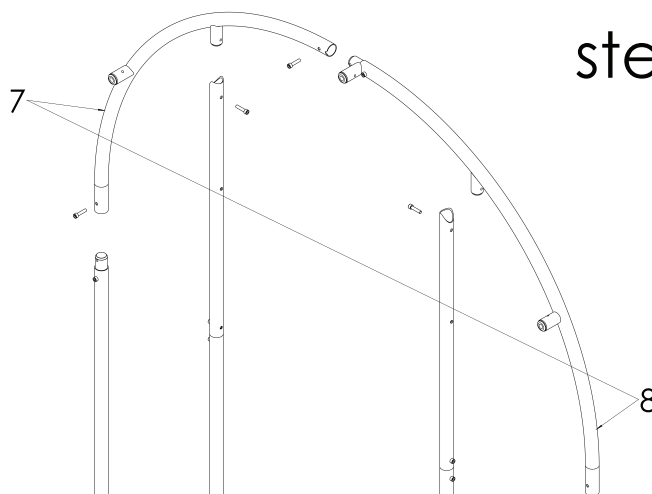
COMPONENTS OF SUPERIOR POLES

- 2 x ARC POLE(no.7)
- 2 x ARC POLE(no.8)
- 1 x CENTRAL ARC POLE - RH(no.9)
- 1 x CENTRAL ARC POLE - LH(no.10)
- 6 x REINFORCEMENT POLE(no.11)
- 4 x SUPERIOR DOOR POLE(no.12)
- 29 x M8x35 SCREW

step 7

step 8

step 9



**COMPONENTS OF SUPERIOR POLES**

2 x ARC POLE(no.7)

2 x ARC POLE(no.8)

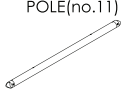
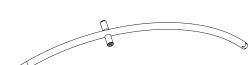
1 x CENTRAL ARC POLE - RH(no.9)

1 x CENTRAL ARC POLE - LH(no.10)

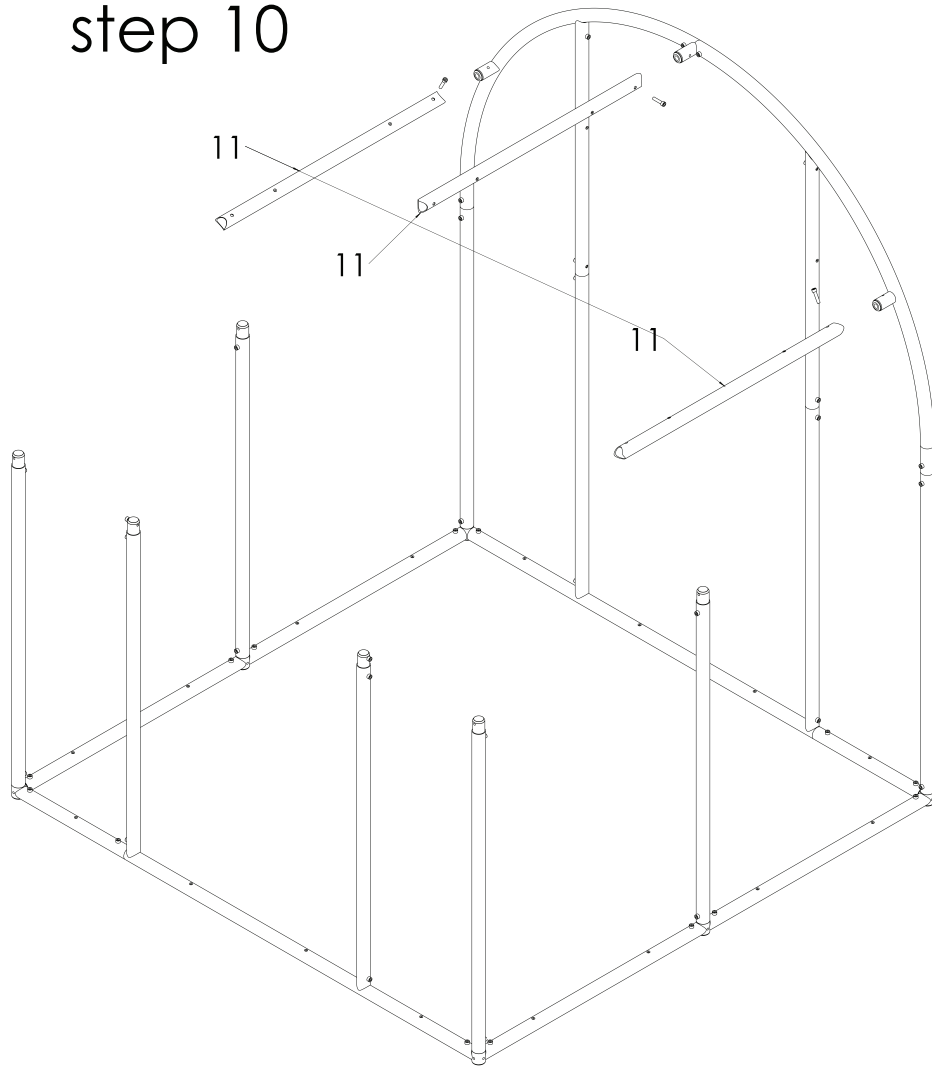
6 x REINFORCEMENT POLE(no.11)

4 x SUPERIOR DOOR POLE(no.12)

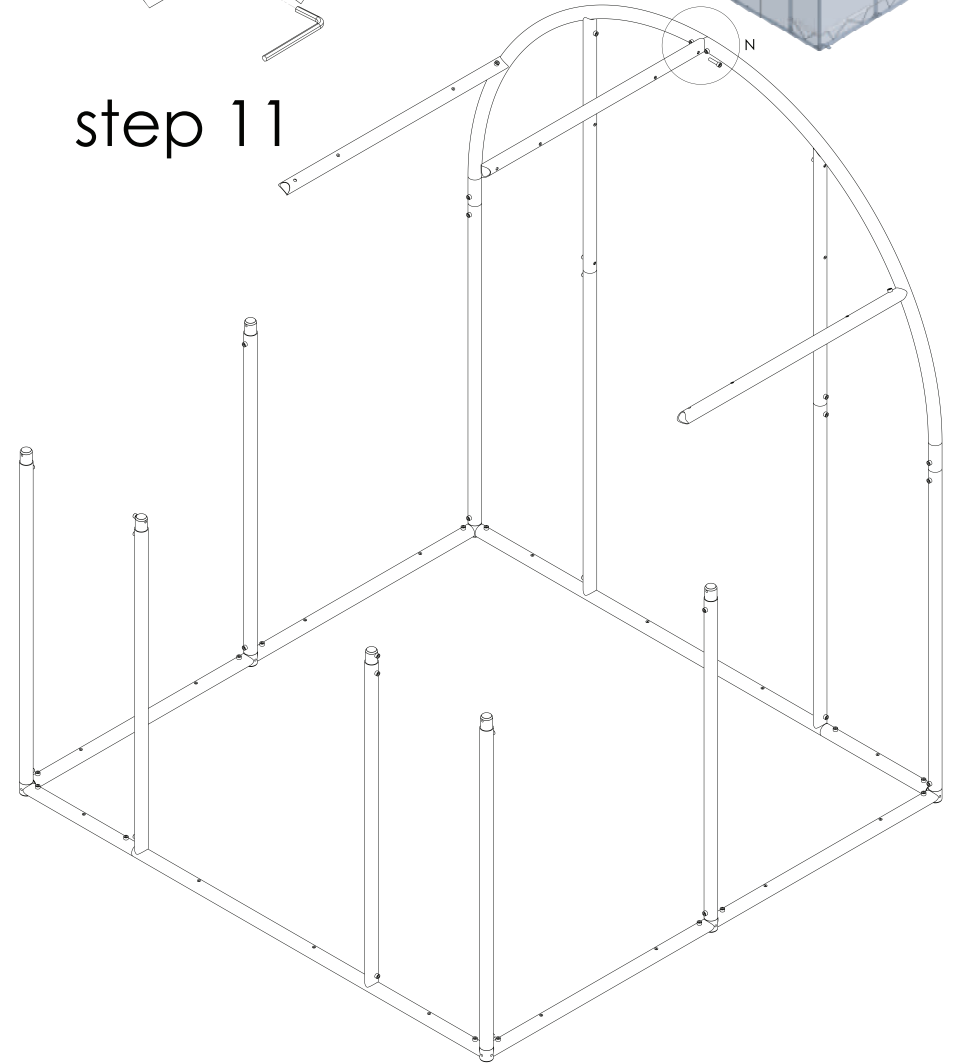
29 x M8x35 SCREW



step 10



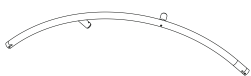
step 11



DETAIL N  
SCALE 1:2

COMPONENTS OF SUPERIOR POLES

2 x ARC POLE(no.7)



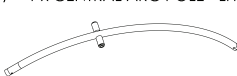
2 x ARC POLE(no.8)



1 x CENTRAL ARC POLE - RH(no.9)



1 x CENTRAL ARC POLE - LH(no.10)



6 x REINFORCEMENT  
POLE(no.11)



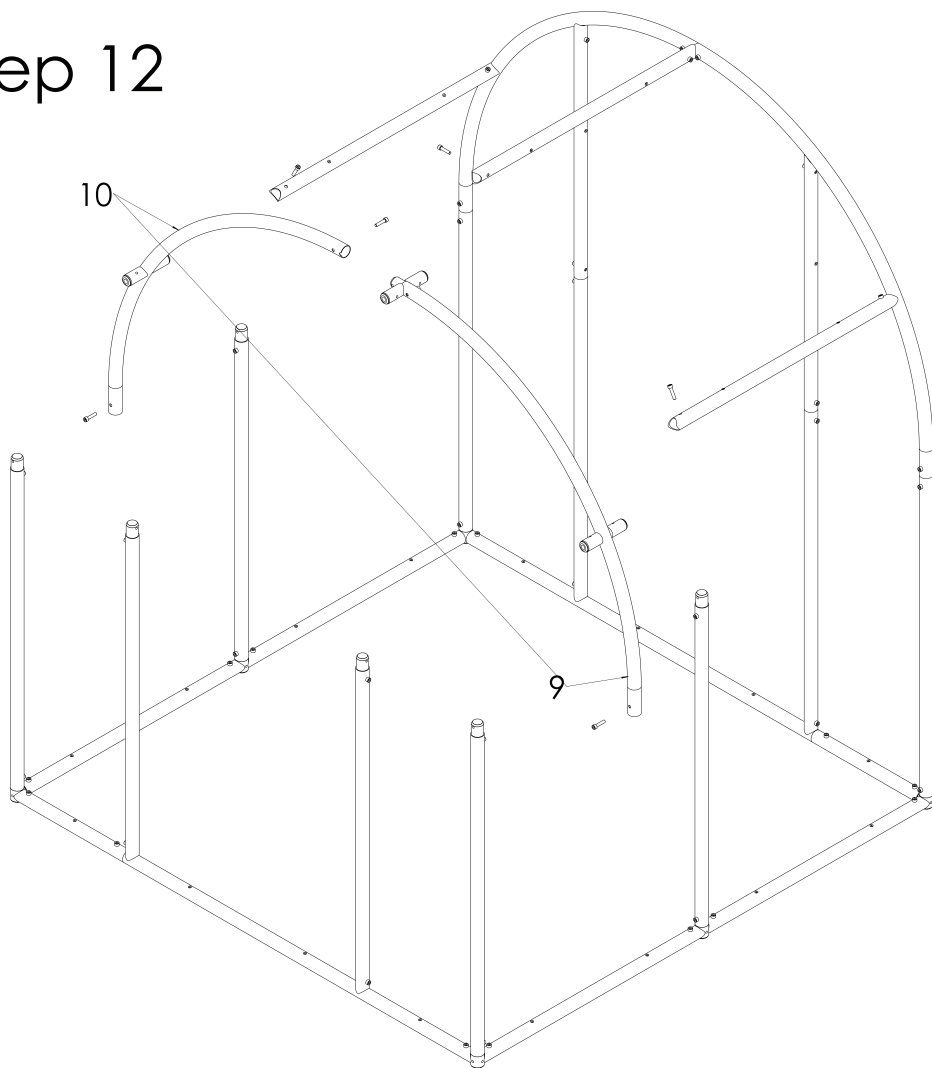
4 x SUPERIOR DOOR POLE(no.12)



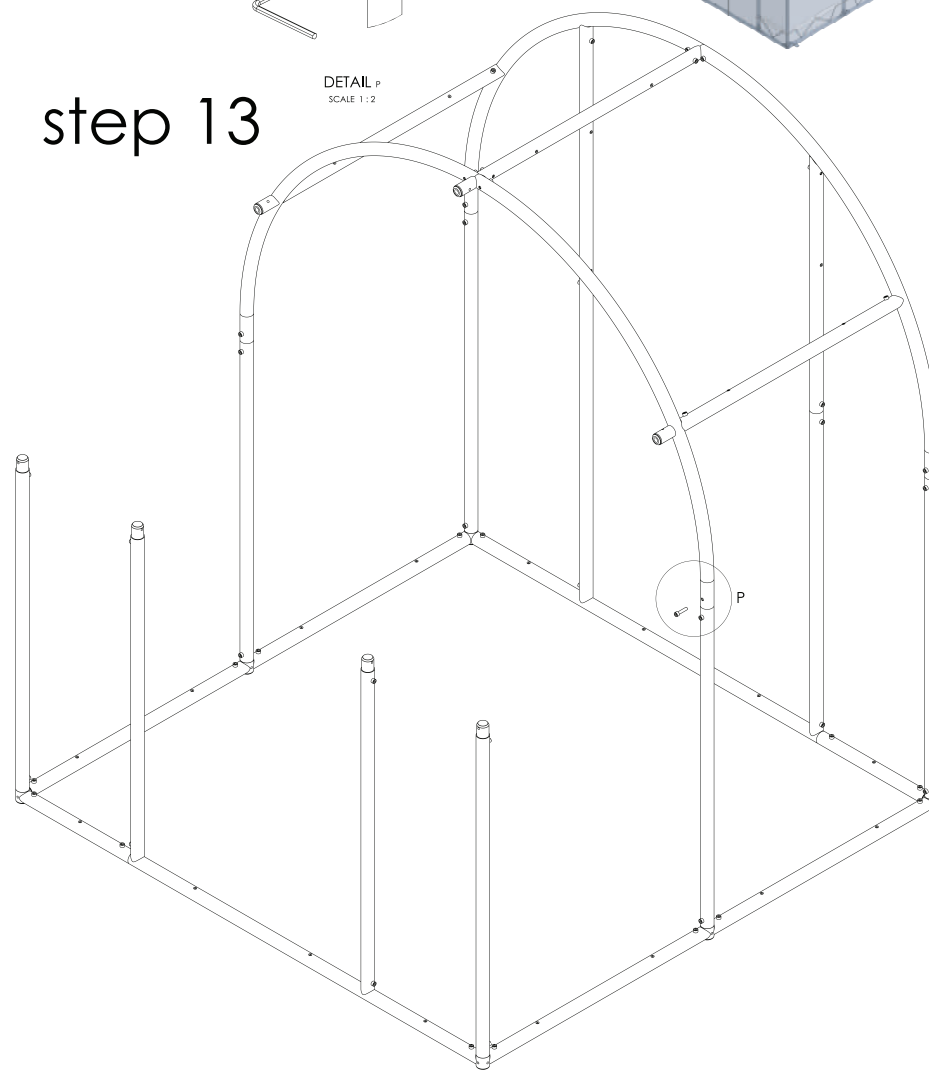
29 x M8x35 SCREW



# step 12



# step 13



## COMPONENTS OF SUPERIOR POLES

2 x ARC POLE(no.7)

2 x ARC POLE(no.8)

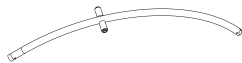
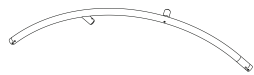
1 x CENTRAL ARC POLE - RH(no.9)

1 x CENTRAL ARC POLE - LH(no.10)

6 x REINFORCEMENT POLE(no.11)

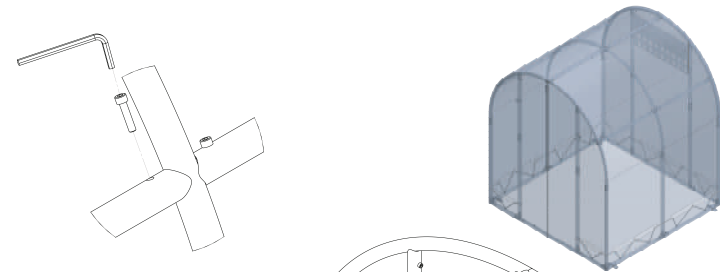
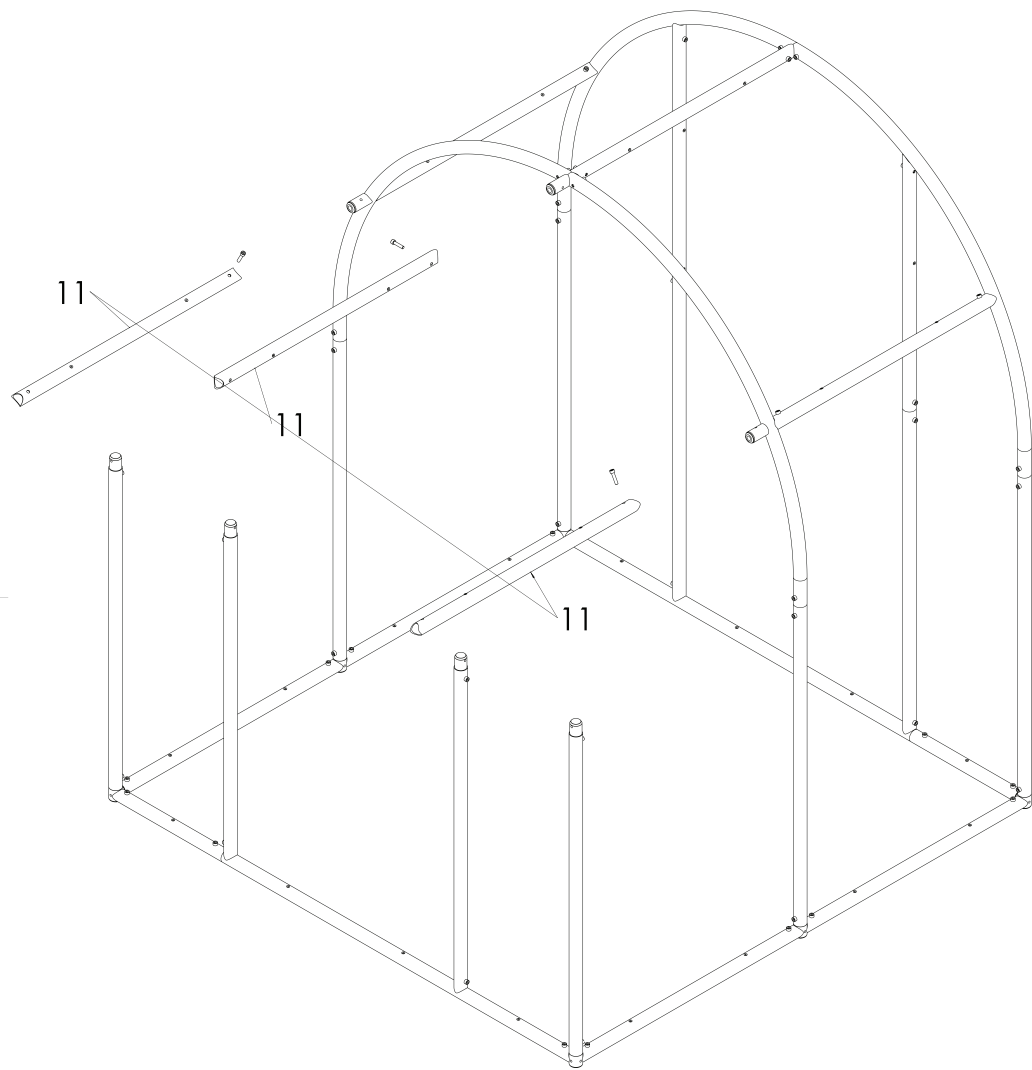
4 x SUPERIOR DOOR POLE(no.12)

29 x M8x35 SCREW

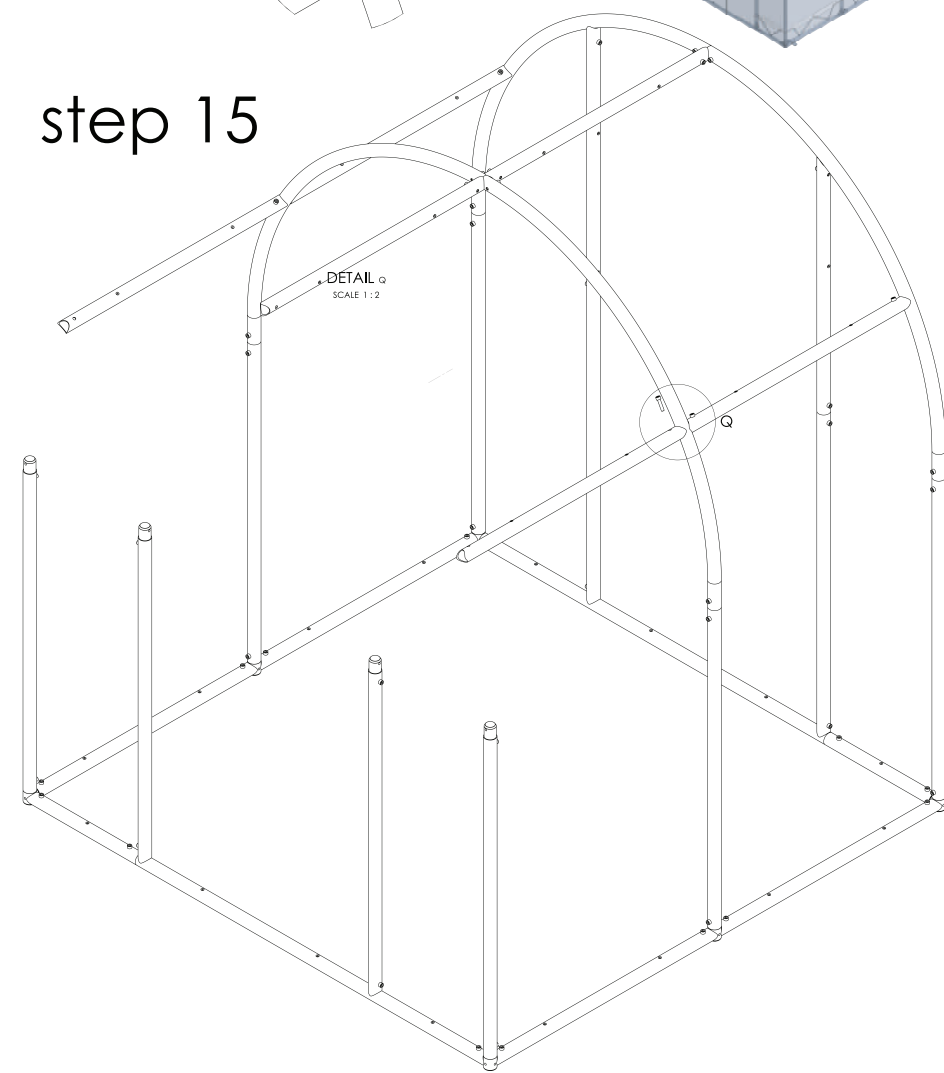







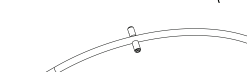



# step 14



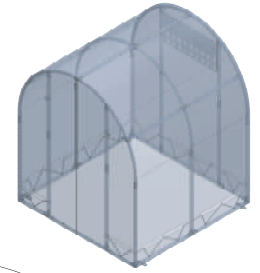
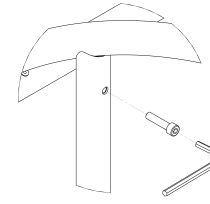
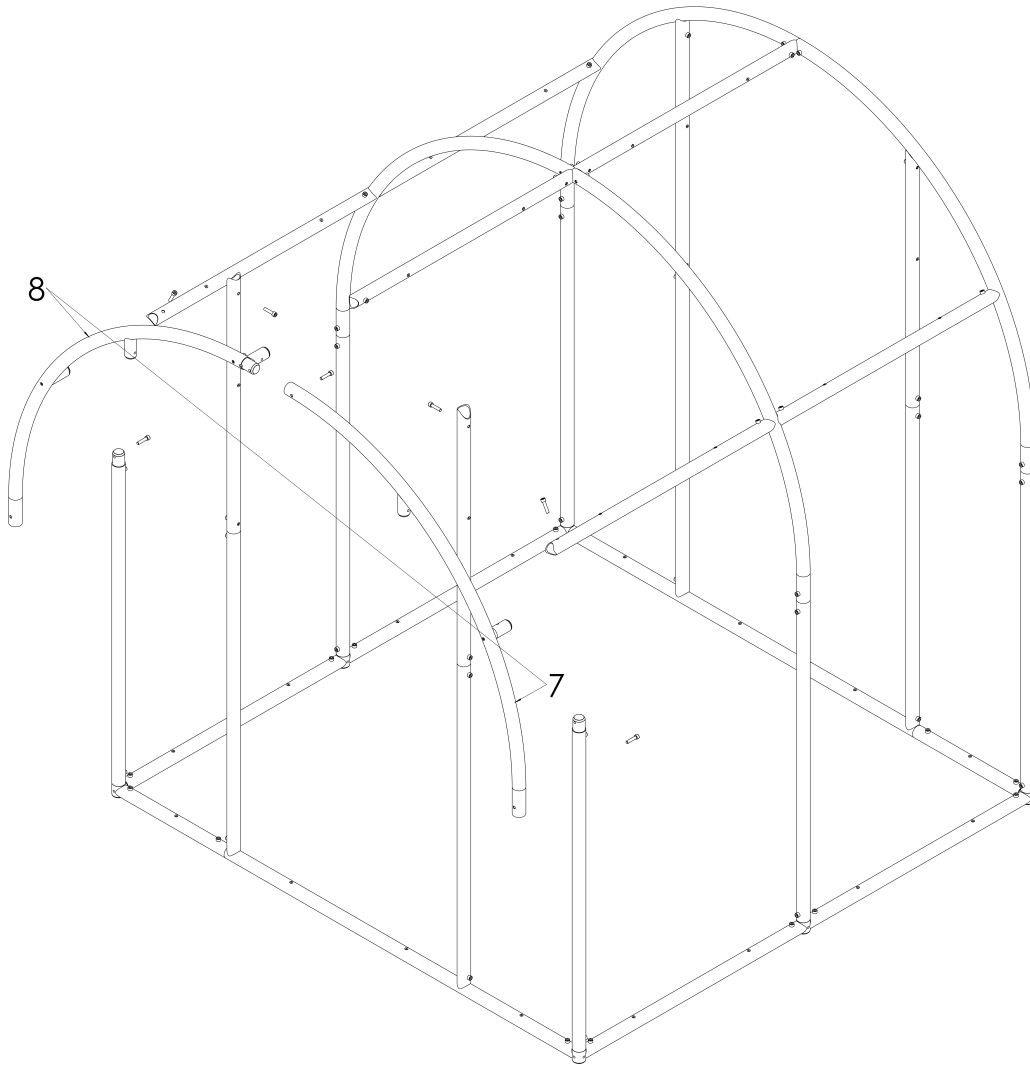
# step 15



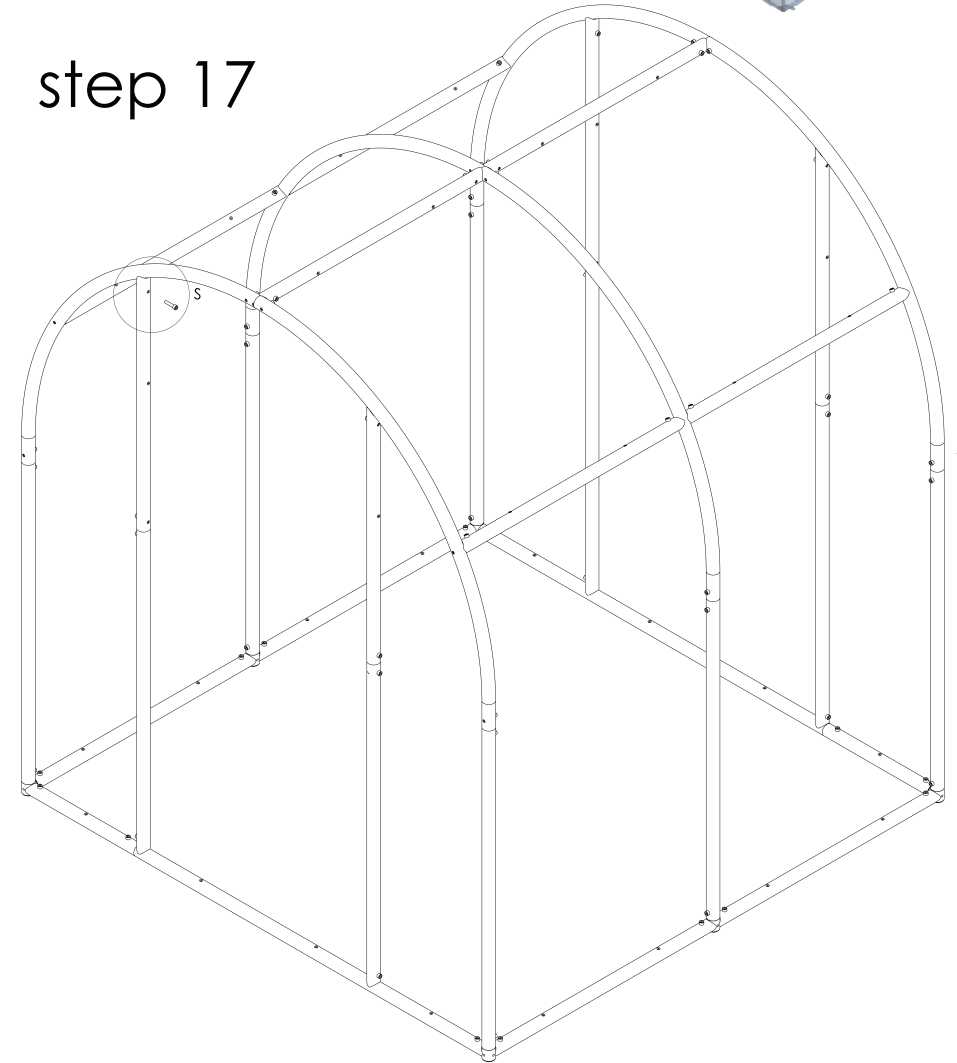
## COMPONENTS OF SUPERIOR POLES

- 2 x ARC POLE(no.7)  

- 2 x ARC POLE(no.8)  

- 1 x CENTRAL ARC POLE - RH(no.9)  

- 1 x CENTRAL ARC POLE - LH(no.10)  

- 6 x REINFORCEMENT POLE(no.11)  

- 4 x SUPERIOR DOOR POLE(no.12)  

- 29 x M8x35 SCREW  


# step 16



# step 17



## COMPONENTS OF SUPERIOR POLES

2 x ARC POLE(no.7)

2 x ARC POLE(no.8)

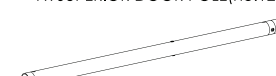
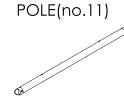
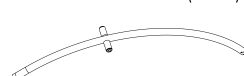
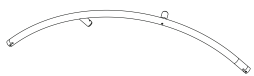
1 x CENTRAL ARC POLE - RH(no.9)

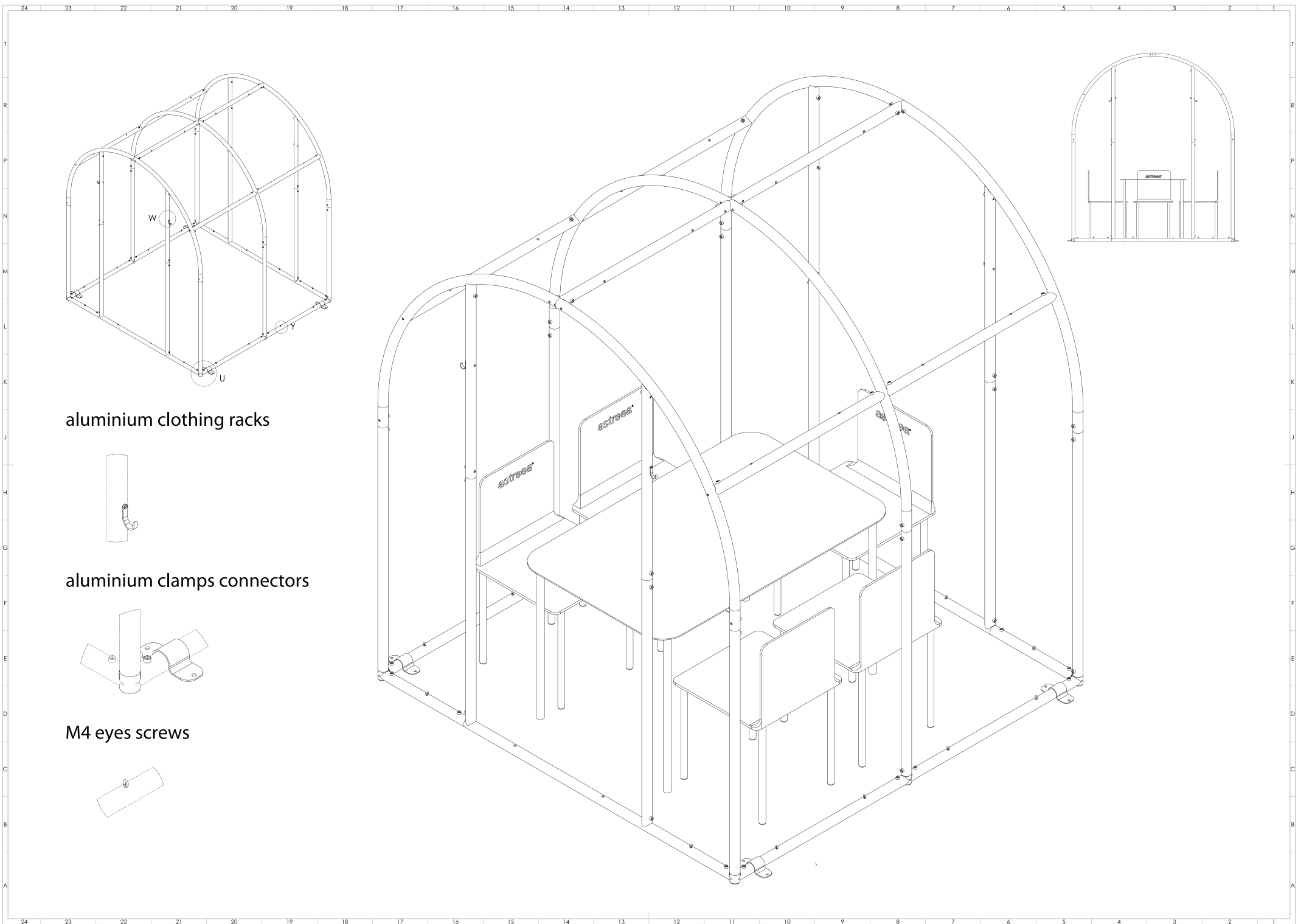
1 x CENTRAL ARC POLE - LH(no.10)

6 x REINFORCEMENT POLE(no.11)

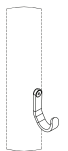
4 x SUPERIOR DOOR POLE(no.12)

29 x SCREW M8X35

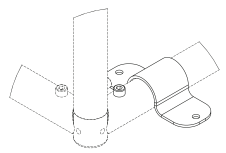




aluminium clothing racks



aluminium clamps connectors



M4 eyes screws



# astræa® igloo

[www.astreea.com](http://www.astreea.com)



VISIT US!