

# **Dignity Lifts XL1 Bariatric Toilet Lift**

## **Owner's Manual**

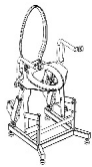


**DignityLifts.com – (248)-602-0932**

# Thank You

Thank you for purchasing a Dignity Lifts toilet lift. Please read this manual carefully for proper installation. Also, you can find installation videos for all of our products at [DignityLifts.com](http://DignityLifts.com). Often, the videos describe things more completely than this manual has space for, so we suggest that if you get stuck, to watch our installation videos.

## PRODUCT PACKING



XL1 Toilet Lift base x 1



Armrest x 2



Remote control x 1



Armrest Installation Bolts and Hardware x 2



Foot x 4



Toilet Lid x 1



M6 Allen wrench x 1



Open-end wrench x 1



Owner's Manual



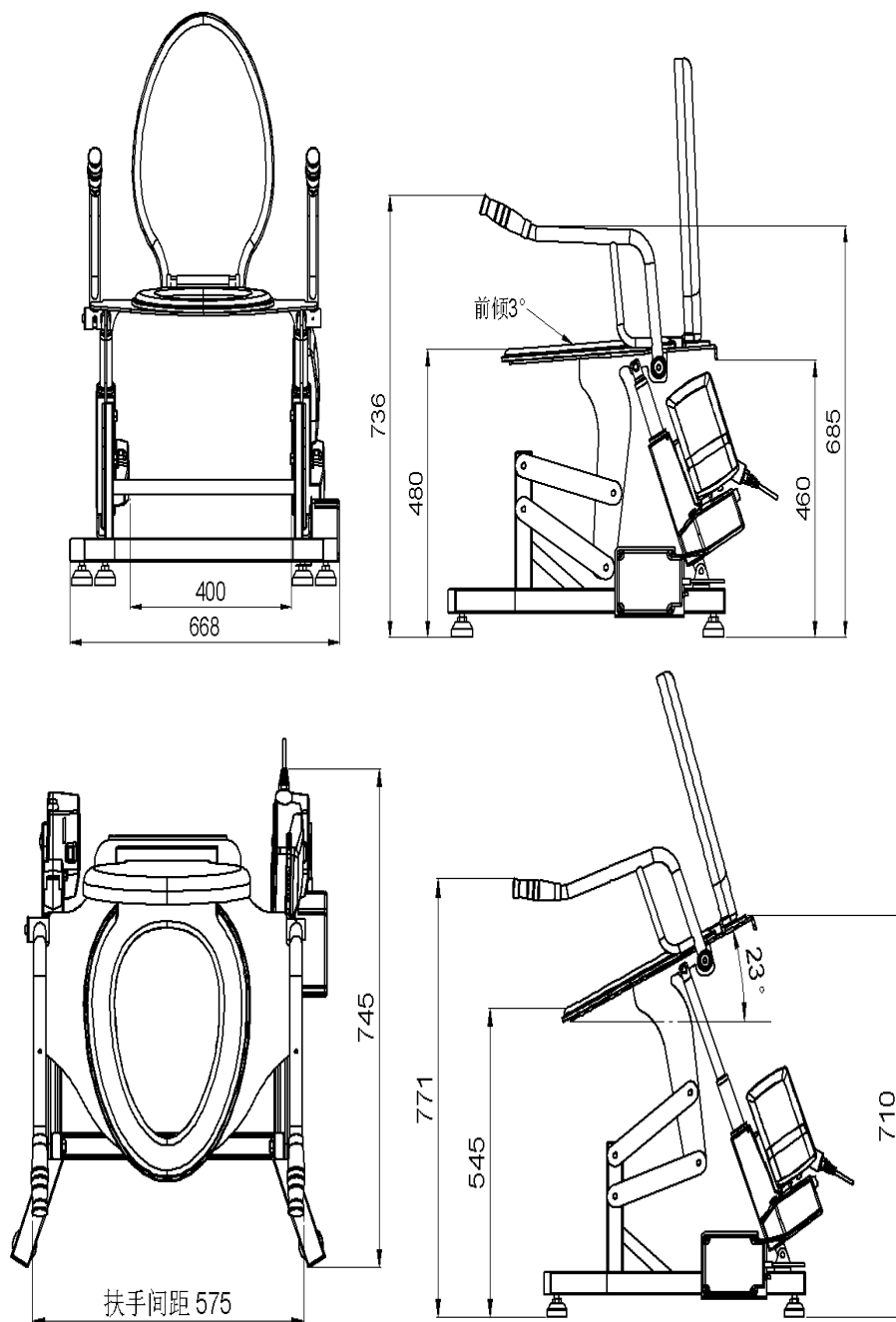
## **Safety / Warnings**

Toilet Lifts are best for people who can stand, but lack the ability to stand up from a low squat. Dignity Lifts manufacturer products that help them get back to their feet safely. If the user of this lift cannot stand on their own, please consult with an Occupational Therapist before proceeding.

Please be sure to read this manual carefully before installation and operate the lift correctly according to the content of the manual. The following precautions are important content related to safety, please be sure to follow them.

1. When in use, do not put your hand or fingers near the linkages on the side of the lift. This can cause pinching and other injury.
2. Be careful with the power cord. Electricity and water do not mix.
3. While this lift is capable of lifting a 650 pound person, the toilet seat is only capable of handling a maximum of 450 pounds. If you are between 450 pounds and 650 pounds, use the lift without installing the toilet seat.
4. The Lift is not waterproof. Keep away from any spray, bathtub, or the shower.
5. If you require more space than is available between the armrests, you may remove them. Doing so also removes a safe place to hold, so if you do remove them, be sure you have assistance in the bathroom.
6. Use standard bathroom cleaners. Avoid products with abrasives.
7. Children should not be allowed to play on the lift as the movement and linkages have the potential to injure.
8. Do not clean the lift with acid, alkaline detergent, acetone, or abrasive cleaner.
9. Keep the area around and in front of the lift free from obstacles to prevent tripping.

Product Dimensions (metric in mm)



# Technical Specifications

Product Name : Bariatric Lift XL1

Manufacturer : Dignity Lifts

Size : 28" Long x 30" Wide x 30" Tall

Product Surface : Powder Coated Steel

Power : 120V AC

Drive method : Dual Electric Actuators

Load Capacity : 650 pounds

Lifting Angle : 0~22°

Net Weight : 70 lbs., 83 lbs. in box

Power : 150W

Operation switch : Wired Remote

Power cord length : 9.6 feet

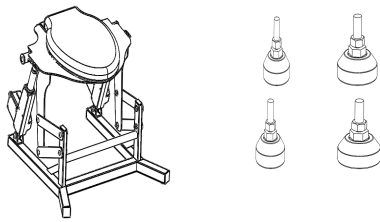
Waterproof level : Not Waterproof

Flip armrest : Horizontal backward flip 90°

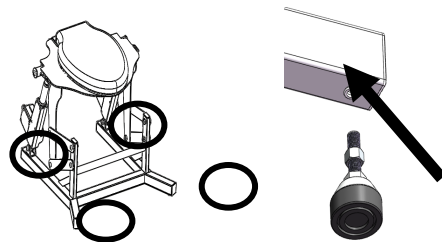
# Installation Guide

## 1. Feet installation

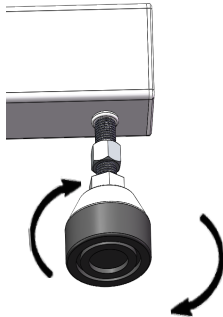
**1** First, take the toilet chair out of the carton and prepare 4 feet.



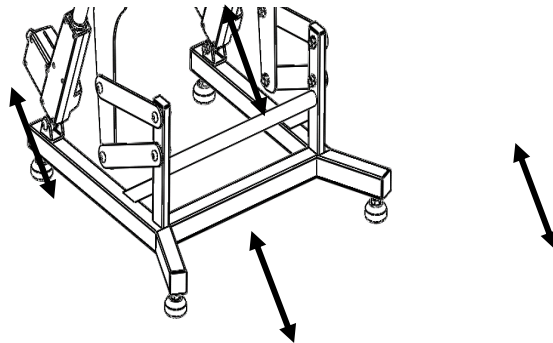
**2** Install the four feet in the holes on the bottom of the lift.



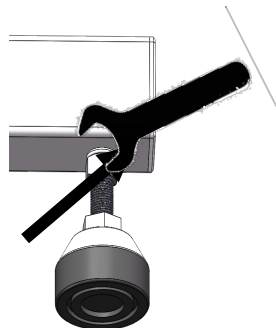
**3** Screw-in the feet.



**4** Adjust the height of the feet to position the lift just above the porcelain of your toilet.



**5** Tighten the lock nut upward with a wrench to complete the installation.

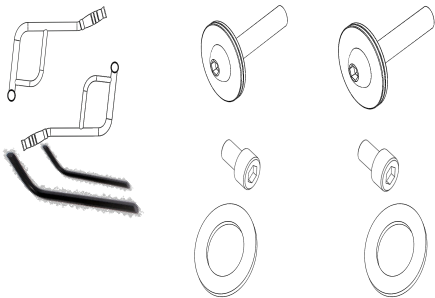


# Installation Guide

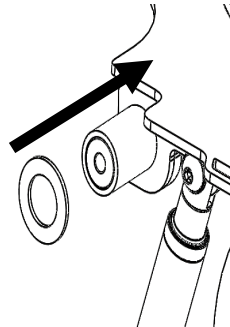
## 2. Armrest Installation (一)

---

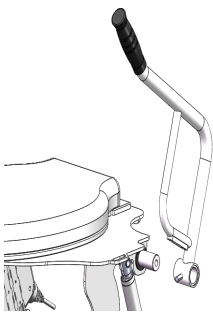
**1** Install the arm rests / hand rails



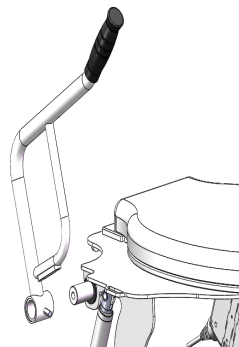
**2** Install the white plastic washer.



**3** Install handrails. (note: the left and right sides are different)



**4** Install handrails.(note: the left and right sides are different)





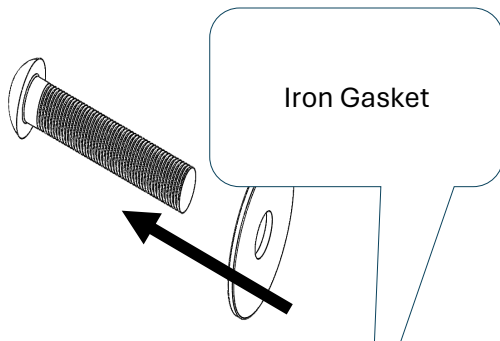
## Fast Installation Guide

### 3. Armrest Installation

(-)

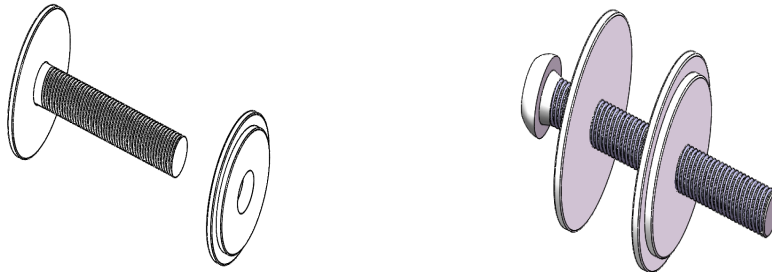
6

Position the steel washer on the bolt.



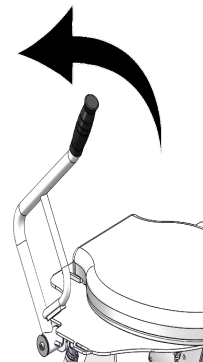
7

Then put the plastic washer on the bolt. (The stepped side of the plastic gasket faces away from the head of the bolt)



8

Install the armrest with the limiting knob below the lift's deck and the white rubber bumper above the deck. This will allow the armrest to pivot up and down. Tighten the screws, and the installation is complete.



## Installation Guide

### 4. Toilet seat cover

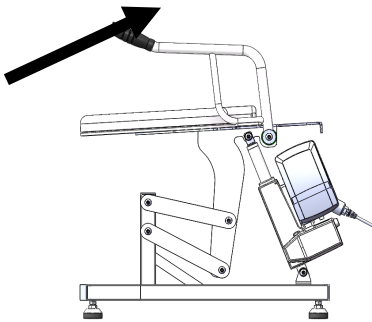
---

1

If the user is below 450 lbs. you can install the plastic toilet seat. This is a “top mount” toilet seat.

If the user is above 450 lbs, skip this step and only use the metal deck of the lift.

To install, bolt the mounting pins to the metal deck of the lift. Do not tighten the bolts fully so that you may adjust the alignment of the pins. When they are aligned properly, the lid should snap into place. .

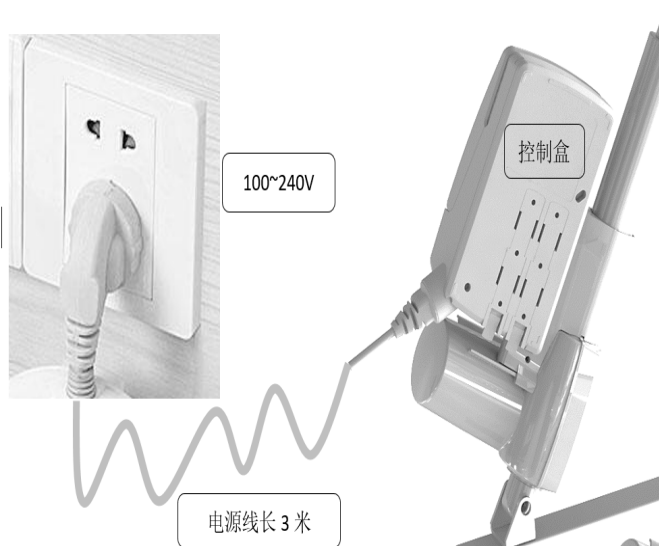


2

After the toilet lid is installed, If you want to remove the seat for cleaning or replacement, push the button on the center of the seat and lift it off.

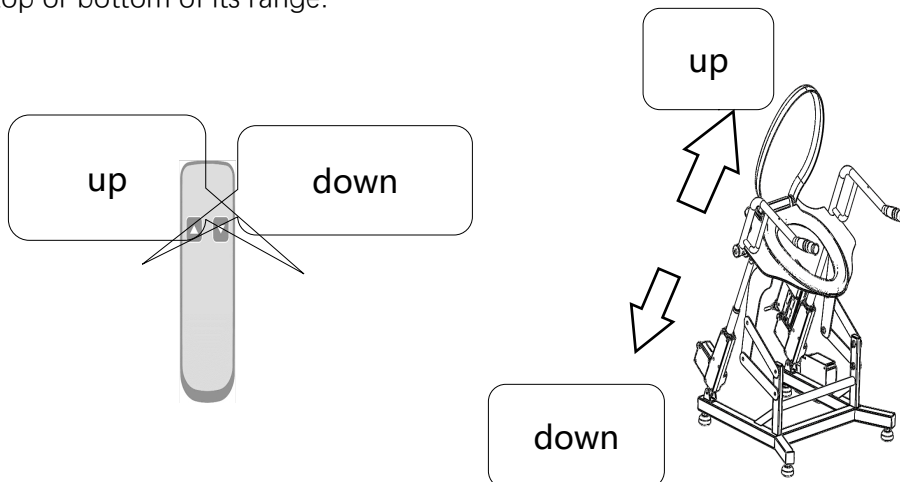
# How to Use

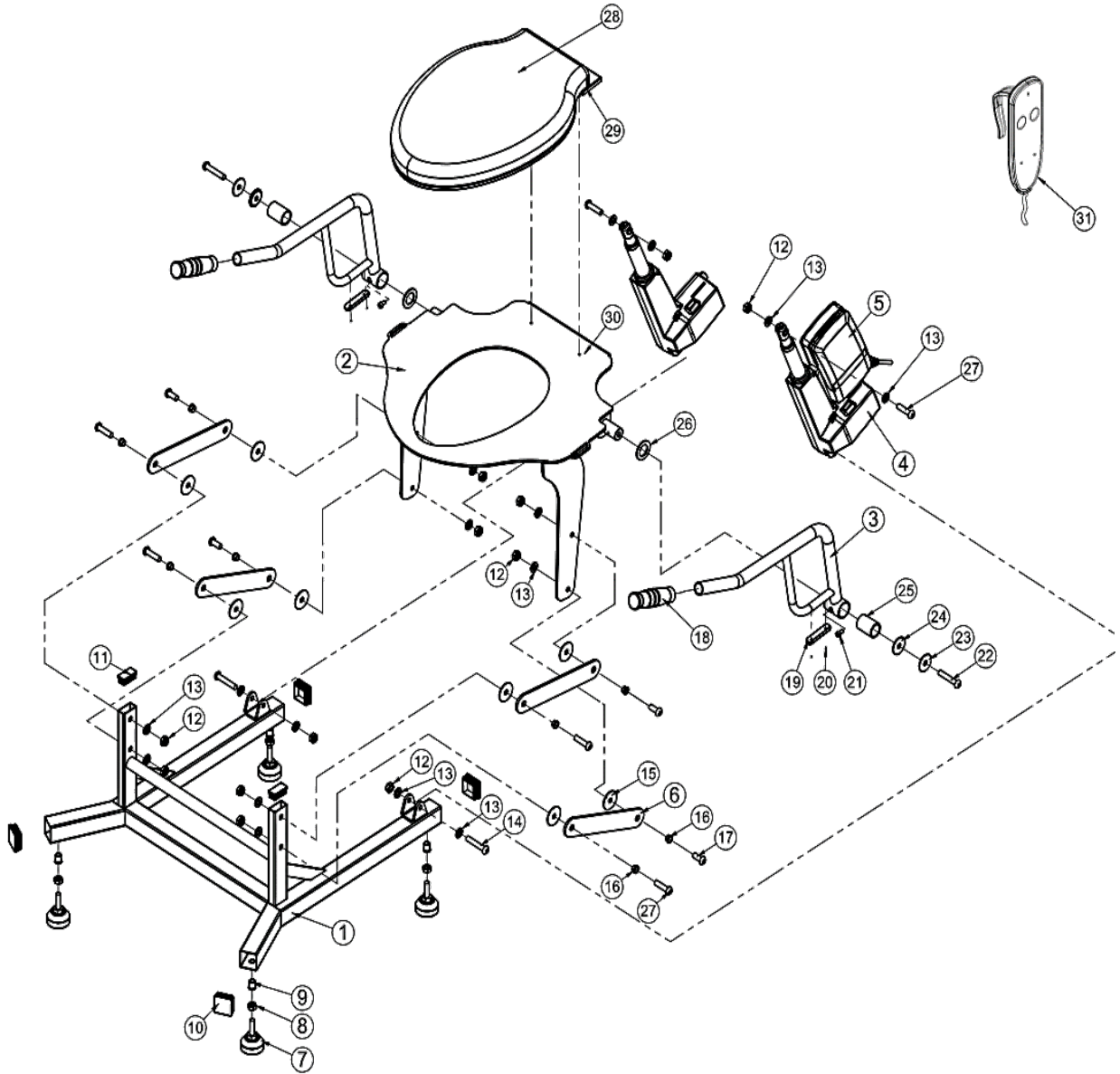
First : Connect the power cord to a power outlet



## Second : Use of manual controller

The user or their aid can raise and lower the lift with the up and down buttons. The lift will stop if the button is not held down. The lift will stop when it reaches the top or bottom of its range.





Parts Diagram

Questions? Tech Support: 248-602-0932