



# Mont Alpi

Peak Performance  
Grills



# Mont Alpi

## Our Story

Mont Alpi was born out of a genuine passion for the grilling industry. There is a definite need for a good all round grill that can make outdoor life fun and versatile. An aesthetically pleasing range to suit all needs.

*A family business* with over 45 years of industry experience and passion. Our grills are robust and expertly made to deliver the ultimate cooking experience demanded by seasoned BBQ Grillers. You don't have to be an expert to use Mont Alpi products, but all of your friends and family will think you are when they see and taste what you produce using your Mont Alpi Grill.

We are here to support and help you become the best chef in the neighborhood.

*Enjoy your grill !!*





**Mont Alpi**  
Peak Performance





# MAi805-D SERIES

## Mont Alpi 805 Deluxe Island

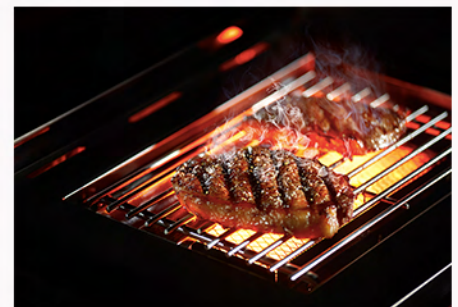


MAi805-D

- Six **304** Stainless Steel Burners
- Ceramic Infrared Rear Burner
- Ceramic Infrared Side Burner
- Composite Granite Surfaces and Sides (White)
- All **304** Stainless Steel components
- 8mm **304** Stainless Steel Cooking Grills
- Warming Rack **304** Stainless Steel
- Main Cooking Surface excluding Warming Rack 38"x18"
- Arrives Assembled
- 115,000 BTU Heat Output
- Temperature Gauge
- Rotisserie Kit with Electric Motor
- Bottle Opener
- Granite Chopping Board

94"

- Weather Cover
- Two Cooking Surface Halogen Lights
- On/Off Red/Blue Color Changing Control Knob Lights
- Electronic Ignition
- Gliding Rubber Castor Wheels and Leveling Feet
- Assembled Dimensions of Full Unit 94"x23"x35" (47" for grill top)
- Propane Ready, easily Convertible to Natural Gas
- Propane Hose and Regulator
- Propane Tank Pull Out
- Easy access Full Front Grease Tray
- Large Roller Ball Drawers





# MAi805-D

## SET UP OPTIONS



MAi805-D45



MAi805-D45FC



MAi805-D90C



MAi805-D90FC



MAi805-D90BEV



MAi805-D90BEVFC



MAi805-DBEV



MAi805-DBEVFC



MAi805-DFC



# MAi805 SERIES

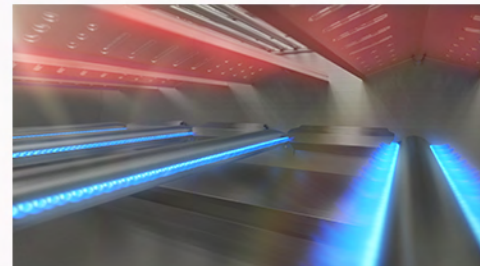
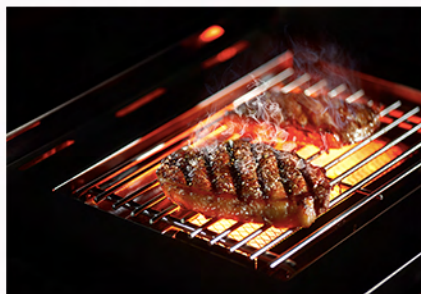
## Mont Alpi 805 Island



MAi805

94"

- Six **304** Stainless Steel Burners
- Ceramic Infrared Rear Burner
- Ceramic Infrared Side Burner
- Composite Granite Surfaces (White)
- All **304** Stainless Steel components
- 8mm **304** Stainless Steel Cooking Grills
- Warming rack **304** Stainless Steel
- Main Cooking Surface excluding Warming Rack 38"x18"
- Arrives Assembled
- 115,000 BTU Heat Output
- Temperature Gauge
- Rotisserie Kit with Electric Motor available
- Bottle Opener
- Weather Cover Available
- Two cooking surface halogen lights
- On/Off Red/Blue color changing control knob lights
- Electronic Ignition
- Gliding Rubber Castor Wheels and Leveling Feet
- Assembled Dimensions of full unit 94"x23"x35"(47" for grill top)
- Propane Ready, Easily Convertible to Natural Gas
- Propane Hose and Regulator included
- Propane Tank Pull Out
- Easy access Full Front Grease Tray
- Large Roller Ball Drawers





# MAi805

## SET UP OPTIONS



MAi805-45C



MAi805-90C



MAi805-90BEV



MAi805-BEV



# MAi400-D SERIES

## Mont Alpi 400 Deluxe Island



MAi400-D

- Four **304** Stainless Steel Burners
- Ceramic Infrared Rear Burner
- Ceramic Infrared Side Burner
- Composite Granite Surfaces and Sides (White)
- All **304** Stainless Steel components
- 8mm **304** Stainless Steel Cooking Grills
- Warming Rack **304** Stainless Steel
- Main Cooking Surface excluding Warming Rack 26"x18"
- Arrives Assembled
- 78,000 BTU Heat Output
- Temperature Gauge
- Rotisserie Kit with Electric Motor
- Bottle Opener
- Granite Chopping Board
- Weather Cover
- Two Cooking Surface Halogen Lights
- On/Off Red/Blue Color Changing Control Knob Lights
- Electronic Ignition
- Gliding Rubber Castor wheels and Leveling Feet
- Assembled Dimensions of Full Unit 82"x23"x35"(47" for grill top)
- Propane Ready, Easily Convertible to Natural Gas
- Propane Hose and Regulator
- Propane Tank Pull Out
- Easy Access Full Front Grease Tray
- Large Roller Ball Drawers





# MAi400-D

## SET UP OPTIONS



MAi400-D45



MAi400-D45FC



MAi400-D90BEVFC



MAi400-D90BEV



MAi400-D90C



MAi400-D90FC



MAi400-DFC



MAi400-DBEVFC



MAi805-DBEV



# MAi805-BSS SERIES

## Mont Alpi 805 Black Stainless Steel Island



MAi805-BSS

94"

- Six **304** Stainless Steel Burners
- Ceramic Infrared Rear Burner
- Ceramic Infrared Side Burner
- Granite Surfaces and Sides (White)
- All **304** Stainless Steel components
- 8mm **304** Stainless Steel Cooking Grills
- Warming Rack **304** Stainless Steel
- Main Cooking Surface excluding Warming Rack 38"x18"
- Arrives assembled
- 115,000 BTU Heat Output
- Temperature Gauge
- Rotisserie Kit with Electric Motor
- Bottle Opener
- Granite Chopping Board
- Weather Cover
- Two Cooking Surface Halogen Lights
- On/Off Red/Blue Color Changing Control Knob Lights
- Electronic Ignition
- Gliding Rubber Castor Wheels and Leveling Feet
- Assembled Dimensions of Full Unit 94"x23"x35"(47" for grill top)
- Propane Ready, Easily Convertible to Natural Gas
- Propane Hose and Regulator
- Propane Tank Pull Out
- Easy Access Full Front Grease Tray
- Large Roller Ball Drawers





# MAi805-BSS SET UP OPTIONS



**Mont Alpi**  
Peak Performance



MAi805-BSSFC



MAi805-BSS45FC



MAi805-BSS90FC



MAi805-BSS45C



MAi805-BSS45fc



MAi805-BSSBEV



MAi805-BSSBEVFC



# MA-957

## Mont Alpi 957 Black Stainless Steel Island



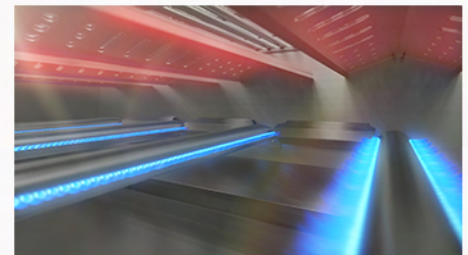
MA-957

70"

35"

- Four **304** Stainless Steel Burners
- Ceramic Infrared Rear Burner
- Composite Granite Surfaces (White)
- Stainless Steel Components
- 8mm **304** Stainless Steel Cooking Grills
- Warming Rack **304** Stainless Steel
- Main Cooking Surface excluding Warming Rack 28"x18"
- Arrives Assembled
- 63,000 BTU Heat Output
- Temperature Gauge
- Bottle Opener
- Rotisserie Kit and Motor

- Two Cooking Surface Halogen Lights
- On/Off Red/Blue Color Changing Control Knob Lights
- Electronic Ignition
- Gliding Rubber Castor Wheels and Leveling Feet
- Assembled Dimensions of Full Unit 70"x24"x35"(46" for grill top)
- Propane Ready, Easily Convertible to Natural Gas
- Propane Hose and Regulator
- Easy Access Full Front Grease Tray
- Full Weather Cover





# S-470



## Mont Alpi S-470 Black Stainless Steel Cart



- Black Stainless Steel
- Four **304** Stainless Steel Burners
- Ceramic Infrared Rear Burner
- Ceramic Infrared Side Burner
- Granite Topped Side Shelves
- All Stainless Steel Components
- Stainless Steel Cooking Grills
- Warming Rack Stainless Steel
- 78,000 BTU Heat Output
- Temperature Gauge
- Rotisserie Kit with Electric Motor
- Bottle Opener

- Weather Cover
- Two Cooking Surface Halogen Lights
- On/Off Red/Blue Color Changing Control Knob Lights
- Electronic Ignition
- Gliding Rubber Castor Wheels and Leveling feet
- Assembled Dimensions of Full Unit 56"x24"x35"(47" for grill top)
- Propane Ready, Easily Convertible to Natural Gas
- Propane Hose and Regulator
- Easy Access Full Front Grease Tray





# MABi805

## Mont Alpi Built in 805 Grill 44"

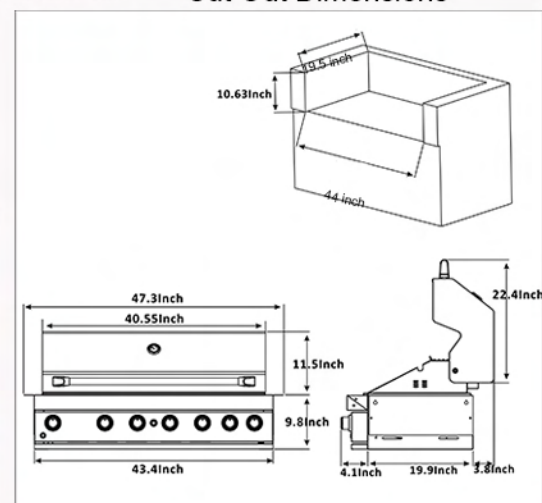


MABi805

### DELIVERED FULLY ASSEMBLED

- Six main **304** Stainless Steel Burners
- Ceramic Infrared Rear Burner
- All **304** Stainless Steel components
- 8mm **304** Stainless Steel Cooking Grills
- Warming Rack **304** Stainless Steel
- Main Cooking Surface excluding Warming Rack 38"x18"
- 87,000 BTU Heat Output
- Temperature Gauge
- Two Cooking Surface Halogen Lights
- On/Off Red/Blue Color Changing Control Knob Lights
- Electronic Ignition
- Propane Ready and Easily Convertible to Natural Gas
- Propane Hose and Regulator
- Easy access Full Front Grease Tray
- Rotisserie Kit with Electric Motor
- Bottle Opener
- Weather Cover

### Cut Out Dimensions





# MABi400

## Mont Alpi Built in 400 Grill 32"



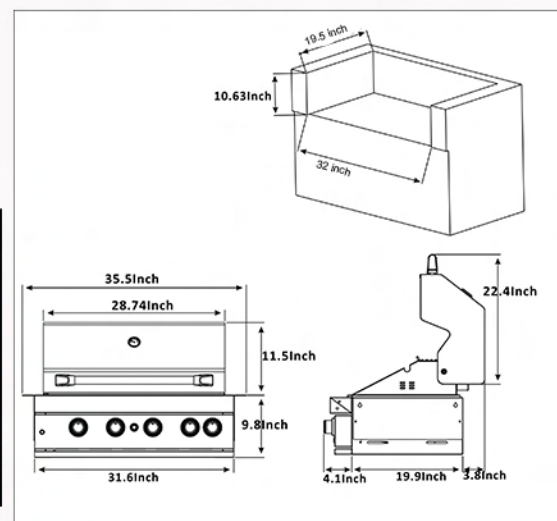
MABi400

### DELIVERED FULLY ASSEMBLED

- Four main **304** Stainless Steel Burners
- Ceramic Infrared Rear Burner
- All **304** Stainless Steel components
- 8mm **304** Stainless Steel Cooking Grills
- Warming Rack **304** Stainless Steel
- Main Cooking Surface excluding Warming Rack 26" x 18"
- 63,000 BTU Heat Output
- Temperature Gauge

- Two Cooking Surface Halogen Lights
- On/Off Red/Blue Color Changing Control Knob Lights
- Electronic Ignition
- Propane Ready and Easily Convertible to Natural Gas
- Propane Hose and Regulator
- Easy Access Full Front Grease Tray
- Rotisserie Kit with Electric Motor
- Bottle Opener
- Weather Cover

### Cut Out Dimensions





# Refrigeration

## Mont Alpi Beverage Centers

The Mont Alpi Beverage Center is finished with a white granite countertop and makes a beautiful addition to a Mont Alpi grill island or as a stand alone beverage center on your patio. This unit comes with an outdoor rated refrigerator including lights, lockable door, and a stainless steel sink with faucet. The unit is made with all 304 marine grade stainless steel. It is available in regular stainless steel or black stainless steel.



23"

38"

35"

MASF



MASF-BSS



# Refrigerator Modules



All Mont Alpi refrigerators are outdoor rated, lockable, temperature adjustable and have a stylish blue LED light. The 3 options allow you to add this module to any stainless steel deluxe island, black stainless steel island or a stand alone unit.



MASFM-SS



MASFM-BSS



MAF



# Mont Alpi Keg Center



The Mont Alpi Keg Center Module is the perfect addition to your backyard. It comes with an outdoor rated fridge. That holds up to 3 pony kegs with three taps. The Unit is topped with white granite and works as a module for any stainless steel Mont Alpi island or as a stand alone unit.





# Portables

## Pizza Oven



**Mont Alpi**

Peak Performance



MAPZ-SS



- Stainless Steel
- “U” Shaped Burner for all around high heat
- 12,000 BTU
- Oven like performance in 5 minutes (620 F)
- 12” Pizza Stone
- Removable Floor Pan
- Pull out fat tray
- Dishwasher friendly cleaning
- Net weight 27 lbs
- Easy Start up Ignition
- Great for roasting (whole chickens and larger meats)
- Removable Front Door
- Accurate Temperature Gauge
- Propane (convertible to natural gas)

## 3 in 1 Grill

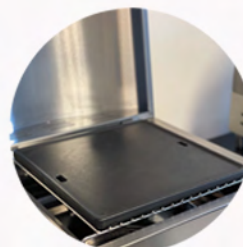


MA-3N1

- 12,000 BTU “U” Shaped 304 Stainless Steel Burner for even heat distribution
- Pull Grease Tray
- Temperature Gauge
- Easy Start up Ignition
- Perfect for Searing Steaks
- Great for Griddle Plate Cooking
- Pizza Stone for Crisp Pizza
- 304 Stainless Steel Cooking Grid



Grill



Griddle



Stone



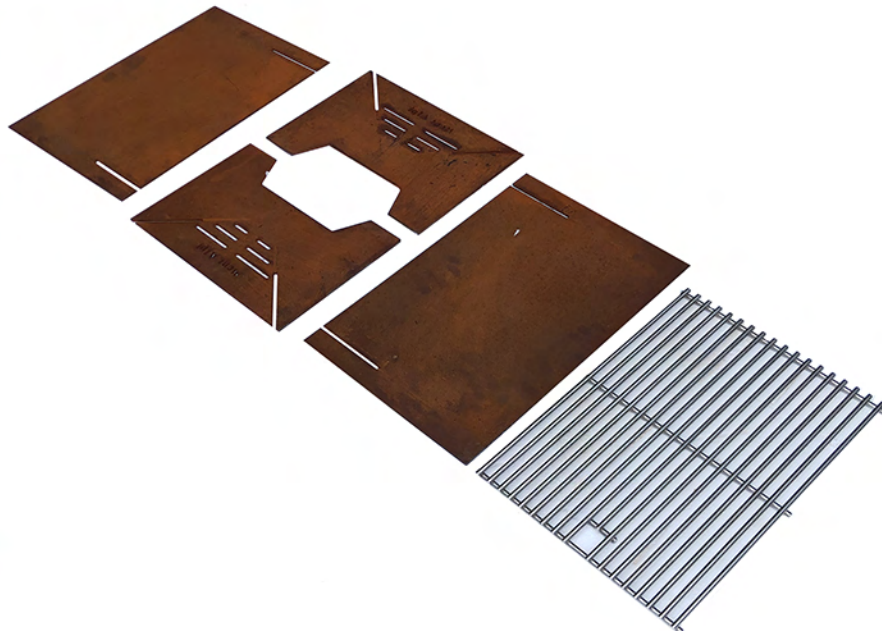
# MAFP

## Mont Alpi Flatpack

### Fire Pit



- Strong and Versatile
- Unique and Stylish Pre-Rusted look
- Comes with Heavy Duty 304 Stainless Steel Cooking Grid
- Flat Packed for Easy Storage and Transport
- Measurements : 20" x 16" x 12"
- Durable
- Comes with easy use ash catcher for safety and to make clean up simple
- Assembles in under a minute, no tools required
- The dream toy for all!





# Accessories

## Covers



The Mont Alpi covers work with a zipper technology to allow any grill and module combination to be covered perfectly. Each module cover will zip to another in any combination. Below are some of the most popular options



COVMAi805, COVMAi400



COVMAi805-BEV, COVMAi805-DBEV, COVMAi805-BSSBEV, COVMAi400-DBEV



COVMASF



COVBi805, COVBi400



# Accessories



POCB - Pizza oven carry bag



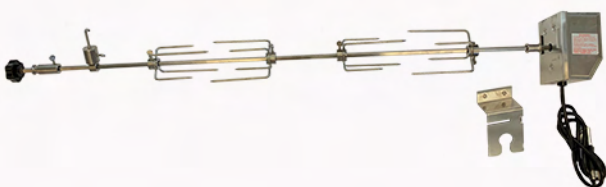
MAGR - Dual sided griddle plate



MASBP - Universal side burner pizza oven



MANGK - Natural Gas Conversion Kit



MAROTIS - Rotisserie kit



MACT - Charcoal Tray





**Mont Alpi**

Peak Performance







**Mont Alpi**

Peak Performance

25172 Arctic Ocean Dr, Ste 102, Lake Forest, CA 92630  
+1 949-207-9595

[info@MontAlpiOnline.com](mailto:info@MontAlpiOnline.com)

[www.MontAlpiOnline.com](http://www.MontAlpiOnline.com)