

***Pixio***  
***PXC32***

USER MANUAL

*Pixio*

**RED TEAM**

[www.pixiogaming.com](http://www.pixiogaming.com)

## **JOIN THE RED TEAM !**

- Get all the latest updates and exclusive promotions
- Chances to win monthly, free giveaways



Brand: Pixio  
Product Name: 32inch WQHD Curved Gaming Monitor  
Product Code: PXC32  
FCC ID:

This device complies with part 15 of the FCC Rules. Operation is subject to the following two conditions: (1) this device may not cause harmful interference, and (2) this device must accept any interference received, including interference that may cause undesired operation.  
Any changes or modifications not expressly approved by the party responsible for compliance could void the user's authority to operate the equipment.



NOTE: This equipment has been tested and found to comply with the limits for a Class B digital device, pursuant to Part 15 of the FCC Rules. These limits are designed to provide reasonable protection against harmful interference in a residential installation. This equipment generates, uses and can radiate radio frequency energy and, if not installed and used in accordance with the instructions, may cause harmful interference to radio communications. However, there is no guarantee that interference will not occur in a particular installation.

If this equipment does cause harmful interference to radio or television reception, which can be determined by turning the equipment off and on, the user is encouraged to try to correct the interference by one or more of the following measures:

- Reorient or relocate the receiving antenna.
- Increase the separation between the equipment and receiver.
- Connect the equipment into an outlet on a circuit different from that to which the receiver is connected.
- Consult the dealer or an experienced radio/TV technician for help.

FCC ID:

## **/ WARNING /**

- Make sure the monitor is not placed near any source of water, such as the bathroom, kitchen, or humid areas.
- Do not place the monitor on an unstable, or uneven surface. If dropped, the monitor may cause bodily injuries. When transporting the monitor, make sure it is secured in an upright position or preferably in its original packaging for best results. When mounting the monitor, make sure to follow the instructions of the respective mounting provider for best results.
- The openings in the monitor are for ventilation. For best results, make sure the ventilation holes are not covered up. Avoid confined spaces like a bookcase for proper functionality.
- If the monitor will not be used for an extended period of time, make sure to unplug the power cord to prevent the risk of damage from lightning strikes or other abnormal voltage incidents.
- Do not overburden any socket to prevent risk of fire or shock.
- Do not stick any foreign objects into the monitor to prevent risk of fire or shock.
- Please do not try to take off the back panel to repair the monitor yourself. You may run the risk of shock and void the warranty as well. Contact Pixio directly for all RMA issues.
- Take note of elevation and temperature zone warnings on the adapters.
- The  icon, indicates that the adapter is suited for areas under 2000 meters.
- The  icon, indicates that the adapter is suited for non-tropical areas.

## **/ GENERAL NOTICE /**

- Do not place the monitor near heat sources, such as radiators, and do not expose the monitor to direct sunlight for an extended period of time.
- Make sure to keep the original packaging material. If there are any needs to transport the monitor, the packaging material will be the best method for successful delivery.
- Make sure to use a soft, non-abrasive cloth when cleaning the monitor. Do not use corrosive or strong detergents to clean the monitor. They may result in permanent damage to the panel and will void the warranty.
- Always check to make sure the power cord is unplugged before cleaning the monitor.
- Be careful when handling liquids while cleaning as it may cause irreparable damage to the electrical components in the monitor.

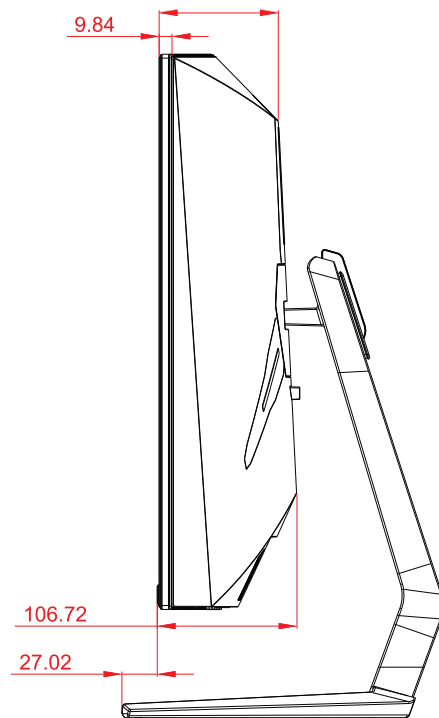
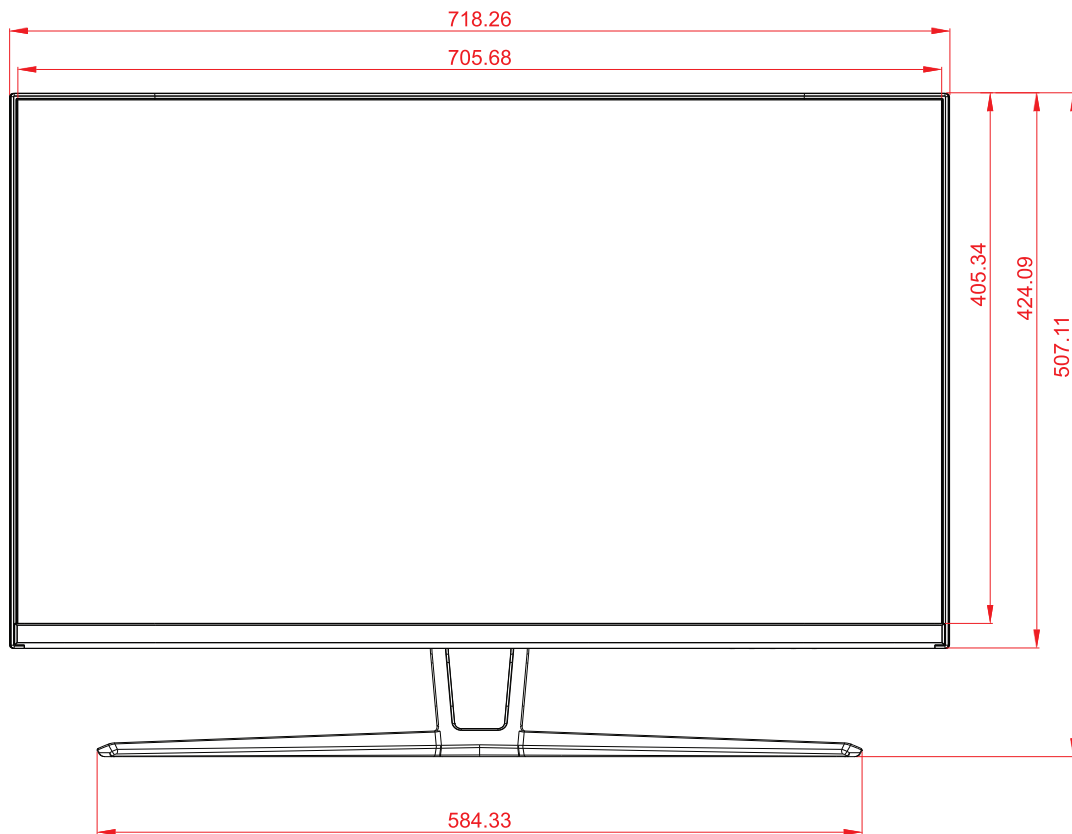
## Characteristics of Crystal Display Monitors

When the following potential issues occur, please be aware that the monitor is functioning in accordance of manufacturing tolerances and does not mean the monitor has a defect.

- When first turning on the monitor, the screen may flicker. Please turn the monitor off and turn it back on.
- The brightness levels on different images may appear uneven.
- The effective pixel count should approximate 99.99%, but there may be a possible 0.01% or less failure rate due to dead or stuck pixels.
- If the monitor displays a single static image for a long period of time, there may be an image burn that can be seen while viewing a different image. The burned image will gradually disappear and turning off the monitor for an extended period of time will speed up the process.
- If you notice extended, constant flickering or if the screen constantly goes to black, please contact Pixio directly and we will assess and have the unit repaired if necessary. Please do not attempt to repair the unit yourself as it will result in voiding the warranty.

For Warranty information please visit <https://pixiogaming.com/pages/warranty>

## // DIMENSIONS & WEIGHT //

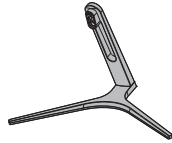


17.2 lb w/o Stand (7.8 kg)  
22.5 lb w/ Stand (10.2 kg)

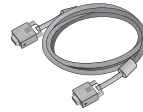
## // PACKAGE INCLUDES //



Monitor



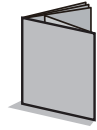
Stand



DP Cable



Power Cable



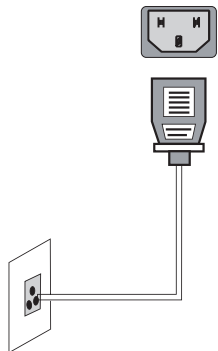
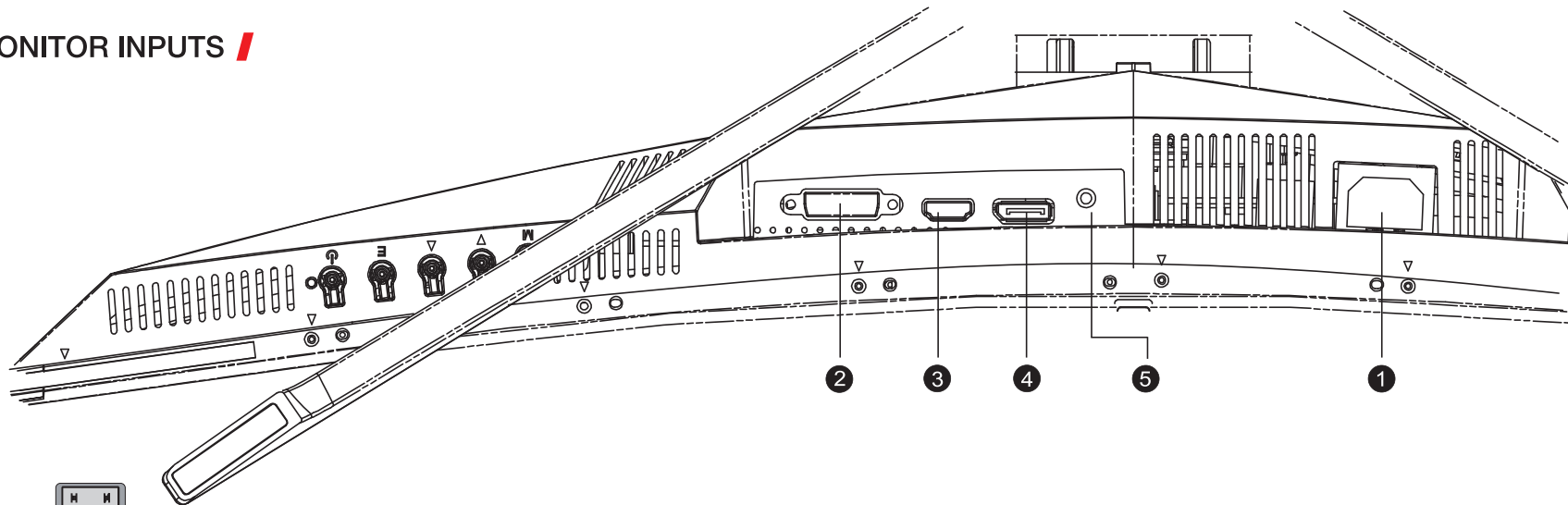
User Manual

\* User manual can be downloaded at <https://pixiogaming.com/pages/downloads>

\*If any of the provided items are missing, please contact us at [cs@pixiogaming.com](mailto:cs@pixiogaming.com) and we will help provide you with the necessary items.



## MONITOR INPUTS



Monitor has a built-in power supply

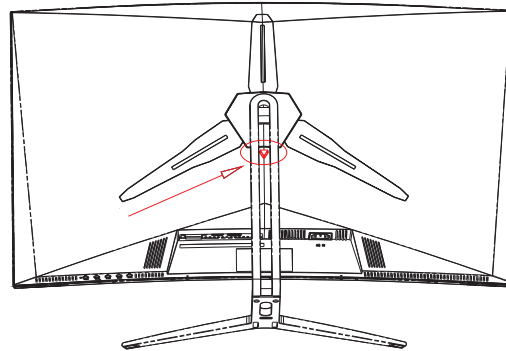
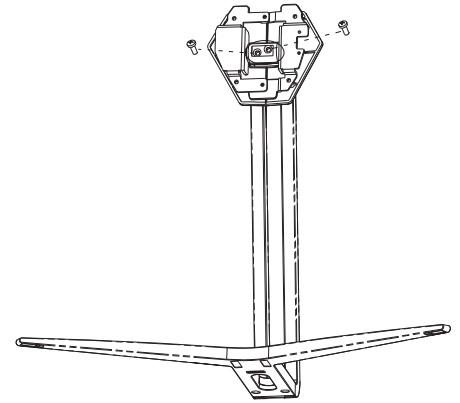
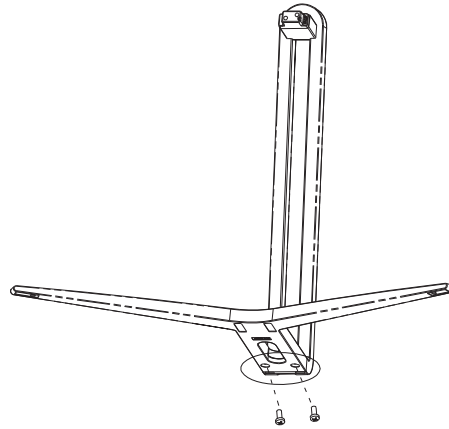
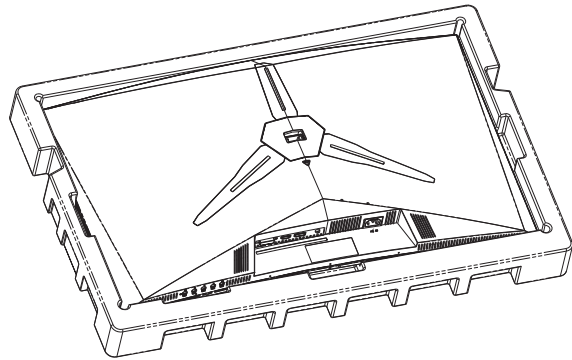
**\*WARNING:** Always use the appropriate power cord.

- 1 POWER PLUG
- 2 DVI PORT
- 3 HDMI 2.0 PORT (144hz & Freesync)
- 4 DP 1.2 PORT (144hz & Freesync)
- 5 AUDIO OUT
- 6

To use the monitor's built in speakers using a DVI Cable, please use a 3.5 mm to 3.5 mm audio cable to connect to your computer directly.

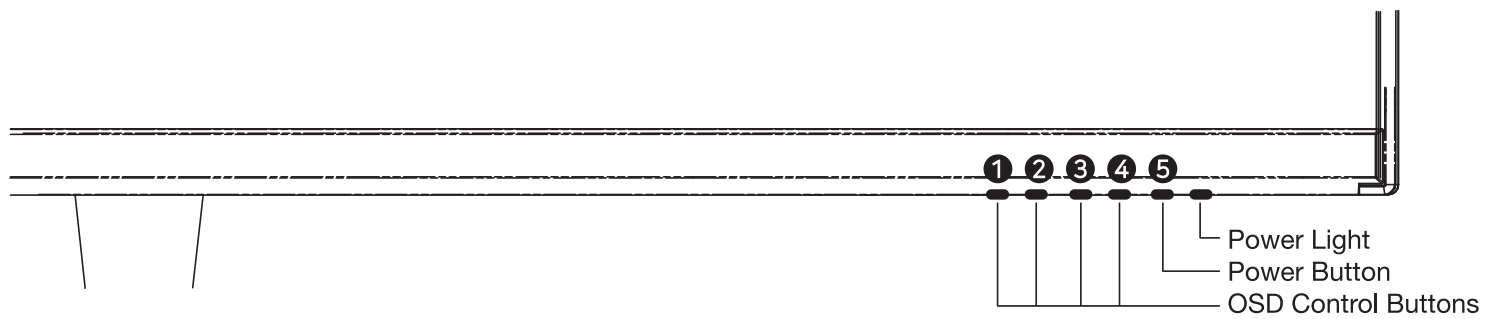
**PLEASE USE A DP CABLE FOR  
144Hz & FreeSync™**

## // ASSEMBLY //



Assemble the base stand with the four screws provided. Once the stand is fully assembled, as shown on the right, insert the top of the stand into the corresponding shape on the back of the monitor. Make sure to angle downwards so that the top of the connector is inserted first and look out for a click sound. Make sure the connector piece is flush with the back of the monitor before standing the monitor upright.

# OSD MENU



Press 1 key: short cut menu will pop up



1 main OSD menu

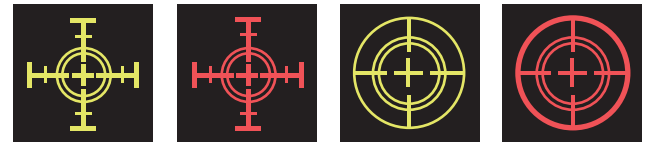
2 LED mode change

3 Pixio LoS (crosshair) selection

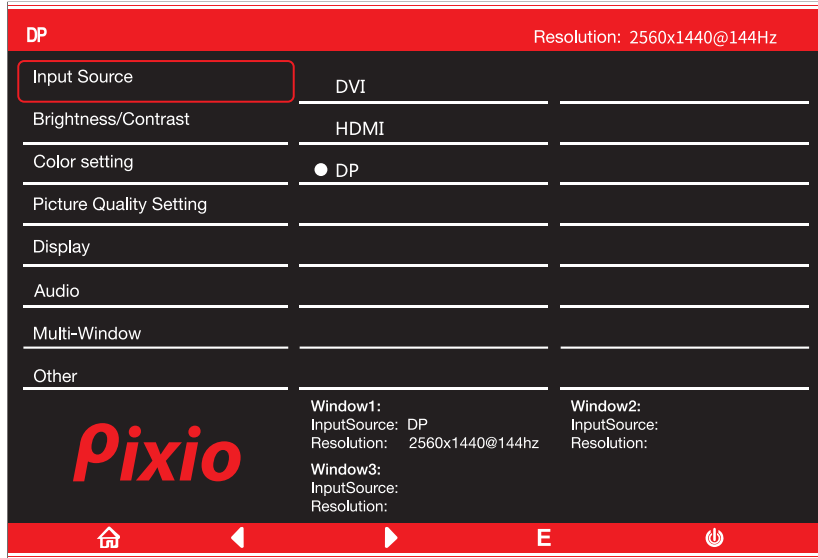
4 RGB Range change

1 M	Main Menu / Select
2 ▼	Navigate Down / Decrease
3 ▲	Navigate Up / Increase
4 E	Color Range / Back to Previous or Exit
5	Power ON / OFF

Adjust the matching options according to the RGB range of the connected HDMI device.  
 a. RGB Range(Full) : (0~255) / for PC, Internet, Games  
 b. RGB Range(Limited) : (16~235) / for TV, Movies



## // OSD MENU //



### Input Source

- Select between the three input sources: DVI, HDMI, DP
- The upper right corner of the OSD Menu will display the monitor's current screen resolution and refresh rate



### Brightness / Contrast

- Brightness: Adjust the screen brightness from 0 to 100
- Contrast: Adjust the screen contrast from 0 to 100
- DCR: Turn the dynamic contrast ratio option On or Off  
When DCR is turned on, the ability to adjust brightness / contrast will be disabled and contrast ratio will be adjusted automatically

## // OSD MENU //

DP Resolution: 2560x1440@144Hz		
Input Source	Gamma	2.2
Brightness/Contrast	Picture Mode	Standard
Color setting	Color Temperature	Warm
Picture Quality Setting	USER	
Display	Low Blue Light	0
Audio	Hue/Saturation	
Multi-Window		
Other		
<b>Pixio</b>	Window1: InputSource: DP Resolution: 2560x1440@144hz	Window2: InputSource: Resolution:
	Window3: InputSource: Resolution:	

### Color

- Gamma: Set the gamma value to: 2.0, 2.2, or 2.4
- Picture Mode: Change the preset modes to: Stand, Text, Movie, Game, FPS, or RTS
- Color Temperature: Change the color temperature to: Warm, Cool, or USER
- USER: Change the RGB Value from 0-100 for each color
- Low Blue Light: Adjust the blue light value from 0-100
- Hue/Saturation: Adjust the Hue and Saturation value from 0-100

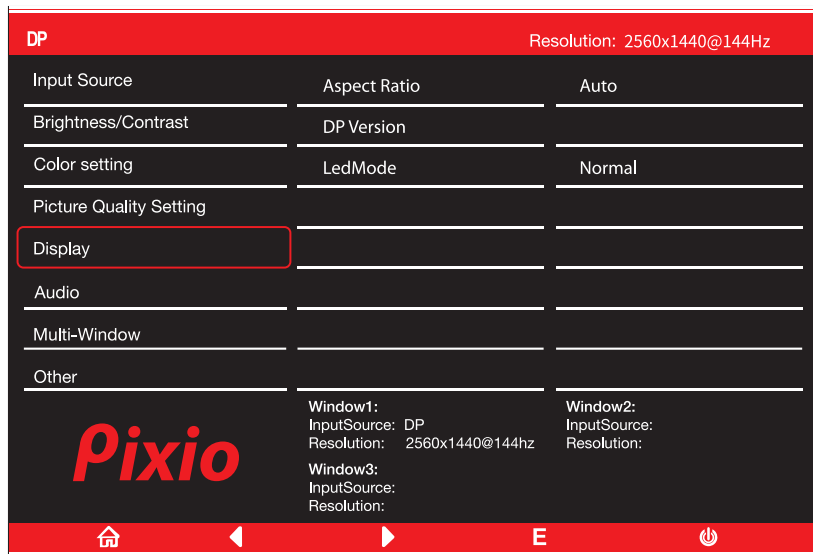
## OSD MENU

DP Resolution: 2560x1440@144Hz		
Input Source	Bypass	Off
Brightness/Contrast	Sharpness	50
Color setting	Response Time	High
Picture Quality Setting	Noise Reduction	Off
Display	Super Resolution	Off
Audio	Dynamic Luminous Control	Off
Multi-Window	FreeSync	Off
Other		
	Window1: InputSource: DP Resolution: 2560x1440@144hz	Window2: InputSource: Resolution:
	Window3: InputSource: Resolution:	

### Picture Quality Setting

- Bypass: Turn ON to transmit the signal from the graphics card directly to the monitor; recommended when calibrating the screen with a DVI connection. Turn OFF to control the screen with the monitor's AD board (Recommended); best for DP and HDMI connections
- Sharpness: Adjust the sharpness of on-screen images and text, from 0 to 100
- Response Time: Adjust the screen response time, ranging from 12 ms with "Off" and 1 ms with "High"
- Noise Reduction: Reduce image noise when using resolutions lower than the native resolution.
- Super Resolution: Increase image sharpness when using resolutions lower than the native resolution.
- Dynamic Luminous Control: Turn On and Off grayscale adjustment for better expressing darker images.
- FreeSync: Turn On and Off FreeSync; requires a compatible AMD graphics card and a signal input using DP or HDMI 2.0

## // OSD MENU //



### Display

- Aspect Ratio: Change the aspect ratio of the screen to Wide Screen, 4:3, or Auto
- DP Version: Change the DP Version to 1.1 or 1.2; only use DP1.1 if the cable used is 1.1. DP1.2 is the recommended version of the DP Cable that should be used
- Led Mode: Change from Normal, Flicker, or turn it Off

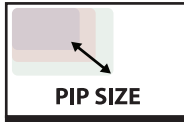


### Audio

- Mute: Turn the mute function On or Off
- Volume: Adjust the connected audio device volume from 0 to 100

# OSD MENU

DP			Resolution: 2560x1440@144Hz
Input Source	Multi-Window	Off	
Brightness/Contrast	Sub Win2 Input	Medium	
Color setting	PIP Size	TopRight	
Picture Quality Setting	PIP Position		
Display	Swap		
Audio			
Multi-Window			
Other			
<b>Pixio</b>		Window1: InputSource: DP Resolution: 2560x1440@144hz	
		Window2: InputSource: Resolution:	
		Window3: InputSource: Resolution:	



## Multi-Window


- Multi-Window : Select PIP/PBP2 mode to support 2 external devices on the screen.
- PIP Size : To display the auxiliary device in a separate window while displaying the main device.  
Adjust the size of the auxiliary screen in three levels and adjust its position.  
You can switch the screen positions of the main unit and auxiliary unit.  
The audio only outputs the sound of the main unit(A).
- PBP Mode : To display the main unit and auxiliary unit side by side on the screen.

\* When using multiple windows, adjust the resolution by using the graphics card driver.  
If the main unit is connected to the lower terminal and the auxiliary unit is connected to the upper terminal, select swap to display the screen.

- \* The following functions are restricted when setting multiple windows :
1. 60Hz refresh rate limit
  2. Dynamic Contrast Ratio, Color Adjustment Limit
  3. FreeSync, Screen setting limit
  4. Screen Ratio limit



## // ODD MENU //

DP Resolution: 2560x1440@144Hz		
Input Source	Language	English
Brightness/Contrast	OSD H-Position	50
Color setting	OSD V-Position	50
Picture Quality Setting	OSD Transparency	70
Display	OSD Time Out	100
Audio	OSD Rotation	Normal
Multi-Window	Reset	
Other		
		
Window1: InputSource: DP Resolution: 2560x1440@144hz		Window2: InputSource: Resolution:
Window3: InputSource: Resolution:		
		

### Other

- Language: Change the OSD Menu language to: English, Chinese, Korean, or Spanish
- Adjust the position, transparency, display time, and rotation of the OSD Menu
- Reset: Factory reset the monitor settings

Light source	LED backlight
Panel type	Wide viewing angles PVA / R1800
Screen size	80.1cm(32")
Display Screen Size	697.344(H)mm x 392.256(V)mm
Pixel size	0.2724(H)mm x 0.2724(V)mm
Color	16.7M colors
sRGB	100%
Aspect ratio	16:9
Optimal resolution	DP1.2a : 2560 x 1440(WQHD), 144Hz HDMI 2.0 : 2560 x 1440(WQHD), 144Hz DVI : 2560 x 1440(WQHD), 60Hz
Viewing angle	178° (H) / 178° (V)
Surface coating	Anti-Glare
Brightness	250 cd/m <sup>2</sup>
Response speed	4 ms (OD)
Contrast ratio	3000:1
Dynamic Contrast Ratio	5,000,000:1
Horizontal frequency	71 ~ 214 kHz
Vertical frequency	60 ~ 144 Hz
Connection terminal	DVI, DP, HDMI, Audio-OUT
Speaker	X
Power	AC 100V ~ 240V 50/60Hz, 1.5A
Power consumption	42W(Max 48W)
Standby power	≤ 0.5W
Size	-
Weight	-Kg
Color	GUN METAL
Stand tilt	5° Forwards, 12° Backwards
Stand height	60mm

***Pixio***

If you have any questions or comments,  
please contact [CS@pixiogaming.com](mailto:CS@pixiogaming.com)

For your warranty information, please visit  
[www.pixiogaming.com](http://www.pixiogaming.com)



[pixiogaming.com](https://pixiogaming.com)