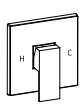
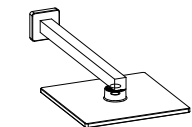
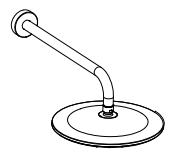


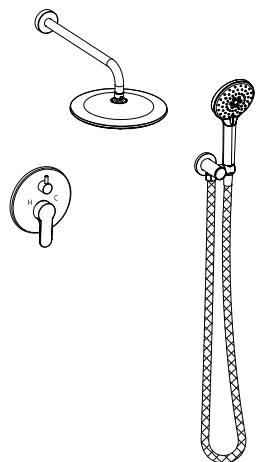
# Installation Manual



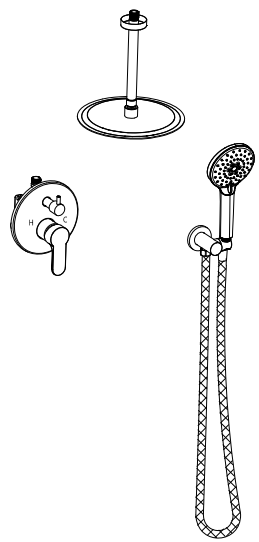
Model:93101



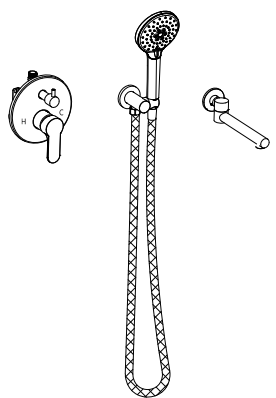
Model:96201



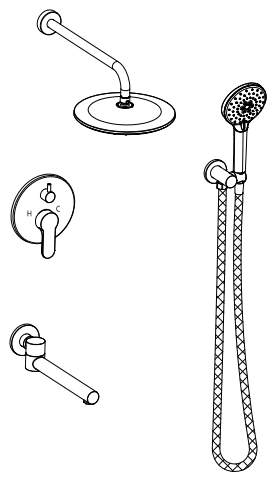
Model:96202



Model:96205




Model:96207




Model:96203

# INDEX



|  |        |
|--|--------|
| 1. cUPC Certification.....                     | P01-02 |
| 2. Installation Preparation & Maintenance..... | P03    |
| 3. 93101-10/12.....                            | P04-06 |
| 4. 96201-10/12.....                            | P07-09 |
| 5. 96202-10/12.....                            | P10-12 |
| 6. 96205-10/12.....                            | P13-15 |
| 7. 96207.....                                  | P16-18 |
| 8. 96203-10/12.....                            | P19-21 |



# IAPMO RESEARCH AND TESTING, INC.

5001 E. Philadelphia Street, Ontario, CA 91761 • Phone (909) 472-4100 • Fax (909) 472-4244 • [www.iapmort.org](http://www.iapmort.org)



## CERTIFICATE OF LISTING



IAPMO Research and Testing, Inc. is a product certification body in which its product certification system includes inspection and testing of samples taken from the supplier's stock or from the market or a combination of both to verify compliance to the requirements of applicable codes and standards. This activity is coupled with periodic surveillance of the supplier's factory and/or warehouses as well as the assessment of the supplier's Quality Assurance System. This listing is subject to the conditions set forth in the characteristics below and is not to be construed as any recommendation, assurance or guarantee by IAPMO Research and Testing, Inc. of the product acceptance by Authorities Having Jurisdiction.

*Issued To:*

### JIANGMEN MEITUO SANITARY WARE CO LTD

AREA A, AREA B, 3RD FLOOR, BLOOK 3, NO. 5-3, CHENGNAN 1ST ROAD, CUIZHAN LAKE KAIPING, GUANDONG, CHINA

*Product:*

### Plumbing Fixture Fittings

*Products are in compliance with the following code(s):*

**Uniform Plumbing Code (UPC®)  
National Plumbing Code of Canada**

*Products are certified to the following standard(s)*

**ASME A112.18.1-2018/CSA B125.1-18**

File Number: 14172

Effective Date: May 2023

Void After: May 2028\*

  
Chairman, Product Certification Committee



  
Chief Technical Service Officer

\*This certificate is not evidence of current listing. To verify listing status, visit the IAPMO R&T Product Listing Directory at [pld.iapmo.org](http://pld.iapmo.org)

This listing period is based upon the last date of the month indicated on the Effective Date and Void After Date shown above. Any change in material, manufacturing process, marking or design without having first obtained the approval of the Product Certification Committee, or any evidence of non-compliance with applicable codes and standards or of inferior workmanship, may be deemed sufficient cause for revocation of this listing. Production of or reference to this form for advertising purposes may be made only by specific written permission of IAPMO Research and Testing, Inc. Any alteration of this certificate could be grounds for revocation of the listing. This document shall be reproduced in its entirety.

# IAPMO RESEARCH AND TESTING, INC.

## CERTIFICATE OF LISTING



Issued To: JIANGMEN MEITUO SANITARY WARE CO LTD

Effective Date: May 2023

File Number: 14172

Product: Plumbing Fixture Fittings

Void After: May 2028

This certificate is not evidence of current listing. To verify listing status, visit the IAPMO R&T Product Listing Directory at [pld.iapmo.org](http://pld.iapmo.org)

### Identification:

Plumbing supply fittings shall be marked with the manufacturer's recognized name, trademark, or other mark or, in the case of private labeling, the name, trademark or other mark of the customer for whom the fitting was manufactured. The marking shall be accomplished by use of a permanent mark or by placing a permanent label on the product. Markings on plumbing supply fittings shall be visible after installation.

Showerheads and hand-held showers shall be marked with the manufacturer's specified maximum flow rate, in L/min and gpm.

Kitchen, lavatory, and metering faucets shall be marked with the manufacturer's specified maximum flow rate, in L/min and gpm or L/cycle and gpc.

Single-handle and single-control bath and shower mixing valves shall have their temperature control settings identified alphabetically, numerically, or graphically.

High-efficiency commercial pre-rinse spray valves shall be marked with the manufacturer's specified maximum flow rate, in L/min (gpm).

Listed products shall bear the cUPC® certification mark.

Packaging for plumbing supply fittings shall be marked with the manufacturer's name, trademark, or other mark as well as the model number or, in the case of private labeling, the name, trademark, or mark of the customer for whom the fitting was manufactured as well as the model number.

Packaging for showerheads and hand-held showers shall be marked with the manufacturer's specified maximum flow rate and either the manufacturer's specified minimum flow rate or the statement "For use with automatic compensating valves rated at xxx L/min (yyy gpm) or less", where xxx L/min (yyy gpm) is the manufacturer's specified minimum flow rate.

Packaging for kitchen, lavatory, and metering faucets shall be marked with the manufacturer's specified maximum flow rate, in L/min and gpm or L/cycle and gpc.

### Characteristics:

Fittings may include lavatory, sink, bath & shower, lawn and sediment faucets. Plumbing fixture fittings to be installed in accordance with the manufacturer's instructions and the requirements of the latest edition of the Uniform Plumbing Code and National Plumbing Code of Canada.

Products listed on this certificate have been tested by an IAPMO R&T recognized laboratory. This recognition has been granted based upon the laboratory's compliance to the applicable requirements of ISO/IEC 17025.

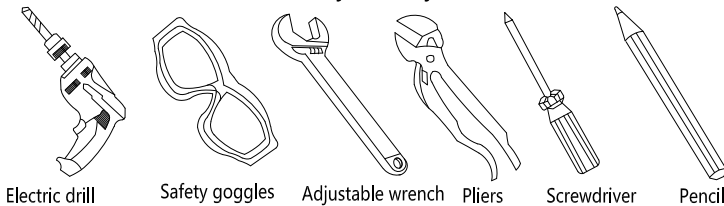
## 1. Installation Precautions

1. When you open the product packing, please check the product and accessories at first. If there is any discrepancy, please contact the company or our distributor immediately.
2. The hot and cold water supply pipe of the faucet must be properly connected. When facing the front of the faucet, the hot water supply is on the left and cold water supply is on the right. Incorrect connection will cause permanent damage to the cartridge.
3. If the accessories to be changed without affecting the use, we will not make a prior notice.
4. The impurities in the water supply pipe must be cleared before installation to avoid blockage.
5. The water pressure of the faucet is 20 PSI -100 PSI (including cold water and hot water pressure). Applicable water temperature range: 40°F -170°F.

## 2. Preparation before installation

1. Please read the installation manual carefully before installation.
2. Installation work must be performed by a professional installer.
3. Installation tool.

### Tools you may need.



Electric drill

Safety goggles

Adjustable wrench

Pliers

Screwdriver

Pencil

## 3. Product reparation

If the cartridge is worn out which cause leakage, please turn off the water source. Remove the handle, panel, and decorative cover in sequence, remove the gland with a wrench, then take out the cartridge and copper sleeve.

Repair or replace the new cartridge, then install it again in sequence.

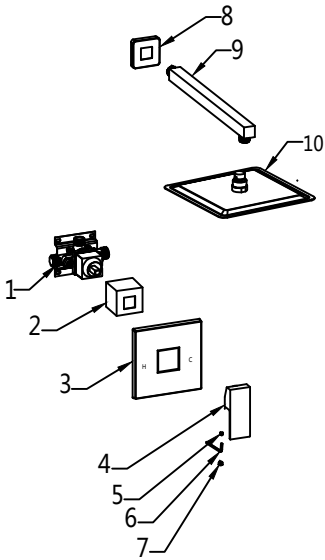
## 4. Clearance and Maintenance

In order to keep the faucet appearance smooth and good performance, please follow the below steps to clean and maintain the faucet.

1. Clean with water and dry with a soft cotton cloth.
2. Use a mild liquid and a colorless glass cleaner to remove surface dirt and scale, also you can use the cleaner without grinding function.
3. Do not use detergents, polishing tools, abrasive cloth, paper towels or scrapers to clean the faucet.
4. Do not use acid cleaners, insoluble granular detergents, soaps, etc to clean the faucet.

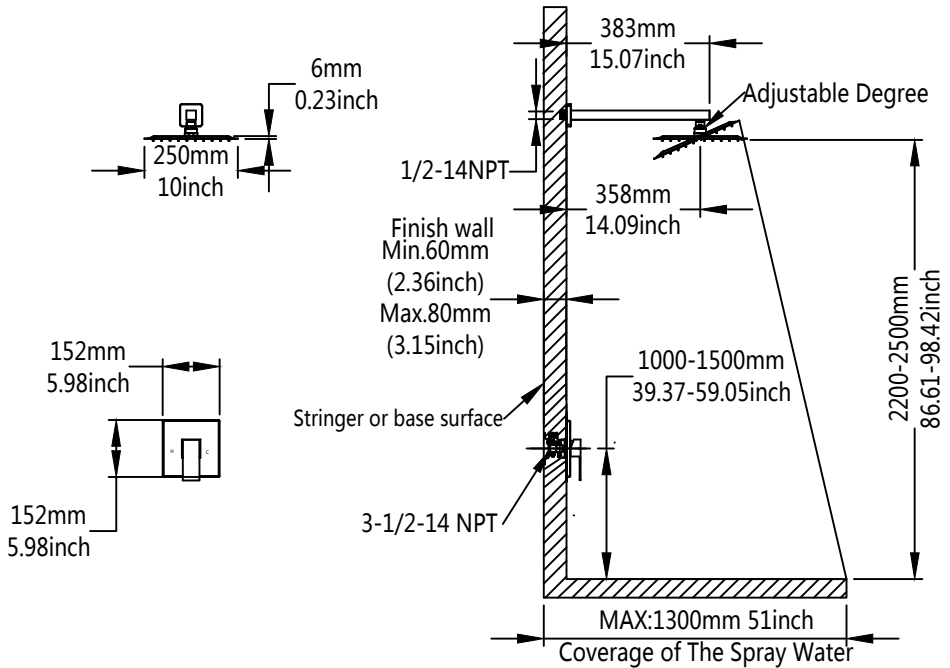
# Model: 93101-10/12

## Installation Instruction 1/3



| No | Description      | QTY |
|----|------------------|-----|
| 1  | Rough-in Valve   | 1   |
| 2  | Protective Cover | 1   |
| 3  | Panel            | 1   |
| 4  | On/off Handle    | 1   |
| 5  | Hexagonal Screw  | 1   |
| 6  | Allen Key        | 1   |
| 7  | Decorative Hat   | 1   |
| 8  | Decorative Cover | 1   |
| 9  | Shower Arm       | 1   |
| 10 | Shower Head      | 1   |

### Installation Instruction

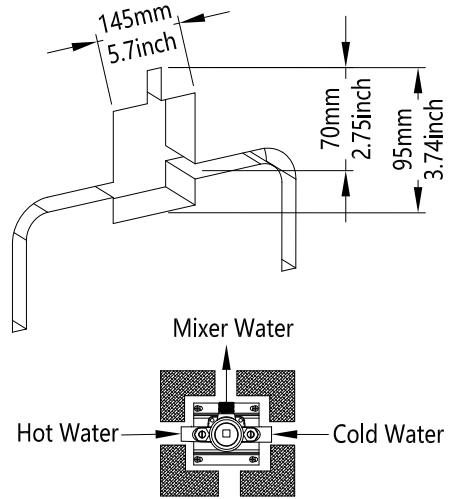
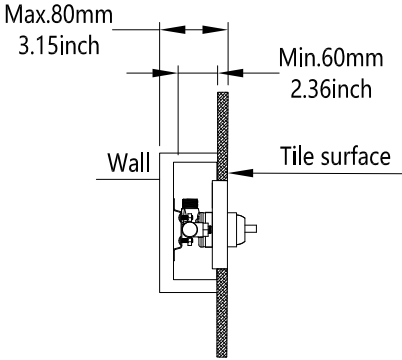


# Model: 93101-10/12

## Installation Instruction 2/3

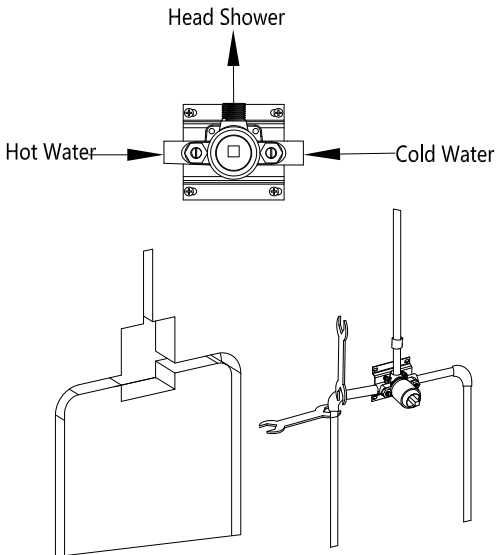
1.The size of the embedded box that needs to be drilled is 5.7" \*3.74"

2.The depth of the embedded box is 2.36" - 3.15"  
It's better to drill the depth of 2.36" for blank wall



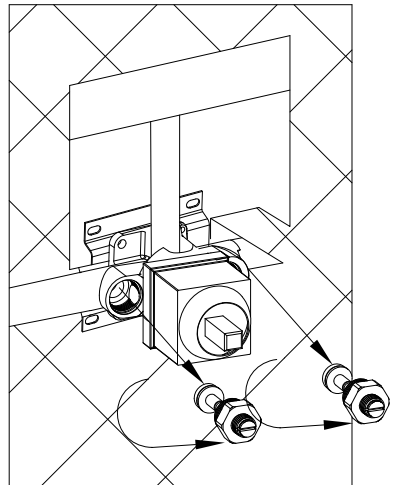
### Pipe Connection

- 1.Please drill the holes on the wall for the main body embedded part, hot and cold water inlet pipes as well as shower arm connection pipes according to the basic product dimension drawing as below.
- 2.Please make hot and cold water inlet pipe, the mixed water outlet pipe connect with control valve, and tightened with the wrench.



### Water Testing And Sealing Testing

- 1.After the pipeline connection is completed, unscrew the stop valve, open the pipeline switch to flush the impurities and sludge to avoid blockage and affect the water flow function;
- 2.Close the switch, re-tighten the stop valve and open the switch again to make the pipeline is under pressure. Check the pressure resistance and sealing performance of the valve and pipeline to ensure that there is no leakage in the pipeline.

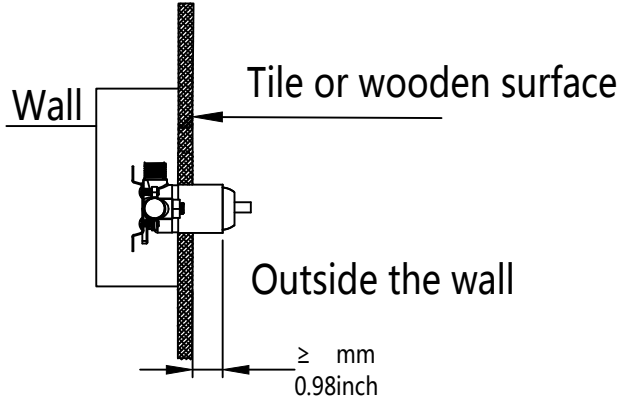


# Model: 93101-10/12

## Installation Instruction 3/3

### The Procedure of Sealing The Wall

Use a parallel ruler to measure the flatness of the embedded box casing and the vertical wall surface. If the wall surface is not flat, it should be patched to ensure the embedded box casing and vertical wall angle meets at nearly ideal angle of 90, then lay the tile decoration.



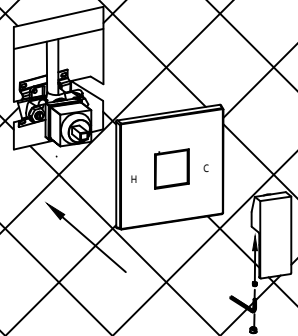
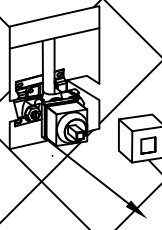
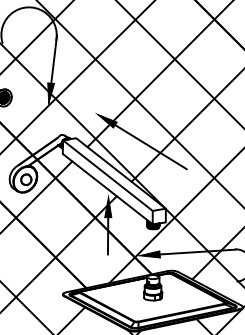
### Head Shower Installation

- 1.Wrap the tape around the pipe thread and screw it on the wall hole
- 2.Screw the head shower onto the outlet pipe thread

### Installation of Rough-in Valve

- 1.Take off the protective cover

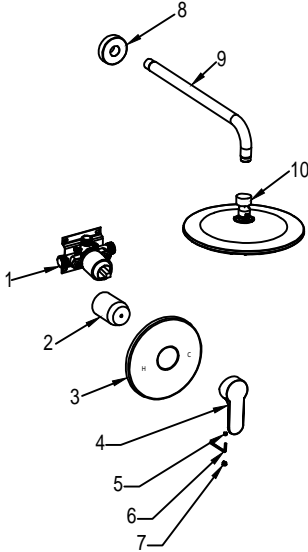
- 2.The panel and the handle are connected to the control valve as shown below sequence





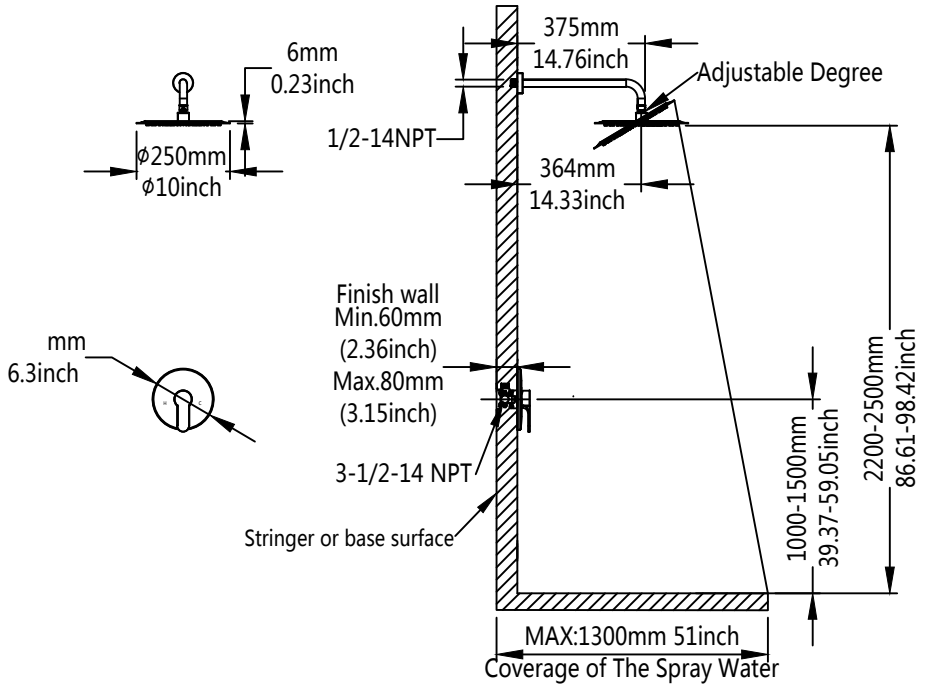
# Model: 96201-10/12

## Installation Instruction 1/3



| No | Description      | QTY |
|----|------------------|-----|
| 1  | Rough-in Valve   | 1   |
| 2  | Protective Cover | 1   |
| 3  | Panel            | 1   |
| 4  | On/off Handle    | 1   |
| 5  | Hexagonal Screw  | 1   |
| 6  | Allen Key        | 1   |
| 7  | Decorative Hat   | 1   |
| 8  | Decorative Cover | 1   |
| 9  | Shower Arm       | 1   |
| 10 | Shower Head      | 1   |

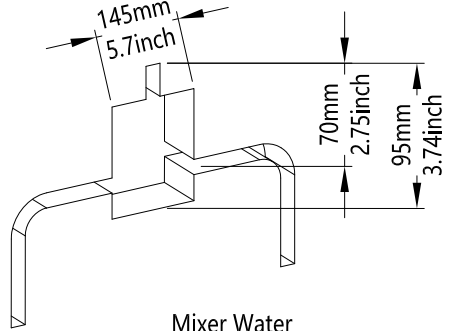
### Installation Instruction



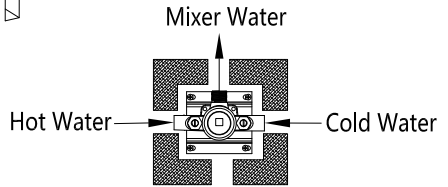
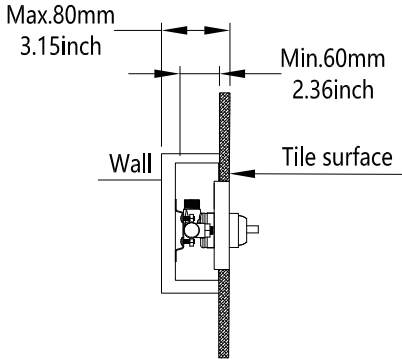
# Model: 96201-10/12

## Installation Instruction 2/3

1.The size of the embedded box that needs to be drilled is 5.7" \*3.74"

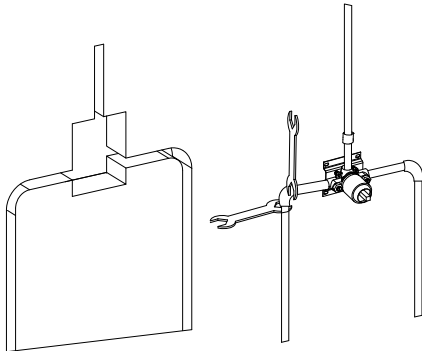
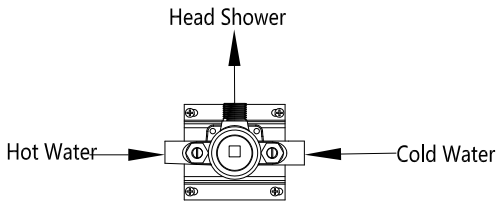


2.The depth of the embedded box is 2.36" - 3.15"  
It's better to drill the depth of 2.36" for blank wall



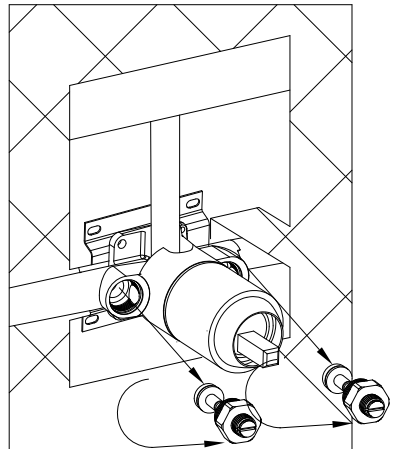
### Pipe Connection

- 1.Please drill the holes on the wall for the main body embedded part, hot and cold water inlet pipes as well as shower arm connection pipes according to the basic product dimension drawing as below.
- 2.Please make hot and cold water inlet pipe, the mixed water outlet pipe connect with control valve, and tightened with the wrench.



### Water Testing And Sealing Testing

- 1.After the pipeline connection is completed, unscrew the stop valve, open the pipeline switch to flush the impurities and sludge to avoid blockage and affect the water flow function;
- 2.Close the switch, re-tighten the stop valve and open the switch again to make the pipeline is under pressure. Check the pressure resistance and sealing performance of the valve and pipeline to ensure that there is no leakage in the pipeline.

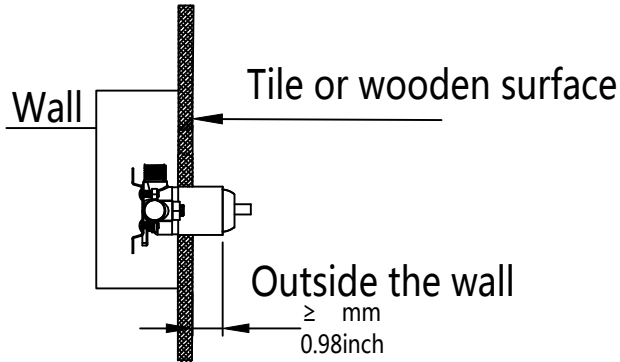


# Model: 96201-10/12

## Installation Instruction 3/3

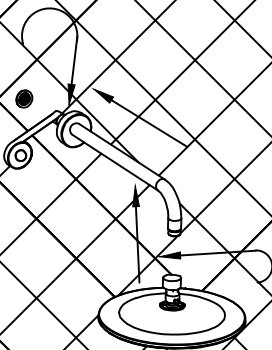
### The Procedure of Sealing The Wall

Use a parallel ruler to measure the flatness of the embedded box casing and the vertical wall surface. If the wall surface is not flat, it should be patched to ensure the embedded box casing and vertical wall angle meets at nearly ideal angle of 90, then lay the tile decoration.



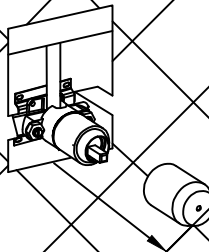
### Head Shower Installation

- 1.Wrap the tape around the pipe thread and screw it on the wall hole
- 2.Screw the head shower onto the outlet pipe thread

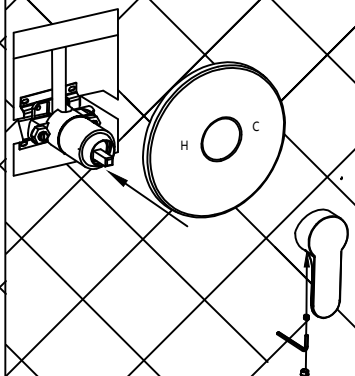


### Installation Of Rough-in Valve

- 1.Take off the protective cover



- 2.The panel and the handle are connected to the control valve as shown below sequence

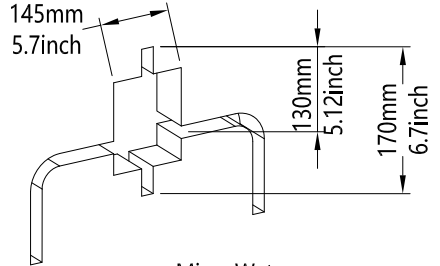




# Model: 96202-10/12

## Installation Instruction 2/3

1.The size of the embedded box that needs to be drilled is 5.7" \*6.7"



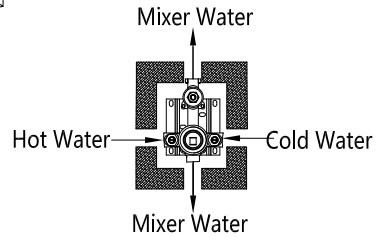
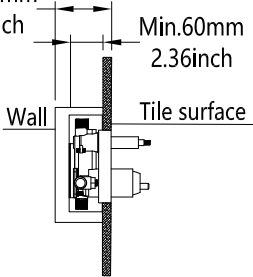
2.The depth of the embedded box is 2.36" - 3.15"  
It's better to drill the depth of 2.36"for blank wall

Max.80mm

3.15inch

Min.60mm

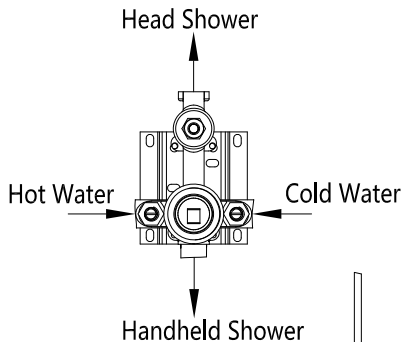
2.36inch



### Pipe Connection

1.Please drill the holes on the wall for the main body embedded part, hot and cold water inlet pipes as well as shower arm connection pipes according to the basic product dimension drawing as below.

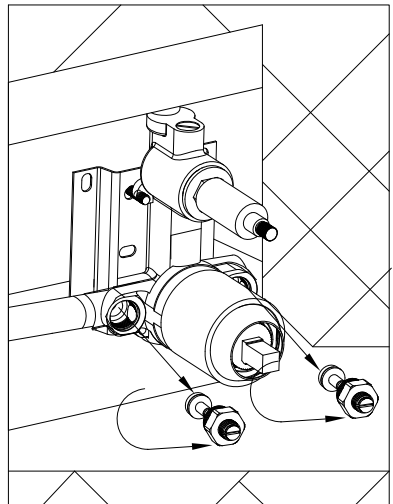
2.Please make hot and cold water inlet pipe, the mixed water outlet pipe connect with control valve, and tightened with the wrench.



### Water Testing And Sealing Testing

1.After the pipeline connection is completed, unscrew the stop valve, open the pipeline switch to flush the impurities and sludge to avoid blockage and affect the water flow function;

2.Close the switch, re-tighten the stop valve and open the switch again to make the pipeline is under pressure. Check the pressure resistance and sealing performance of the valve and pipeline to ensure that there is no leakage in the pipeline.

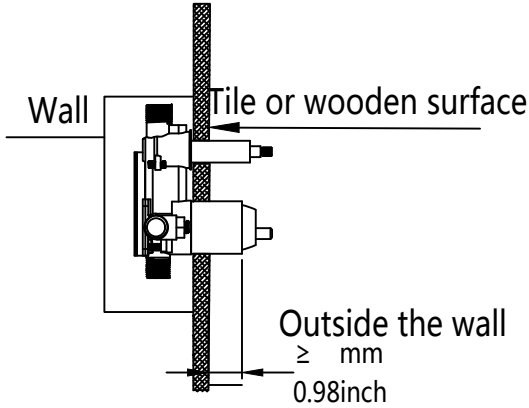


# Model: 96202-10/12

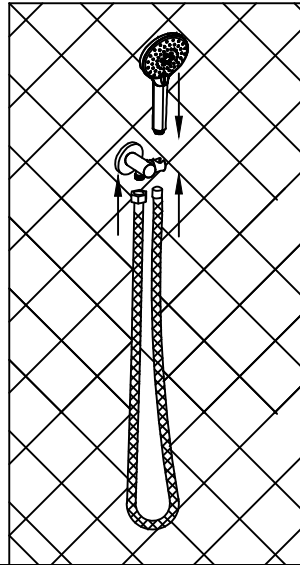
## Installation Instruction 3/3

### The Procedure of Sealing The Wall

Use a parallel ruler to measure the flatness of the embedded box casing and the vertical wall surface. If the wall surface is not flat, it should be patched to ensure the embedded box casing and vertical wall angle meets at nearly ideal angle of 90, then lay the tile decoration.

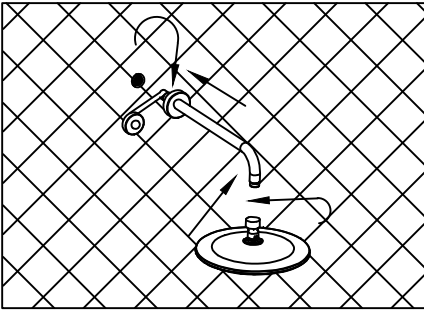


### Handle Shower Installation



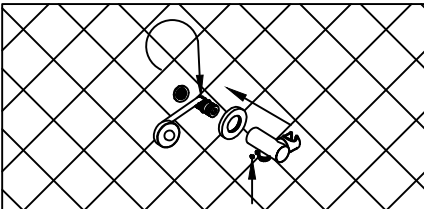
### Head Shower Installation

1. Wrap the tape around the pipe thread and screw it on the wall hole
2. Screw the head shower onto the outlet pipe thread



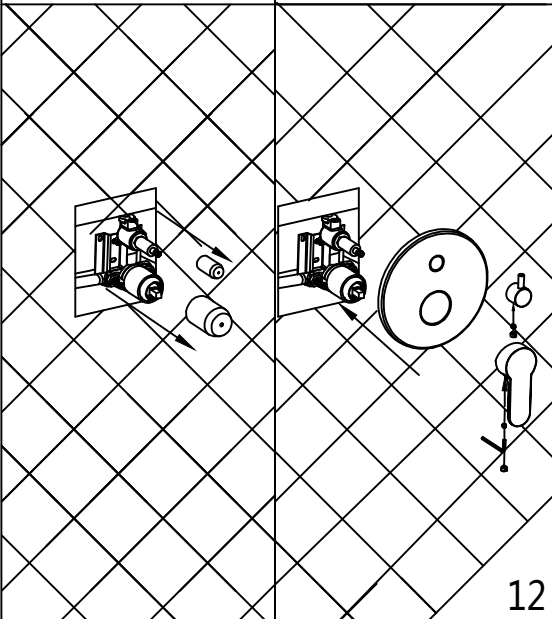
### Shower Holder Installation

1. Take off the two screws in the bottom of the shower seat.
2. Wrap the tape around the pipe thread and screw the seat on the wall hole
3. Screw the two screws on again



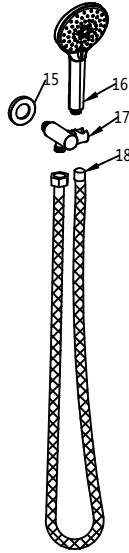
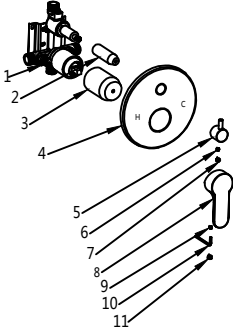
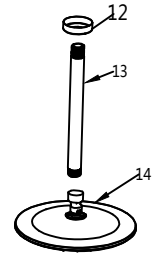
### Installation of Rough-in Valve

1. Take off the protective cover
2. The panel and the handle are connected to the control valve as shown below sequence



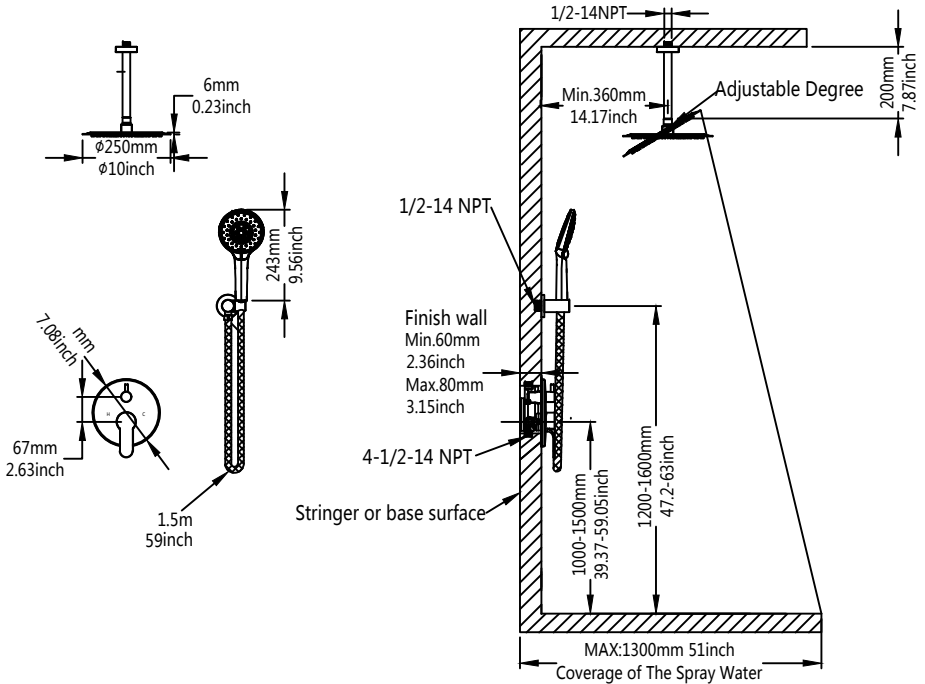
# Model: 96205-10/12

## Installation Instruction 1/3



| No | Description      | QTY |
|----|------------------|-----|
| 1  | Rough-in Valve   | 1   |
| 2  | Protective Cover | 1   |
| 3  | Protective Cover | 1   |
| 4  | Panel            | 1   |
| 5  | Diverter Knob    | 1   |
| 6  | Hexagonal Screw  | 1   |
| 7  | Decorative Hat   | 1   |
| 8  | On/off Handle    | 1   |
| 9  | Hexagonal Screw  | 1   |
| 10 | Allen Key        | 1   |
| 11 | Decorative Hat   | 1   |
| 12 | Decorative Cover | 1   |
| 13 | Shower Arm       | 1   |
| 14 | Shower Head      | 1   |
| 15 | Decorative Cover | 1   |
| 16 | Handle Shower    | 1   |
| 17 | Shower Holder    | 1   |
| 18 | Shower Hose      | 1   |

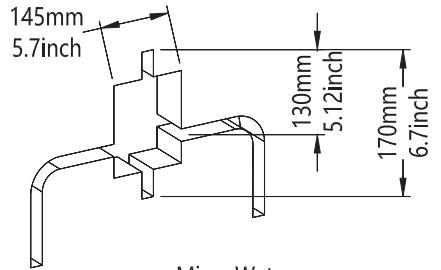
### Technical Drawing of Dual Function



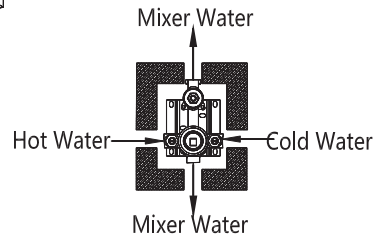
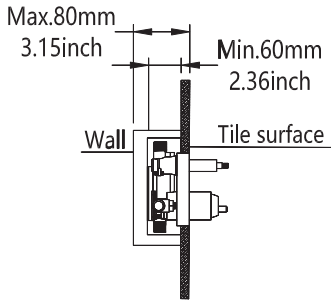
# Model: 96205-10/12

## Installation Instruction 2/3

1.The size of the embedded box that needs to be drilled is 5.7" \*6.7"

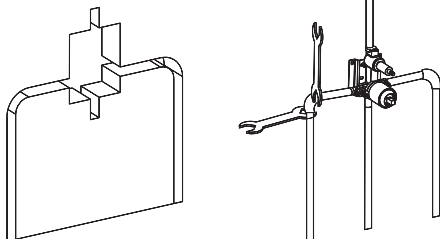
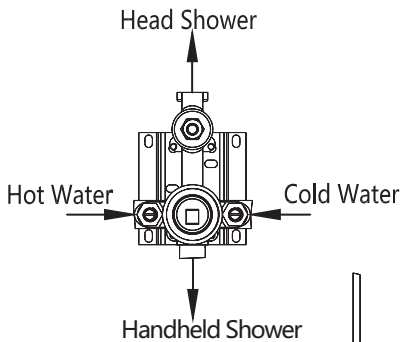


2.The depth of the embedded box is 2.36" - 3.15"  
It's better to drill the depth of 2.36"for blank wall



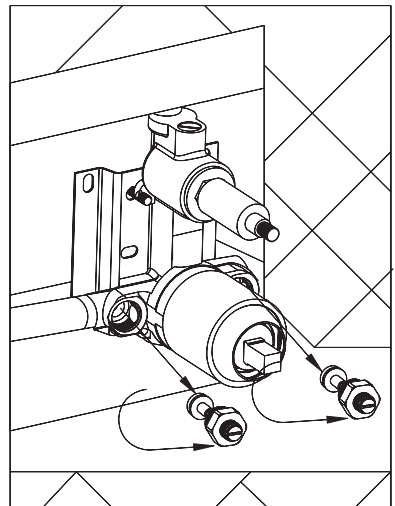
### Pipe Connection

- 1.Please drill the holes on the wall for the main body embedded part, hot and cold water inlet pipes as well as shower arm connection pipes according to the basic product dimension drawing as below.
- 2.Please make hot and cold water inlet pipe, the mixed water outlet pipe connect with control valve, and tightened with the wrench.



### Water Testing And Sealing Testing

- 1.After the pipeline connection is completed, unscrew the stop valve, open the pipeline switch to flush the impurities and sludge to avoid blockage and affect the water flow function;
- 2.Close the switch, re-tighten the stop valve and open the switch again to make the pipeline is under pressure. Check the pressure resistance and sealing performance of the valve and pipeline to ensure that there is no leakage in the pipeline.



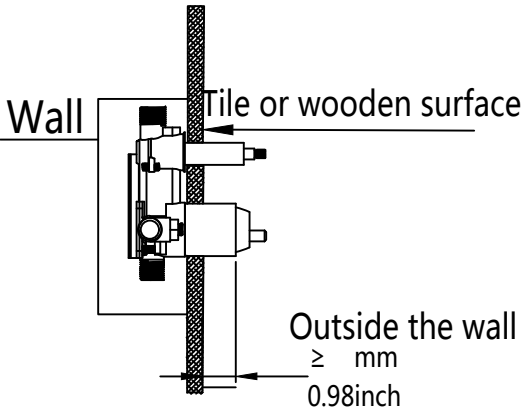


# Model: 96205-10/12

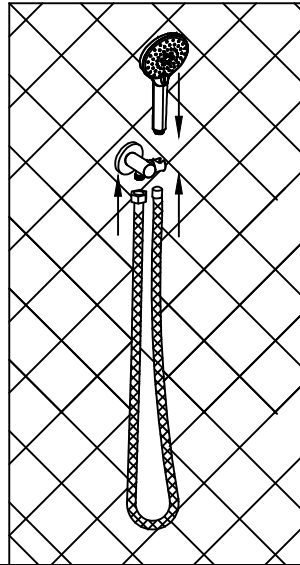
## Installation Instruction 3/3

### The Procedure of Sealing The Wall

Use a parallel ruler to measure the flatness of the embedded box casing and the vertical wall surface. If the wall surface is not flat, it should be patched to ensure the embedded box casing and vertical wall angle meets at nearly ideal angle of 90, then lay the tile decoration.

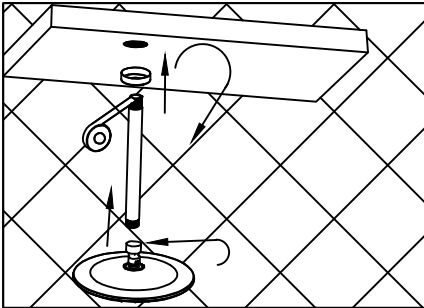


### Handle Shower Installation



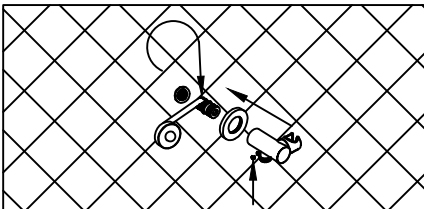
### Head Shower Installation

1. Wrap the tape around the pipe thread and screw it on the wall hole
2. Screw the head shower onto the outlet pipe thread



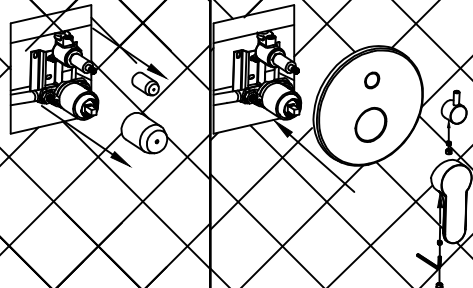
### Shower Holder Installation

1. Take off the two screws in the bottom of the shower seat.
2. Wrap the tape around the pipe thread and screw the seat on the wall hole
3. Screw the two screws on again



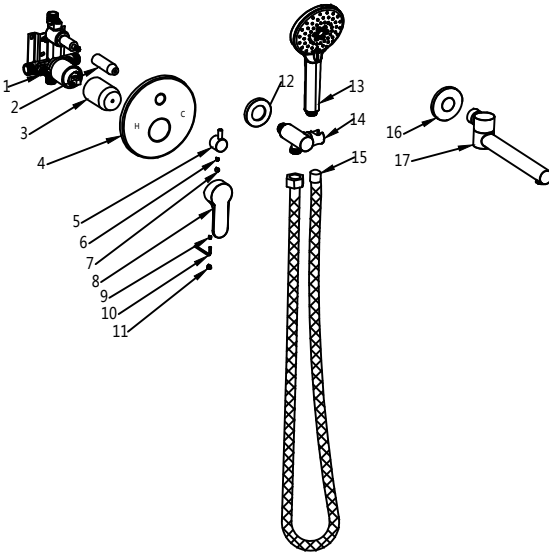
### Installation of Rough-in Valve

1. Take off the protective cover
2. The panel and the handle are connected to the control valve as shown below sequence



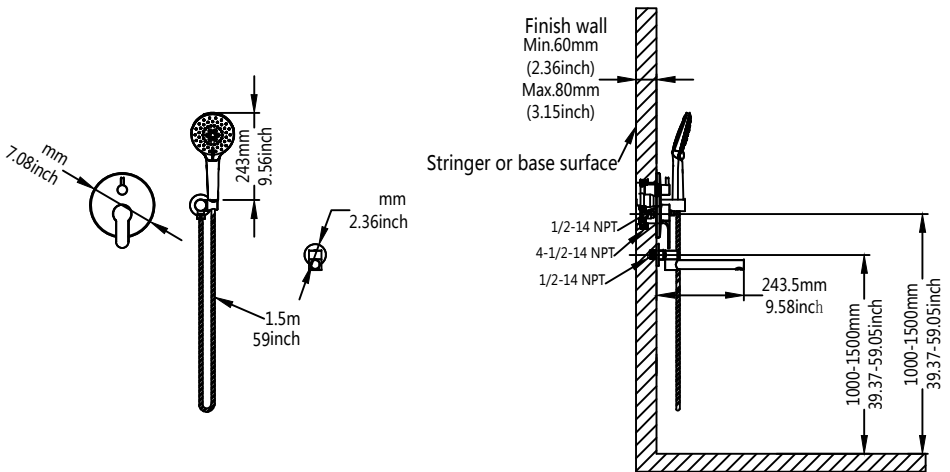
# Model: 96207

## Dual Function Concealed Faucet Parts List 1/3



| No | Description             | QTY |
|----|-------------------------|-----|
| 1  | Rough-in Valve          | 1   |
| 2  | Protective Cover        | 1   |
| 3  | Protective Cover        | 1   |
| 4  | Panel                   | 1   |
| 5  | Diverter Knob           | 1   |
| 6  | Hexagonal Screw         | 1   |
| 7  | Decorative Hat          | 1   |
| 8  | On/off Handle           | 1   |
| 9  | Hexagonal Screw         | 1   |
| 10 | Allen Key               | 1   |
| 11 | Decorative Hat          | 1   |
| 12 | Decorative Cover        | 1   |
| 13 | Handheld Shower         | 1   |
| 14 | Shower Holder           | 1   |
| 15 | Shower Hose             | 1   |
| 16 | Decorative Cover        | 1   |
| 17 | Rotatable Bathtub Spout | 1   |

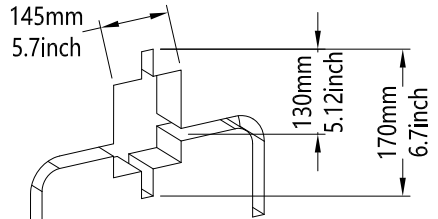
### Technical Drawing of Dual Function



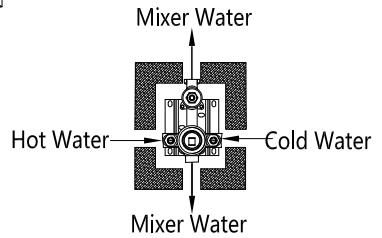
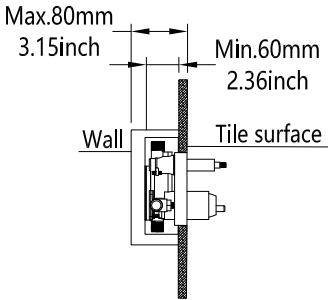
# Model:96207-10

## Installation Instruction 2/3

1.The size of the embedded box that needs to be drilled is 5.7" \*6.7"



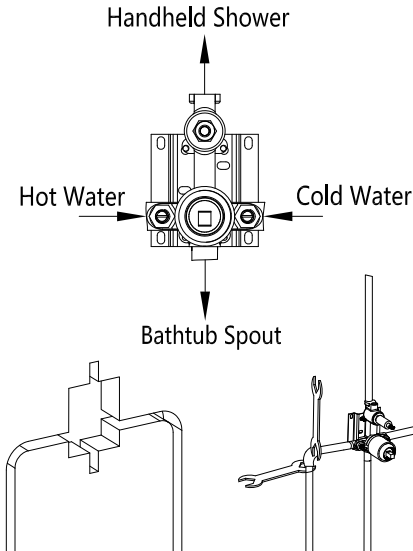
2.The depth of the embedded box is 2.36" - 3.15"  
It's better to drill the depth of 2.36" for blank wall



### Pipe Connection

1.Please drill the holes on the wall for the main body embedded part, hot and cold water inlet pipes according to the basic product dimension drawing as below.

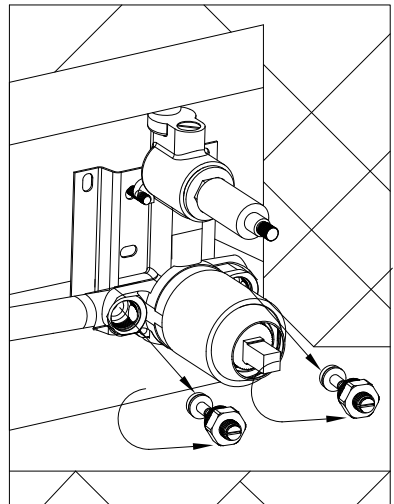
2.Please make hot and cold water inlet pipe, the mixed water outlet pipe connect with control valve, and tightened with the wrench.



### Water Testing And Sealing Testing

1.After the pipeline connection is completed, unscrew the stop valve, open the pipeline switch to flush the impurities and sludge to avoid blockage and affect the water flow function;

2.Close the switch, re-tighten the stop valve and open the switch again to make the pipeline is under pressure. Check the pressure resistance and sealing performance of the valve and pipeline to ensure that there is no leakage in the pipeline.

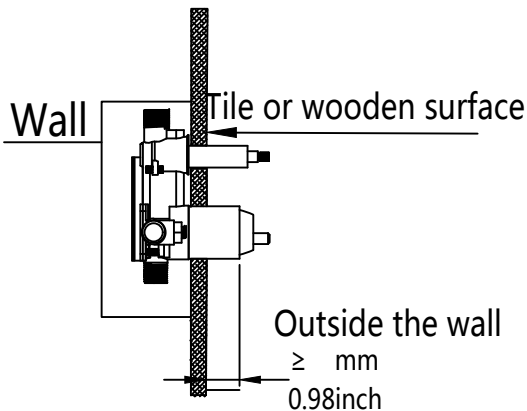


# Model:96207-10

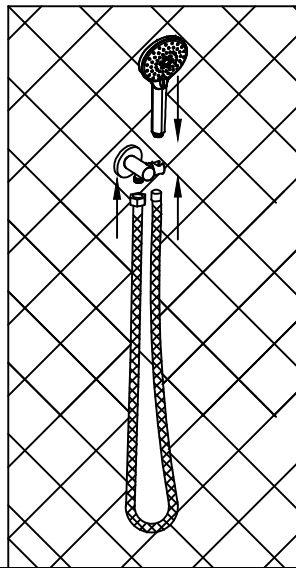
## Installation Instruction 3/3

### The Procedure of Sealing The Wall

Use a parallel ruler to measure the flatness of the embedded box casing and the vertical wall surface. If the wall surface is not flat, it should be patched to ensure the embedded box casing and vertical wall angle meets at nearly ideal angle of 90, then lay the tile decoration.

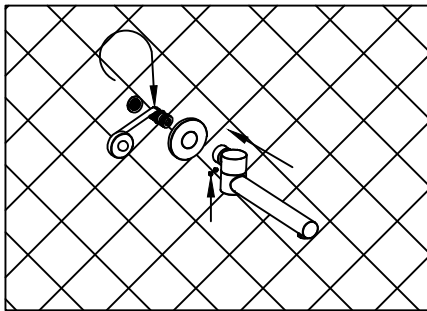


### Handle Shower Installation



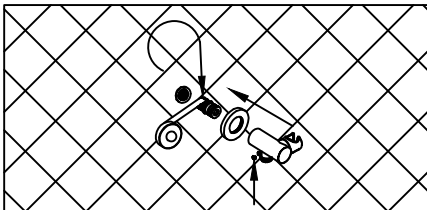
### Tub Spout Installation

1. Take off the two screws in the bottom of the tub spout.
2. Wrap the tape around pipe thread, screw the tub spout on wall hole.
3. Screw the two screws on again.



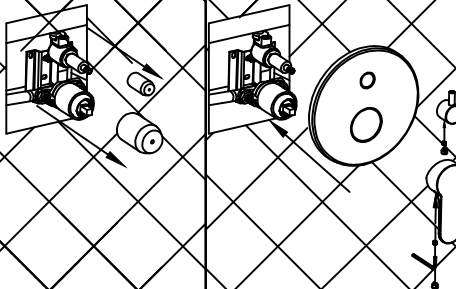
### Shower Seat Installation

1. Take off the two screws in the bottom of the shower seat.
2. Wrap the tape around the pipe thread and screw the seat on the wall hole
3. Screw the two screws on again



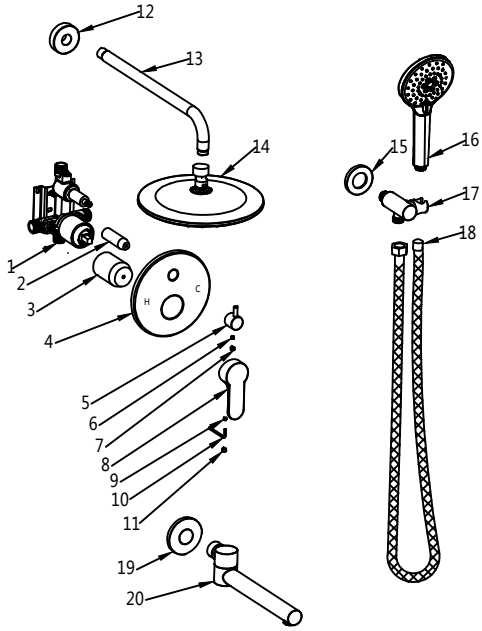
### Installation of Rough-in Valve

1. Take off the protective cover
2. The panel and the handle are connected to the control valve as shown below sequence



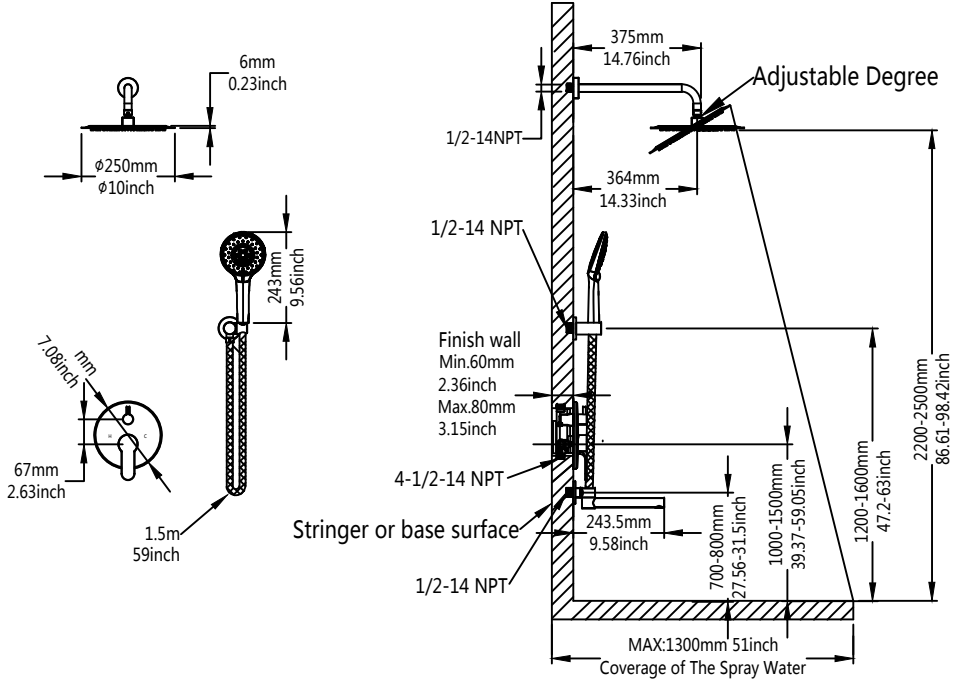
# Model:96203-10/12

## Installation Instruction 1/3



| No | Description             | QTY |
|----|-------------------------|-----|
| 1  | Rough-in Valve          | 1   |
| 2  | Protective Cover        | 1   |
| 3  | Protective Cover        | 1   |
| 4  | Panel                   | 1   |
| 5  | Diverter Knob           | 1   |
| 6  | Hexagonal Screw         | 1   |
| 7  | Decorative Hat          | 1   |
| 8  | On/off Handle           | 1   |
| 9  | Hexagonal Screw         | 1   |
| 10 | Allen Key               | 1   |
| 11 | Decorative Hat          | 1   |
| 12 | Decorative Cover        | 1   |
| 13 | Shower Arm              | 1   |
| 14 | Shower Head             | 1   |
| 15 | Decorative Cover        | 1   |
| 16 | Handle Shower           | 1   |
| 17 | Shower Holder           | 1   |
| 18 | Shower Hose             | 1   |
| 19 | Decorative Cover        | 1   |
| 20 | Rotatable Bathtub Spout | 1   |

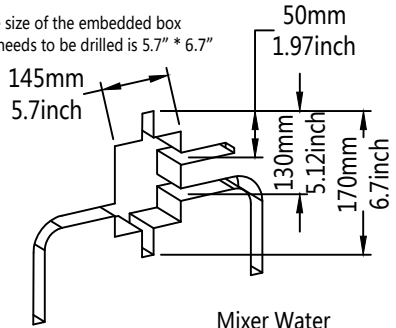
### Technical Drawing of Three Function



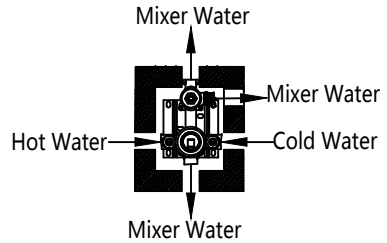
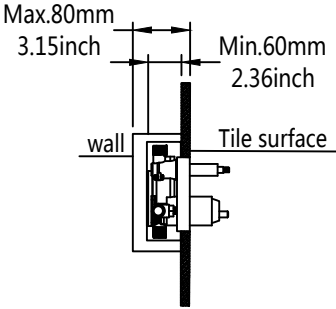
# Model:96203-10/12

## Installation Instruction 2/3

1.The size of the embedded box that needs to be drilled is 5.7" \* 6.7"

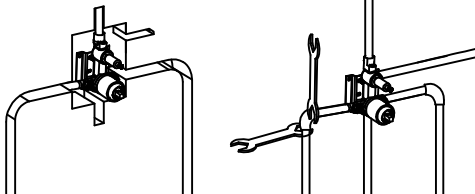
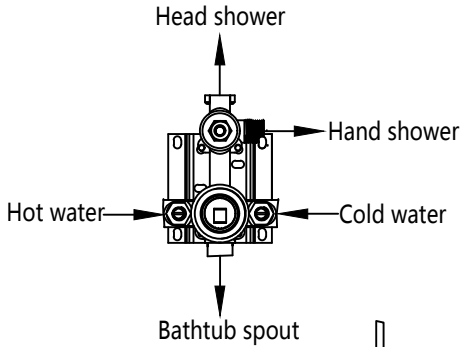


2.The depth of the embedded box is 2.36" - 3.15"  
It's better to drill the depth of 2.36"for blank wall



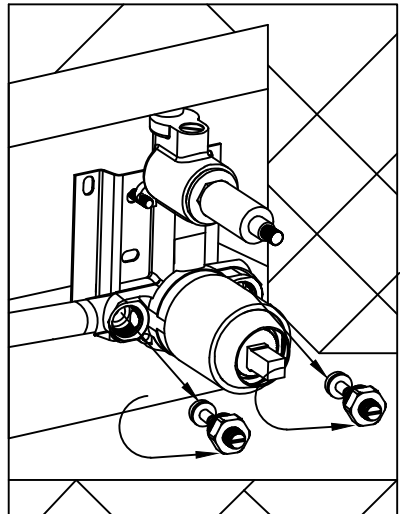
### Pipe Connection

- 1.Please drill the holes on the wall for the main body embedded part, hot and cold water inlet pipes as well as shower arm connection pipes according to the basic product dimension drawing as below.
- 2.Please make hot and cold water inlet pipe, the mixed water outlet pipe connect with control valve, and tightened with the wrench.



### Water Testing And Sealing Testing

- 1.After the pipeline connection is completed, unscrew the stop valve, open the pipeline switch to flush the impurities and sludge to avoid blockage and affect the water flow function;
- 2.Close the switch, re-tighten the stop valve and open the switch again to make the pipeline is under pressure. Check the pressure resistance and sealing performance of the valve and pipeline to ensure that there is no leakage in the pipeline.

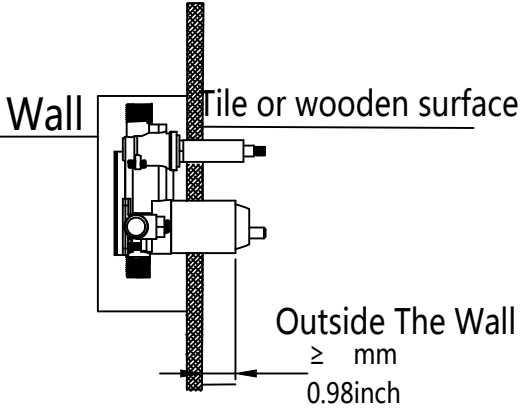


# Model:96203-10/12

## Installation Instruction 3/3

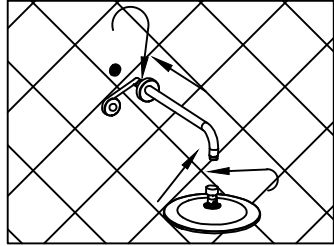
### The Procedure Of Sealing The Wall

Use a parallel ruler to measure the flatness of the embedded box casing and the vertical wall surface. If the wall surface is not flat, it should be patched to ensure the embedded box casing and vertical wall angle meets at nearly ideal angle of 90, then lay the tile decoration.



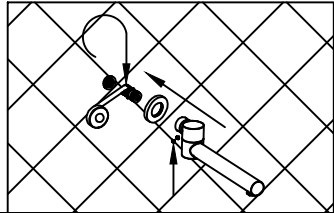
### Shower Head Installation

1. Wrap the tape around the pipe thread and screw it on the wall hole
2. Screw the head shower onto the outlet pipe thread



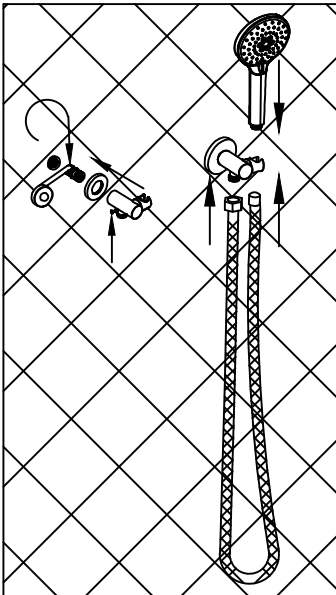
### Tub Spout Installation

1. Take off the two screws in the bottom of the tub spout.
2. Wrap the tape around pipe thread, screw the tub spout on wall hole.
3. Screw the two screws on again.



### Handle Shower Installation

1. Take off the two screws in the bottom of the shower holder.
2. Wrap the tape around the pipe thread and screw the seat on the wall hole
3. Screw the two screws on again
4. Screw the handheld shower and hose onto the holder.



### Installation of Rough-in Valve

1. Take off the protective cover
2. The panel and the handle are connected to the control valve as shown below sequence

