



QUFRESH

Fresh Air is Better Air

100 Washington Rd Mineral Wells, TX 76067

MC503

Bathroom Ventilator Specifications

BLOWER:

- Plug-in, permanently lubricated motor
- Polymeric blower wheel
- Thermally Protected
- Sound Level can mask other noises

HOUSING:

- Rugged, galvanized steel construction
- 3" round ducting
- Polymeric duct connector and no metallic clatter
- 3-3/4" height allows wall or ceiling mounting
- Includes mounting tabs with keyhole slots for fast installation
- 1/2" electrical connection

GRILLE:

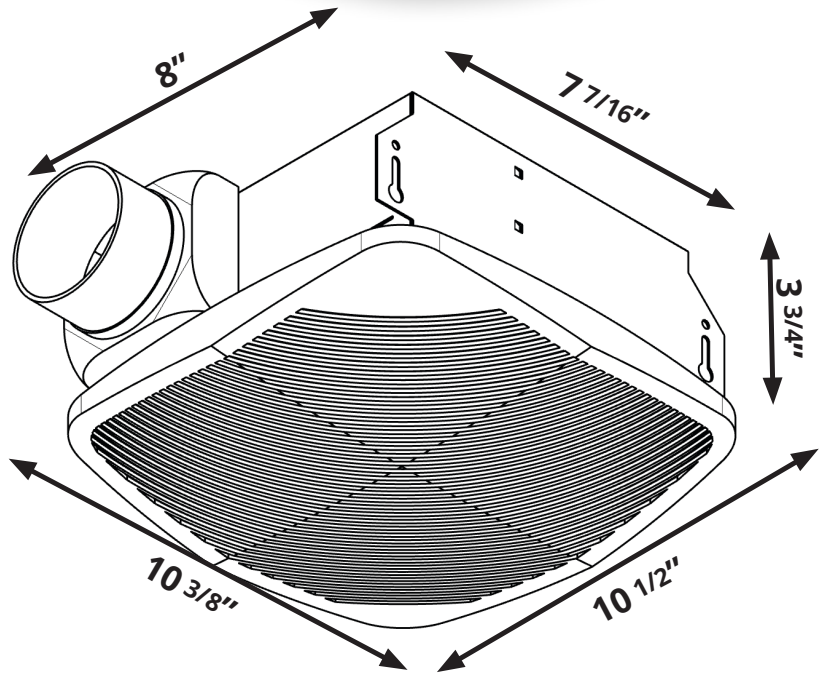
- Polymeric construction
- Fast, Easy, spring installation
- Oversized 10-3/8" x 10-1/2"

Accessories:

- Ceiling Radiation Damper model MCCRD

Available as Contractor Packs:

- Housing rough-in **MC3A**
- Trim Kit **M50B**



UL Listed for use over bathtubs and showers when connected to a GFCI protected branch circuit (ceiling mount only).

EXPANDED PERFORMANCE

	Static Pressure (Inches of w.g.)							Fan Speed RPM	Maximum Fan Watts	Amps
	0.00	0.10	0.15	0.20	0.25	0.30	0.35			
Air Flow CFM	58	50	45	39	33	27	21	2200	40.0	0.7
Sones		4.0								

REFERENCE	QTY	REMARKS	Project	
			Location	
			Architect	
			Engineer	
			Contractor	
			Submitted By	Date

www.QuFresh.com

866.499.3700