



# QUFRESH

Fresh Air is Better Air

100 Washington Rd Mineral Wells, TX 76067

# BQ80

## Bathroom Ventilator Specifications

### BLOWER:

- Plug-in, permanently lubricated PSC motor-engineered for continuous operation
- Dynamically balanced centrifugal blower wheel for quiet, efficient performance
- Low RPM for quiet operation

### HOUSING:

- Rugged, galvanized steel construction
- 4" round ducting
- Polymeric duct connector and no metallic clatter
- 5-5/8" height allows for 2" x 8" (nominal) joist installations
- 1/2" electrical connection (knock out)

### GRILLE:

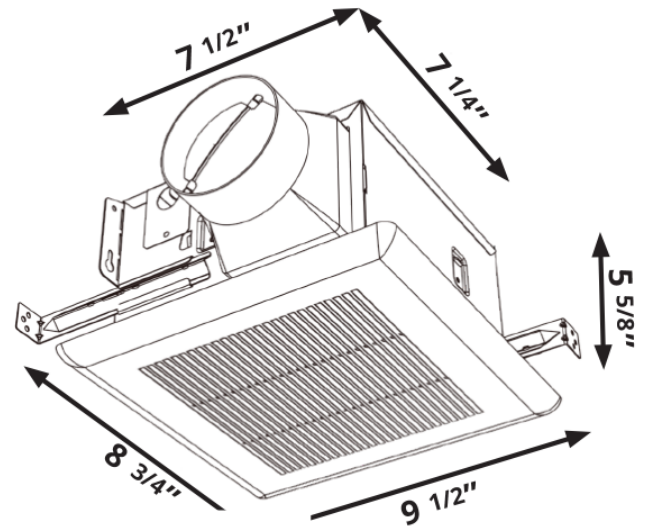
- Polymeric construction
- Fast, easy, spring installation

### ACCESSORIES:

- Ceiling Radiation Damper (BQCRD)

### Available as Contractor Packs

- Housing Rough-In BQ4A
- Trim Kit BQ80B



Intertek

Can be used to comply with:



ETL Listed for use over bathtubs and showers when connected to a GFCI protected branch circuit (ceiling mount only).

### EXPANDED PERFORMANCE

	Static Pressure (Inches of w.g.)							Fan Speed RPM	Maximum Fan Watts	Amps
	0.00	0.10	0.15	0.20	0.25	0.30	0.35			
<b>Air Flow CFM</b>	<b>84</b>	<b>80</b>	<b>77</b>	<b>74</b>	<b>71</b>	<b>68</b>	<b>60</b>		<b>25.0</b>	<b>0.3</b>
<b>Sones</b>		<b>1.0</b>			<b>1.5</b>					

REFERENCE	QTY	REMARKS	Project
			Location
			Architect
			Engineer
			Contractor
			Submitted By
			Date

www.QuFresh.com

866.499.3700