

Saeco® SIN 006XN



**Cod. 10002322-2361-
2362-2540-2541-2542**

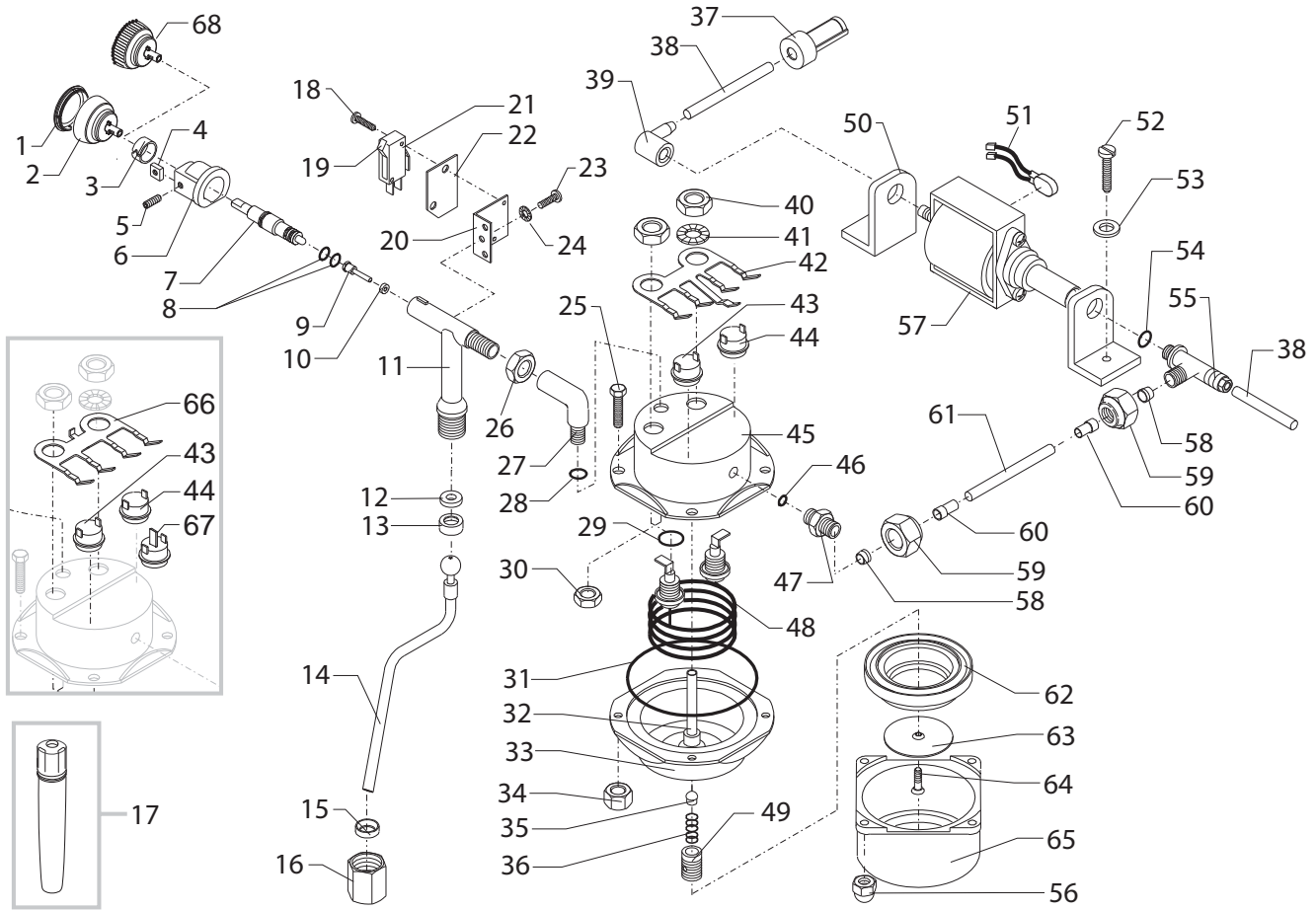
POS	CODE	DESCRIPTION	NOTE	POS	CODE	DESCRIPTION	NOTE
01	178690700	BOX POLYST.RIO VAPORE A10/A100		31	142860150	BLACK WATER TANK FUNNEL	
02	13000611	DISPAY BOX V2 SAECO VIA VENEZIA RST BLK		32	129590121	SELF TAPSCREW 2,9X6,5 TMC SS	
	13000536	DISPAY BOX SAECO VIA VENEZIA RST SS		33	11007764	ST.STEEL FIN.7 CUPWARMING LID A10/A100	
03	15001163	INSTR.MANUAL SAECO VIA VENEZIA RST			122801321	ST.STEEL CUPWARMING LID A10/A100	
	15001252	INSTRUCT.MANUAL SAECO VIA VENEZIA RST SS		34	129516803	SCREW TCB3,5X19 DIN 7981 NICK	
04	146680159	GREY/7016 COFFEE MEASURE		35	142840762	GREY SCREW COVER PLATE	
05	148000550	SCRAPER SEAL CLEANING CROSS INSERT		36	147750647	BLACK BOILER PLATE GUARD A100/A110	
06	179990200	BAND FOR LIFTING L=1550 H=150 MM		37	128310321	WASHER UNI 8842 A3 SS	
07	226552008	BLACK/CHROM.BRASS FILTERHOLDER STARBUCK (SEE EXP.COD.E90022)		38	128210200	ELASTIC WASHER FOR SHAFT D=2MM	
	226551850	BLACK PRESS.FILTERH.BRASS (SEE EXP.COD.E90005)		39	11007078	SILVER BUTTON EXTERNAL FRAME AROMA RST	
08	124652821	POD FILTER F.D=31MM H=20,2MM P=1,5MM		40	12000864	COFFEE LIGHT BIPOL.SWITCH UL 1AA5HLG000	
	124653221	POD FILTER F.D=31 MM H=20,2MM P=2 MM			12000829	COFFEE LIGHT BIPOL.SWITCH 1AA5CLG000	
09	145849762	PRES.FILTER HOLDER SS BOILER H=11,3		41	11006942	GREY INNER SUPPORT BUTTON AROMA RST	
10	11007909	SB/STAINLESS STEEL GRATE A100 /A110		42	11007613	SILVER BUTTON 1 CUP VIA VENEZIA RST	
	125740921	STAINLESS STEEL GRATE A100 /A110		43	12000867	STEAM LIGHT ONE-POLE SWITCH UL1AA5HLG001	
11	11007615	BLACK DRIP TRAY A100/A110 S/SCREEN SAECO			5332003000	STEAM LIGHT ONE-POLE SWITCH 1AA5CLG001	
12	142600347	BLACK REPOSITORY DRAWER A100/A110		44	11007614	SILVER BUTTON STEAM VIA VENEZIA RST	
13	149180847	BLACK DRIP TRAY SUPPORT A100/A110		45	12000865	ON-OFF LIGHT BIPOL.SWITCH UL 11A8HLG000	
14	187640500	GROMMET AB/9 BLACK 75SHORE 1017712			12000853	ON-OFF LIGHT BIPOL.SWITCH 11A8CLG000	
15	183920150	P.CABLE USA/UL BLACK L=1600MM		46	11007612	SILVER BUTTON ON/OFF VIA VENEZIA RST	
	183502000	POWER CABLE SCHUKO BLACK L=1600MM		47	182510700	ANTIDIST.CONDENSER R.46 0,1MF 275VAC	
	183504000	P.CABLE AUSTRALIA BLACK L=1600MM					
	183970150	POWER CABLE UK BLACK L=2000MM					
16	147620500	ROUND ADHESIVE FOOT 5025 BLACK					
17	188600550	CABLE CLAMP BLACK					
18	U109.014	SCREW AUT.TCB 2,9X16 DIN 7981 C					
19	129511803	SCREW TCB 2,9X6,4 DIN 7981 NICK					
20	128310304	WASHER UNI 8842 A3 BURNISHED					
21	227540547	BLACK BOILER SUPPORT PLATE VAP/PROFI					
22	11007698	BLACK/SML CASING V.V.RST S/S VIA VENEZIA					
22	11007957	SS.SATINY CASING V.V.RST S/S VIA VENEZIA					
23	147620700	ROUND SELF ADH. FOOT SJ 5003 BLACK					
24	11007754	WATER CONT.A100/A110 TRANSP/GREY S/S.MAX					
25	186801400	3 WAY JUNCT.BLOCK PA 27/3 + SYMBOLS					
26	186800700	SUBJUNCTION BLOCK PA 52 24 WAY					
27	129823802	TCB SCREW M4X8 UNI 7687 ZNP					
28	186400200	DOUBLE TABS 6,3 D=4,3 <=45° 0010397000					
29	128310404	WASHER UNI 8842 A4 BURNISHED					
30	123160402	NUT M4 HIGH UNI 5587 GALVANIZED					

Saeco®

VIA VENEZIA RST

Rev. 01 - 08/05/08

TABLE 1/2



Saeco SIN 006XN INOX BOILER



Cod. 10002322-2361-2362-2540-2541-2542

POS	CODE	DESCRIPTION	NOTE
01	11007771	SILV.WATER-STEAM KNOB LID V.VEN.RST S/SC	
02	11005018	UNPAINTED WATER-STEAM KNOB P236	
03	120460204	RAPID CONNECTOR D=10,6 H=5 SP=1	
04	123451900	SQUARE NUT M4 CH=8 H=2.5 ZNP	
05	125580104	STEI SCREW M4X8 UNI 5929 BURNISHED	
06	142200350	CAM FOR FAUCET SHAFT	
07	11007616	TEA/BRASS FAUCET SHAFT L=73,3 MM	
08	11001517	TEA/BRASS FAUCET SHAFT L=57 MM	AUS
09	140321462	OR 2018 IN SILICONE	
10	11001485	NIKELED PISTON L=21	
11	11003980	TEFLON SEAL D=6 FOR PISTON	
12	128452403	NIKELED FAUCET FOR SS.BOILER A100-A110	
13	145840365	SEAL FOR ARTICULA. STEAM TUBE	
14	148620100	UPPER SEMISPHERE SEAL	
15	11005562	ST.STEEL STEAM TUBE P236 ASSY.	
16	11008361	ST.STEEL STEAM TUBE V.VENEZIA RST ASSY.	
17	148620200	LO. SEMISPHERE SEAL	
18	123450308	SELF-LOCK NUT H=21 STEAM TUBE+SPHER	
19	227431350	BLACK/BLACK PANNARELLO G100 ASSY.	
20	U109.014	SCREW AUT.TCB 2,9X16 DIN 7981 C	
21	126310200	CROUZET LEVER 161 F 70507528	
22	129180802	MICRO SUPPORT PLA.	
23	186701500	MICROSWITCH 83161.1 IW3 UL/CSA 8316116	
24	12000898	MICROSWITCH GWIT 83163173	
25	11009072	INSULATE PROTECTION 24X38,8 FOR MICRO	
26	129823802	TCB SCREW M4X8 UNI 7687 ZNP	
27	128310404	WASHER UNI 8842 A4 BURNISHED	
28	129680802	SCREW WITH WASHER TE M5X20 GALVANIZ	
29	123390420	NUT 1/8 GAS H=4.5 CH=13 BRASS	
30	227910200	TEA/BRASS CONNec.FOR SS BOILER A100-A110	
31	140323062	OR 2043 IN SILICONE	
32	NM01.021	OR 2050 SILICONE	
33	123390109	TEA/BRASS NUT 1/8 GAS H=6 CH=14	
34	140322962	OR 176 IN SILICONE	
35	129310920	TEA/BRASS INTERNAL TUBE FOR SS BOILER	
36	222891400	SS.LOWER BOILER CASING + BRASS/TEA HUB	
37	123160502	NUT M5 HIGH UNI 5587-68 GALVANIZED	
38	149450588	SILICONE VALVE 65SH BOILER SEALING	
39	126761518	SPRING FOR BOILER VALVE	
40	144650100	SUCTION FILTER	
41	149360200	SILICONE TUBE 5X8 70SR	IN ROLL

POS	CODE	DESCRIPTION	NOTE
42	147920150	90°CONNECTOR PUMP INLET	
43	123452000	NUT M 12 X1,25 H= 4,5	
44	128311204	WASHER UNI 8842 A12 BURN.	
45	126833921	RESSORT THERMOSTATIQUE	
46	189422000	THERMOSTAT 95° 1NT-01L-0036	
47	189425100	THERMOSTAT 127° 1NT-01L-0499	
48	122902121	UPPER BOILER CASING + BRACKETS W/O VAPIS	
49	140320762	OR 108 IN SILICONE	
50	127960903	TEA/BRASS STRAIGHT FITTING FOR SS.BOILER	
51	188150151	HEAT ELEMENT+TEA/BRASS TERMINAL	120V-900W
52	188150158	HEAT ELEMENT+TEA/BRASS TERMINAL	230V-900W
53	11001196	VIS DE VALVE CHAUDIERE	
54	149181550	PUMP SUPPORT TYPE ULKA	
55	189201000	THERMAL PROTECTOR 120°C CABLES112/265	
56	129768902	TC SCREW M5X16 UNI 6107 ZNP	
57	128310504	WASHER UNI 8842 A5 BURN.	
58	140321961	OR 2031 IN TERMOIL	
59	11001535	TEA/BRASS CONNec.T=12+PUMP SAFETY VALVE	
60	123330120	CAP NUT M5 UNI 5721-69 CL5S	
61	12000142	ULKA PUMP EAP5/S	120V-60HZ
62	12000140	ULKA PUMP EP5/S GW	230V-50HZ
63	12000167	ULKA PUMP EP5/S GW	240V-50HZ
64	121800420	OGIVE BUSH 6 (DE=8,4 DI =6,2 L=7	
65	123460120	BRASS NUT 1/8" GAS FOR TEFLON TUBE D=6	
66	121840120	BRASS INNER TUBE BUSH (DE4XD13X10)	
67	149400100	TEFLON TUBE 4X6	IN ROLL
68	145841500	FILTERHOLD SEAL	
69	123741421	PERCOLATOR DE =48,8 SS BOILER JACOBS	
70	129854021	TSP SCREW M4X8 UNI 7688 SS	
71	11008367	GREY FILTERHOLDER LOCKING RING S/SCREEN	
72	120281000	POLISHED FILTERHOLDER LOCKING RING	
73	126836321	3 TH .FIX. SPRING EARTH SYMBOL. ST	230V-240V
74	189428200	THERMOSTAT 175° 1NT-08L-3794	230V-240V
75	147710350	BLACK KNOB FAUCET SHAFT A100/A110	AUS
76	11007743	SS BOILER GEN.VIA VENEZIA RST ASSY.	120V
77	282125158	SS BOIL.GEN (A100-110/3T W/O.SP) ASSY.	230V
78	11009113	SS BOILER GEN.VIA VENEZIA RST ASSY.	230V