

SEQUENTMICROSYSTEMS.COM

WATCHDOG-V6_0

SKU : SM-I-003

WATCHDOG SCH

VER : 6.0

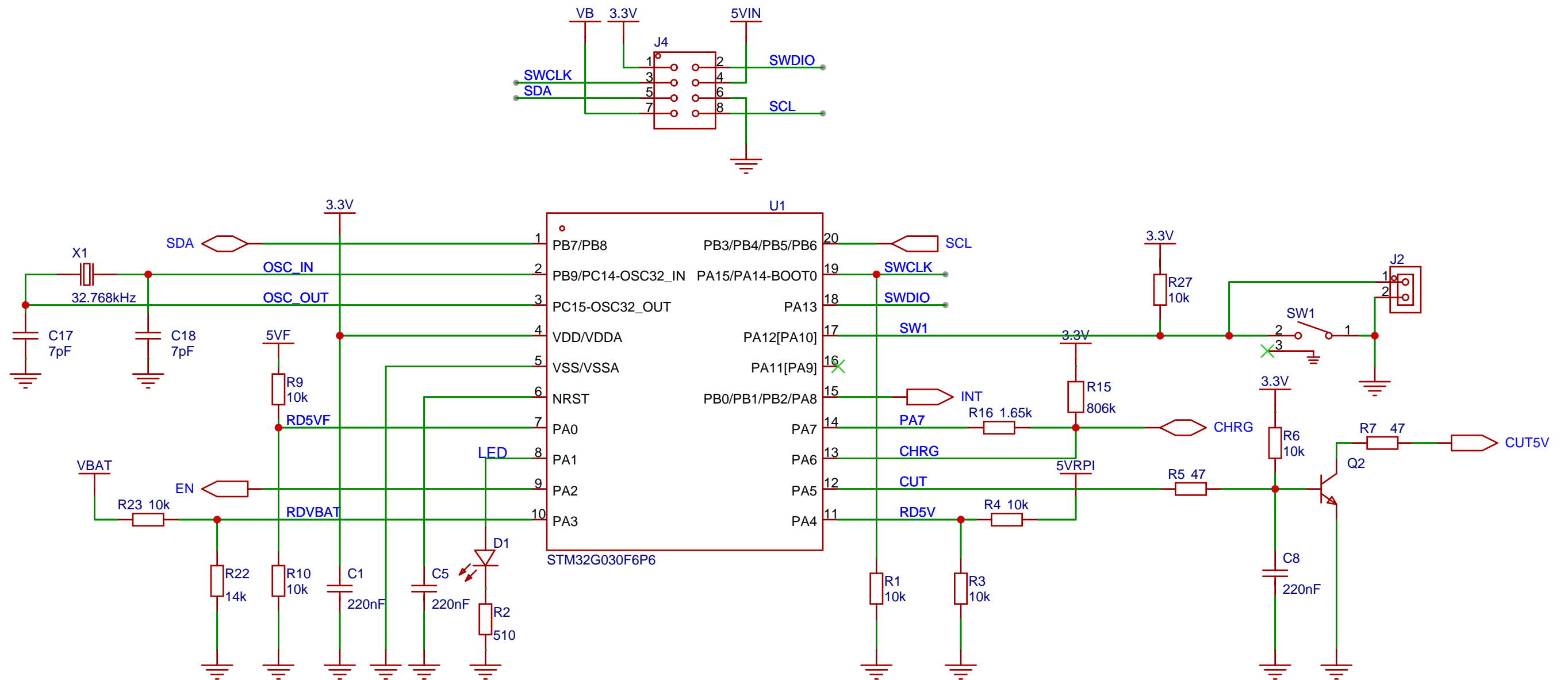
PI CONNECTOR

Created: 2022-08-12

Updated: 2022-08-25

UPC : 4782912926338

PAGE 1 OF 4



SEQUENTMICROSYSTEMS.COM

WATCHDOG-V6_0

SKU : SM-I-003

WATCHDOG SCH

PROCESSOR

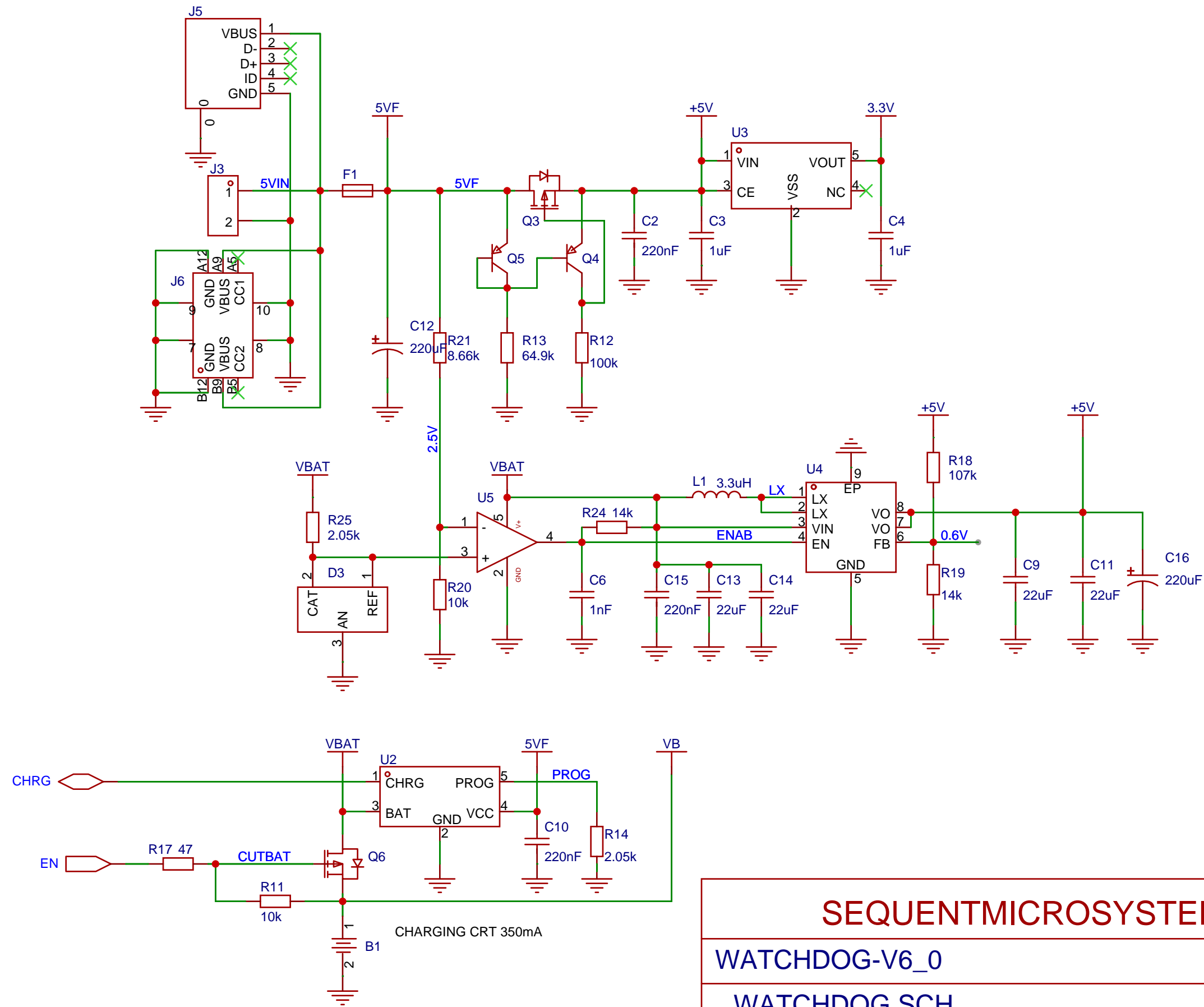
VER : 6.0

Created: 2022-08-12

Updated: 2022-09-04

UPC : 4782912926338

PAGE 2 OF 4



SEQUENTMICROSYSTEMS.COM

WATCHDOG-V6_0

SKU : SM-I-003

WATCHDOG SCH

POWER SUPPLY

VER : 6.0

Created: 2022-08-15

Updated: 2022-09-04

UPC : 4782912926338

PAGE 3 OF 4

CONNECTOR PLUGS

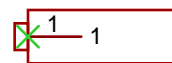
J7



Add into BOM : yes
Convert to PCB : no

18650 BATTERY

B2



Convert to PCB : yes
Add into BOM : no

RASPBERRY PI

J23



Convert to PCB : no

MOUNTING HOLES



Convert to PCB : yes

HOLE COORDS

-1142,-138
1142,-138

19mm STANDOFFS

S1



S2



2.5MM NUTS

N1



N2



2.5MM X 5MM SCREWS

SC1



SC2



SEQUENTMICROSYSTEMS.COM

WATCHDOG-V6_0

SKU : SM-I-003

WATCHDOG SCH

VER : 6.0

ACCESSORIES

Created: 2022-08-12

Updated: 2023-01-17

UPC : 4782912926338

PAGE 4 OF 4