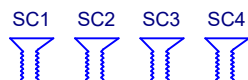


18mm STANDOFFS

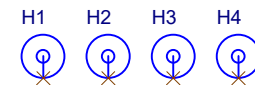


2.5mm NUTS

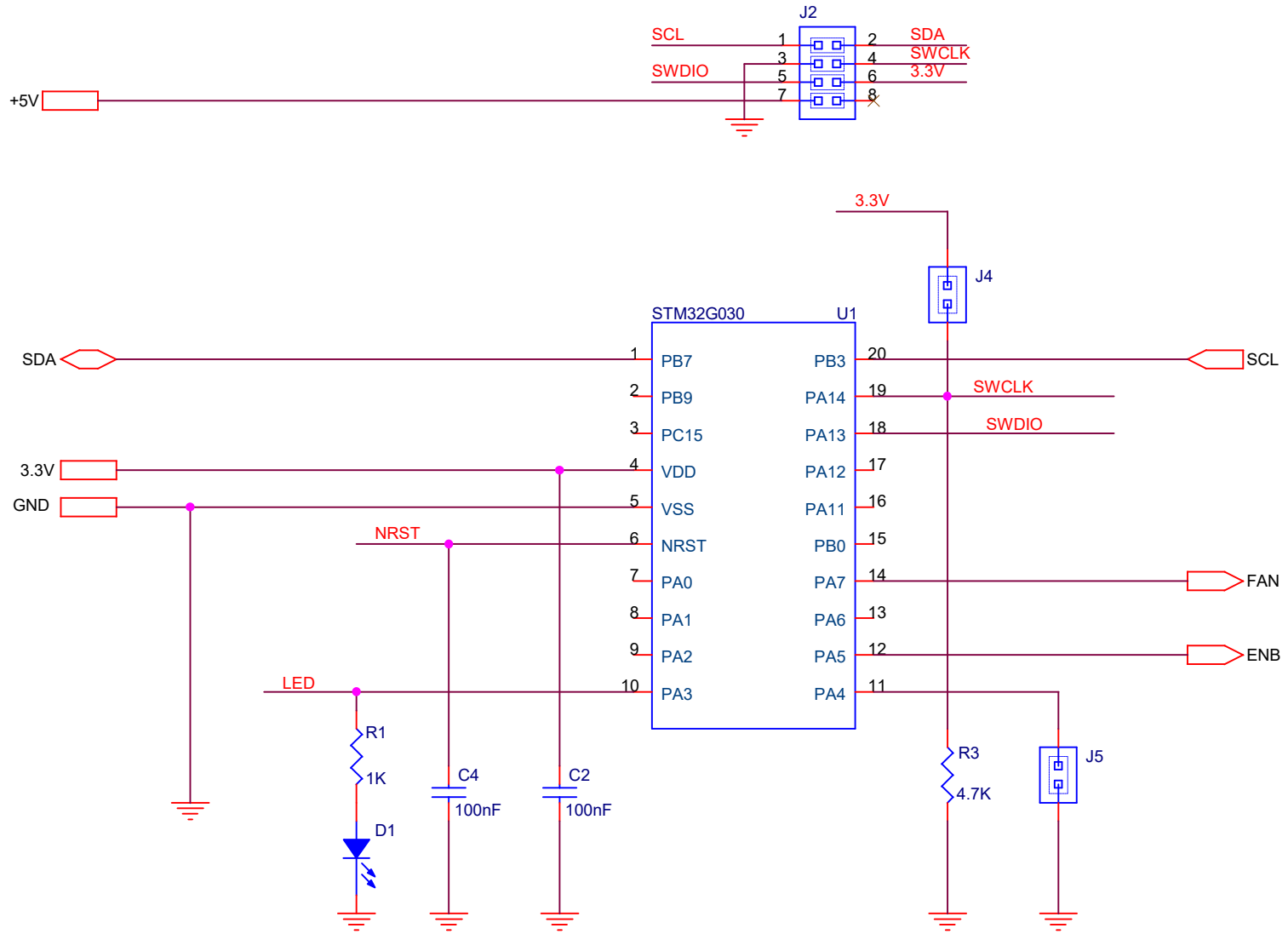


M2.5x5mm SCREWS

MOUNTING HOLES



SEQUENTMICROSYSTEMS.COM		
Title SMART FAN FOR RASPBERRY PI		
Size A	Document Number Block Diagram	Rev 5.0
Date: Friday, June 24, 2022	Sheet 1	of 3



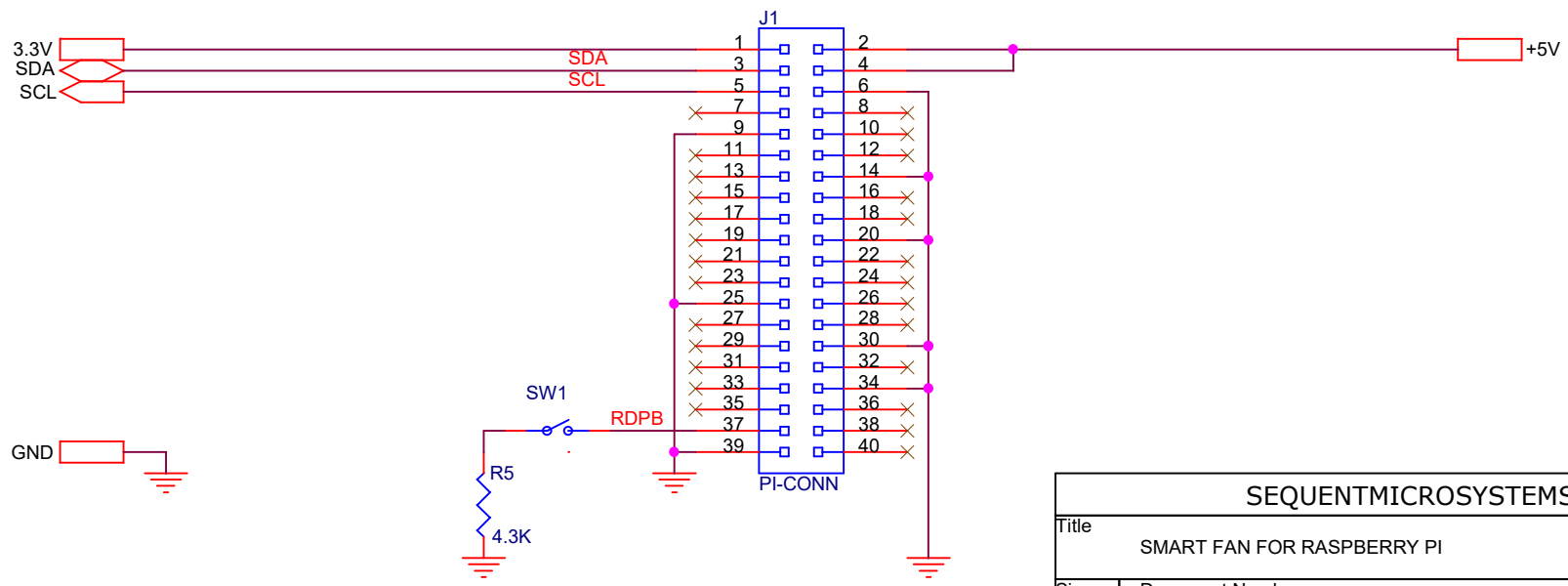
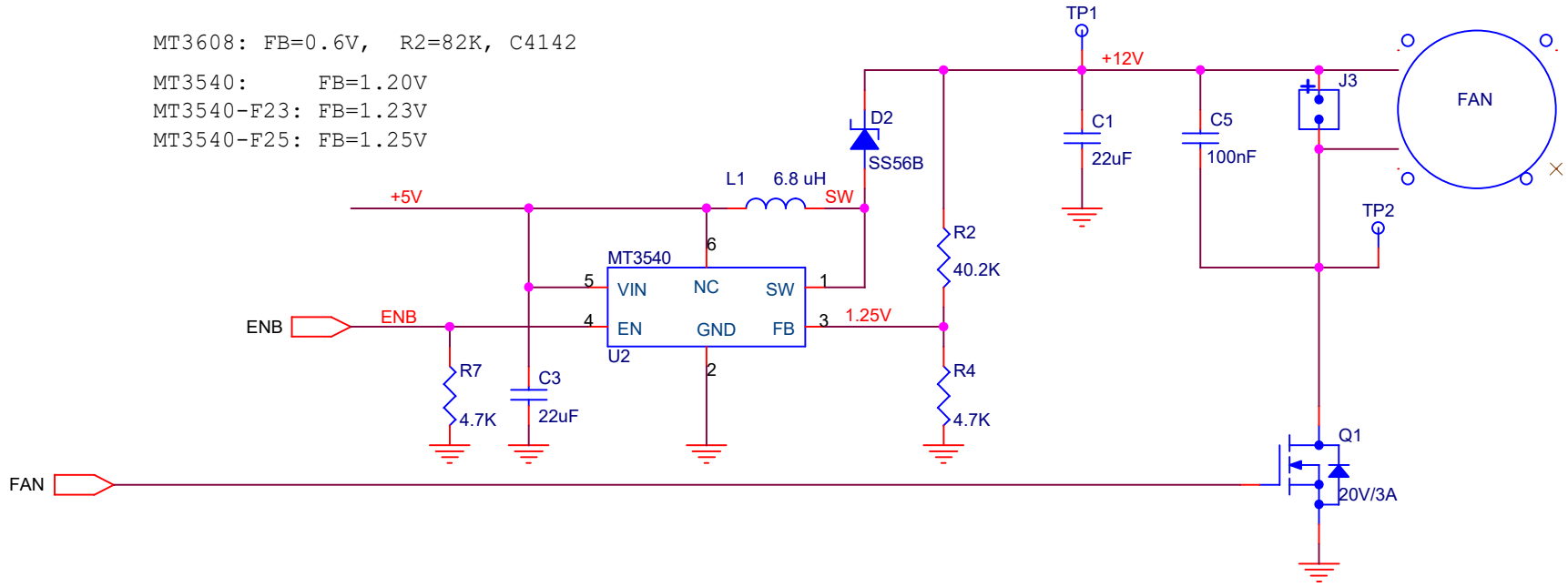
SEQUENTMICROSYSTEMS.COM		
Title		
SMART FAN FOR RASPBERRY PI		
Size	Document Number	Rev
A	Processor	5.0
Date:	Friday, June 24, 2022	Sheet 2 of 3

MT3608: FB=0.6V, R2=82K, C4142

MT3540: FB=1.20V

MT3540-F23: FB=1.23V

MT3540-F25: FB=1.25V



SEQUENTMICROSYSTEMS.COM		
Title		
SMART FAN FOR RASPBERRY PI		
Size	Document Number	Rev
A	RPI CONNECTOR	5.0
Date:	Sunday, August 14, 2022	Sheet 3 of 3