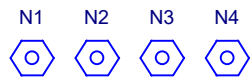
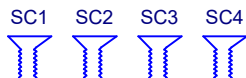


19mm STANDOFFS

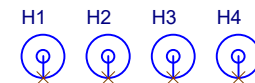


2.5mm NUTS

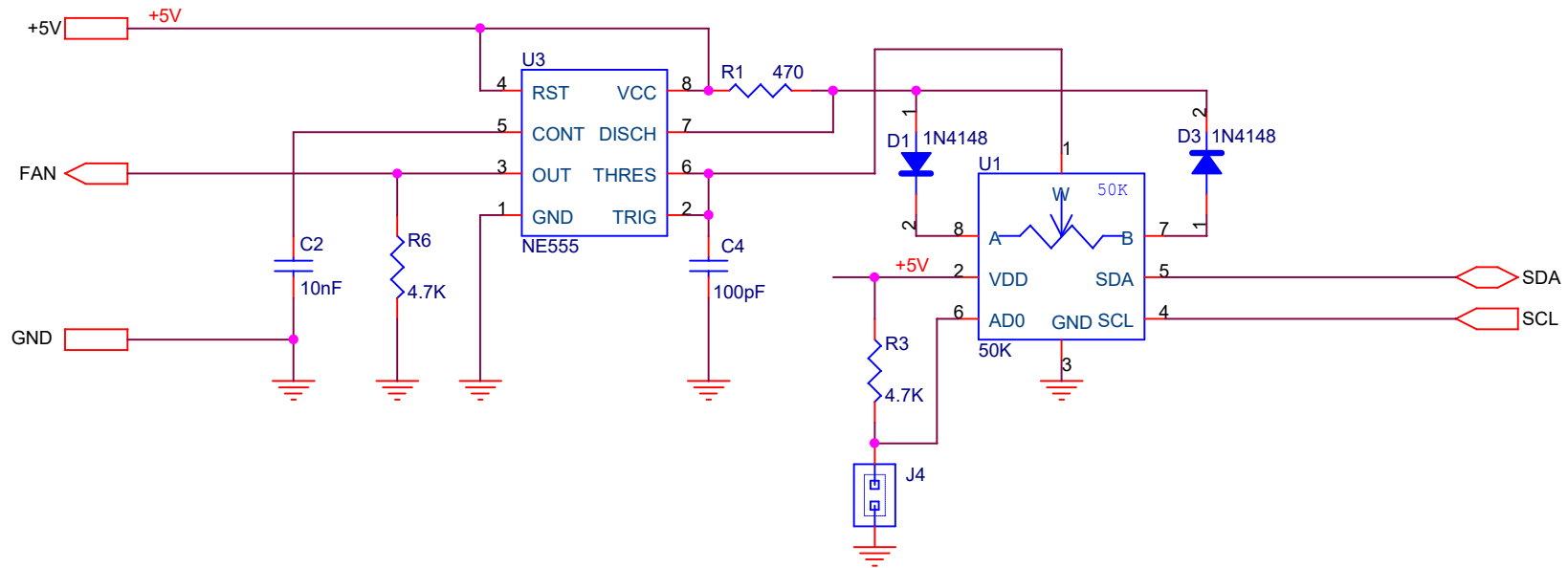


M2.5x5mm SCREWS

MOUNTING HOLES

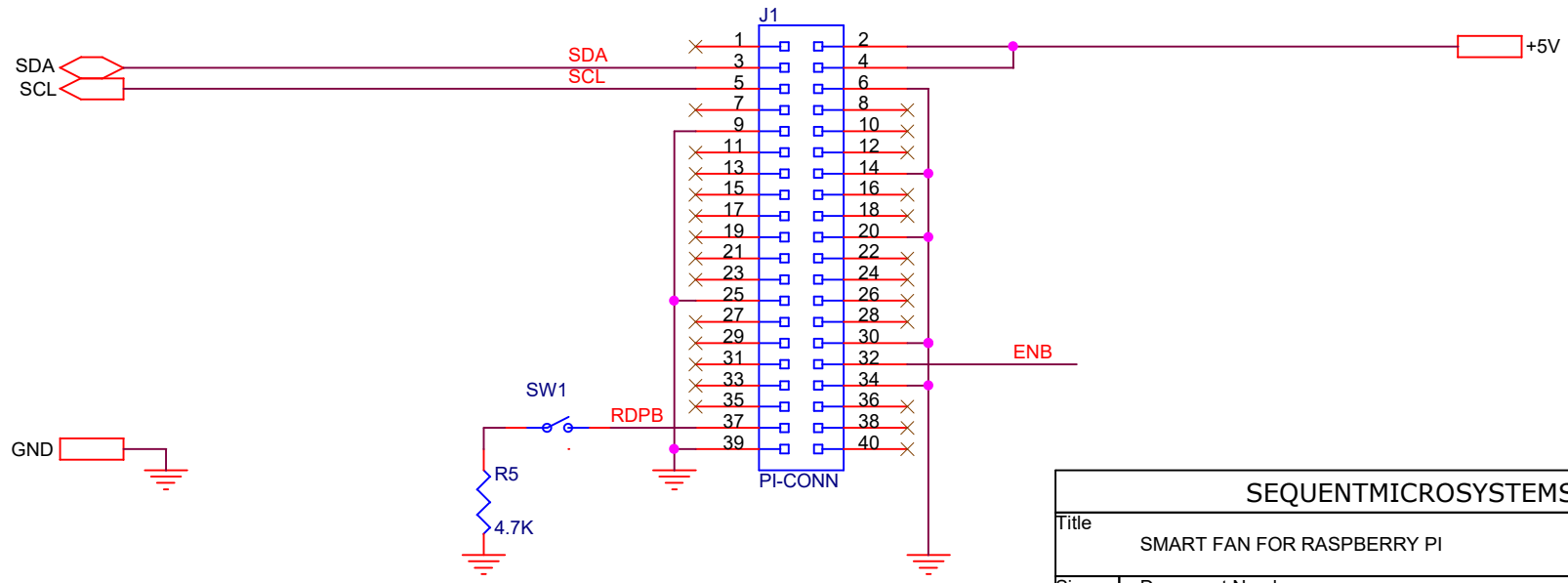
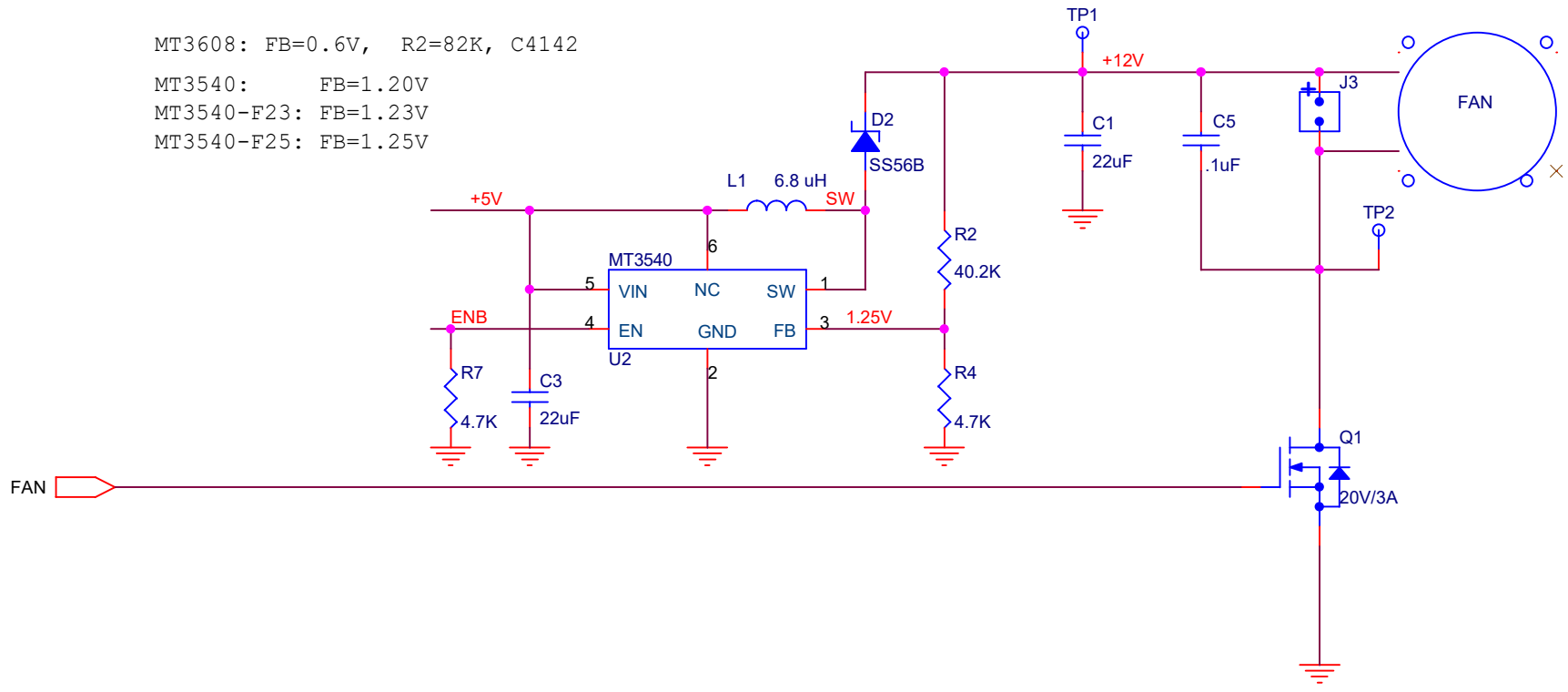


SEQUENTMICROSYSTEMS.COM		
Title SMART FAN FOR RASPBERRY PI		
Size A	Document Number Block Diagram	Rev 4.0
Date: Wednesday, June 15, 2022	Sheet 1	of 3



SEQUENTMICROSYSTEMS.COM		
Title		
SMART FAN FOR RASPBERRY PI		
Size	Document Number	Rev
A	PWM	4.0
Date:	Wednesday, June 15, 2022	Sheet 2 of 3

MT3608: FB=0.6V, R2=82K, C4142
 MT3540: FB=1.20V
 MT3540-F23: FB=1.23V
 MT3540-F25: FB=1.25V



SEQUENTMICROSYSTEMS.COM		
Title		
SMART FAN FOR RASPBERRY PI		
Size	Document Number	Rev
A	RPI CONNECTOR	4.0
Date:	Wednesday, June 15, 2022	Sheet 3 of 3