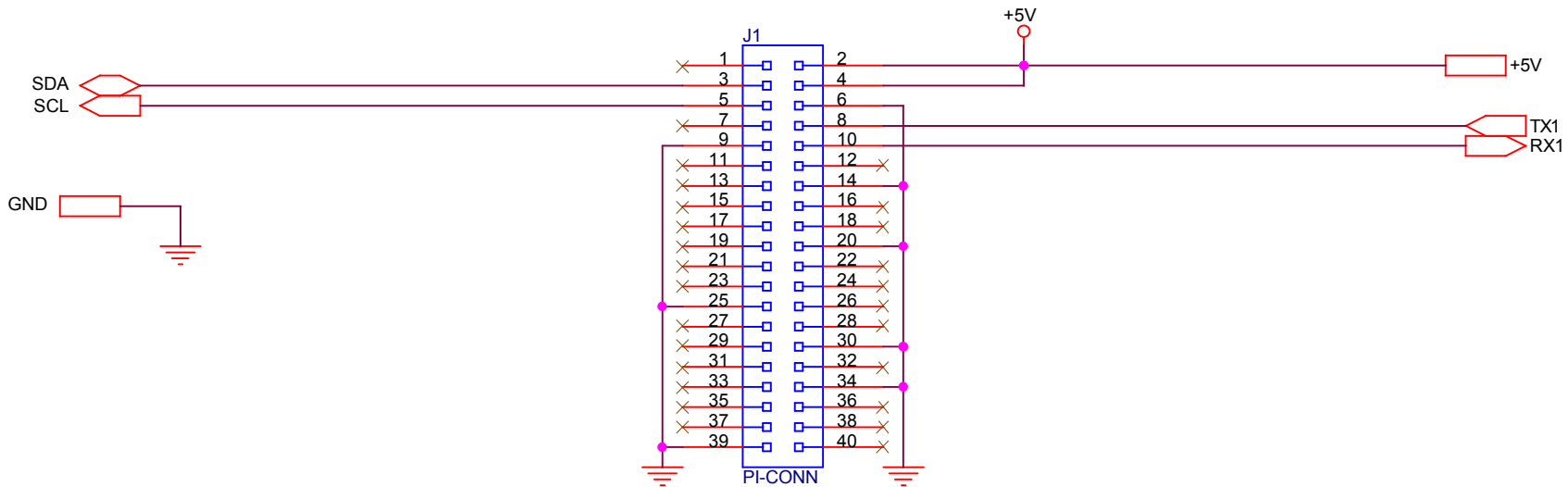
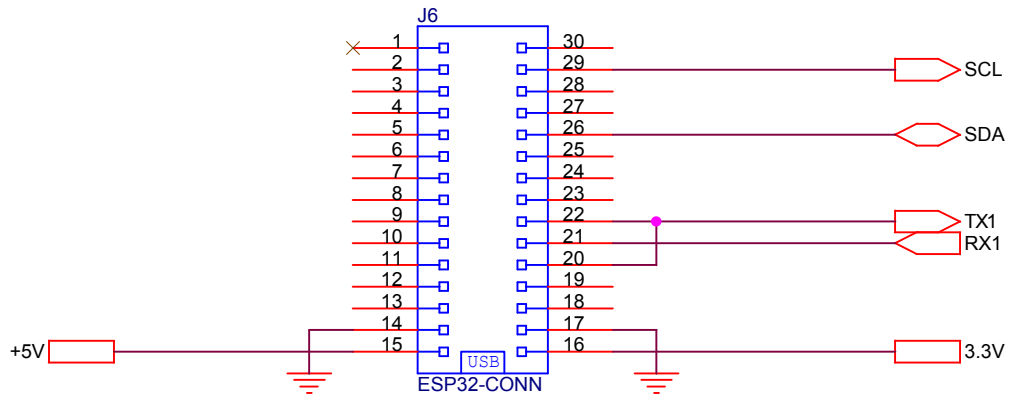


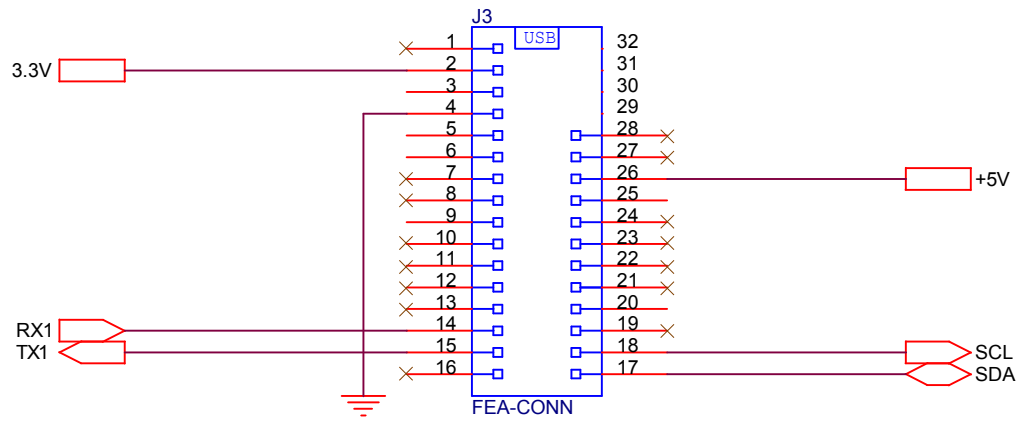
SEQUENTMICROSYSTEMS.COM		
Title S-BRIDGE		
Size A	Document Number BLOCK DIAGRAM	Rev 1.0
Date: Friday, October 09, 2020	Sheet 1	of 7



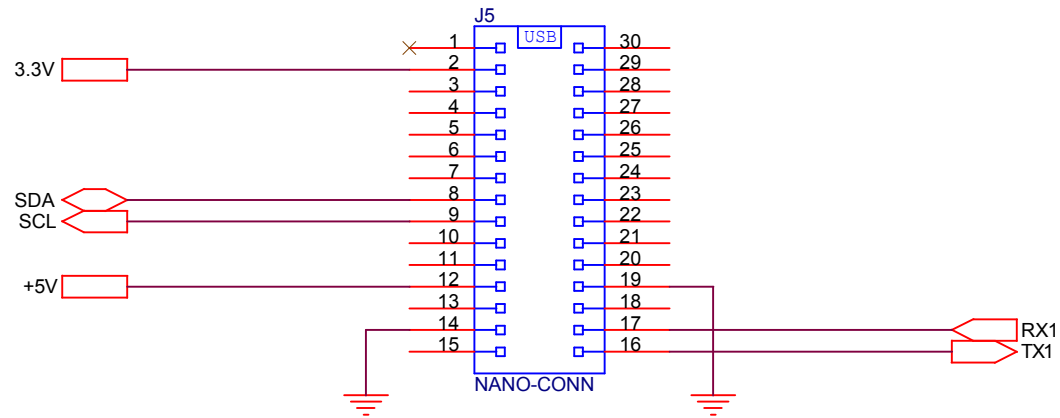
SEQUENTMICROSYSTEMS.COM		
Title		
S-BRIDGE		
Size	Document Number	Rev
A	CONNECTORS	1.0
Date:	Monday, September 07, 2020	Sheet 2 of 7



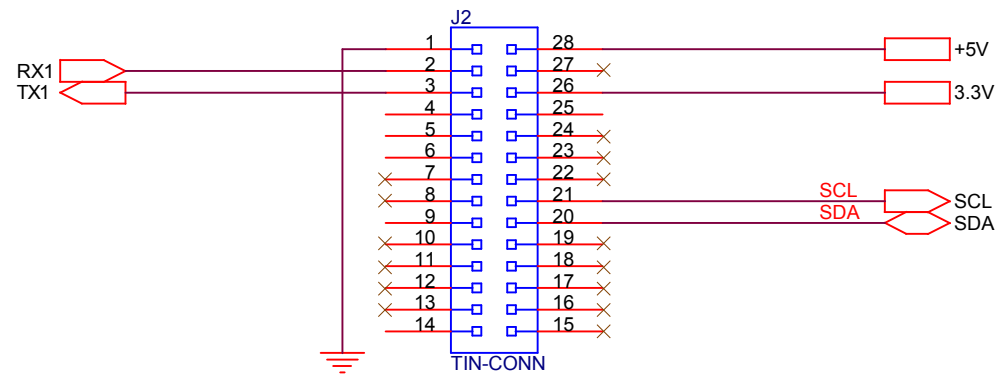
SEQUENTMICROSYSTEMS.COM		
Title		
S-BRIDGE		
Size	Document Number	Rev
A	ESP32	1.0
Date:	Monday, September 07, 2020	Sheet 3 of 7



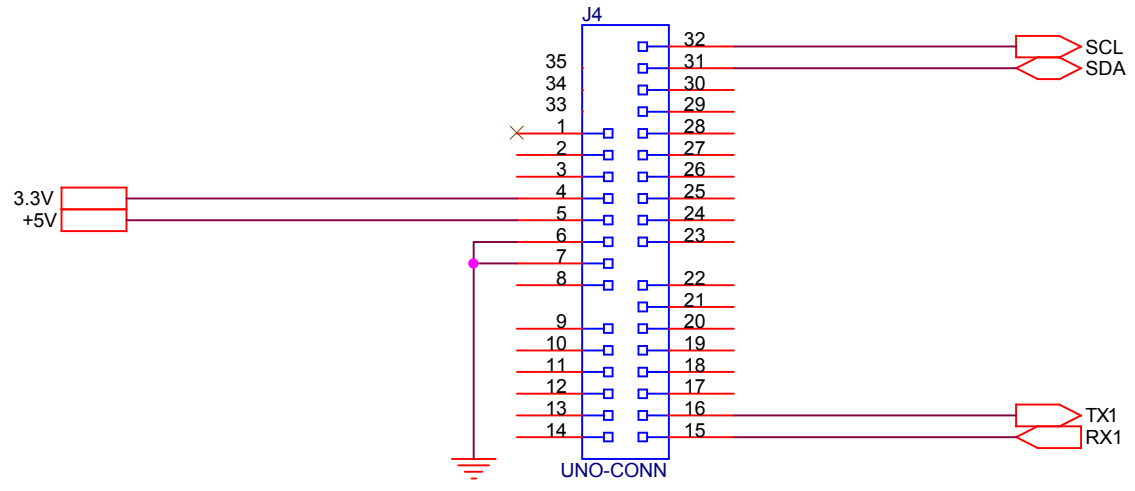
SEQUENTMICROSYSTEMS.COM		
Title		
S-BRIDGE		
Size	Document Number	Rev
A	FEATHER	1.0
Date:	Monday, September 07, 2020	Sheet 4 of 7



SEQUENTMICROSYSTEMS.COM		
Title		
S-BRIDGE		
Size	Document Number	Rev
A	NANO	1.0
Date:	Monday, September 07, 2020	Sheet 5 of 7



SEQUENTMICROSYSTEMS.COM		
Title		
S-BRIDGE		
Size	Document Number	Rev
A	TEENSY	1.0
Date:	Monday, September 07, 2020	Sheet 6 of 7



SEQUENTMICROSYSTEMS.COM		
Title		
S-BRIDGE		
Size	Document Number	Rev
A	UNO	1.0
Date:	Monday, September 07, 2020	Sheet 7 of 7