

SEQUENTMICROSYSTEMS.COM

MULTI-IO-V1_3

SKU : SM-I-021

CONNECTOR

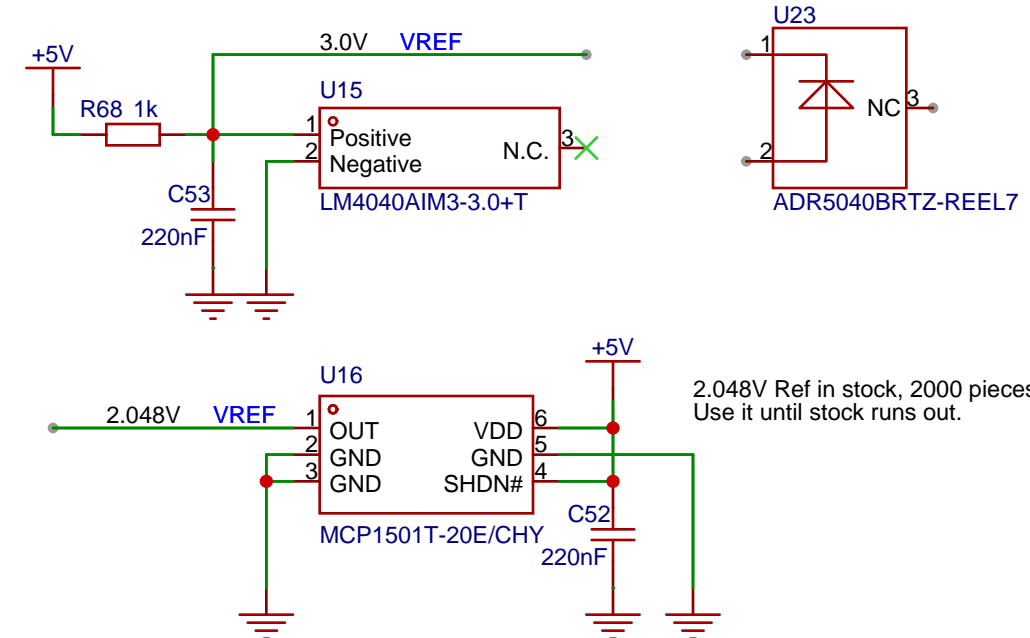
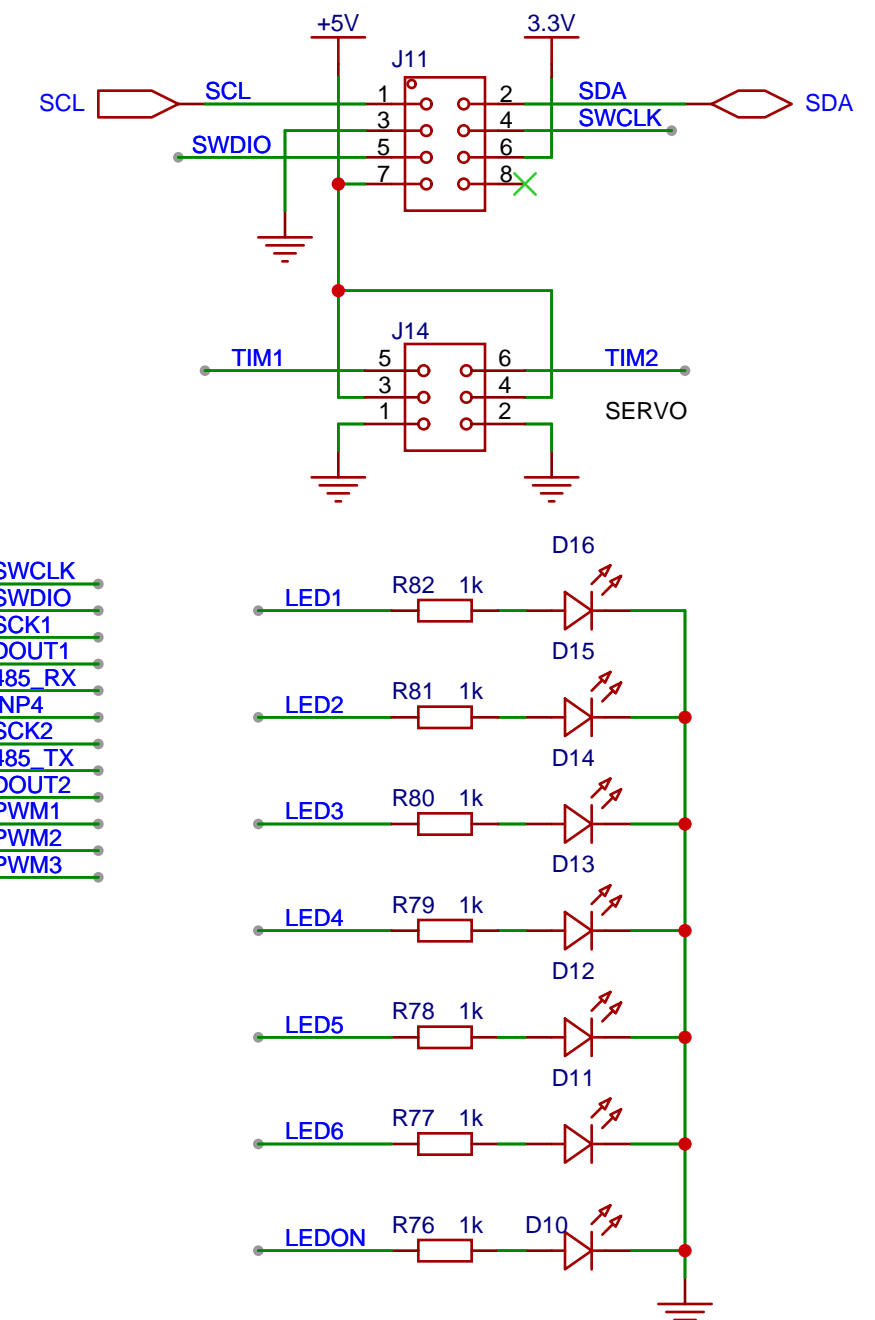
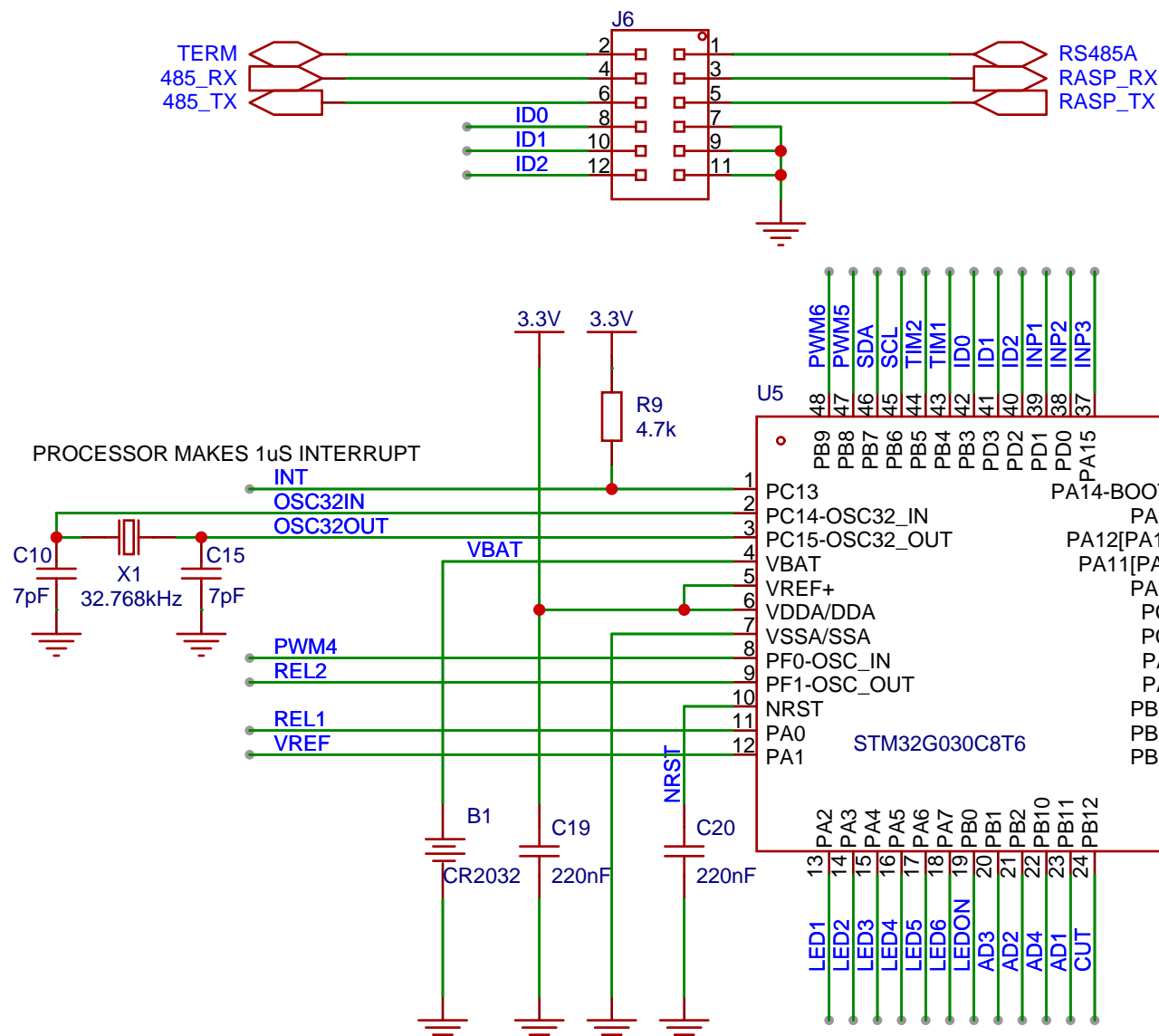
VER : 1.3

Created: 2022-08-02

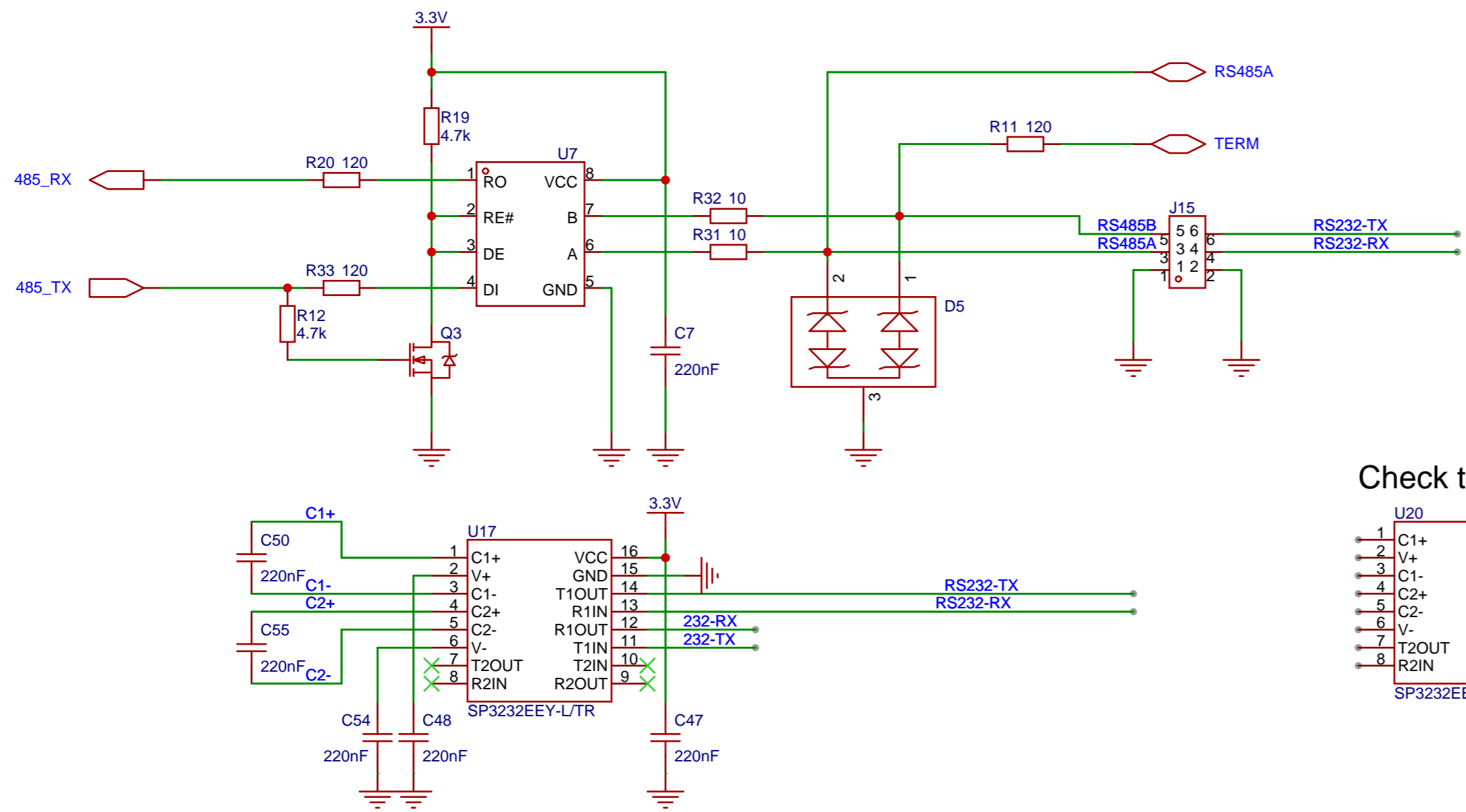
Updated: 2023-10-06

UPC : 4782912926697

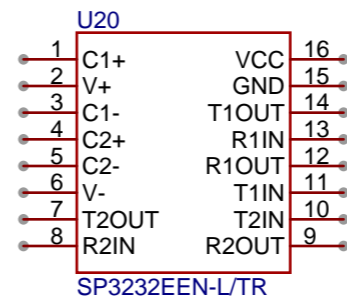
PAGE 1 OF 11



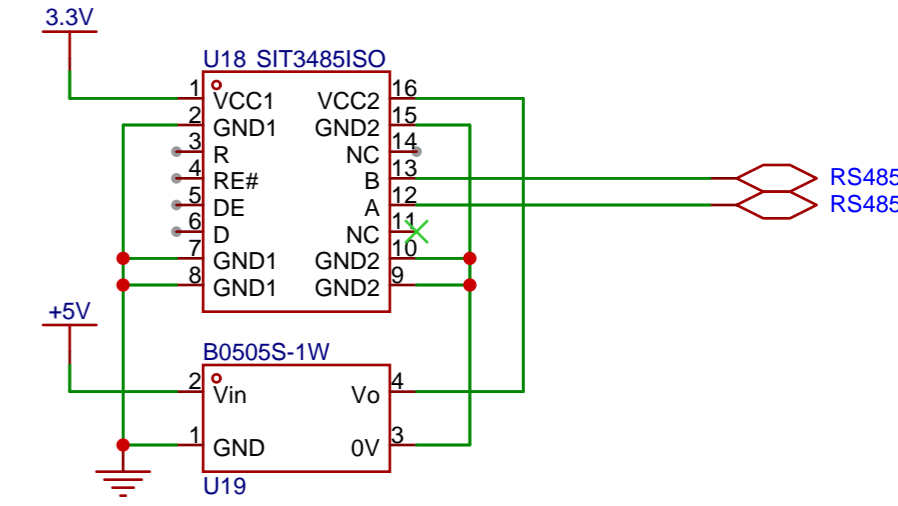
SEQUENTMICROSYSTEMS.COM	
MULTI-IO-V1_3	SKU : SM-I-021
PROCESSOR	VER : 1.3
Created: 2022-08-01	Updated: 2023-10-06
UPC : 4782912926697	PAGE 2 OF 11



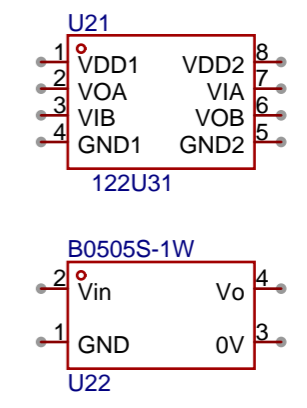
Check this also



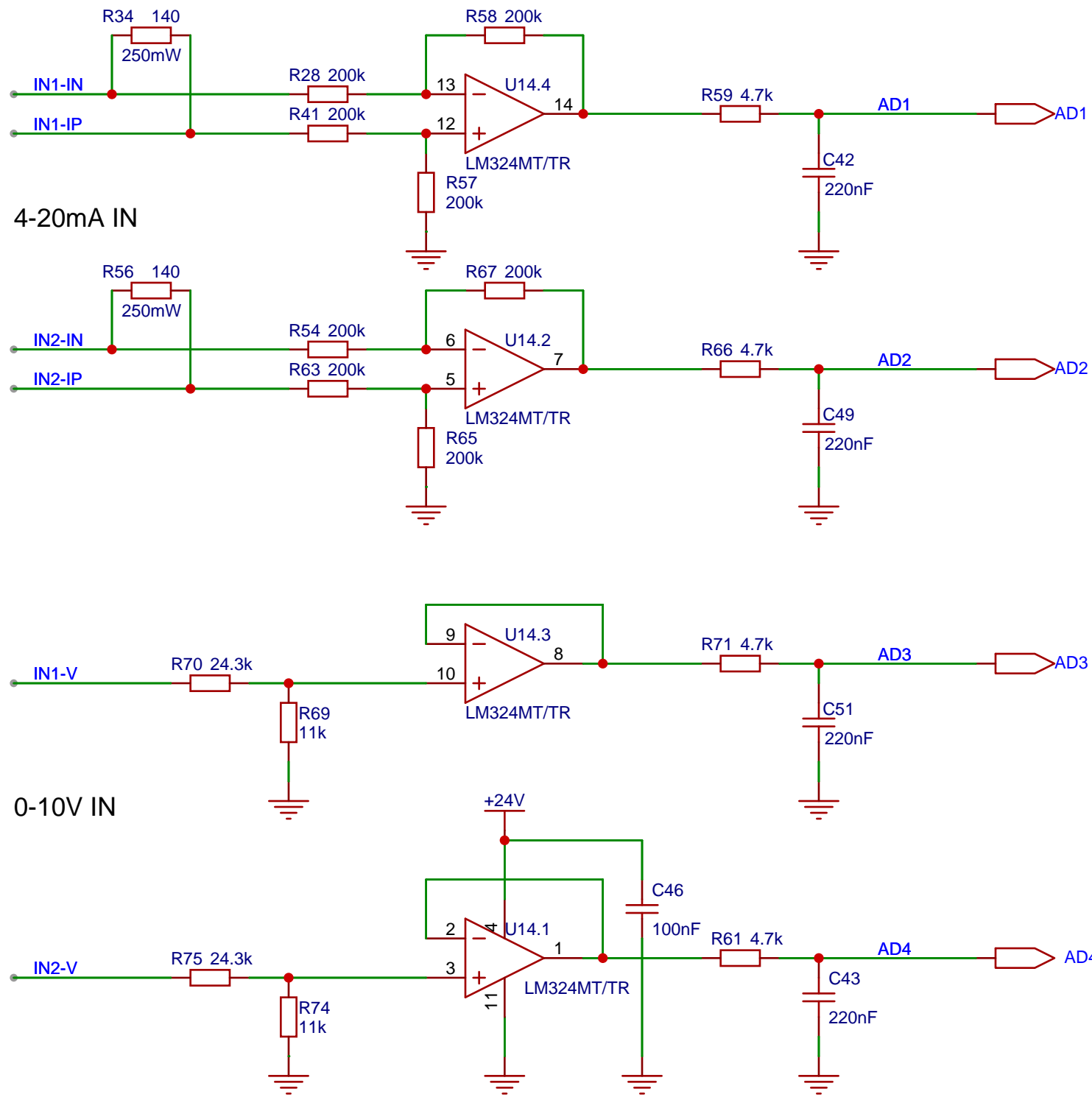
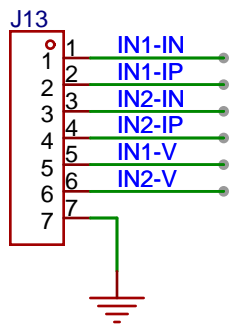
Possible isolated 485



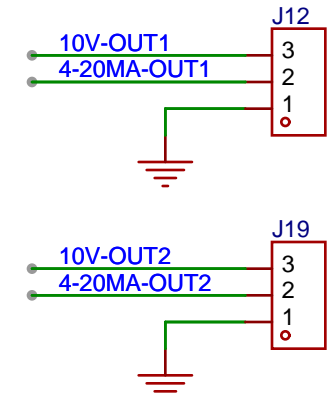
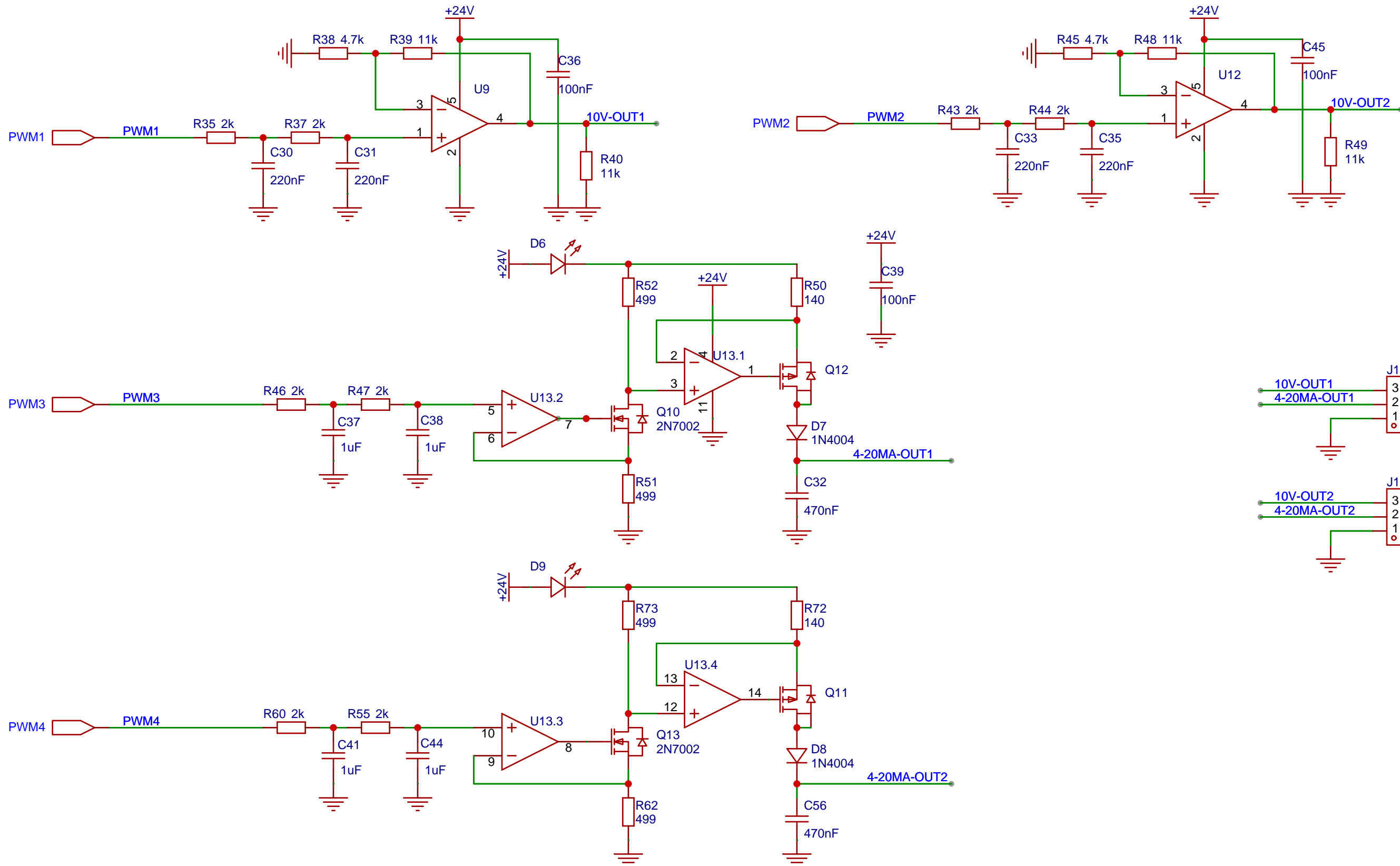
Possible isolated 232



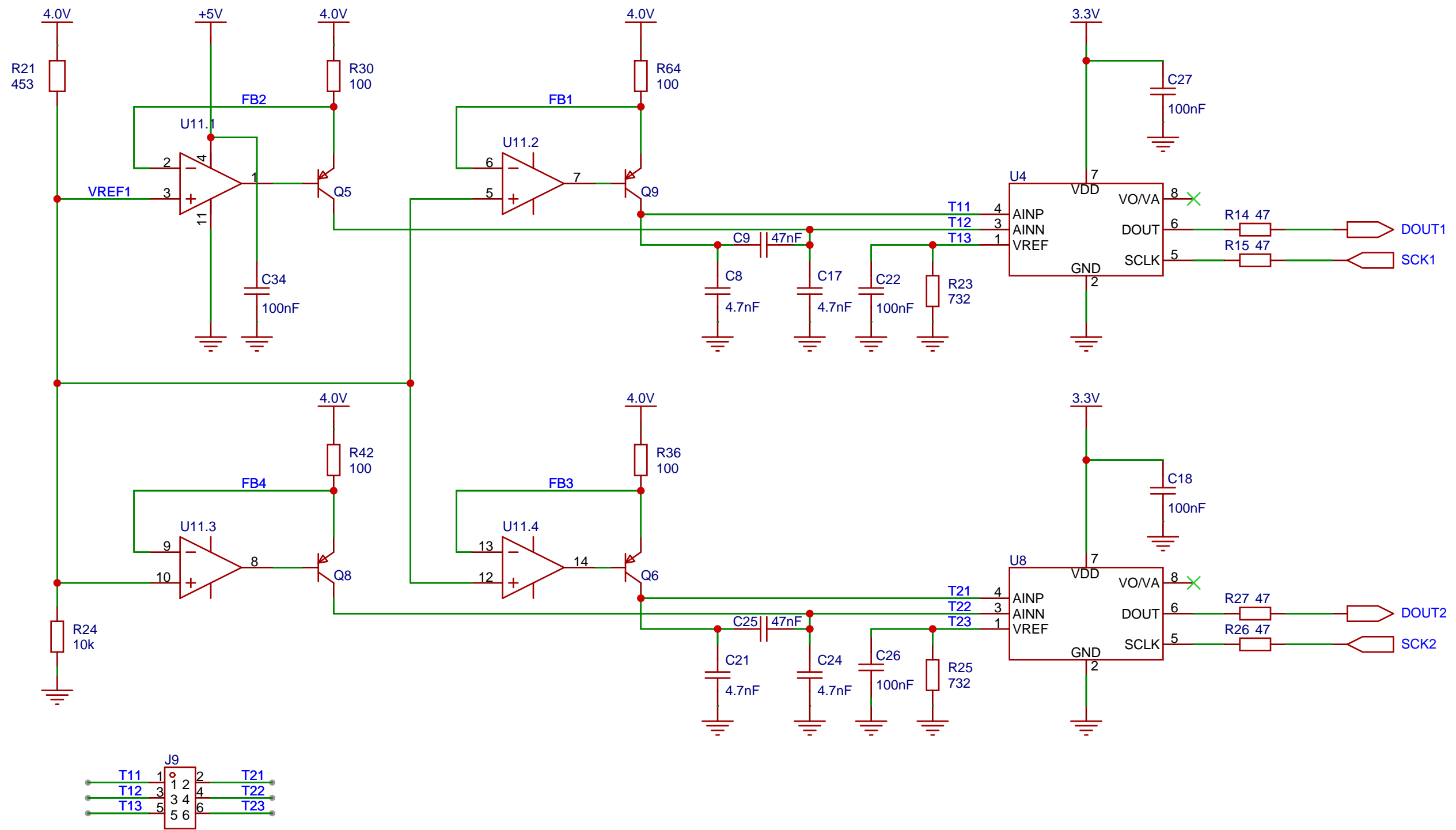
SEQUENTMICROSYSTEMS.COM	
MULTI-IO-V1_3	SKU : SM-I-021
COMMUNICATION	VER : 1.3
Created: 2022-08-23	Updated: 2023-10-06
UPC : 4782912926697	PAGE 3 OF 11



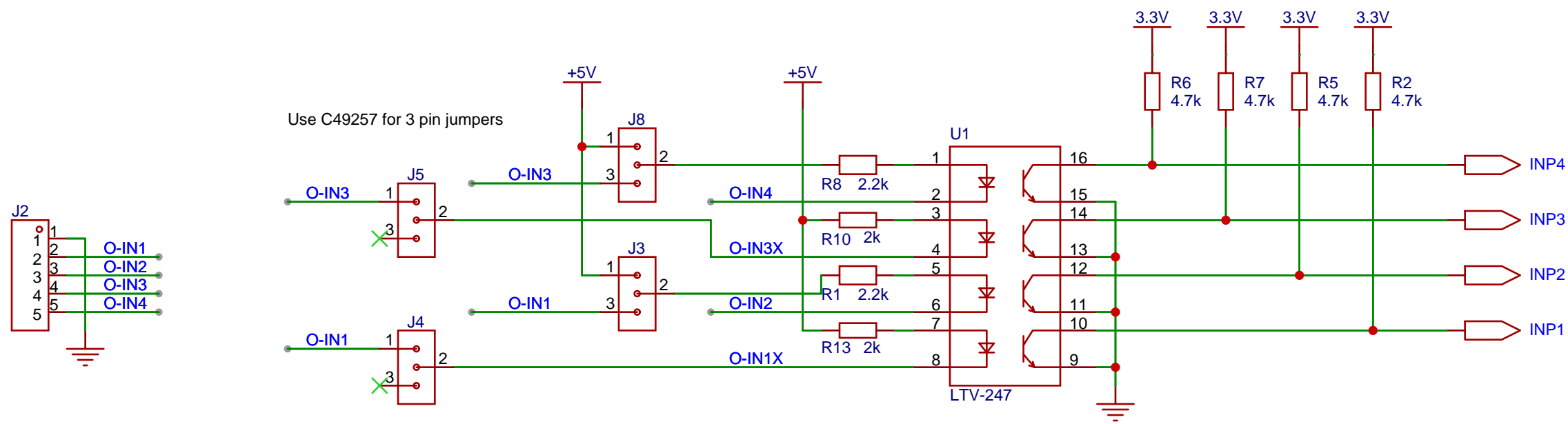
SEQUENTMICROSYSTEMS.COM	
MULTI-IO-V1_3	SKU : SM-I-021
ANALOG INPUTS	VER : 1.3
Created: 2022-08-19	Updated: 2023-10-06
UPC : 4782912926697	PAGE 4 OF 11



SEQUENTMICROSYSTEMS.COM	
MULTI-IO-V1_3	SKU : SM-I-021
ANALOG OUTPUTS	VER : 1.3
Created: 2022-08-17	Updated: 2023-10-06
UPC : 4782912926697	PAGE 5 OF 11



SEQUENTMICROSYSTEMS.COM	
MULTI-IO-V1_3	SKU : SM-I-021
RTD-INPUTS	VER : 1.3
Created: 2023-03-03	Updated: 2023-10-06
UPC : 4782912926697	PAGE 6 OF 11



SEQUENTMICROSYSTEMS.COM

MULTI-IO-V1_3

SKU : SM-I-021

OPTO-INPUTS

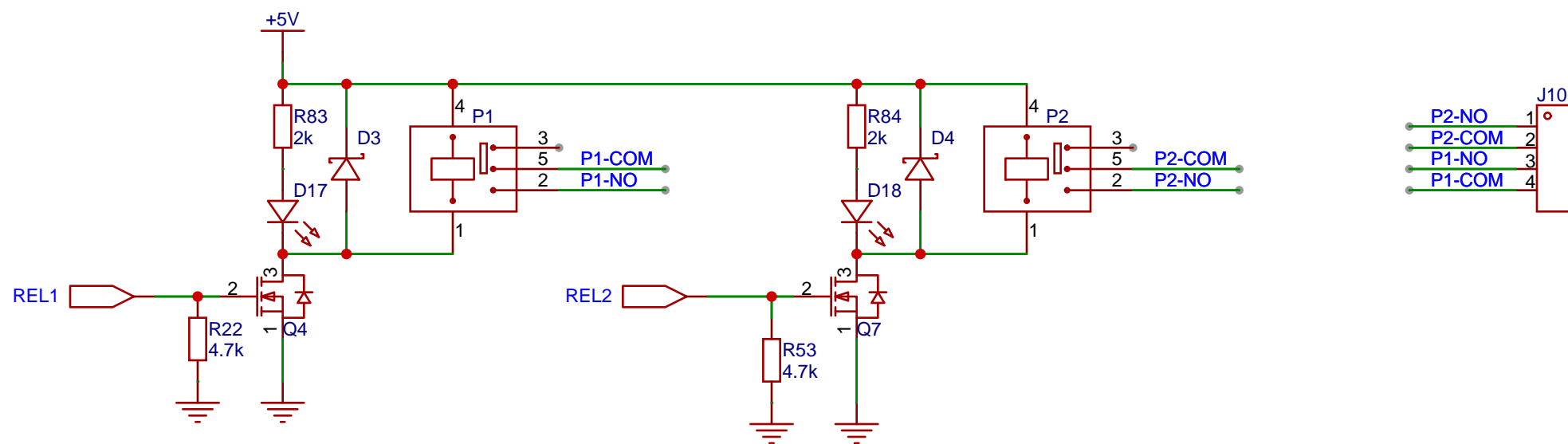
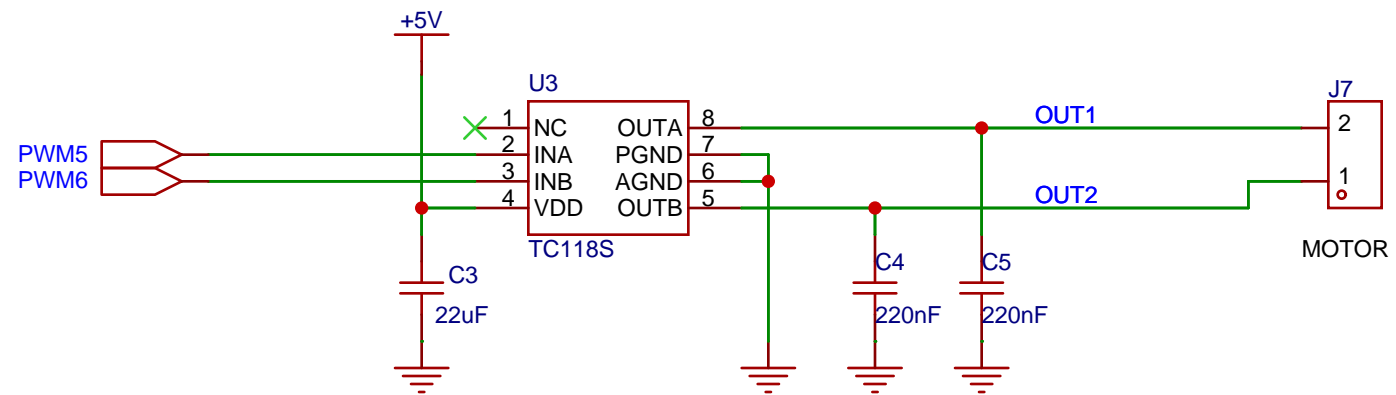
VER : 1.3

Created: 2022-12-29

Updated: 2023-10-06

UPC : 4782912926697

PAGE 7 OF 11



SEQUENTMICROSYSTEMS.COM

MULTI-IO-V1_3

SKU : SM-I-021

RELAYS&MOTOR

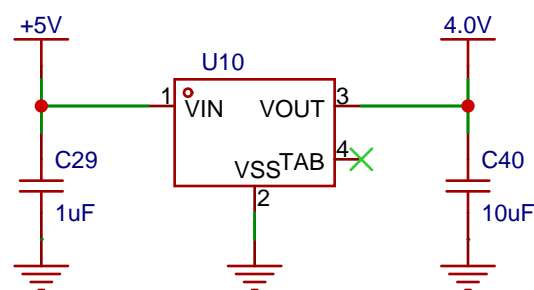
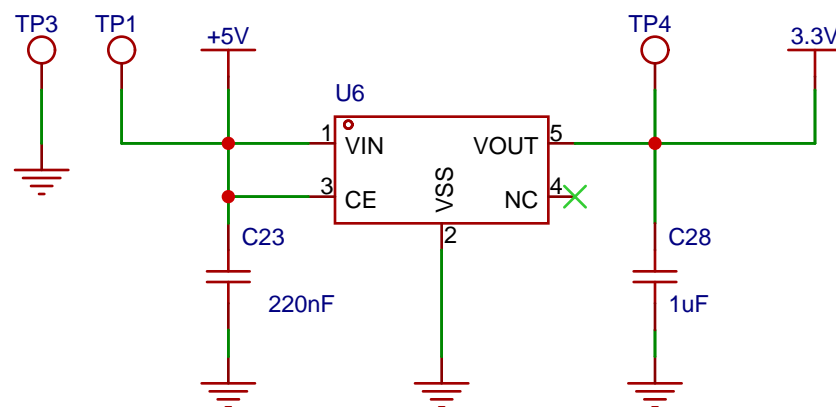
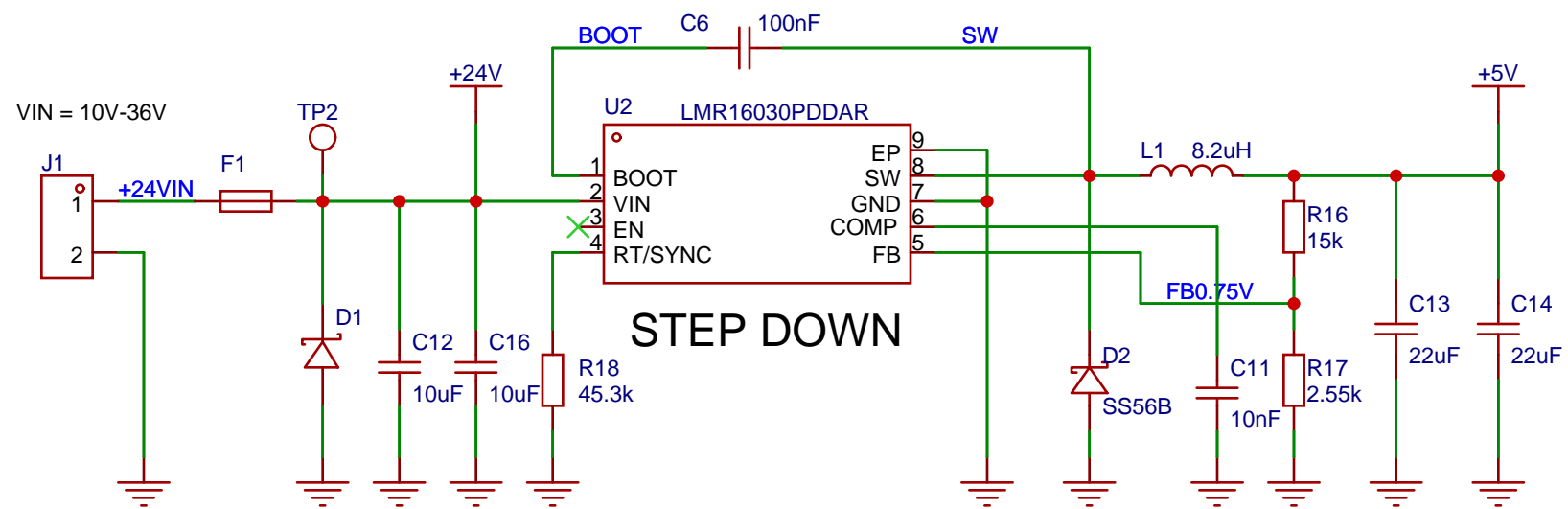
VER : 1.3

Created: 2022-12-29

Updated: 2023-10-06

UPC : 4782912926697

PAGE 8 OF 11



SEQUENTMICROSYSTEMS.COM

MULTI-IO-V1_3

SKU : SM-I-021

POWER SUPPLY

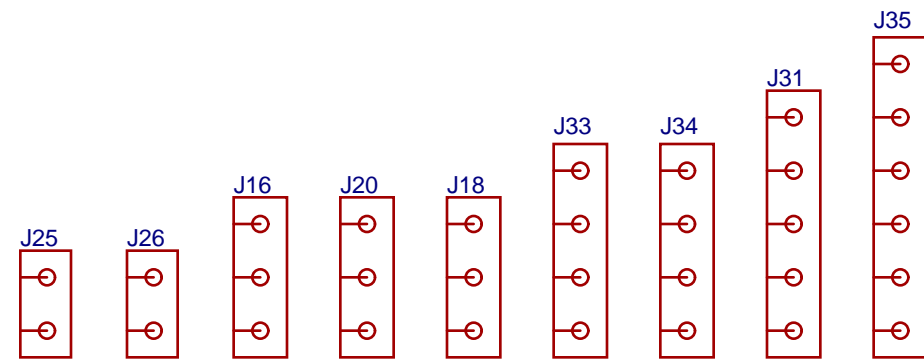
VER : 1.3

Created: 2022-08-01

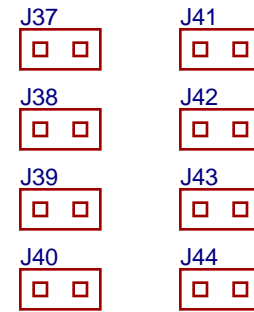
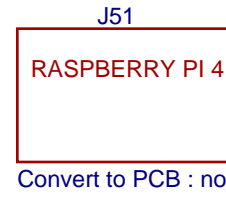
Updated: 2023-10-06

UPC : 4782912926697

PAGE 9 OF 11

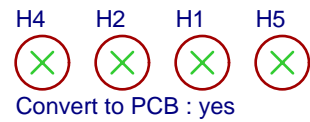


CONNECTOR PLUGS



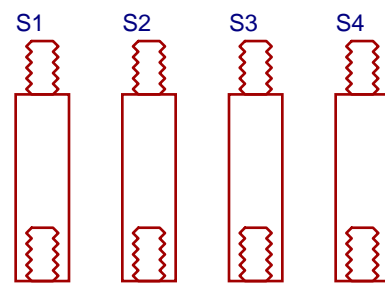
JUMPERS

MOUNTING HOLES

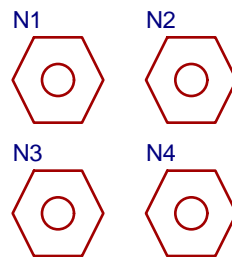


HOLE COORDS
 138,138
 2421,138
 138,2067
 2421,2067

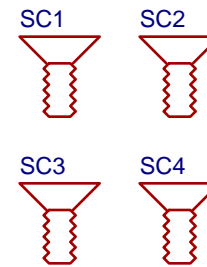
19mm STANDOFFS



2.5MM NUTS



2.5MM X 5MM SCREWS



SEQUENTMICROSYSTEMS.COM

MULTI-IO-V1_3

SKU : SM-I-021

ACCESSORIES

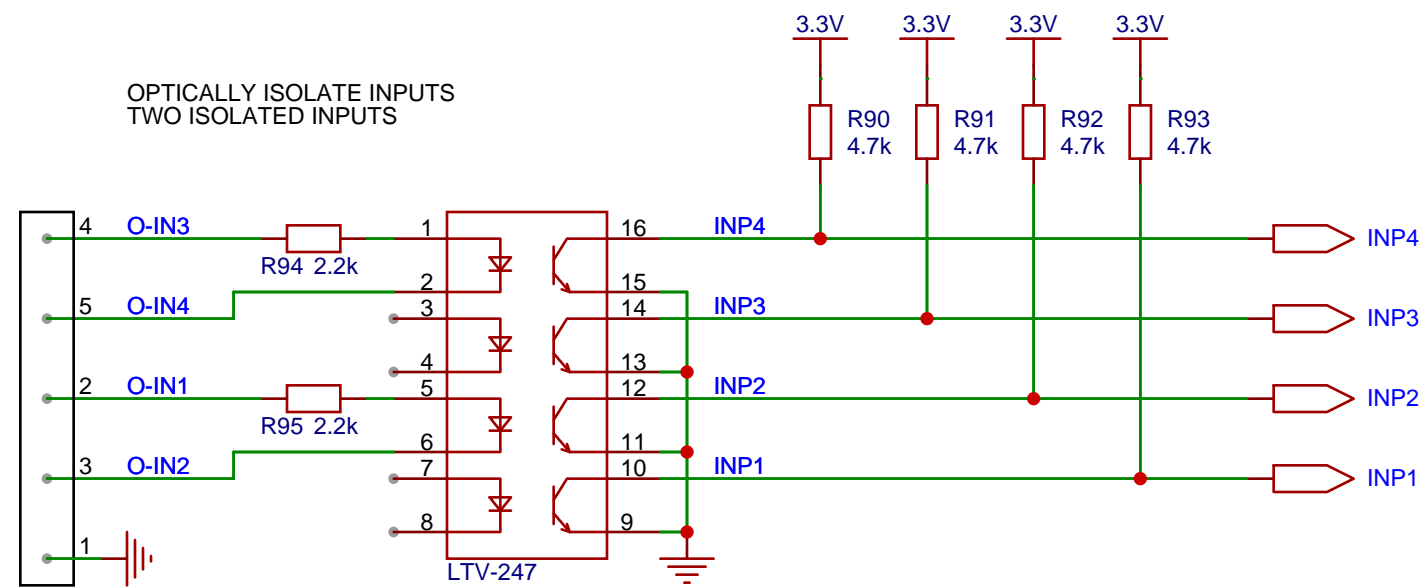
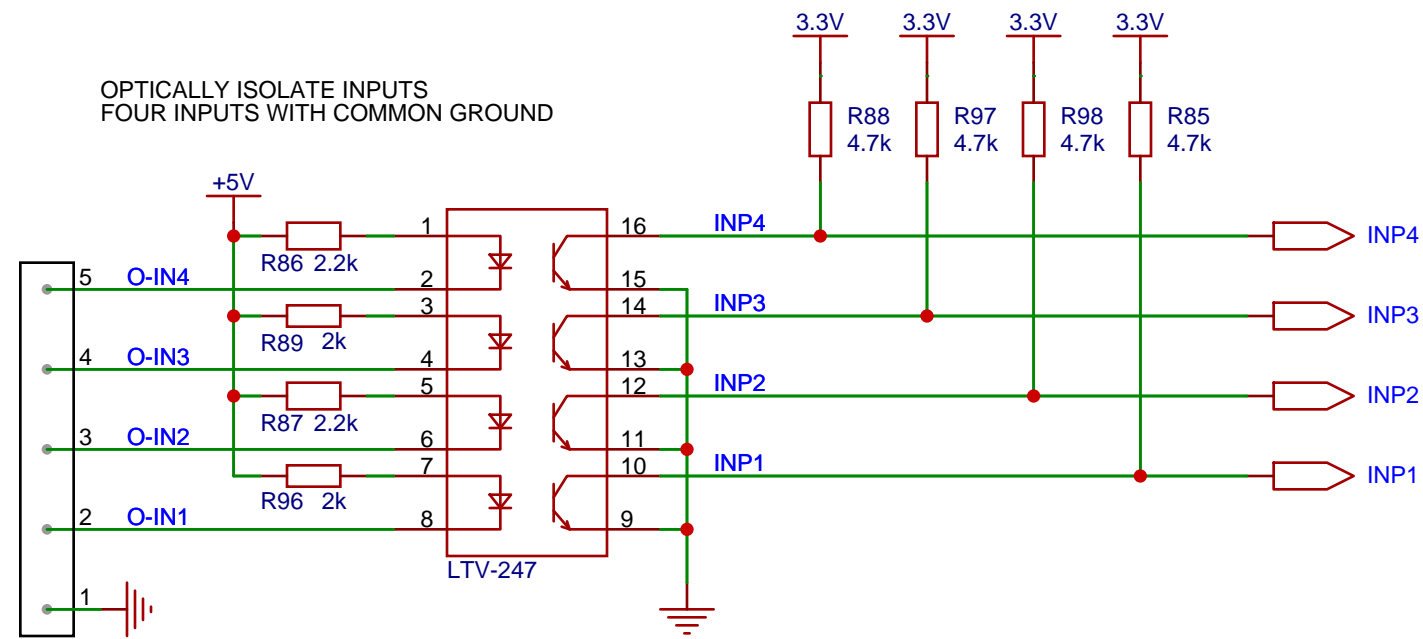
VER : 1.3

Created: 2022-08-04

Updated: 2023-10-06

UPC : 4782912926697

PAGE 10 OF 11



SEQUENTMICROSYSTEMS.COM

MULTI-IO-V1_3

SKU : SM-I-021

INPUTS DOC

VER : 1.3

Created: 2023-04-15

Updated: 2023-10-06

UPC : 4782912926697

PAGE 11 OF 11