

SEQUENTMICROSYSTEMS.COM

HAS-V4_0

SKU : SM-H-001

HAS-V4_0

VER : 4_0

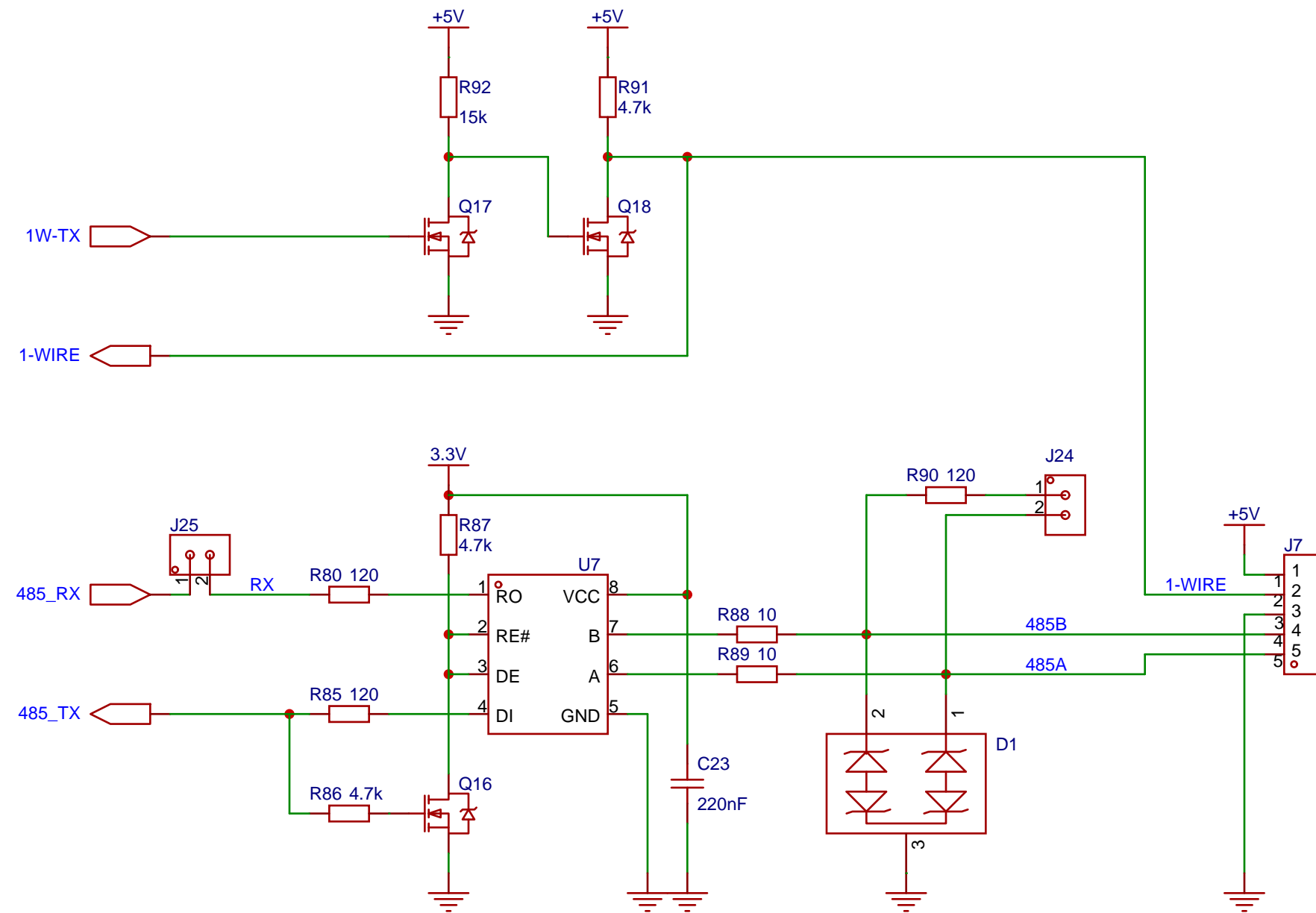
PI CONNECTOR

Created: 2022-08-23

Updated: 2022-12-31

UPC : 4782912926376

PAGE 1 OF 10



SEQUENTMICROSYSTEMS.COM

HAS-V4_0

SKU : SM-H-001

HAS-V4_0

VER : 4_0

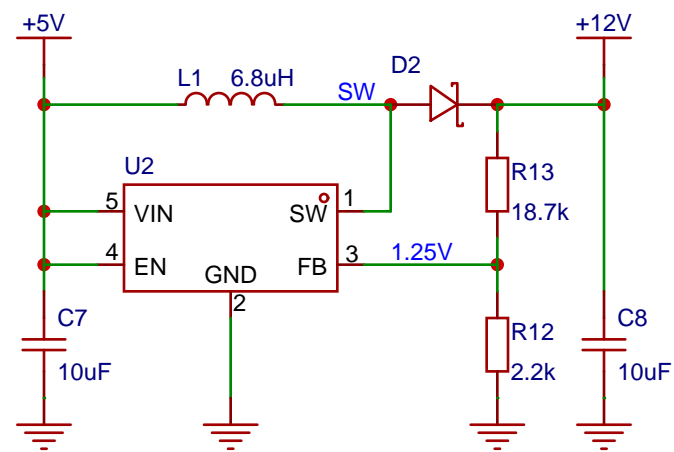
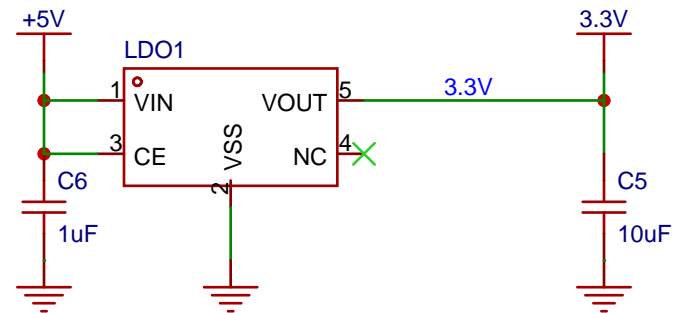
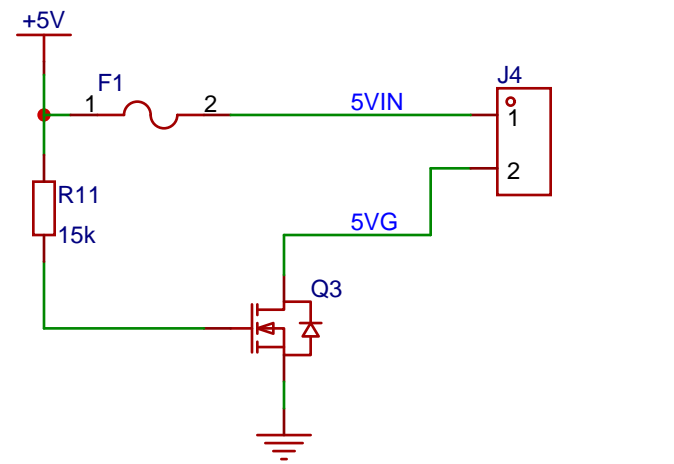
COMMUNICATION

Created: 2022-11-02

Updated: 2022-12-21

UPC : 4782912926376

PAGE 3 OF 10



SEQUENTMICROSYSTEMS.COM

HAS-V4_0

SKU : SM-H-001

HAS-V4_0

VER : 4_0

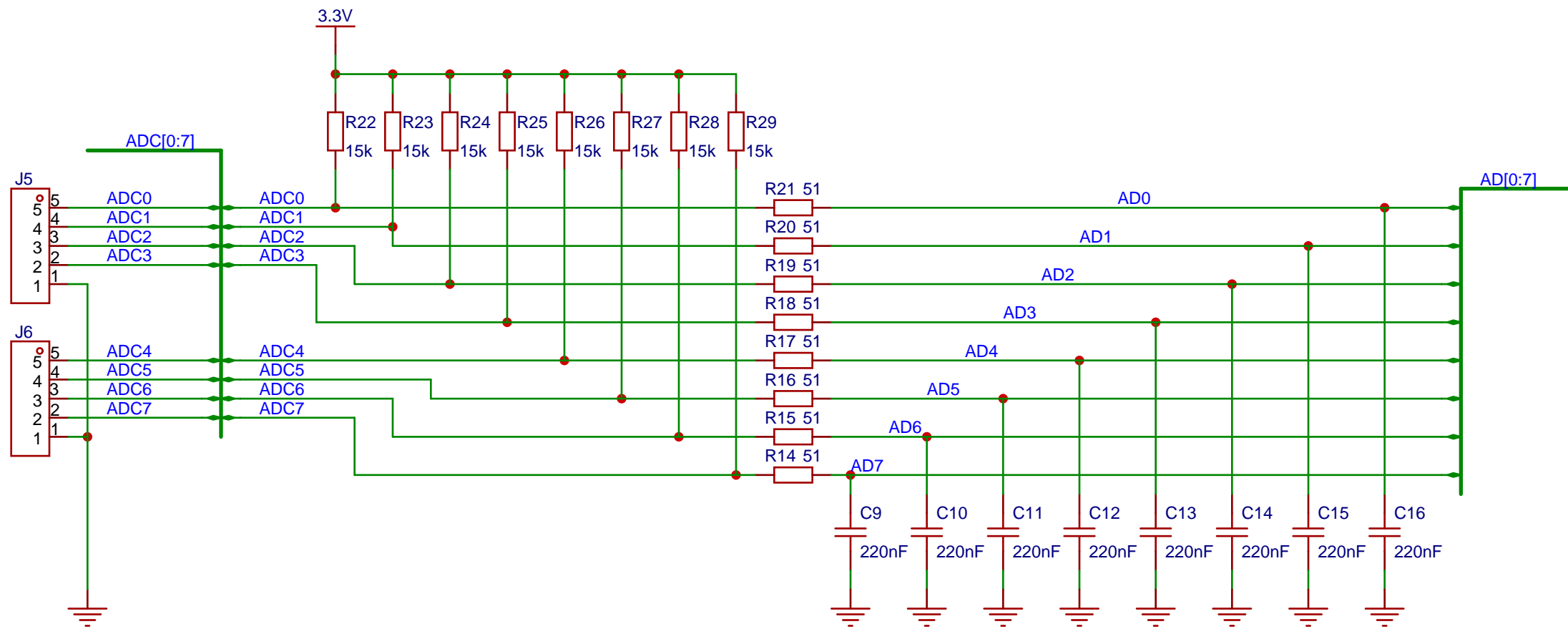
POWER SUPPLY

Created: 2022-08-17

Updated: 2022-12-21

UPC : 4782912926376

PAGE 4 OF 10



SEQUENTMICROSYSTEMS.COM

HAS-V4_0

SKU : SM-H-001

HAS-V4_0

VER : 4_0

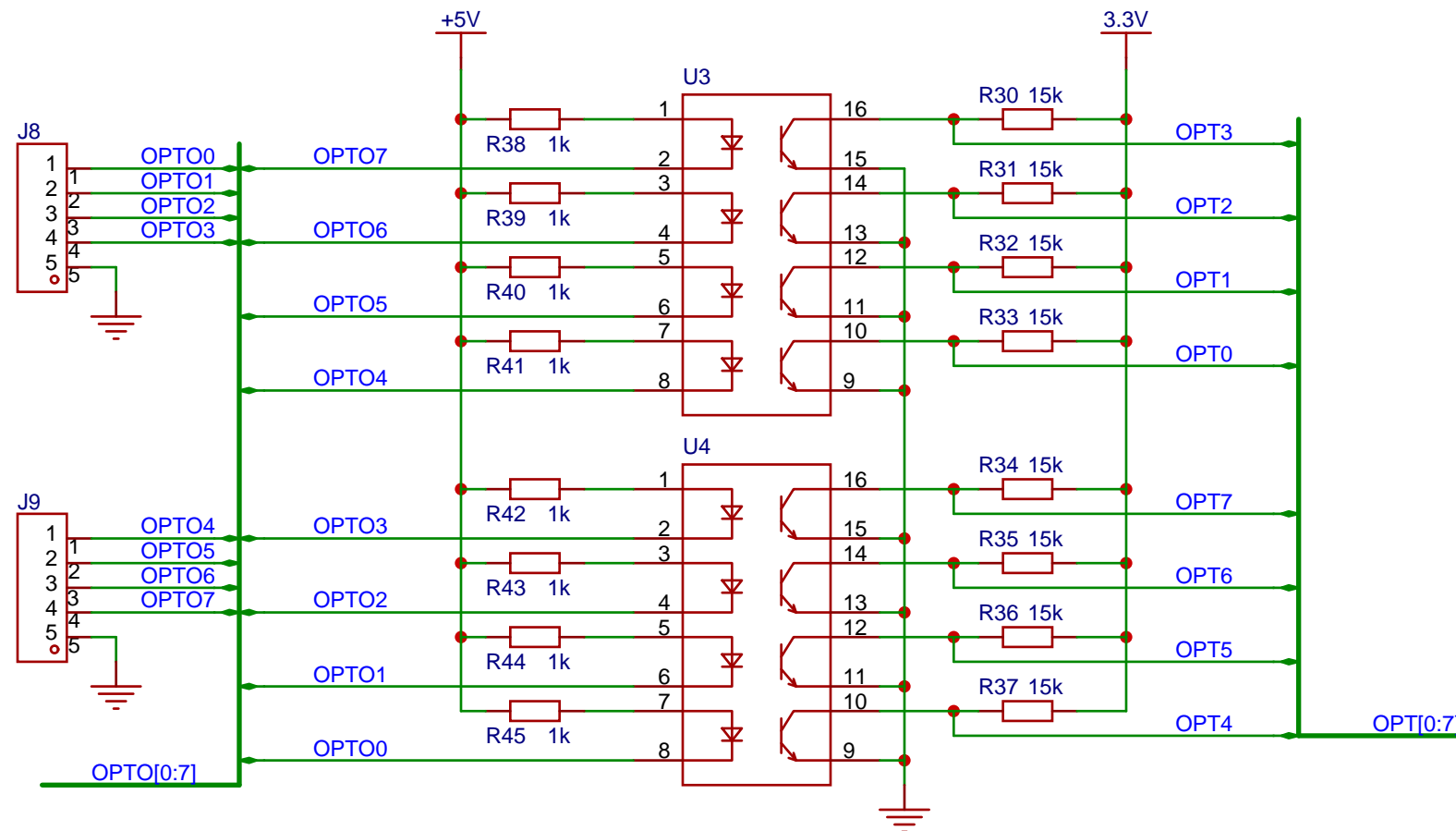
ADC INPUTS

Created: 2022-08-25

Updated: 2022-12-21

UPC : 4782912926376

PAGE 5 OF 10



SEQUENTMICROSYSTEMS.COM

HAS-V4_0

SKU : SM-H-001

HAS-V4_0

VER : 4_0

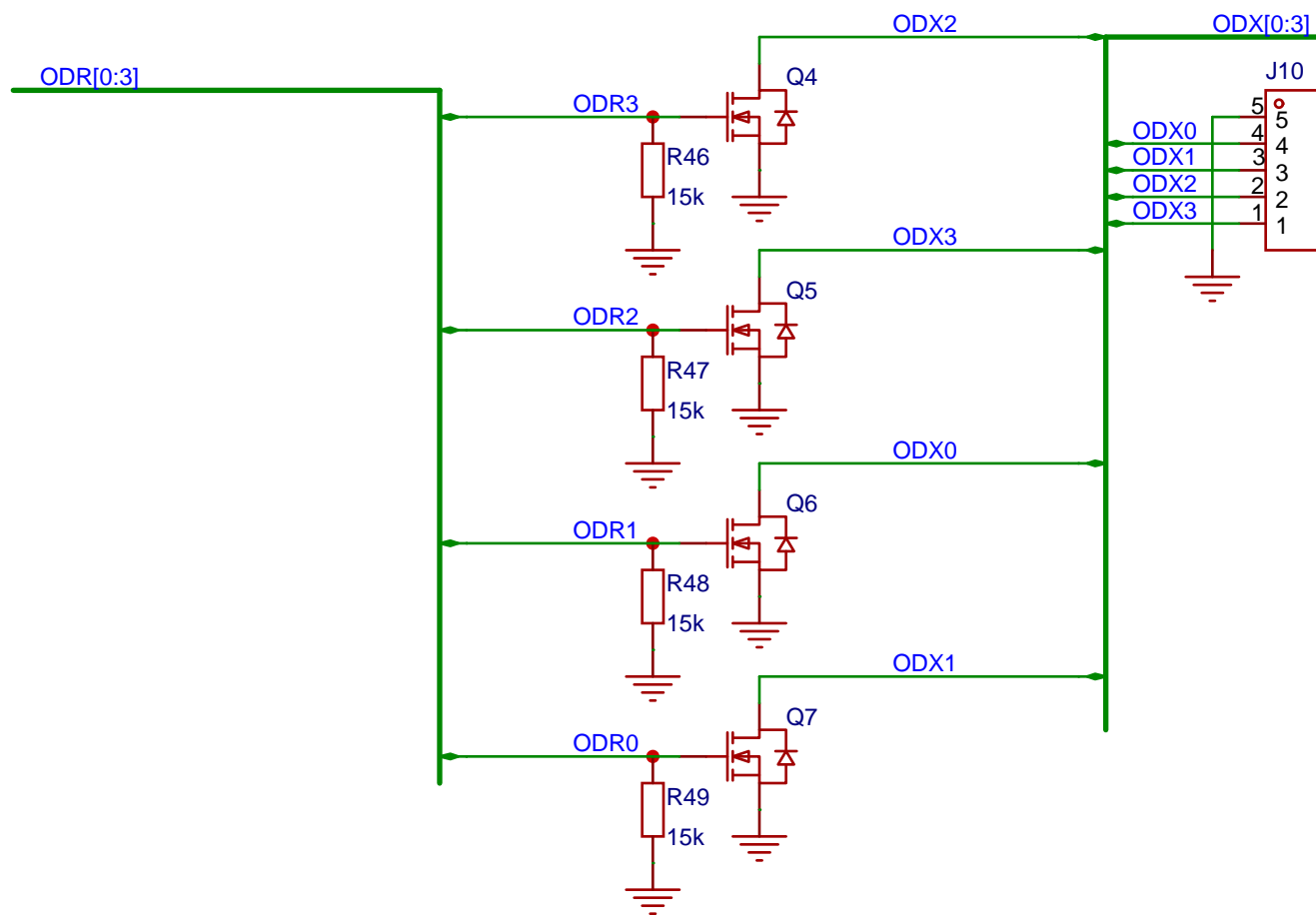
OPTO- INPUTS

Created: 2022-08-17

Updated: 2022-12-21

UPC : 4782912926376

PAGE 6 OF 10



SEQUENTMICROSYSTEMS.COM

HAS-V4_0

SKU : SM-H-001

HAS-V4_0

VER : 4_0

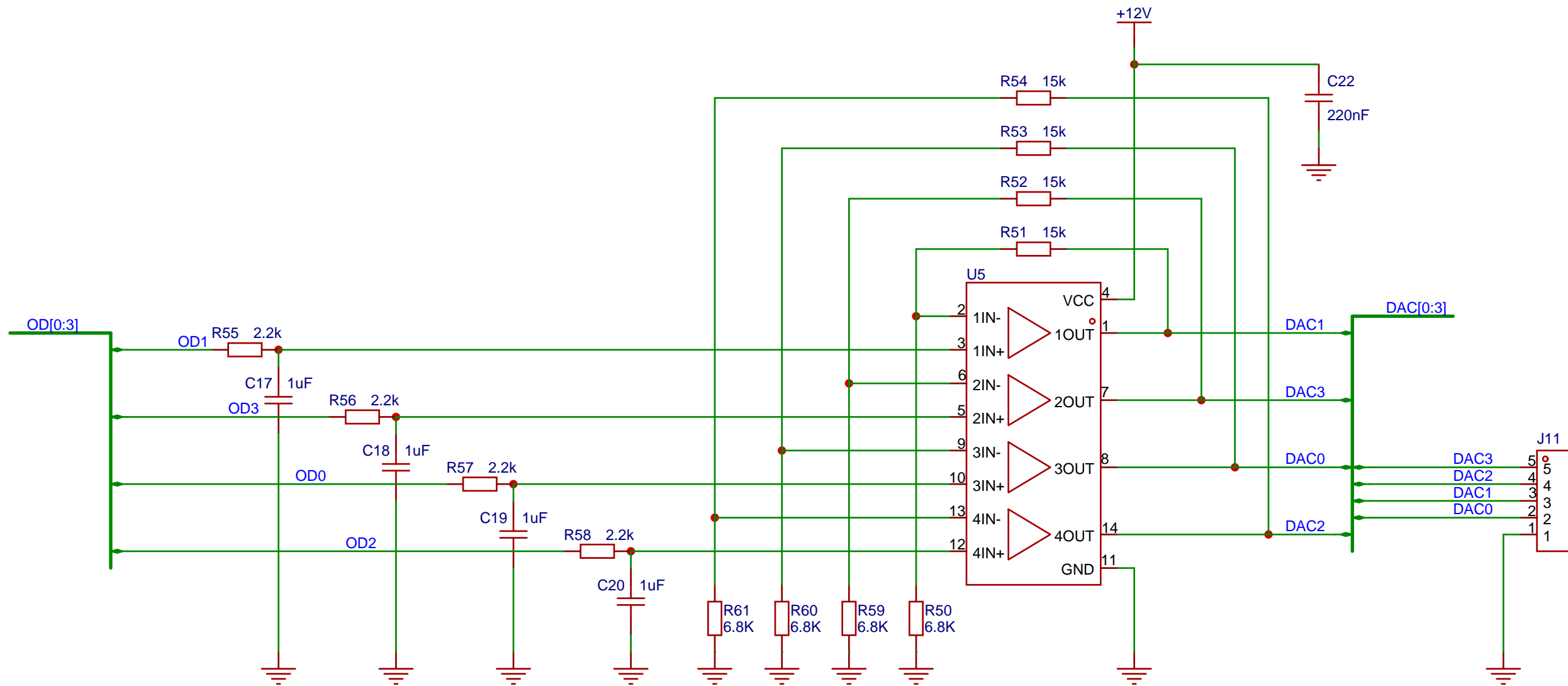
OD OUTPUTS

Created: 2022-08-25

Updated: 2022-12-21

UPC : 4782912926376

PAGE 7 OF 10



SEQUENTMICROSYSTEMS.COM

HAS-V4_0

SKU : SM-H-001

HAS-V4_0

VER : 4_0

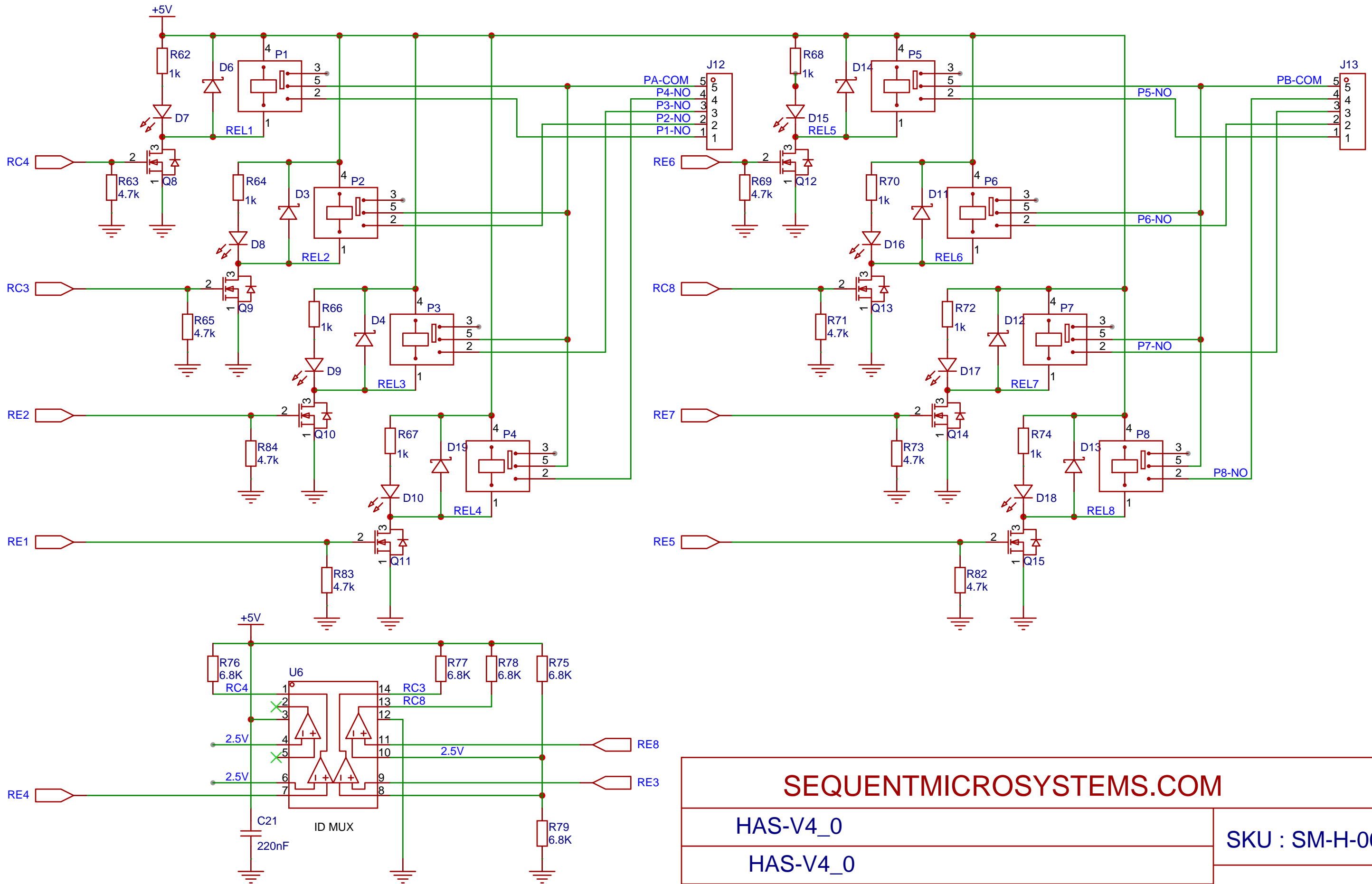
DAC OUTPUTS

Created: 2022-08-25

Updated: 2022-12-21

UPC : 4782912926376

PAGE 8 OF 10



SEQUENTMICROSYSTEMS.COM

HAS-V4_0

SKU : SM-H-001

HAS-V4_0

VER : 4_0

RELAYS

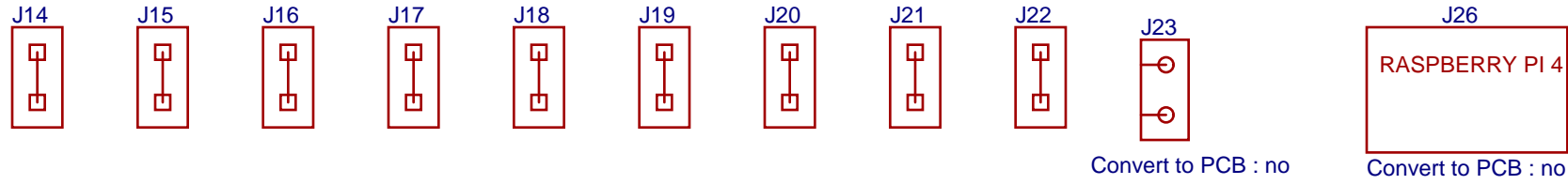
Created: 2022-08-25

Updated: 2022-12-21

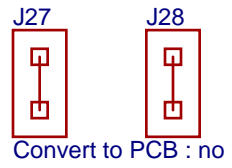
UPC : 4782912926376

PAGE 9 OF 10

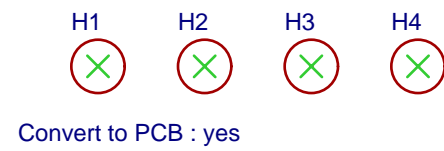
CONNECTOR PLUGS



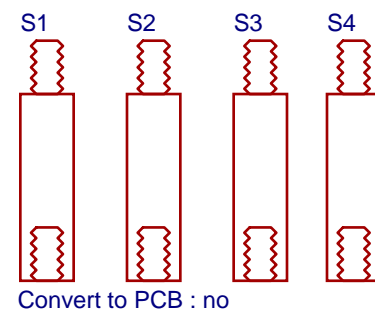
JUMPERS



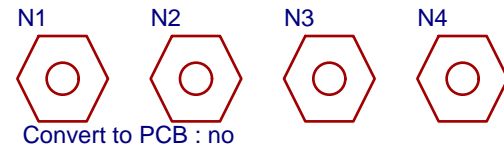
MOUNTING HOLES



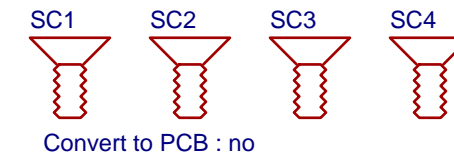
19mm STANDOFFS



2.5MM NUTS



2.5MM X 5MM SCREWS



SEQUENTMICROSYSTEMS.COM

HAS-V4_0

SKU : SM-H-001

HAS-V4_0

VER : 4_0

ACCESSORIES

Created: 2022-08-12

Updated: 2023-01-04

UPC : 4782912926376

PAGE 10 OF 10