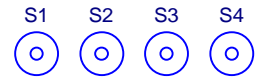
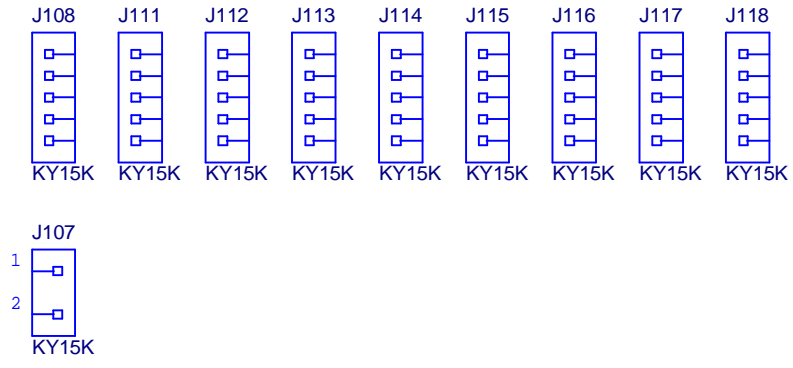


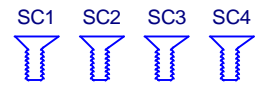
CONNECTOR PLUGS



19mm STANDOFFS

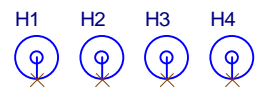


2.5mm NUTS



M2.5x5mm SCREWS

MOUNTING HOLES



ID Jumpers



PLASTIC BAG
5cm X 10cm

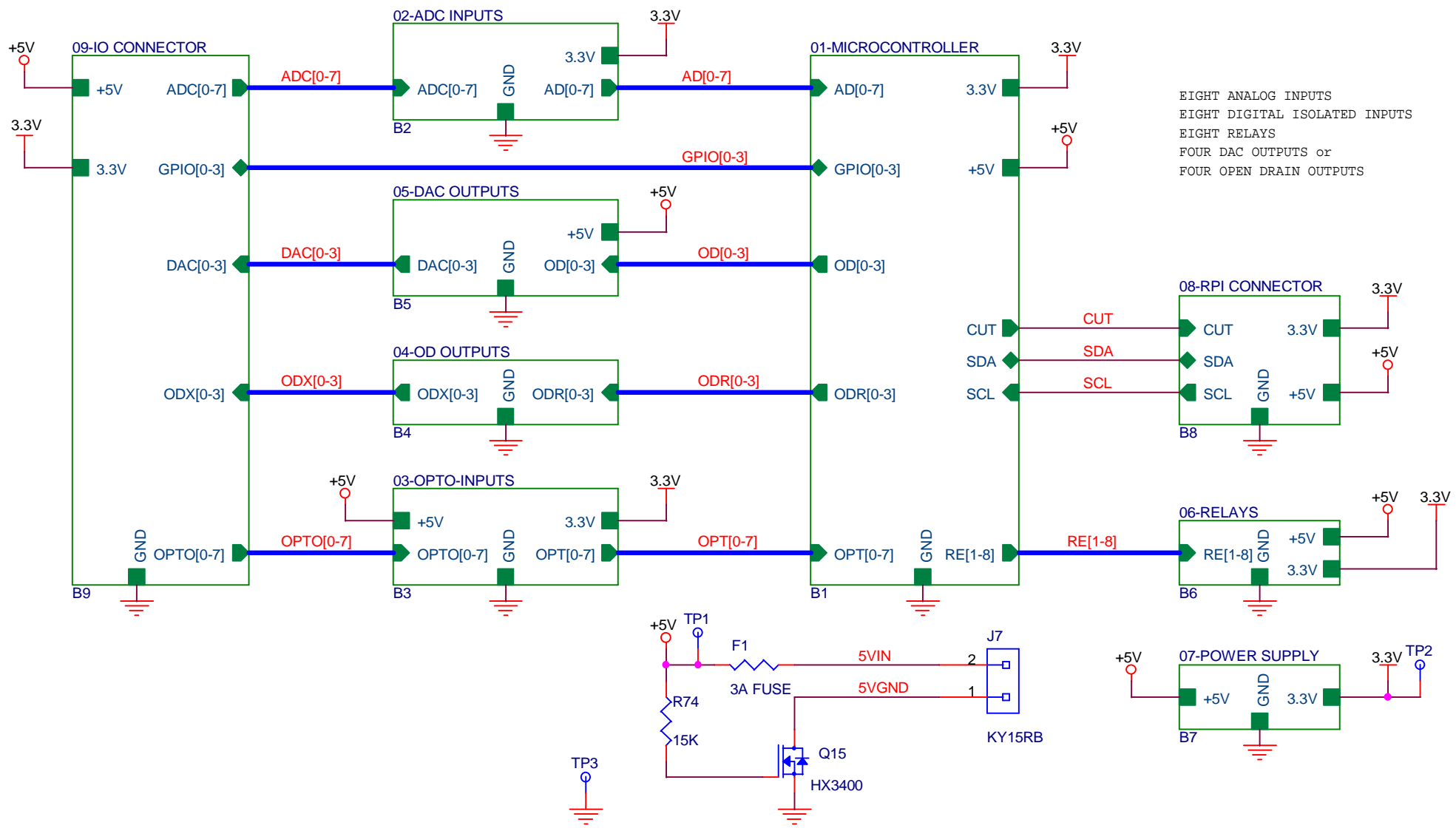


CARDBOARD
BOX



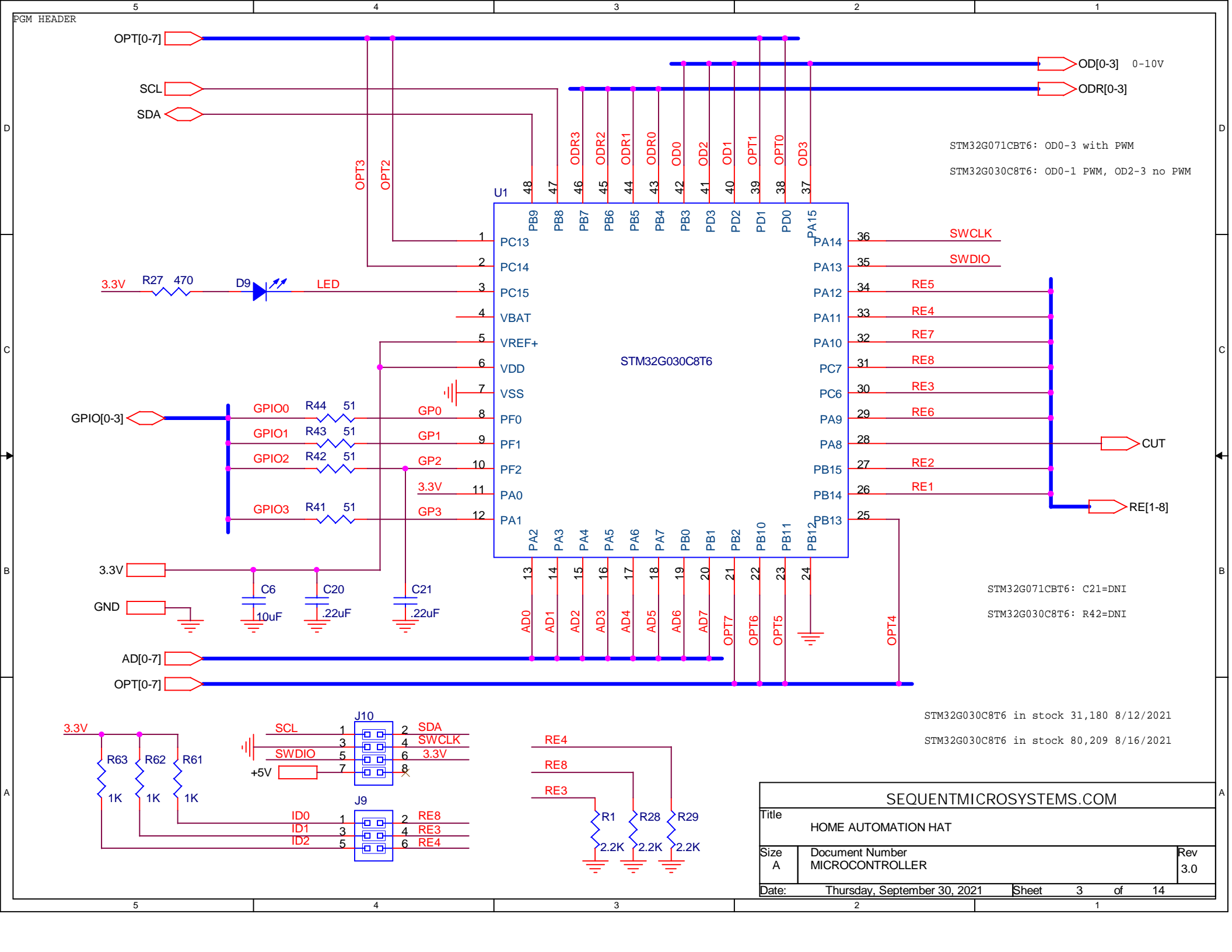
PLASTIC
CARD

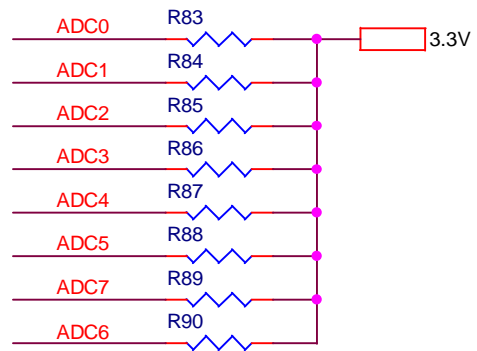
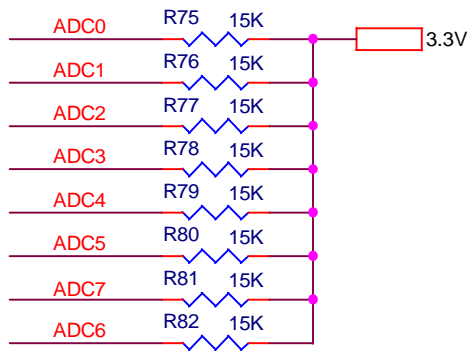
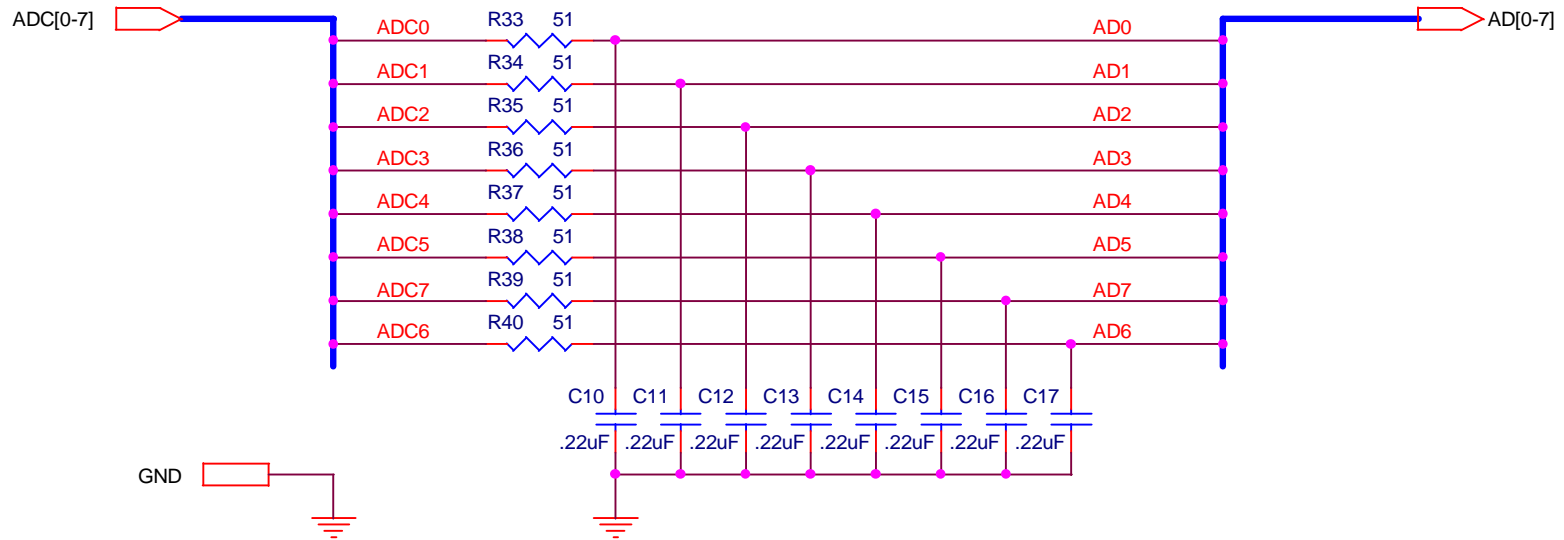
SEQUENTMICROSYSTEMS.COM		
Title HOME AUTOMATION HAT		
Size A	Document Number ACCESSORIES	Rev 3.0
Date:	Thursday, September 30, 2021	Sheet 1 of 14



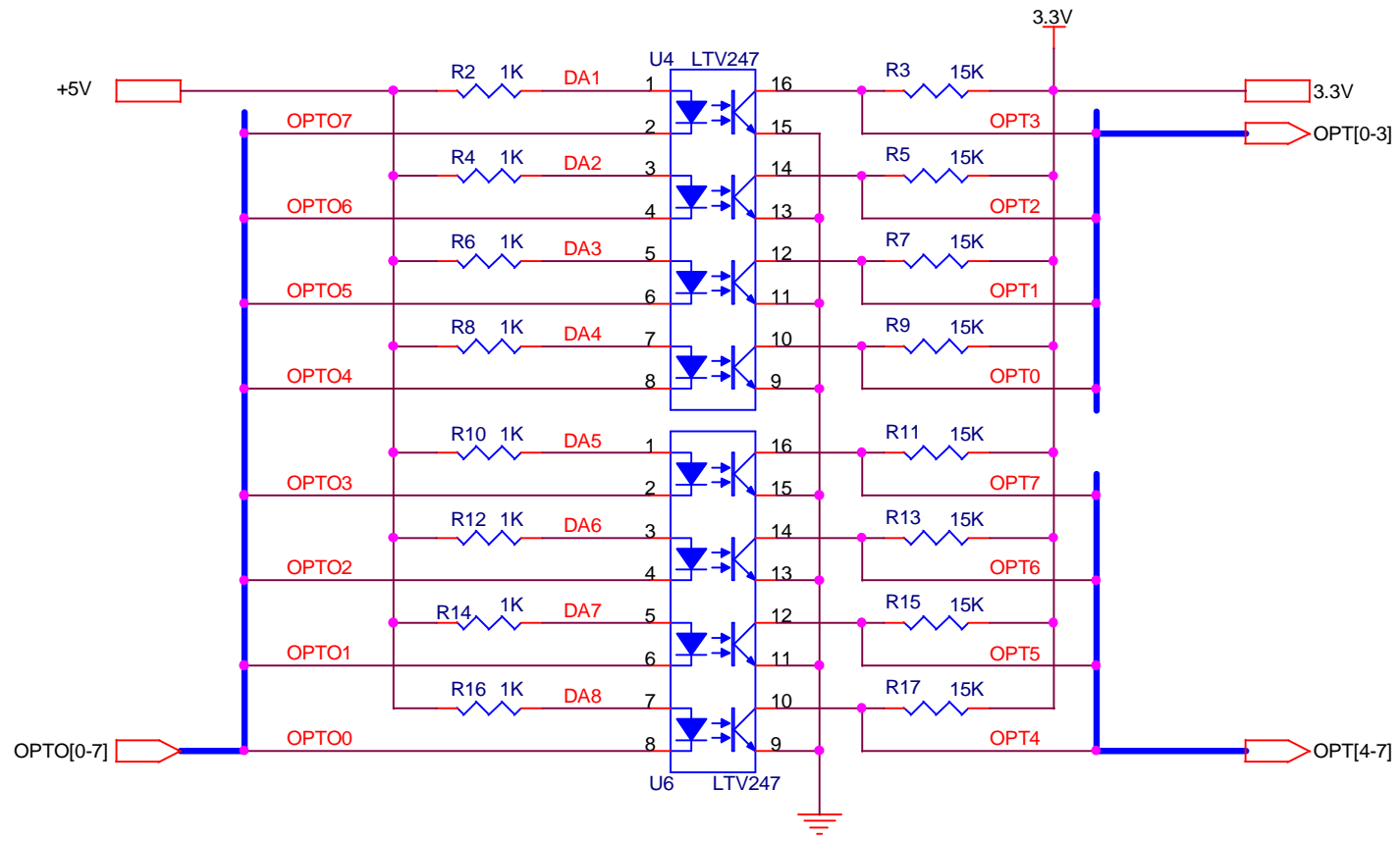
EIGHT ANALOG INPUTS
 EIGHT DIGITAL ISOLATED INPUTS
 EIGHT RELAYS
 FOUR DAC OUTPUTS or
 FOUR OPEN DRAIN OUTPUTS

SEQUENTMICROSYSTEMS.COM		
Title HOME AUTOMATION HAT		
Size A	Document Number BLOCK DIAGRAM	Rev 3.0
Date:	Thursday, September 30, 2021	Sheet 2 of 14

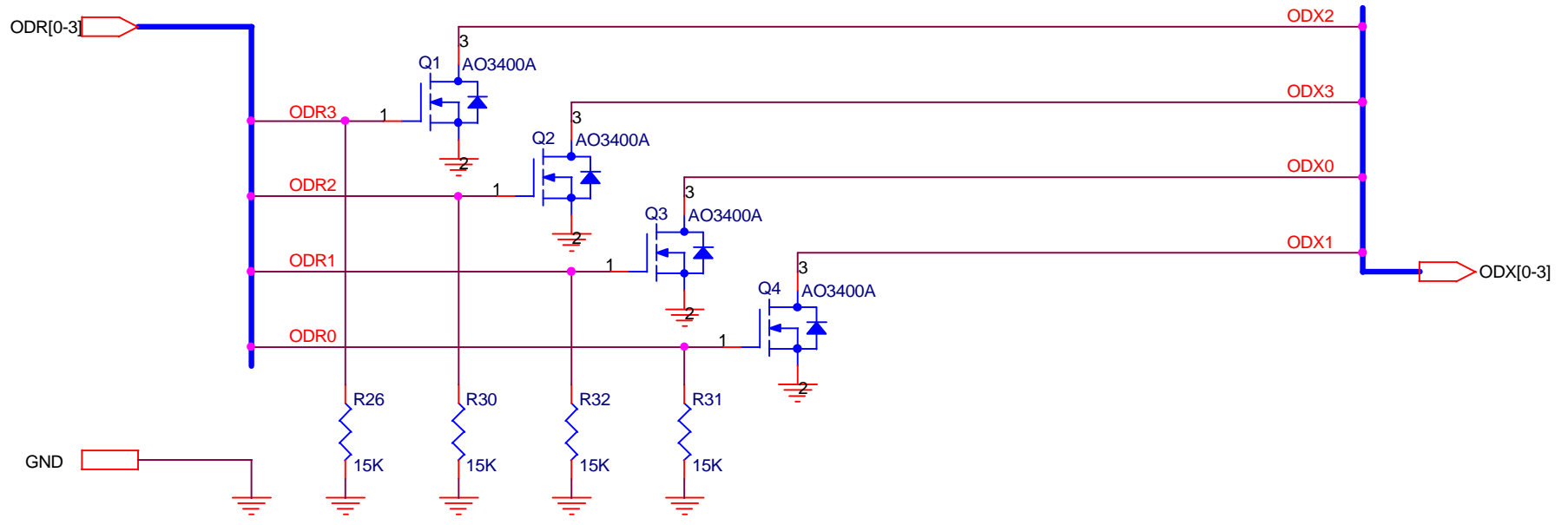




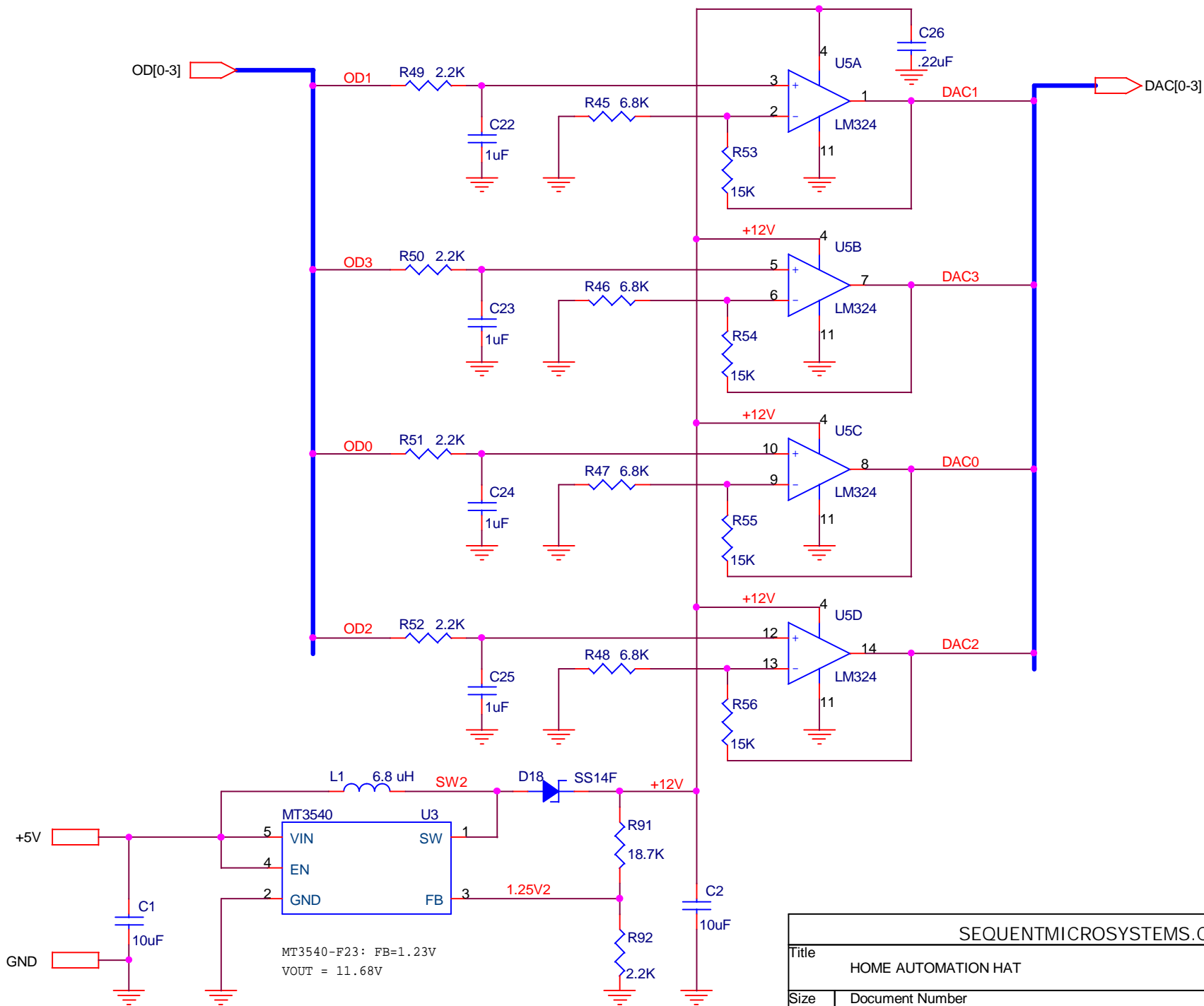
SEQUENTMICROSYSTEMS.COM		
Title HOME AUTOMATION HAT		
Size A	Document Number ADC INPUTS	Rev 3.0
Date:	Thursday, September 30, 2021	Sheet 4 of 14



SEQUENTMICROSYSTEMS.COM		
Title		
HOME AUTOMATION HAT		
Size	Document Number	Rev
A	OPTO-INPUTS	3.0
Date:	Thursday, September 30, 2021	Sheet 5 of 14

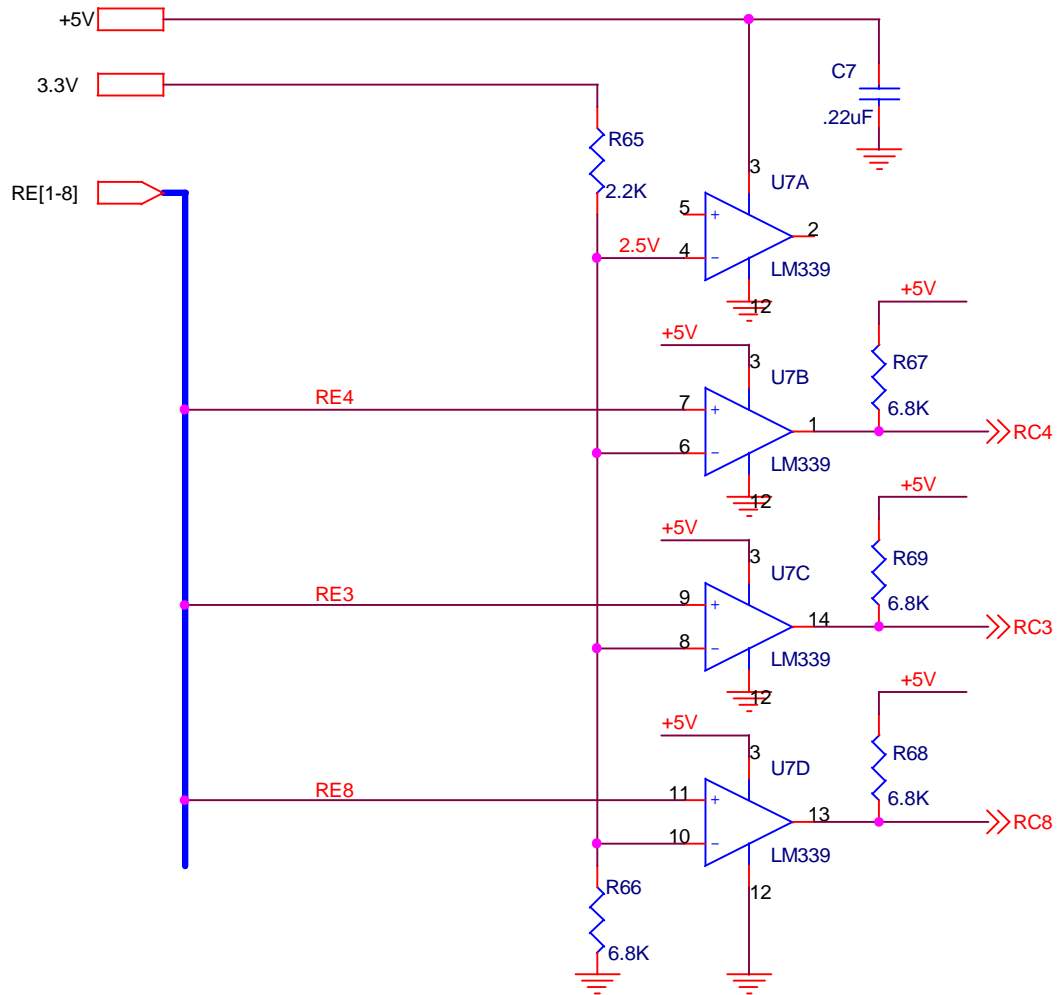


SEQUENTMICROSYSTEMS.COM		
Title		
HOME AUTOMATION HAT		
Size	Document Number	Rev
A	OD OUTPUTS	3.0
Date:	Thursday, September 30, 2021	Sheet 6 of 14

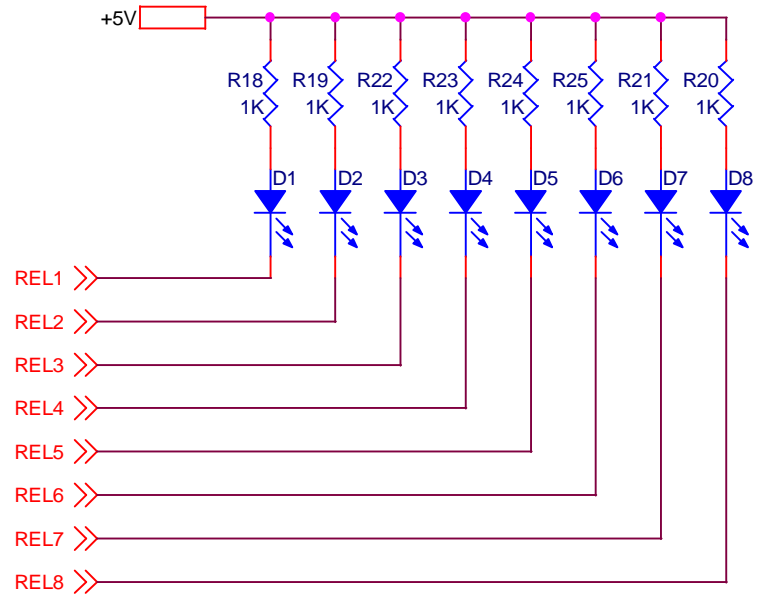


MT3540-F23: FB=1.23V
VOUT = 11.68V

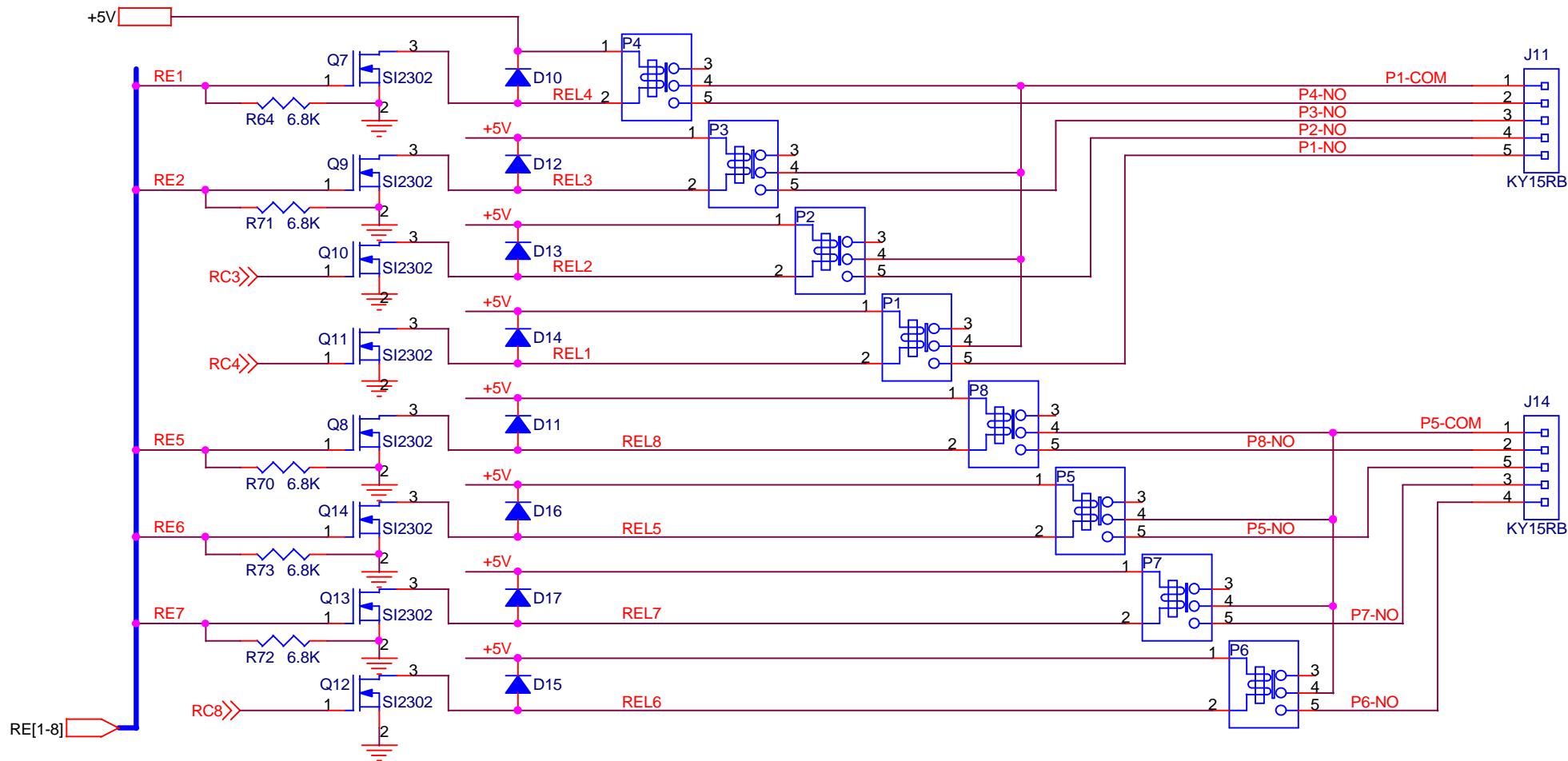
SEQUENTMICROSYSTEMS.COM		
Title HOME AUTOMATION HAT		
Size A	Document Number DAC OUTPUTS	Rev 3.0
Date:	Thursday, September 30, 2021	Sheet 7 of 14



SEQUENTMICROSYSTEMS.COM		
Title		
HOME AUTOMATION HAT		
Size	Document Number	Rev
A	ID-MUX	3.0
Date:	Thursday, September 30, 2021	Sheet 8 of 14

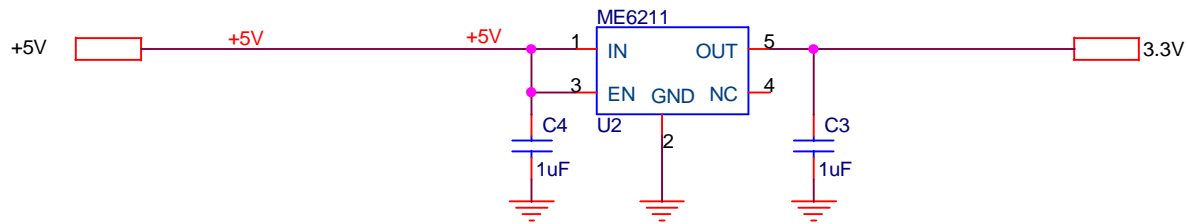


SEQUENTMICROSYSTEMS.COM		
Title		
HOME AUTOMATION HAT		
Size	Document Number	Rev
A	LEDS	3.0
Date:	Thursday, September 30, 2021	Sheet 9 of 14

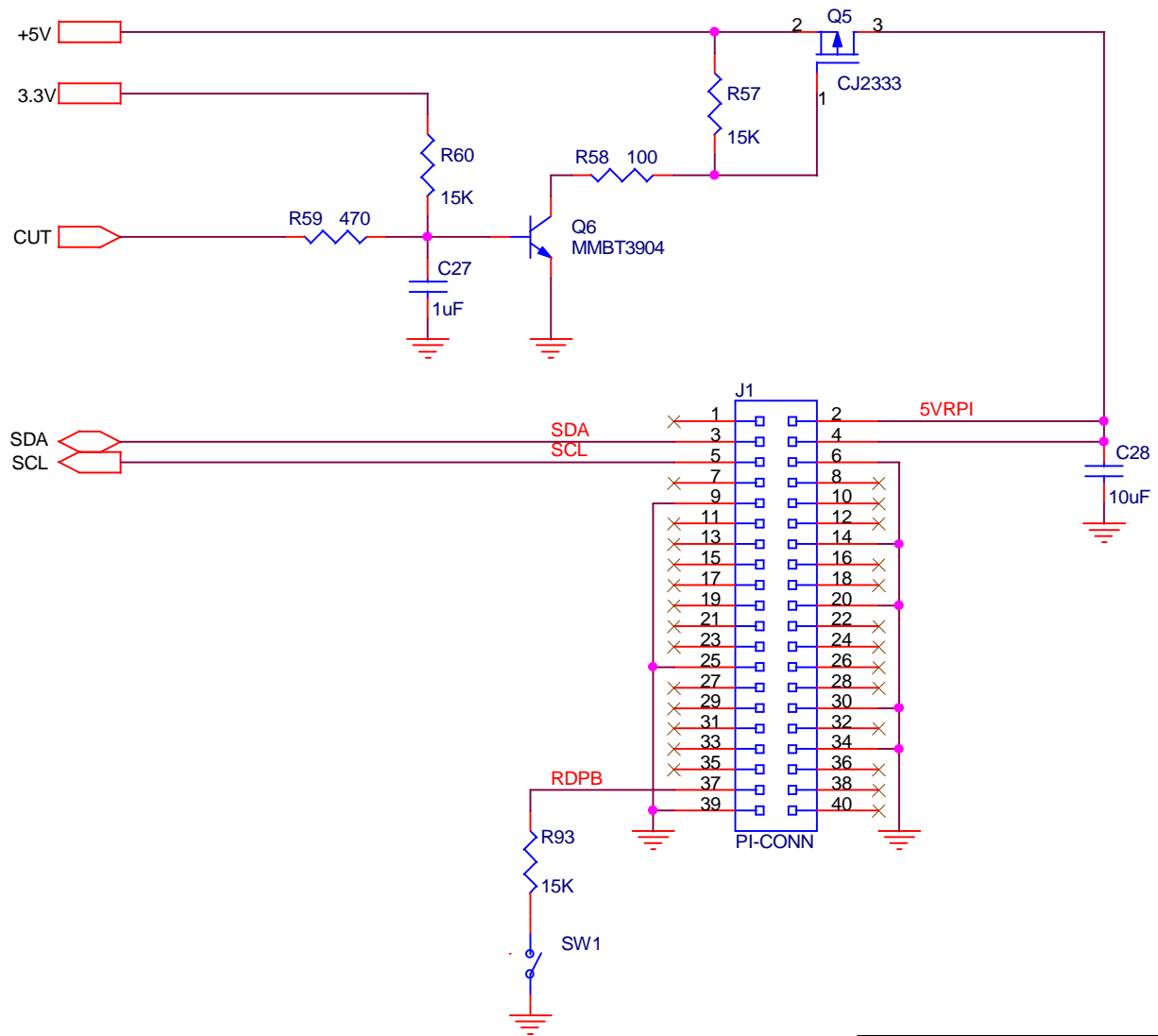


- REL1 >>
- REL2 >>
- REL3 >>
- REL4 >>
- REL5 >>
- REL6 >>
- REL7 >>
- REL8 >>

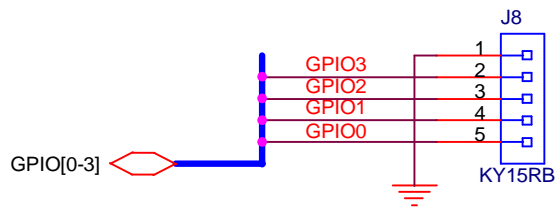
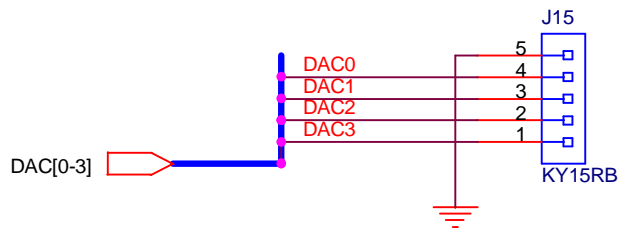
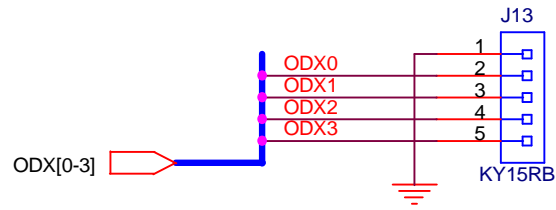
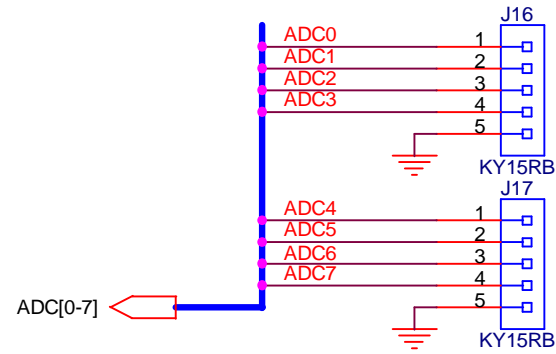
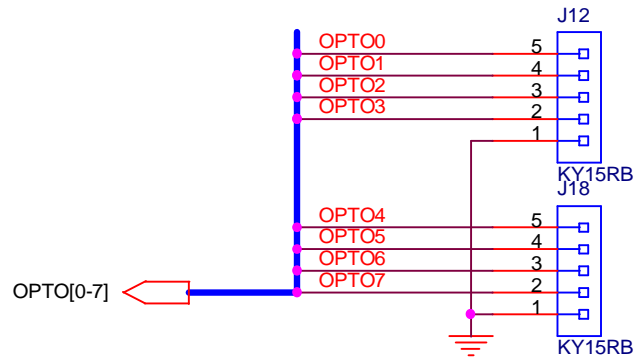
SEQUENTMICROSYSTEMS.COM		
Title		
HOME AUTOMATION HAT		
Size	Document Number	Rev
A	RELAYS	3.0
Date:	Thursday, September 30, 2021	Sheet 10 of 14



SEQUENTMICROSYSTEMS.COM		
Title		
HOME AUTOMATION HAT		
Size	Document Number	Rev
A	POWER SUPPLY	3.0
Date:	Thursday, September 30, 2021	Sheet 11 of 14

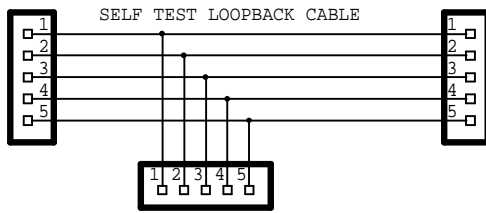


SEQUENTMICROSYSTEMS.COM		
Title		
HOME AUTOMATION HAT		
Size	Document Number	Rev
A	RPI Connector	3.0
Date:	Thursday, September 30, 2021	Sheet 12 of 14

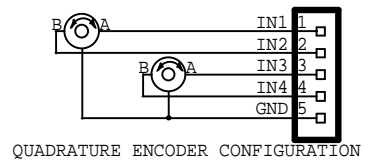
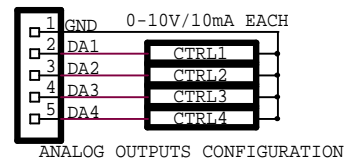
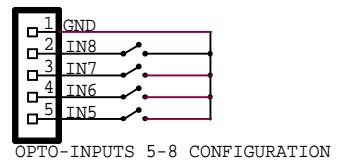
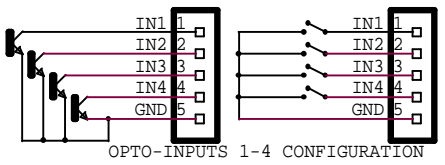
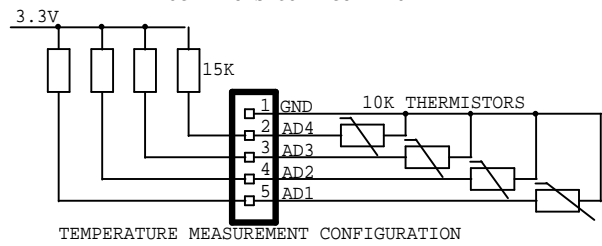
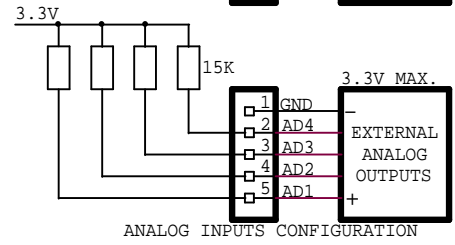
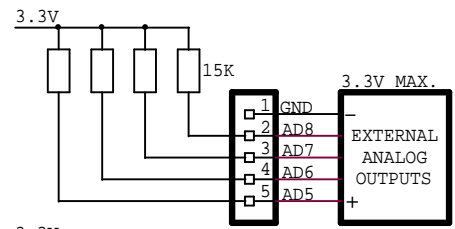
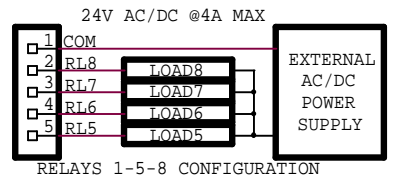
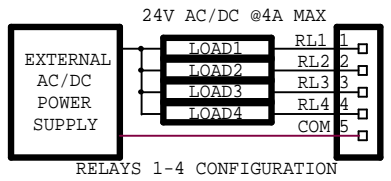
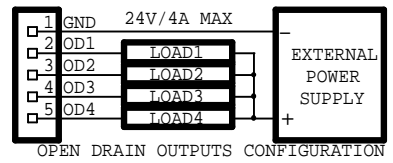
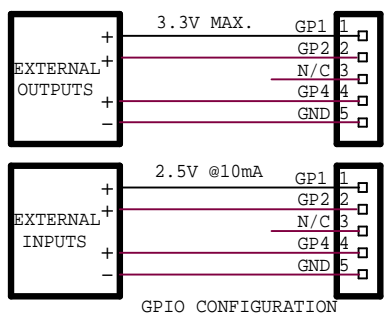


MT3540-F23 - C181783 : VFB=1.23V 20050 stock 7/9/2021
 MT3540-F25 - C883495: VFB=1.25V 21300 stock 7/9/2021

SEQUENTMICROSYSTEMS.COM		
Title HOME AUTOMATION HAT		
Size A	Document Number IO CONNECTOR	Rev 3.0
Date:	Thursday, September 30, 2021	Sheet 13 of 14



CONNECTOR PLUGS: 5 PIN 3.5mm pitch
 AMP PN 284506-5
 PHOENIX CONTACT PN MC 1,5/5-ST-3,5
 WEIDMULLER PN BL 3.5/5
 MOLEX PN 39500-0005
 PHOENIX CONTACT PN MCVR 1,5/5-ST-3,5



SEQUENTMICROSYSTEMS.COM		
Title HOME AUTOMATION HAT		
Size A	Document Number TEST CABLE	Rev 3.0
Date:	Thursday, September 30, 2021	Sheet 14 of 14