

SEQUENTMICROSYSTEMS.COM

8-THERMO-V1_1

SKU : SM-I-019

CONNECTOR

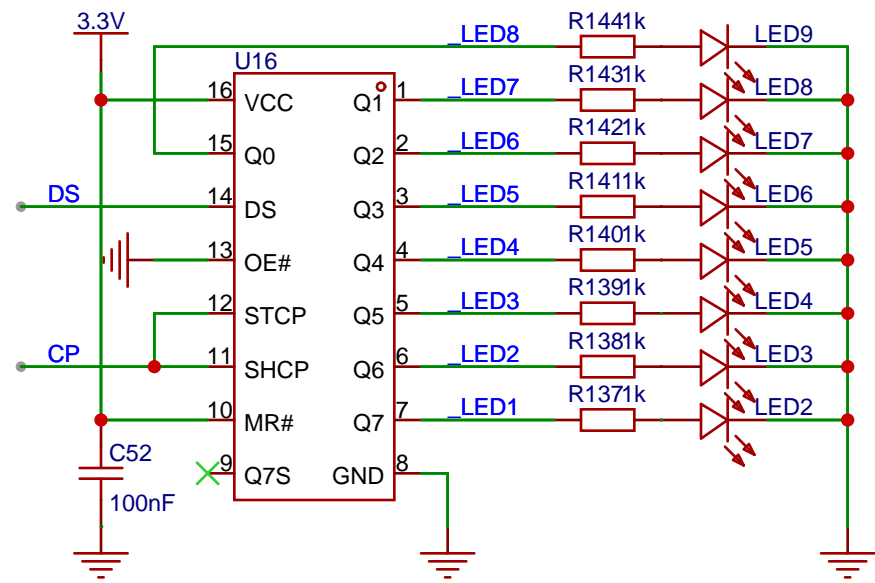
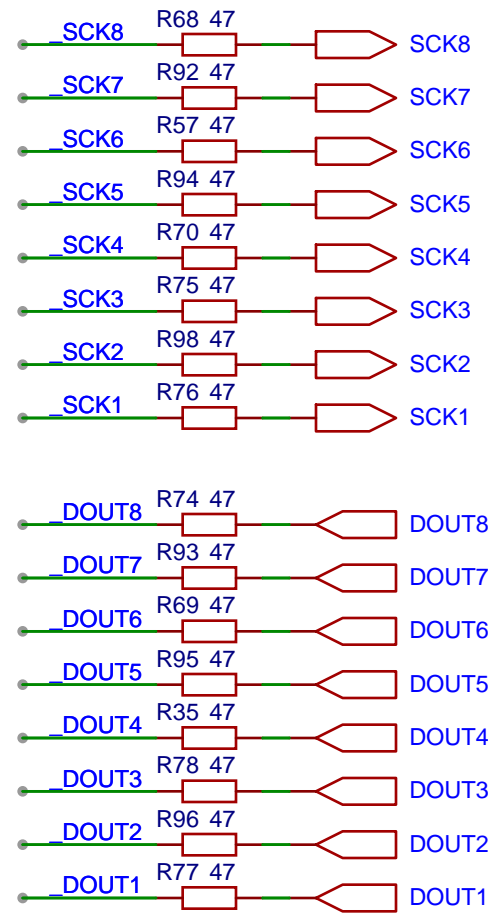
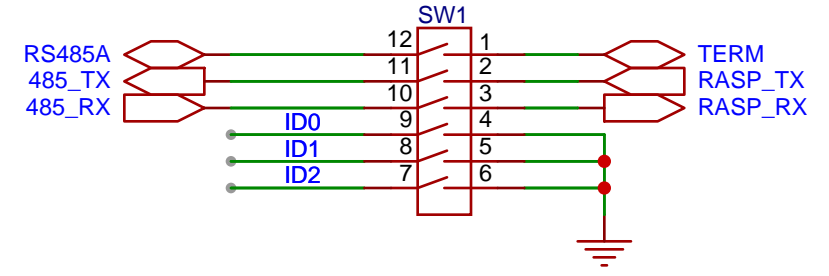
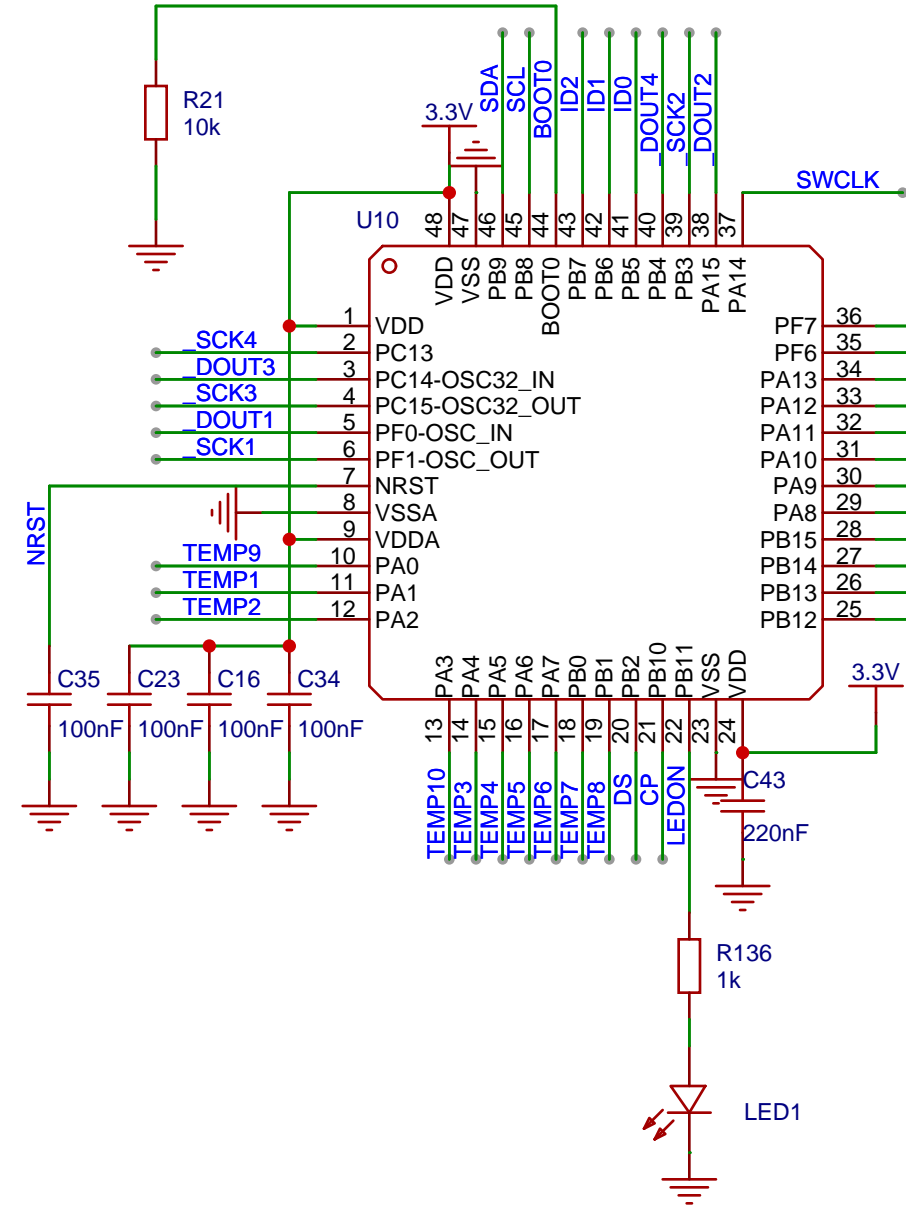
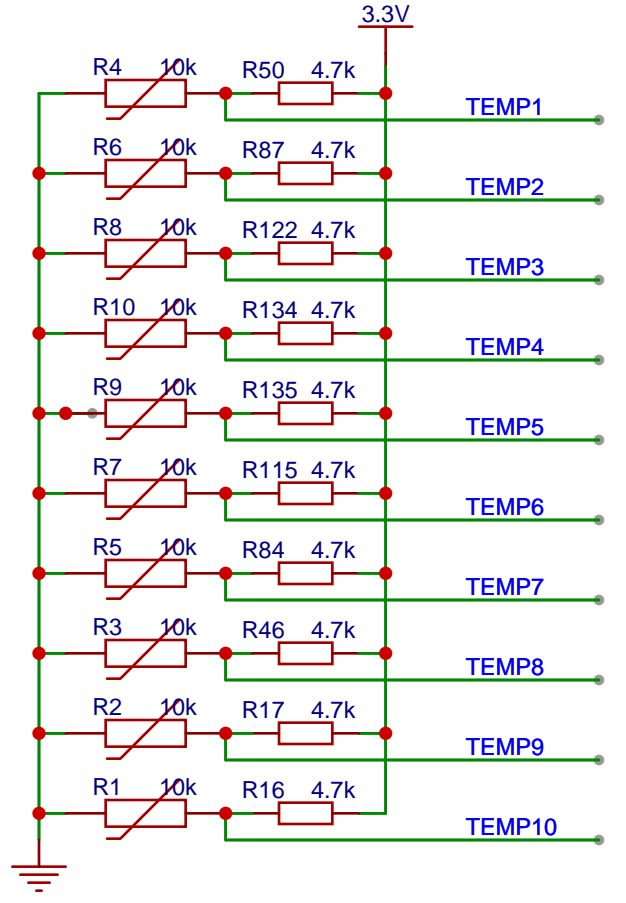
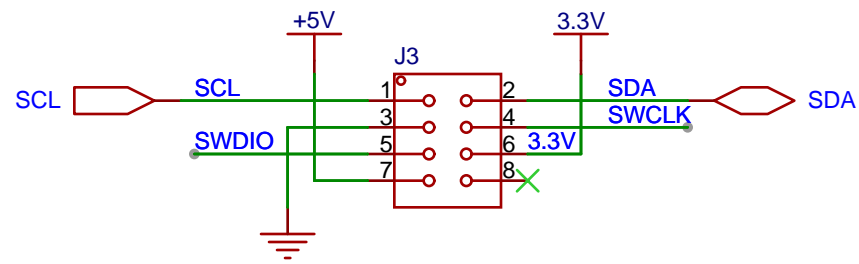
VER : 1.1

Created: 2022-08-02

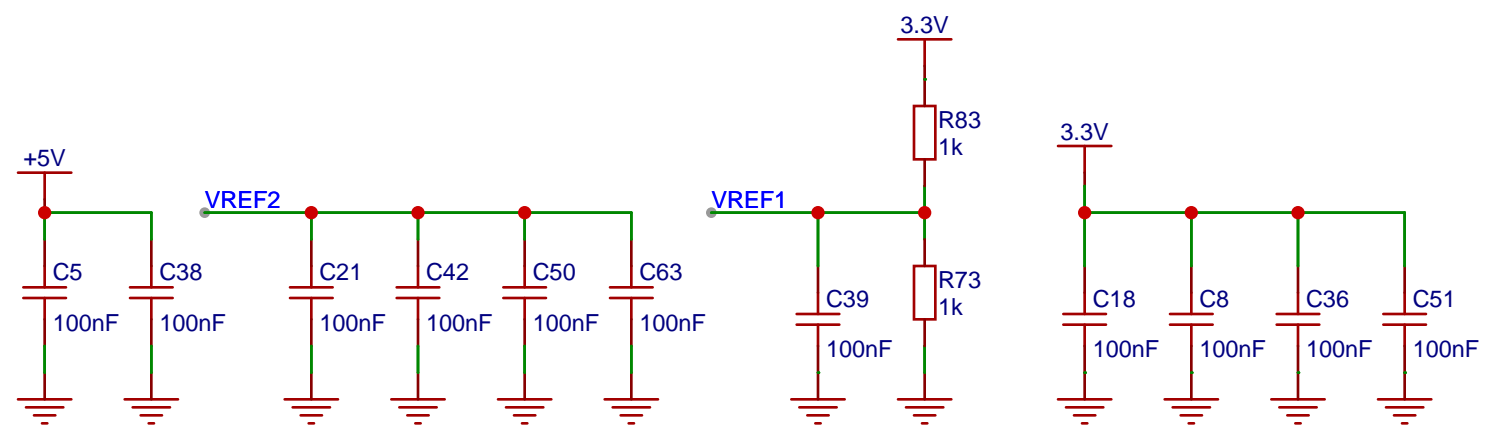
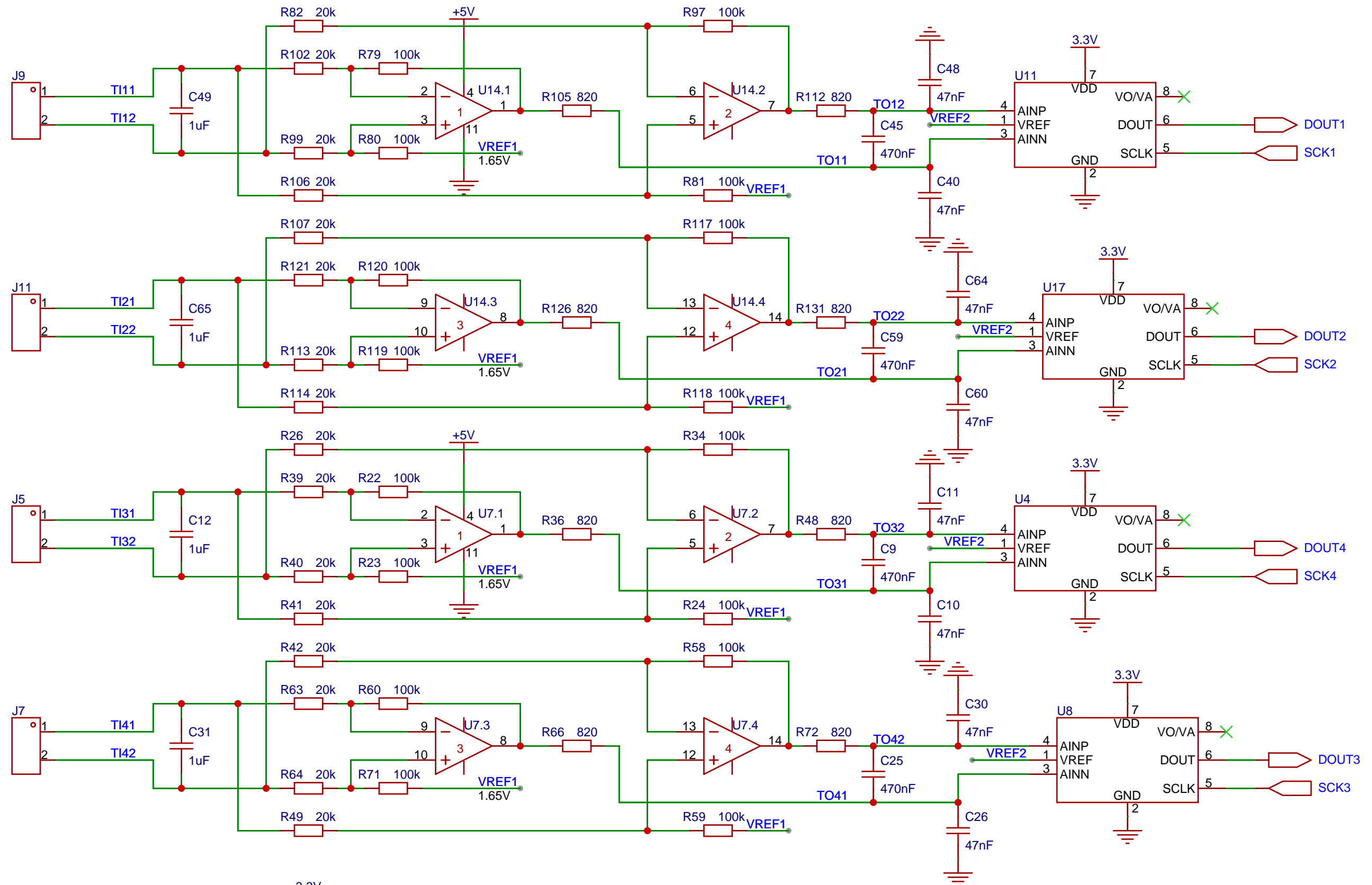
Updated: 2023-10-05

UPC : 4782912926628

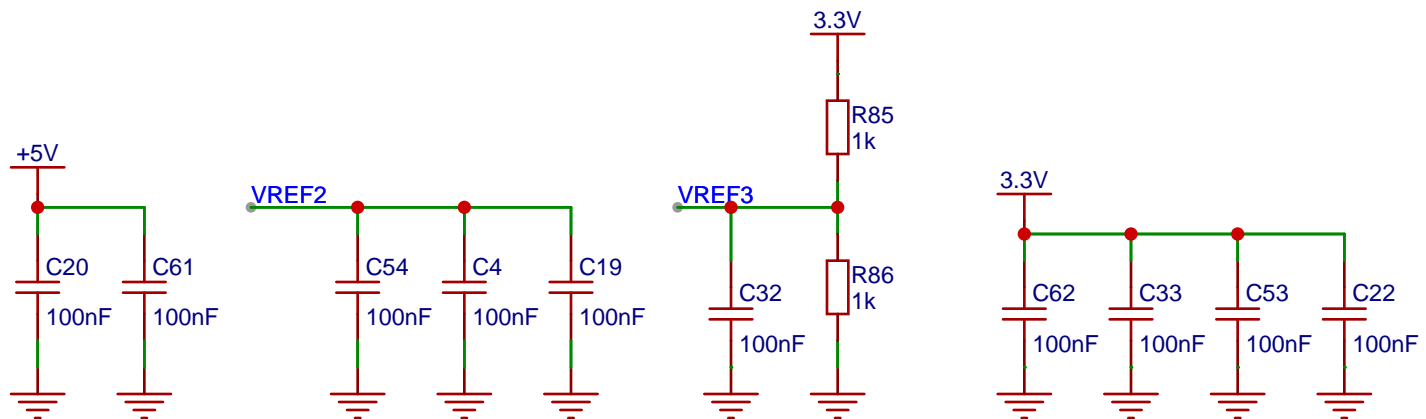
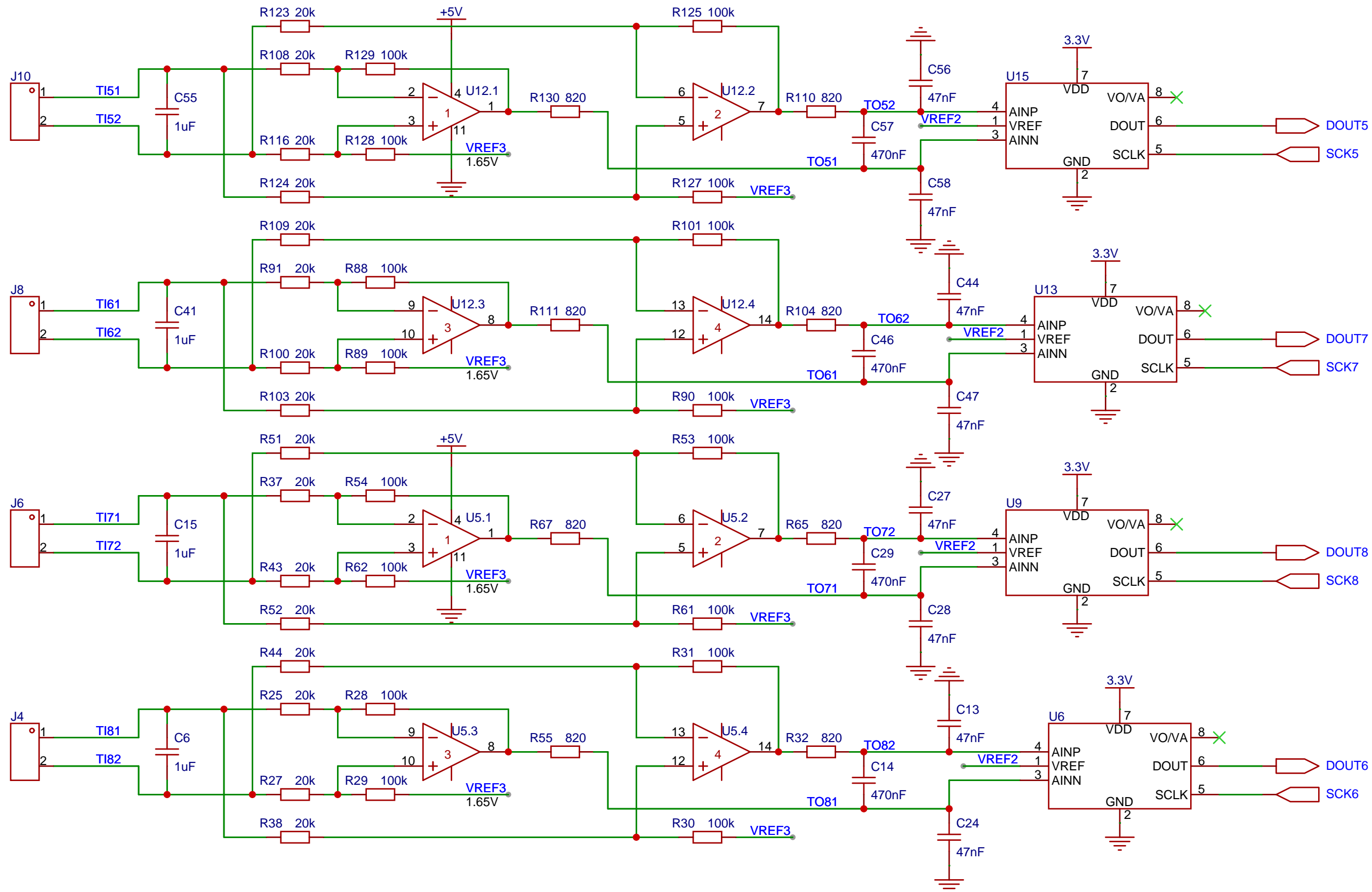
PAGE 1 OF 7



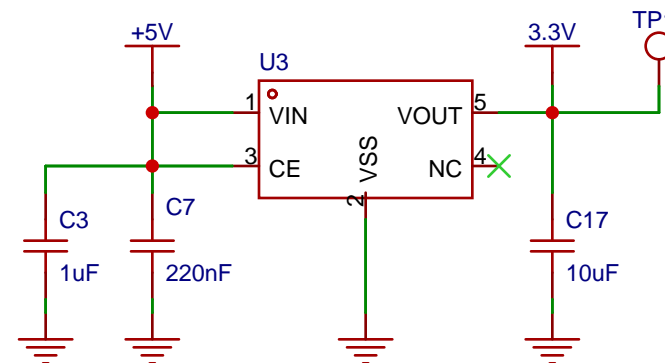
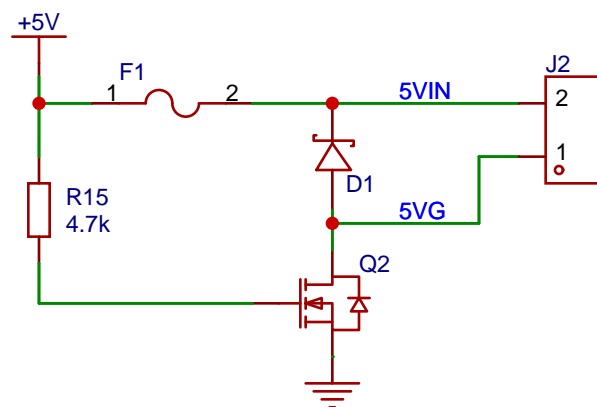
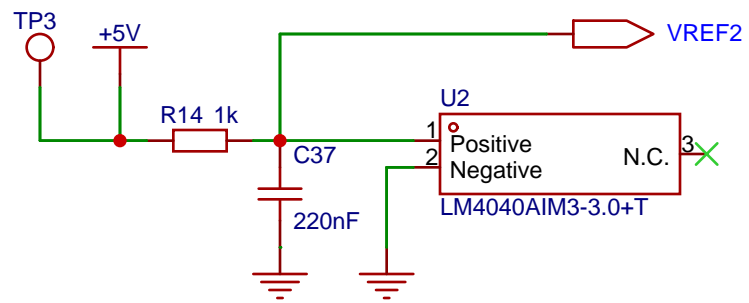
SEQUENTMICROSYSTEMS.COM	
8-THERMO-V1_1	SKU : SM-I-019
PROCESSOR	VER : 1.1
Created: 2022-08-01	Updated: 2023-07-27
UPC : 4782912926628	PAGE 2 OF 7



SEQUENTMICROSYSTEMS.COM	
8-THERMO-V1_1	SKU : SM-I-019
THERMO1-4	VER : 1.1
Created: 2022-08-19	Updated: 2023-07-27
UPC : 4782912926628	PAGE 3 OF 7



SEQUENTMICROSYSTEMS.COM	
8-THERMO-V1_1	SKU : SM-I-019
THERMO5-8	VER : 1.1
Created: 2022-08-17	Updated: 2023-07-27
UPC : 4782912926628	PAGE 4 OF 7



SEQUENTMICROSYSTEMS.COM

8-THERMO-V1_1

SKU : SM-I-019

POWER SUPPLY

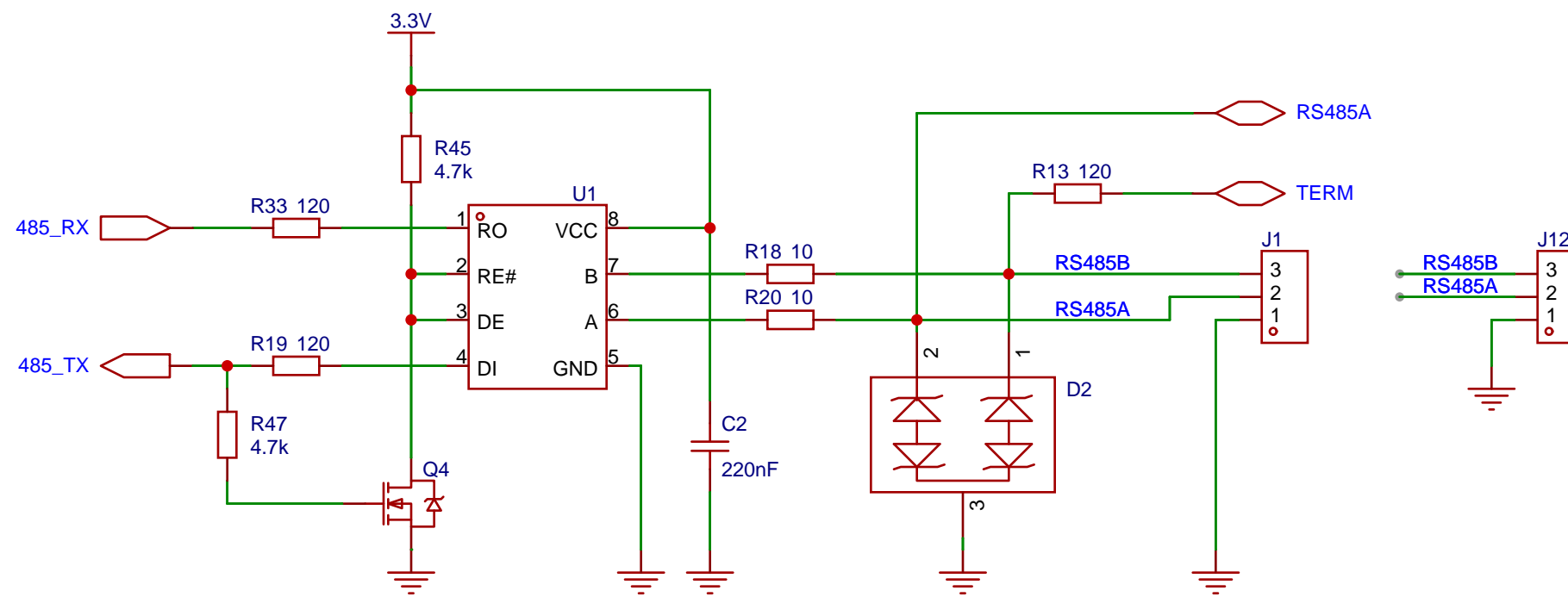
VER : 1.1

Created: 2022-08-01

Updated: 2023-07-27

UPC : 4782912926628

PAGE 5 OF 7



SEQUENTMICROSYSTEMS.COM

8-THERMO-V1_1

SKU : SM-I-019

COMMUNICATION

VER : 1.1

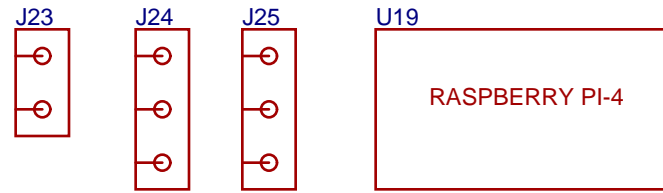
Created: 2022-08-23

Updated: 2023-07-27

UPC : 4782912926628

PAGE 6 OF 7

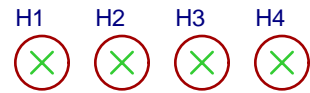
CONNECTOR PLUGS



thermocoupleinfo.com/thermocouple-reference-tables.htm

J-Type: -210 °C to 1200 °C; -8mV to 70mV
 K-Type: -270 °C to 1370 °C; -6mV to 55mV
 T-Type: -270 °C to 400 °C; -6mV to 21mV
 N-Type: -270 °C to 1300 °C; -4mV to 47mV
 E-Type: -270 °C to 1000 °C; -10mV to 76mV
 B-Type: 0 °C to 1820 °C; 0mV to 14mV
 R-Type: -50 °C to 1760 °C; -0.2mV to 21mV
 S-Type: -50 °C to 1760 °C; -0.2mV to 19mV

MOUNTING HOLES



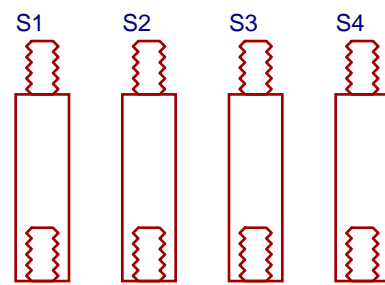
HOLE COORDS

138,138
 2421,138
 138,2067
 2421,2067



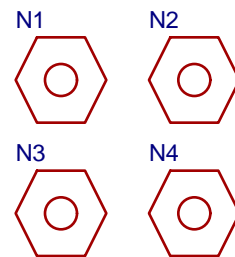
Convert to PCB : yes
 Add into BOM : no

19mm STANDOFFS

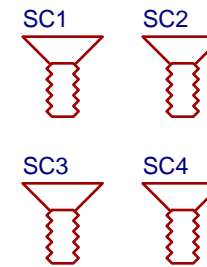


yes

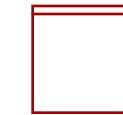
2.5MM NUTS



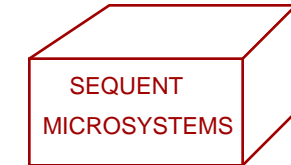
2.5MM X 5MM SCREWS



BAG1



BOX1



HOLES 5-8 HAVE STANDOFFS.
 CONVERT TO PCB ONLY ONE SET

SEQUENTMICROSYSTEMS.COM

8-THERMO-V1_1

SKU : SM-I-019

ACCESSORIES

VER : 1.1

Created: 2022-08-04

Updated: 2023-07-27

UPC : 4782912926628

PAGE 7 OF 7