

SEQUENTMICROSYSTEMS.COM

8-SERIAL-V1

SKU : SM-I-024

PI CONNECTOR

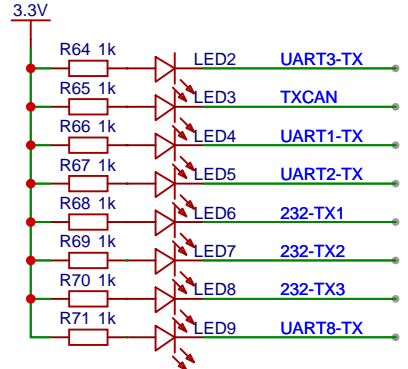
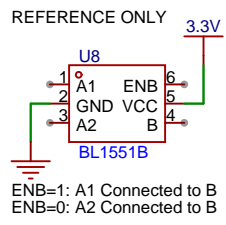
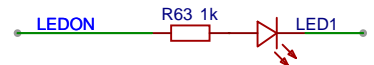
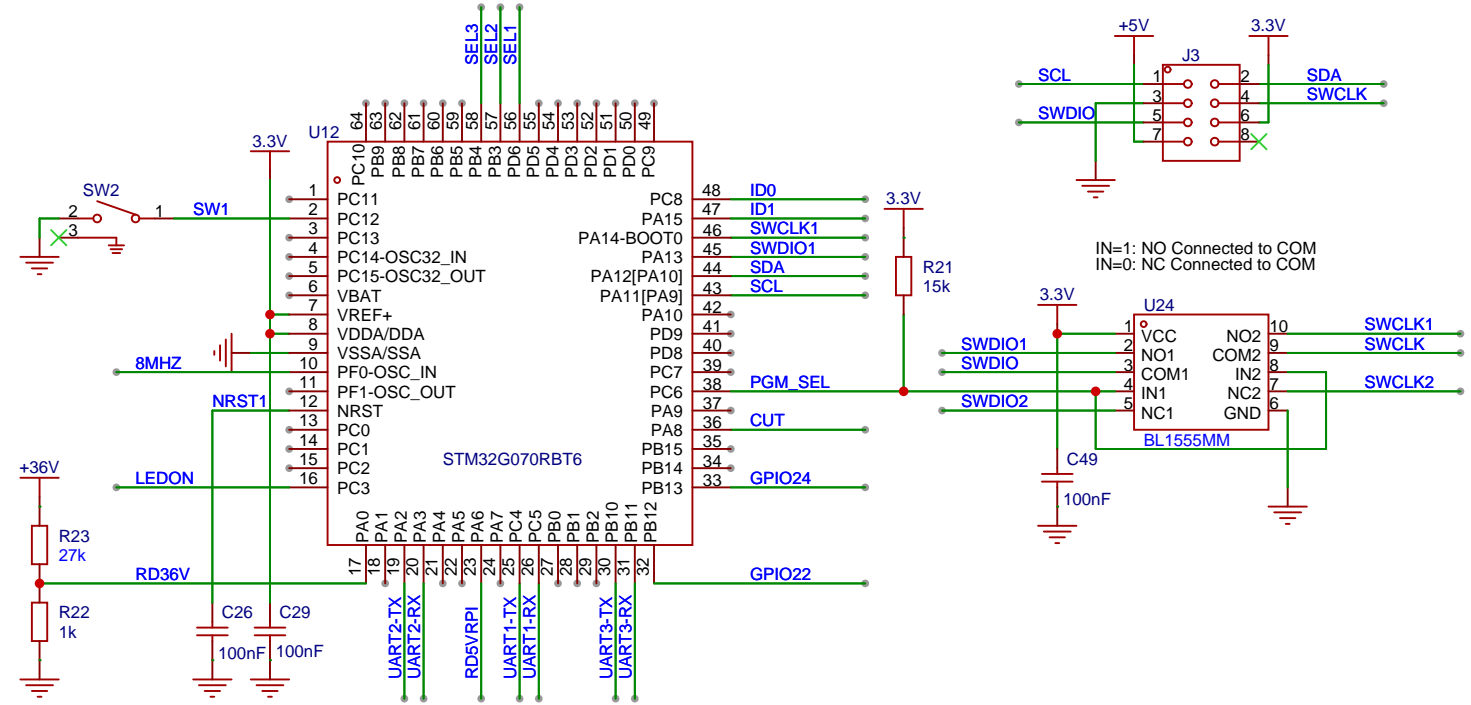
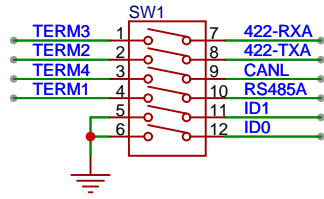
VER : 1

Created: 2022-09-12

Updated: 2024-04-02

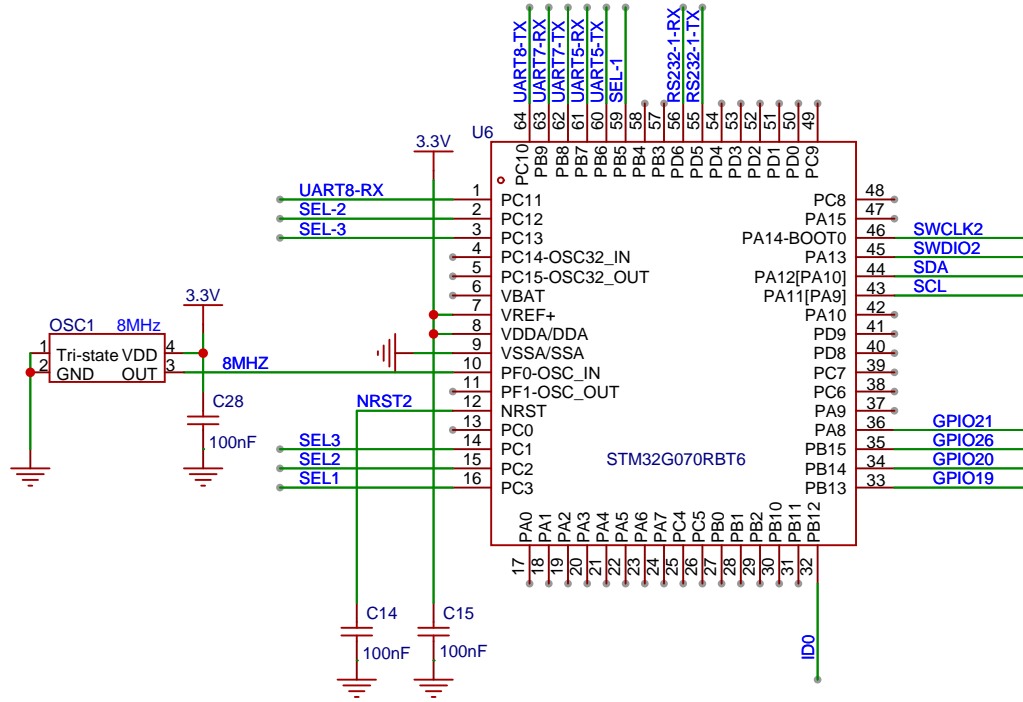
UPC : 4782912926901

PAGE 1 OF 10



## SEQUENTMICROSYSTEMS.COM

8-SERIAL-V1	SKU : SM-I-024
PROCESSOR1	VER : 1_0
Created: 2022-09-12	Updated: 2024-03-30
UPC : 4782912926901	PAGE 2 OF 10



SEQUENTMICROSYSTEMS.COM

8-SERIAL-V1

SKU : SM-I-024

PROCESSOR2

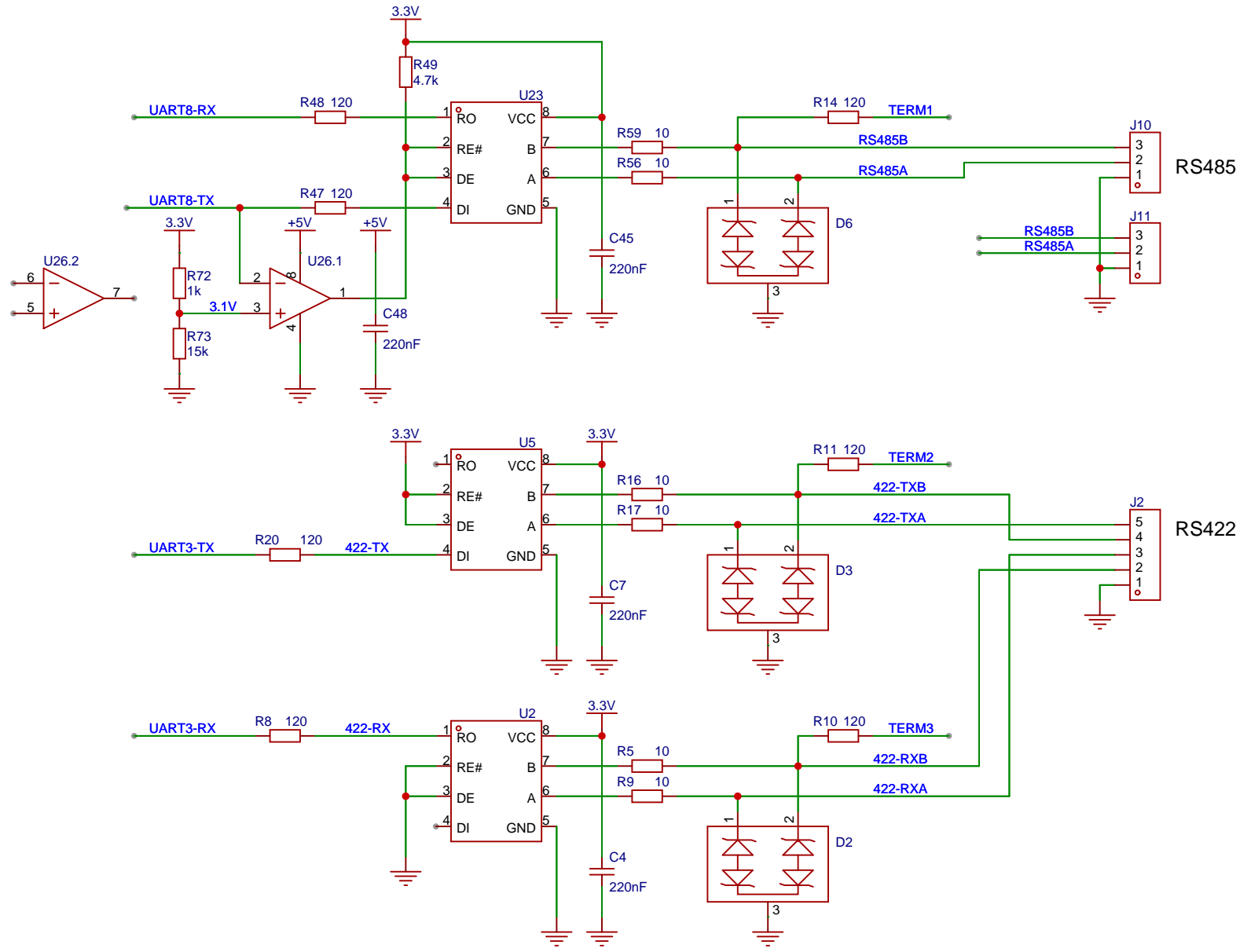
VER : 1\_0

Created: 2024-02-24

Updated: 2024-03-30

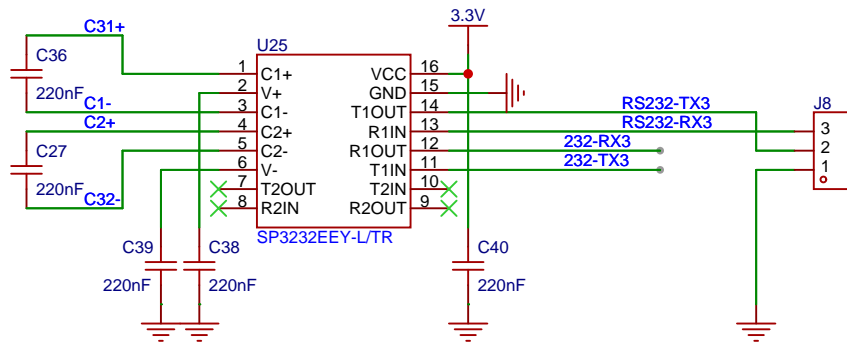
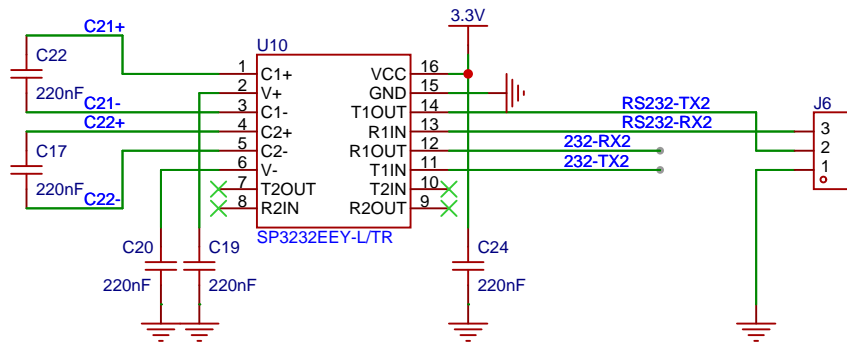
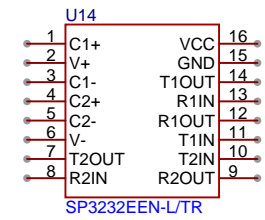
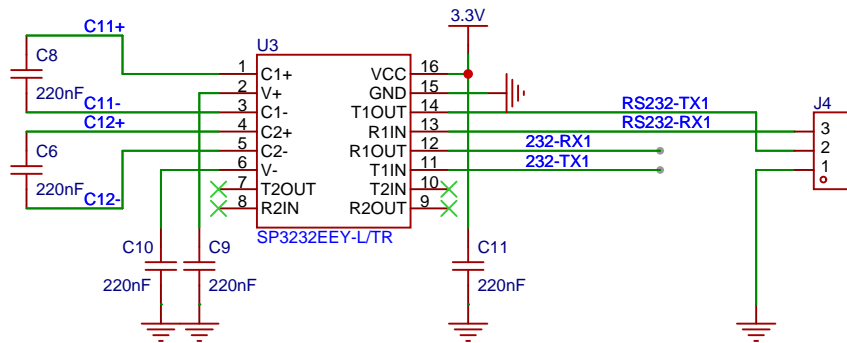
UPC : 4782912926901

PAGE 3 OF 10



## SEQUENTMICROSYSTEMS.COM

8-SERIAL-V1	SKU : SM-I-024
485 AND 422	VER : 1_0
Created: 2022-09-12	Updated: 2024-03-16
UPC : 4782912926901	PAGE 4 OF 10



SEQUENTMICROSYSTEMS.COM

8-SERIAL-V1

SKU : SM-I-024

RS232

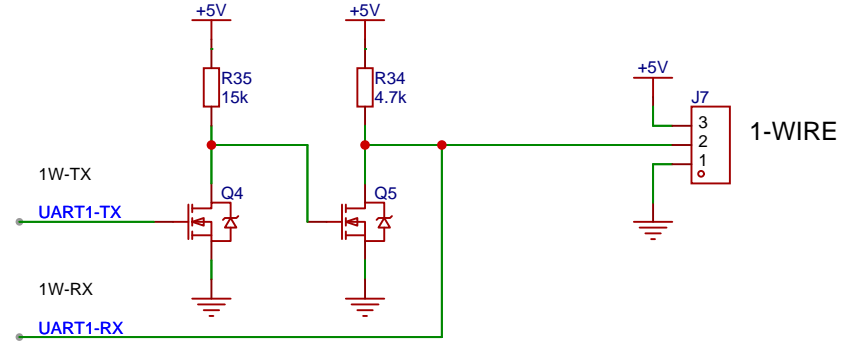
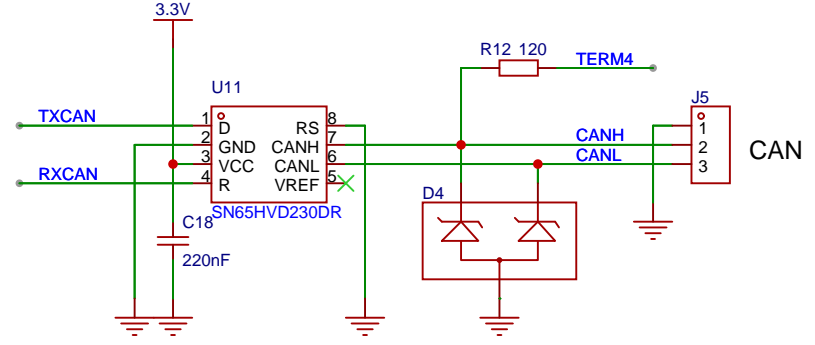
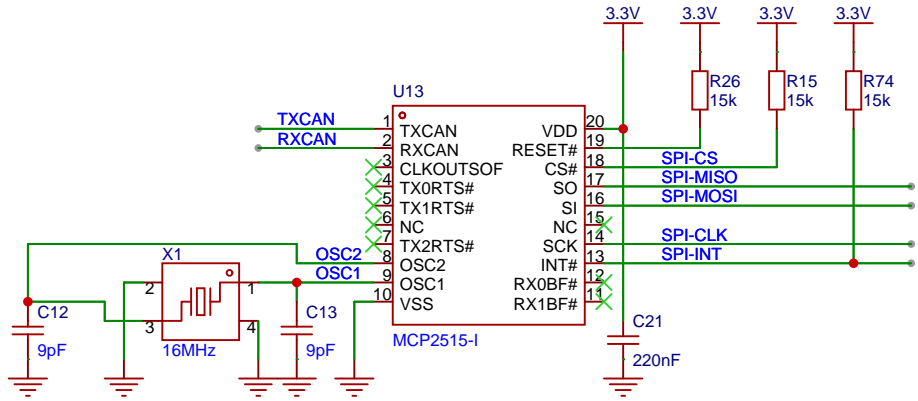
VER : 1\_0

Created: 2024-02-24

Updated: 2024-02-27

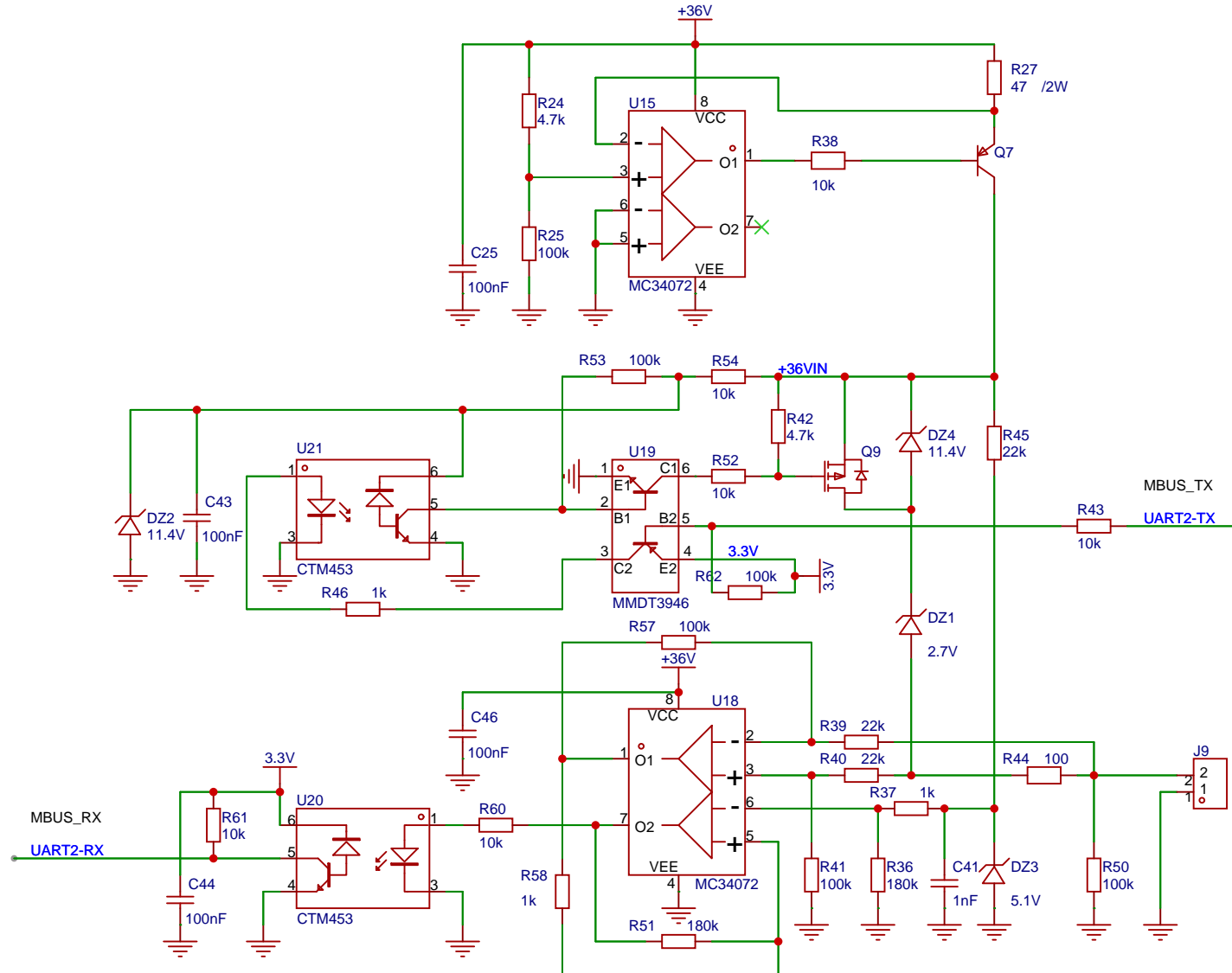
UPC : 4782912926901

PAGE 5 OF 10



SEQUENTMICROSYSTEMS.COM

8-SERIAL-V1	SKU : SM-I-024
CAN AND 1WIRE	VER : 1_0
Created: 2024-02-24	Updated: 2024-03-30
UPC : 4782912926901	PAGE 6 OF 10



SEQUENTMICROSYSTEMS.COM

8-SERIAL-V1

SKU : SM-I-024

M-BUS MASTER

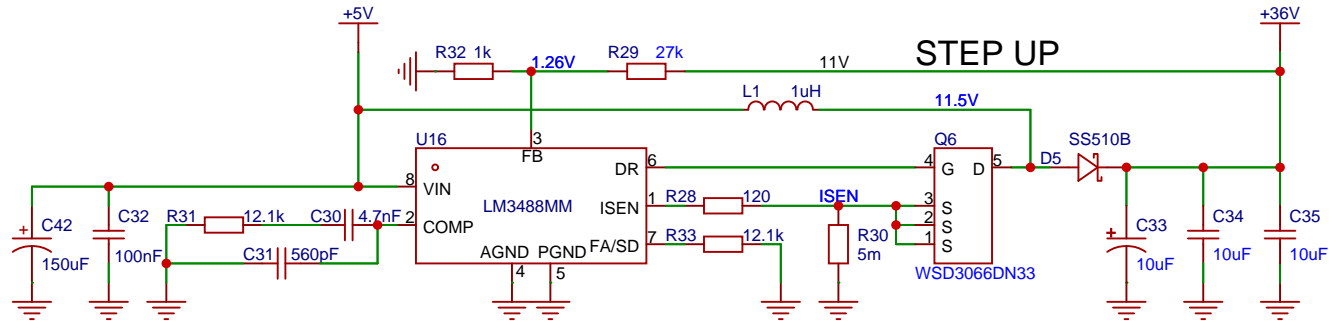
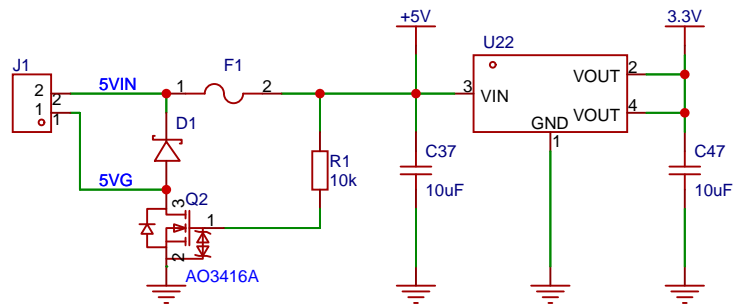
VER : 1\_0

Created: 2022-09-21

Updated: 2024-02-27

UPC : 4782912926901

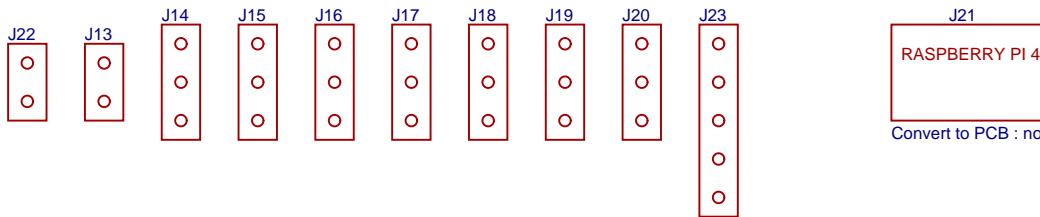
PAGE 7 OF 10



SEQUENTMICROSYSTEMS.COM

8-SERIAL-V1	SKU : SM-I-024
POWER SUPPLY	VER : 1_0
Created: 2022-09-12	Updated: 2024-02-27
UPC : 4782912926901	PAGE 8 OF 10





**MOUNTING HOLES**

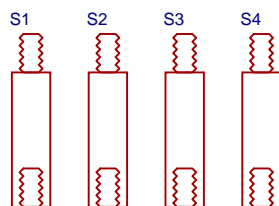


**HOLE COORDS:**  
 986, 5611  
 3269, 5611  
 986, 3682  
 3269, 3682

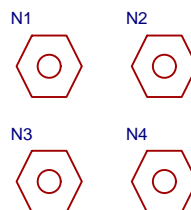


Convert to PCB : yes

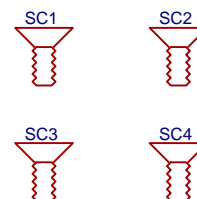
**19mm STANDOFFS**



**2.5MM NUTS**



**2.5MM X 5MM SCREWS**



**SEQUENTMICROSYSTEMS.COM**

8-SERIAL-V1

SKU : SM-I-024

ACCESSORIES

VER : 1\_0

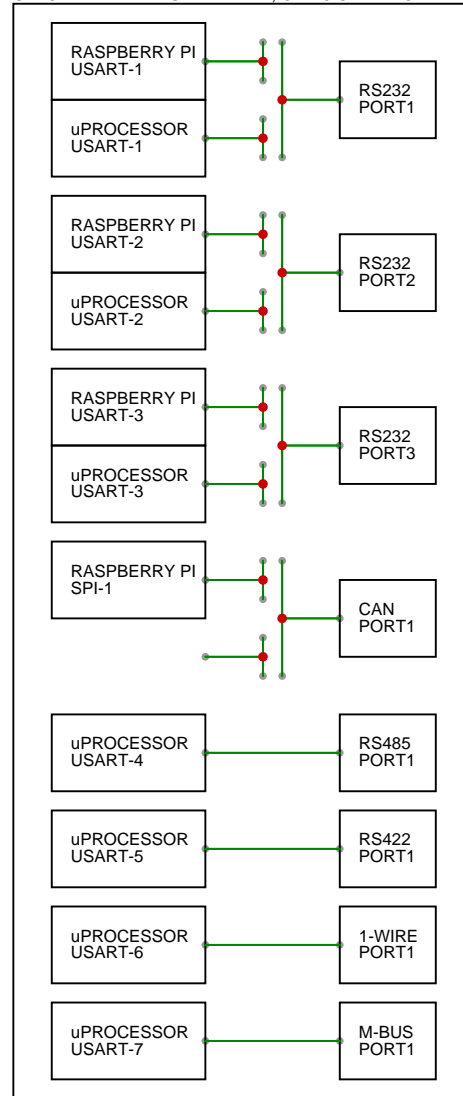
Created: 2022-09-12

Updated: 2024-03-30

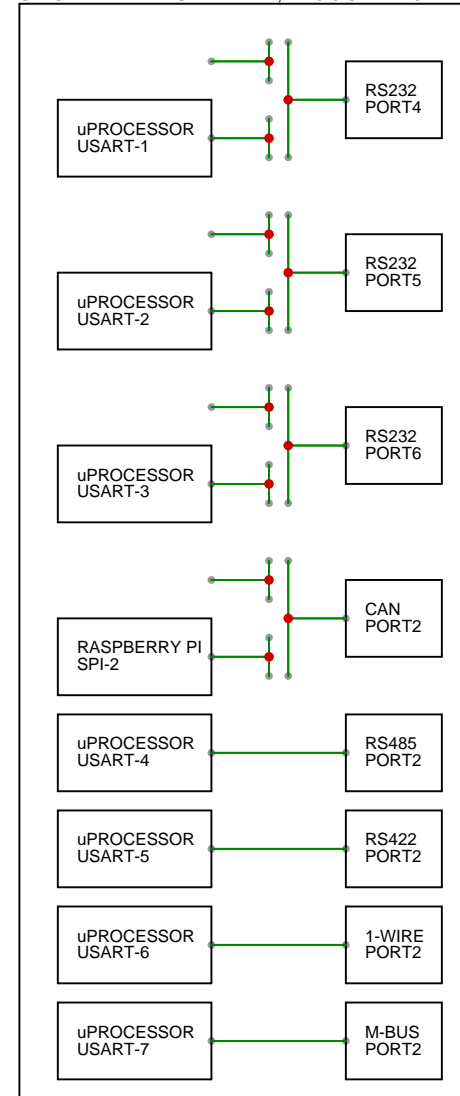
UPC : 4782912926901

PAGE 9 OF 10

STACK LEVEL1: RASPBERRY PI, ONE 8-SERIAL CARD



STACK LEVEL2: RASPBERRY PI, TWO 8-SERIAL CARDS



**SEQUENTMICROSYSTEMS.COM**

8-SERIAL-V1

SKU : SM-I-024

PORT DIAGRAM

VER : 1\_0

Created: 2024-02-27

Updated: 2024-03-30

UPC : 4782912926901

PAGE 10 OF 10