

SEQUENTMICROSYSTEMS.COM

8-RELAYS-V5\_21

SKU : SM-A-002

8-RELAYS-SCH

VER : 5.21

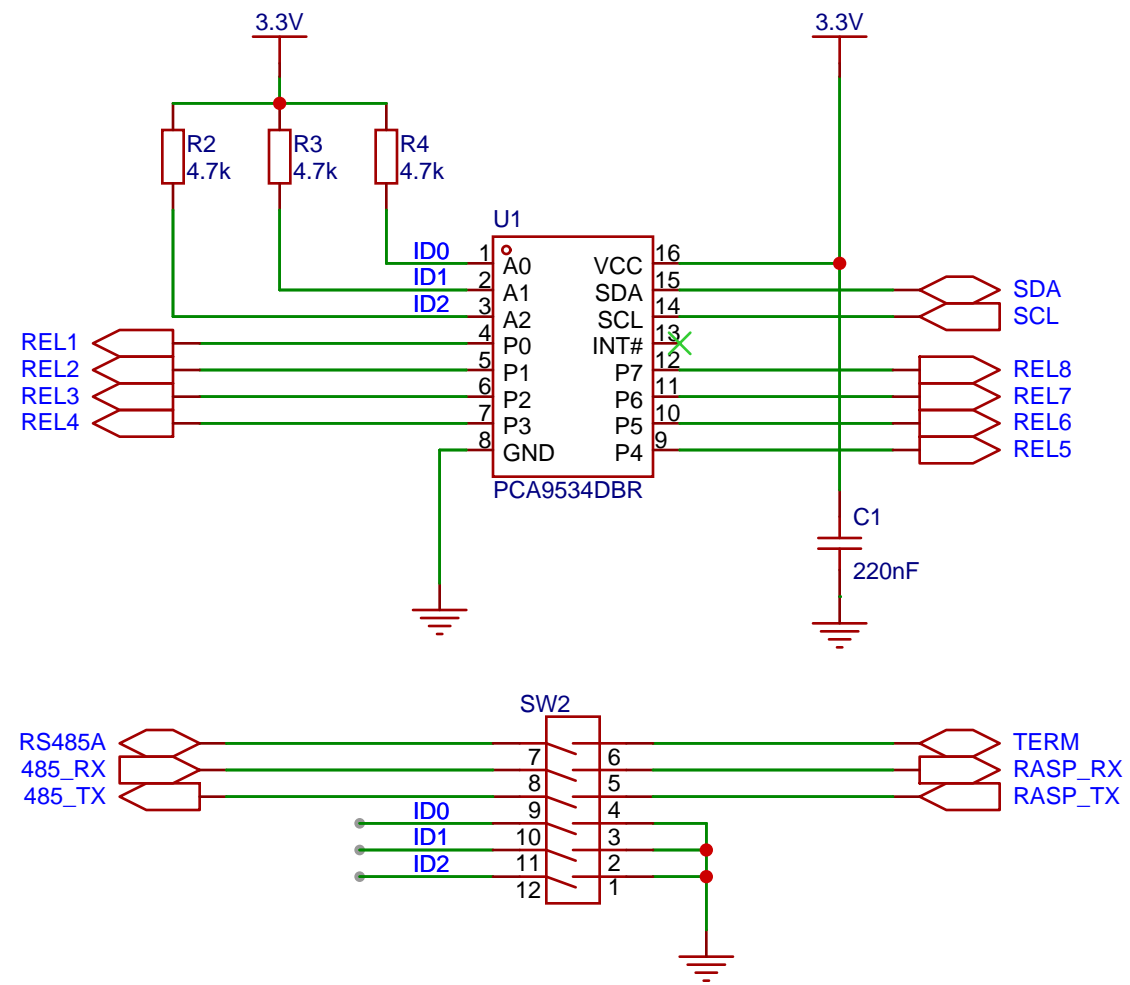
PI CONNECTOR

Created: 2022-08-02

Updated: 2023-01-07

UPC : 4782912926291

PAGE 1 OF 6



SEQUENTMICROSYSTEMS.COM

8-RELAYS-V5\_21

SKU : SM-A-002

8-RELAYS-SCH

IO EXPANDER

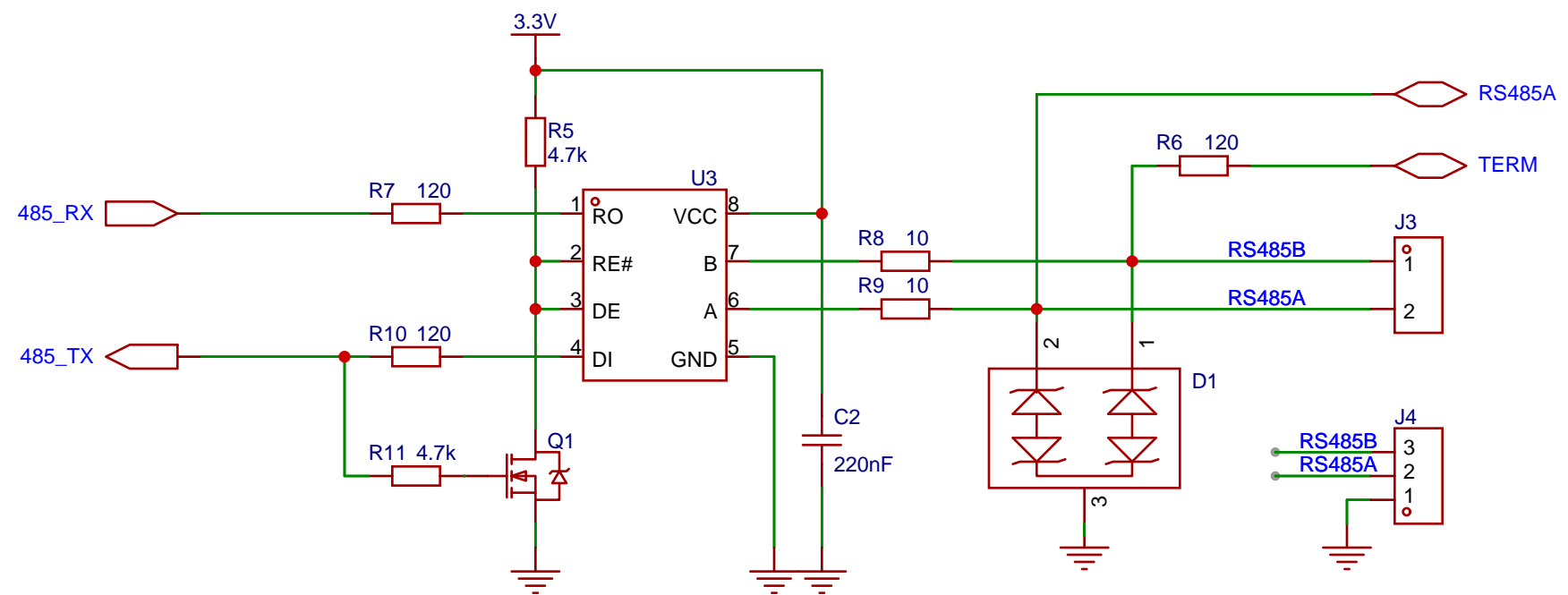
VER : 5.21

Created: 2022-08-01

Updated: 2023-02-07

UPC : 4782912926291

PAGE 2 OF 6



SEQUENTMICROSYSTEMS.COM

8-RELAYS-V5\_21

SKU : SM-A-002

8-RELAYS-SCH

VER : 5.21

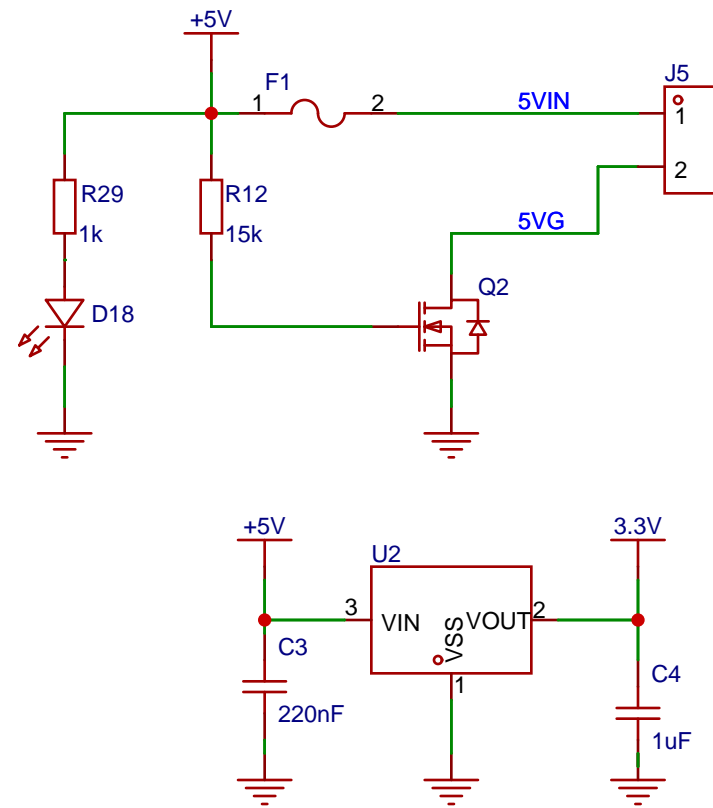
COMMUNICATION

Created: 2022-09-27

Updated: 2023-01-07

UPC : 4782912926291

PAGE 3 OF 6



SEQUENTMICROSYSTEMS.COM

8-RELAYS-V5\_21

SKU : SM-A-002

8-RELAYS-SCH

POWER SUPPLY

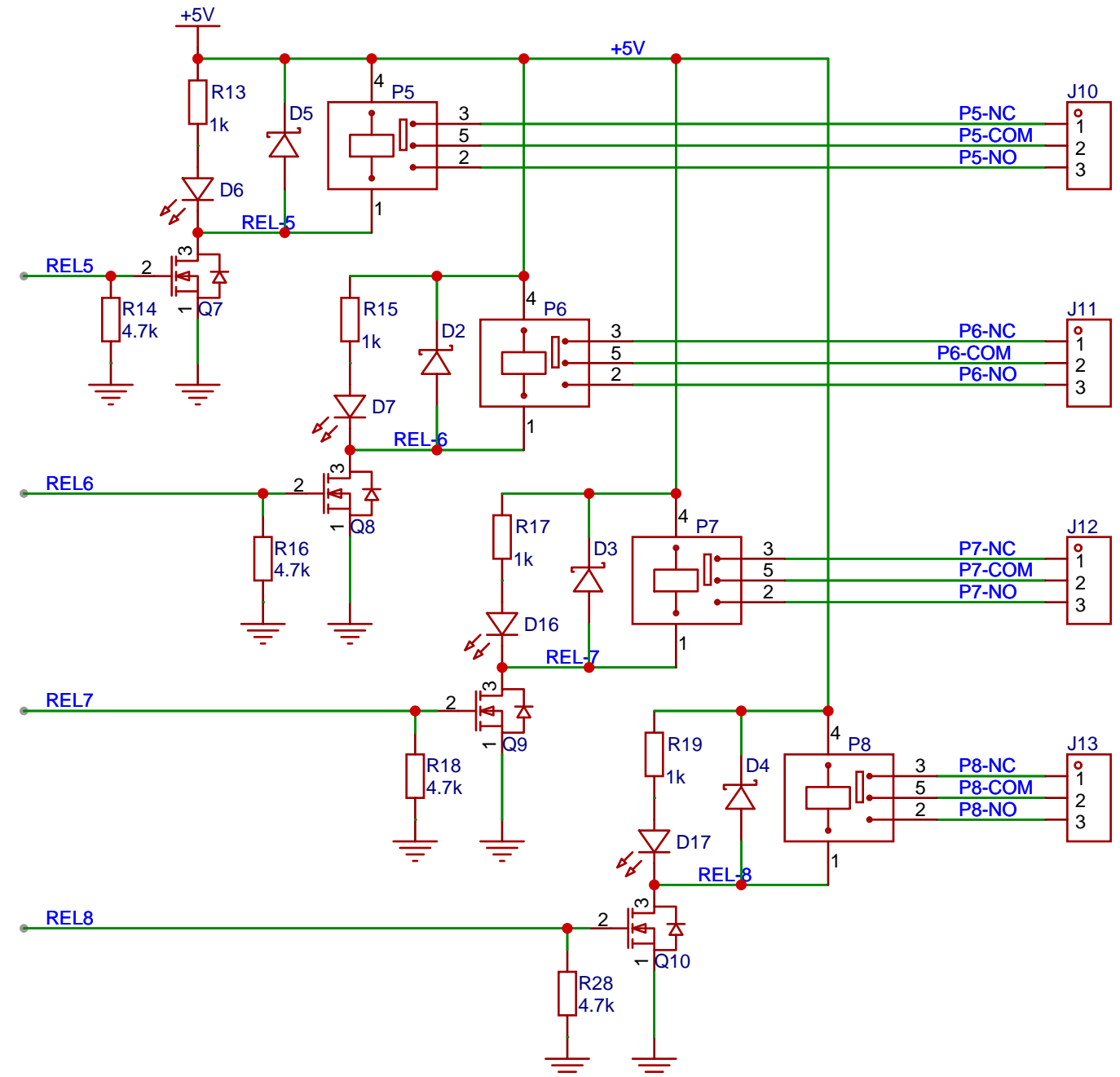
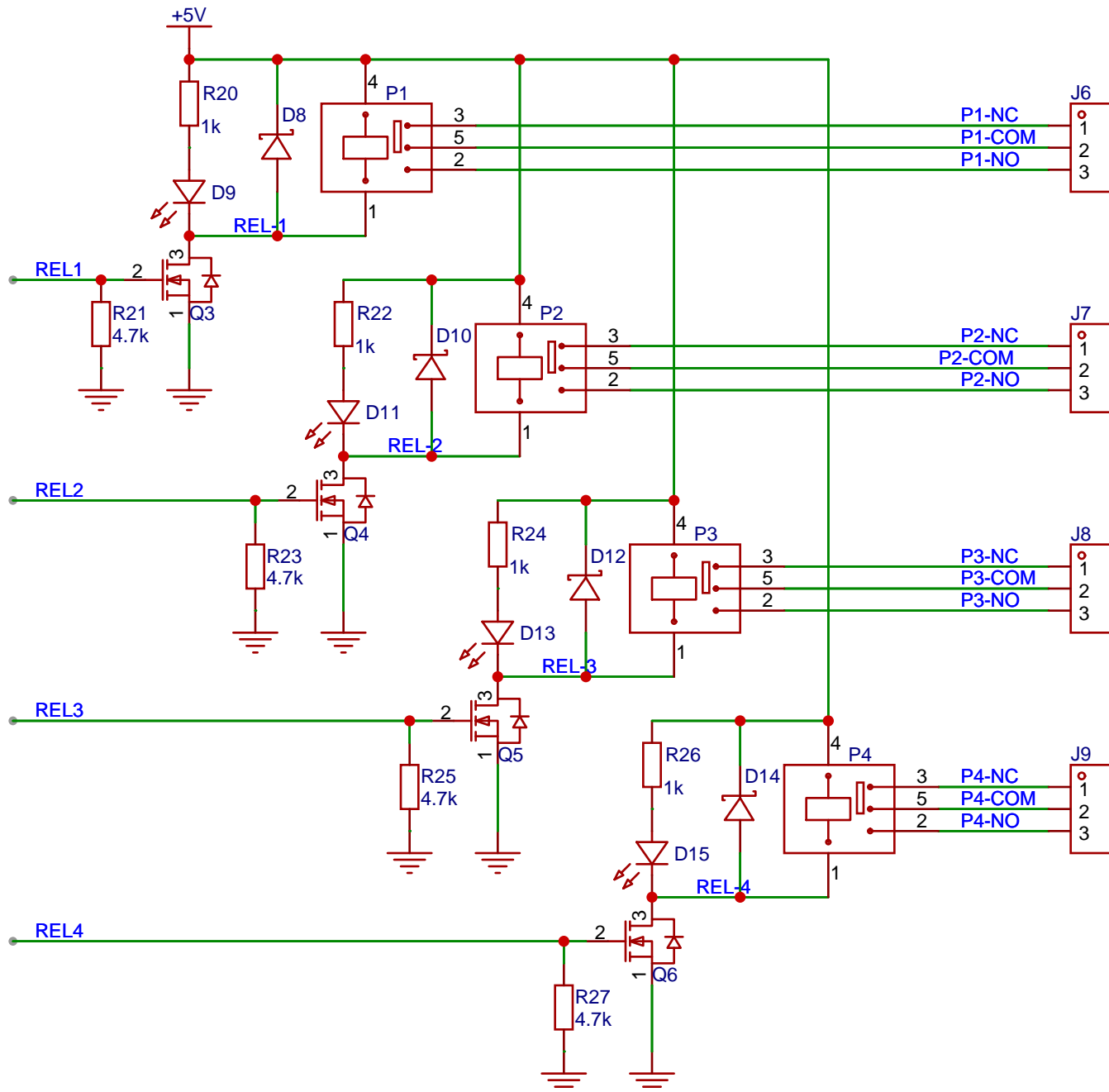
VER : 5.21

Created: 2022-08-01

Updated: 2023-01-07

UPC : 4782912926291

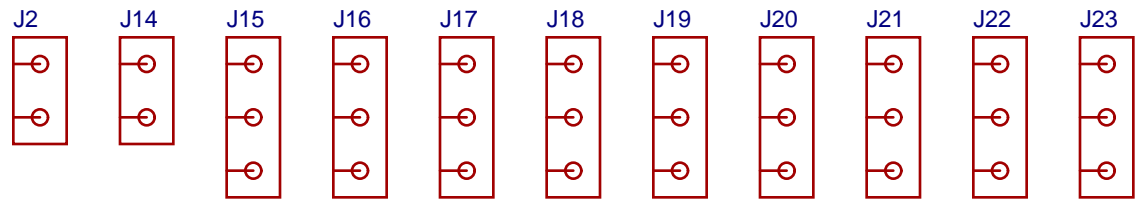
PAGE 4 OF 6



SEQUENTMICROSYSTEMS.COM

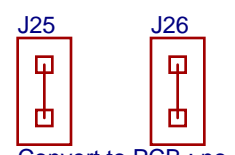
8-RELAYS-V5_21		SKU : SM-A-002
8-RELAYS-SCH		VER : 5.21
RELAYS		
Created: 2022-08-26	Updated: 2023-01-07	
UPC : 4782912926291	PAGE 5	OF 6

CONNECTOR PLUGS



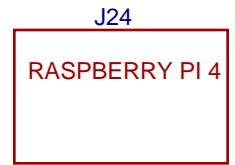
Convert to PCB : no

JUMPERS



Convert to PCB : no

RASPBERRY PI



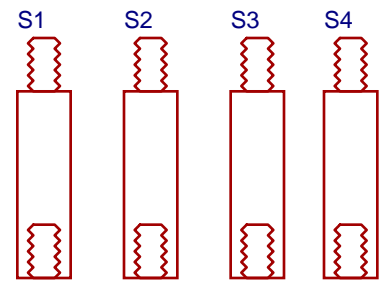
Convert to PCB : no

MOUNTING HOLES



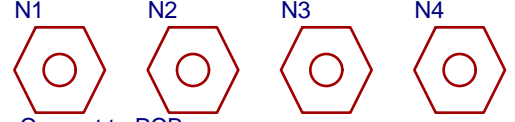
Convert to PCB : yes

19mm STANDOFFS



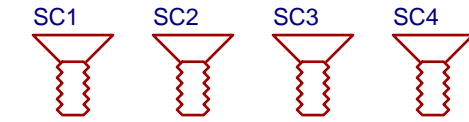
Convert to PCB : no

2.5MM NUTS



Convert to PCB : no

2.5MM X 5MM SCREWS



Convert to PCB : no

SEQUENTMICROSYSTEMS.COM

8-RELAYS-V5_21		SKU : SM-A-002
8-RELAYS-SCH		VER : 5.21
ACCESSORIES		
Created: 2022-08-04	Updated: 2023-03-17	
UPC : 4782912926291	PAGE 6	OF 6