

SEQUENTMICROSYSTEMS.COM

8-HV-INP-V2_0

SKU : SM-I-011

PI CONNECTOR

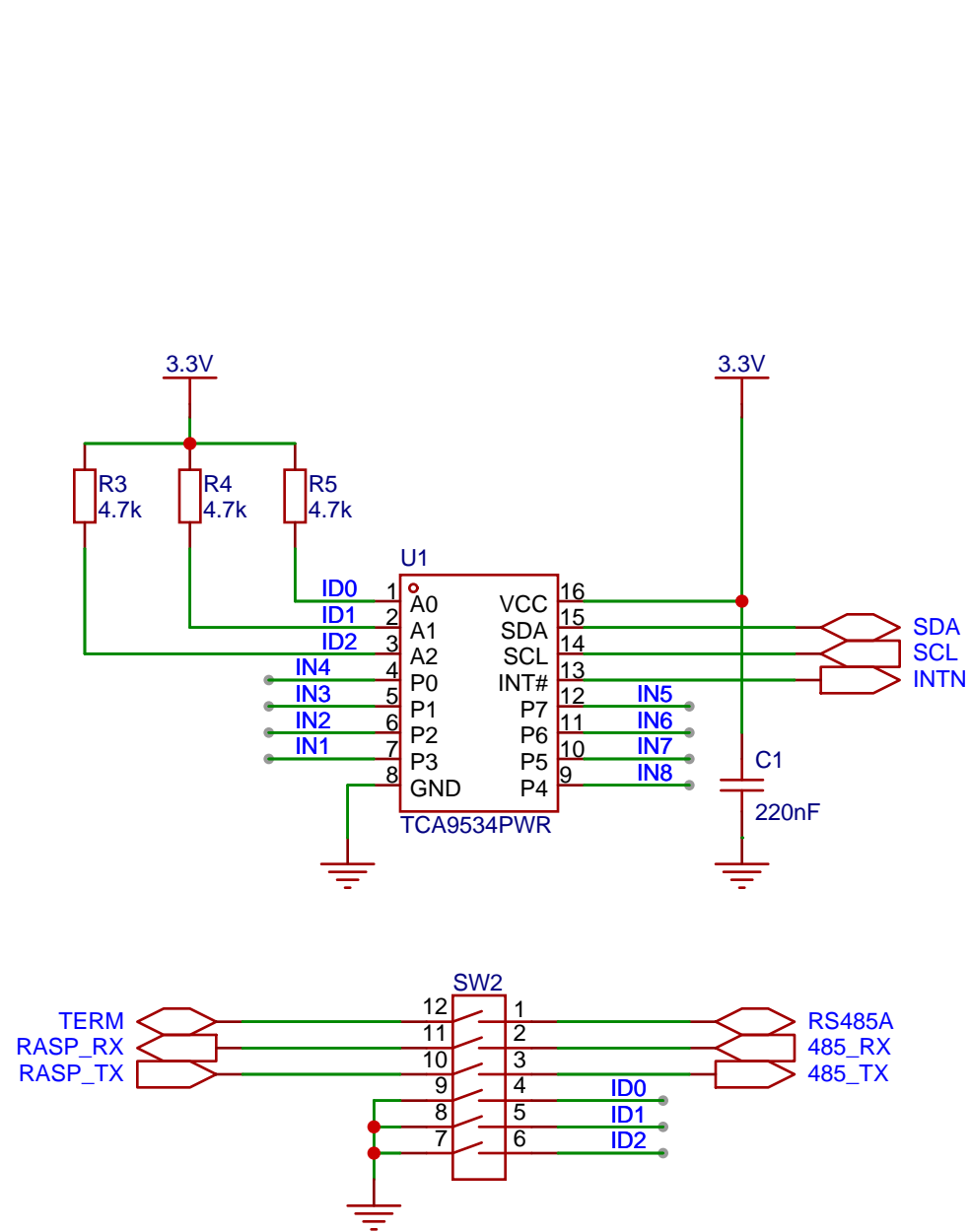
VER : 2

Created: 2022-08-02

Updated: 2023-02-19

UPC : 4782912926512

PAGE 1 OF 6



SEQUENTMICROSYSTEMS.COM

8-HV-INP-V2_0

SKU : SM-I-011

IO EXPANDER

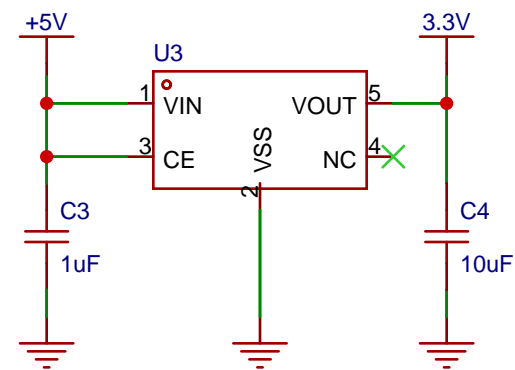
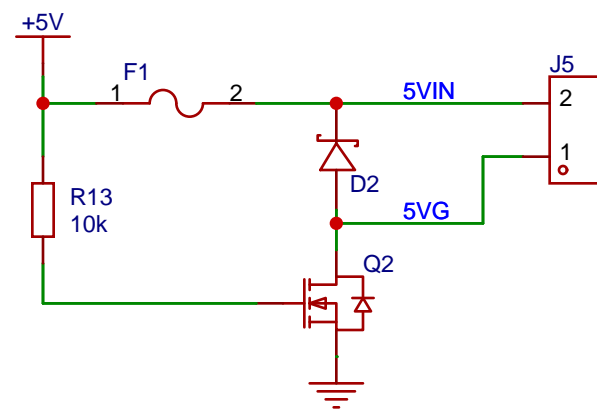
VER : 2

Created: 2022-08-01

Updated: 2023-02-19

UPC : 4782912926512

PAGE 2 OF 6



SEQUENTMICROSYSTEMS.COM

8-HV-INP-V2_0

SKU : SM-I-011

POWER SUPPLY

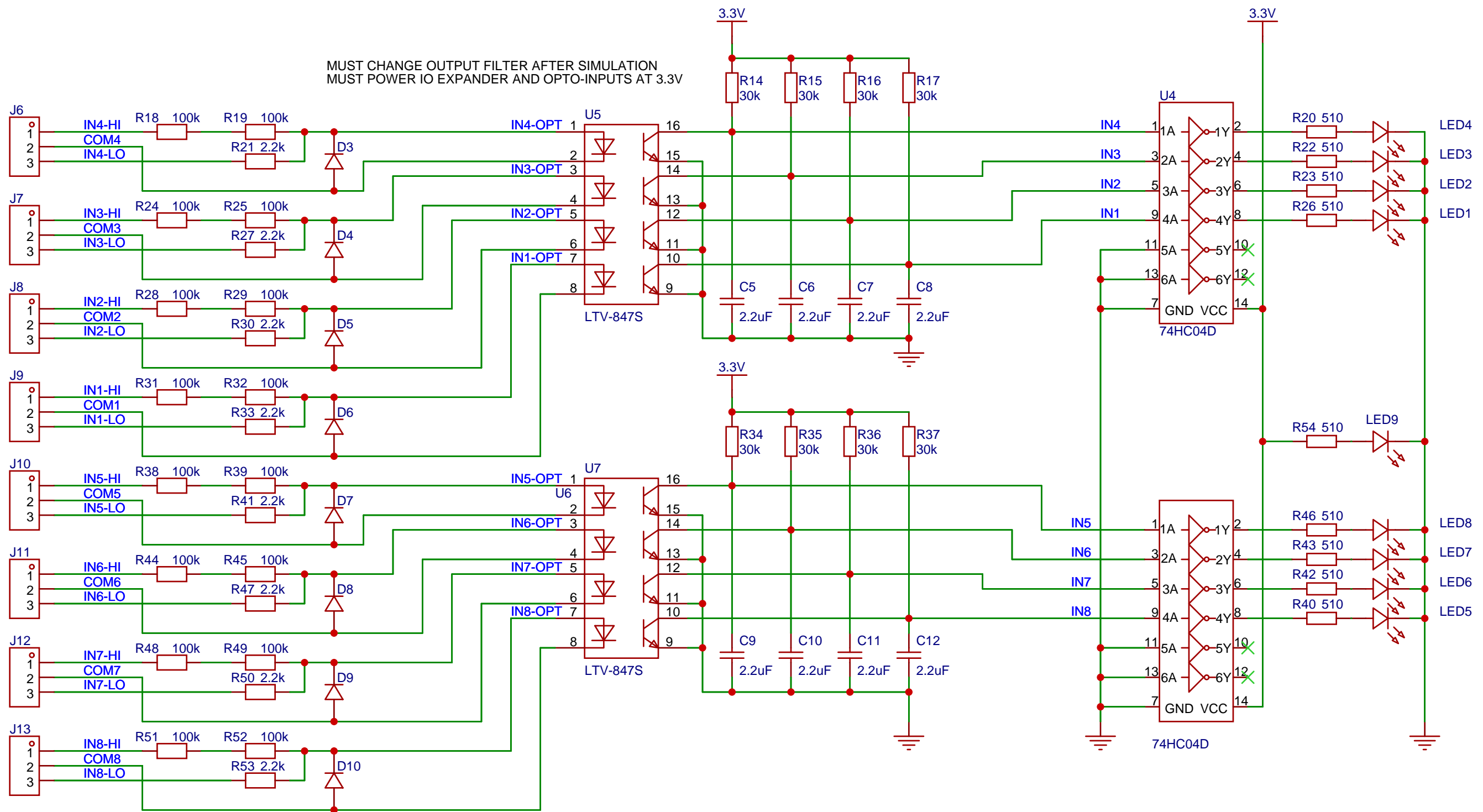
VER : 2

Created: 2022-08-01

Updated: 2023-02-19

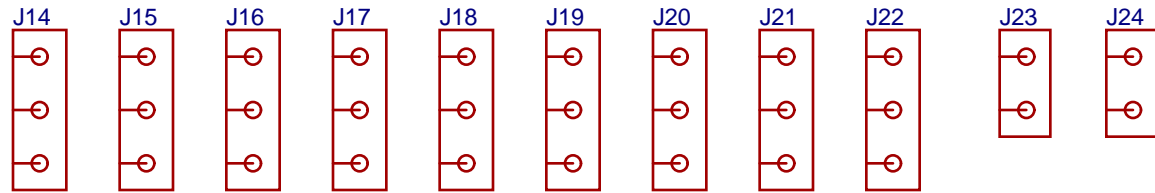
UPC : 4782912926512

PAGE 4 OF 6



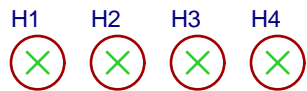
SEQUENTMICROSYSTEMS.COM	
8-HV-INP-V2_0	SKU : SM-I-011
HV INPUTS	VER : 2
Created: 2022-08-17	Updated: 2023-02-22
UPC : 4782912926512	PAGE 5 OF 6

CONNECTOR PLUGS



Convert to PCB : no
Add into BOM : no

MOUNTING HOLES

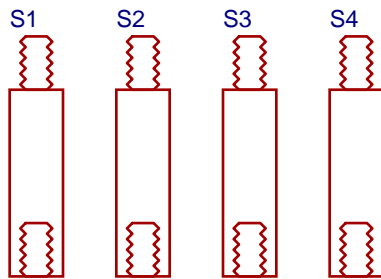


Convert to PCB : yes

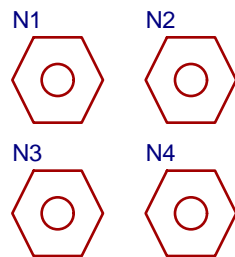
HOLE COORDS

138,138
2421,138
138,2067
2421,2067

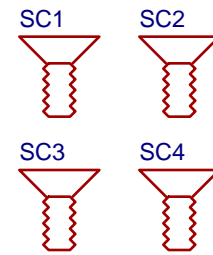
19mm STANDOFFS



2.5MM NUTS



2.5MM X 5MM SCREWS



SEQUENTMICROSYSTEMS.COM

8-HV-INP-V2_0

SKU : SM-I-011

ACCESSORIES

VER : 2

Created: 2022-08-04

Updated: 2023-02-23

UPC : 4782912926512

PAGE 6 OF 6