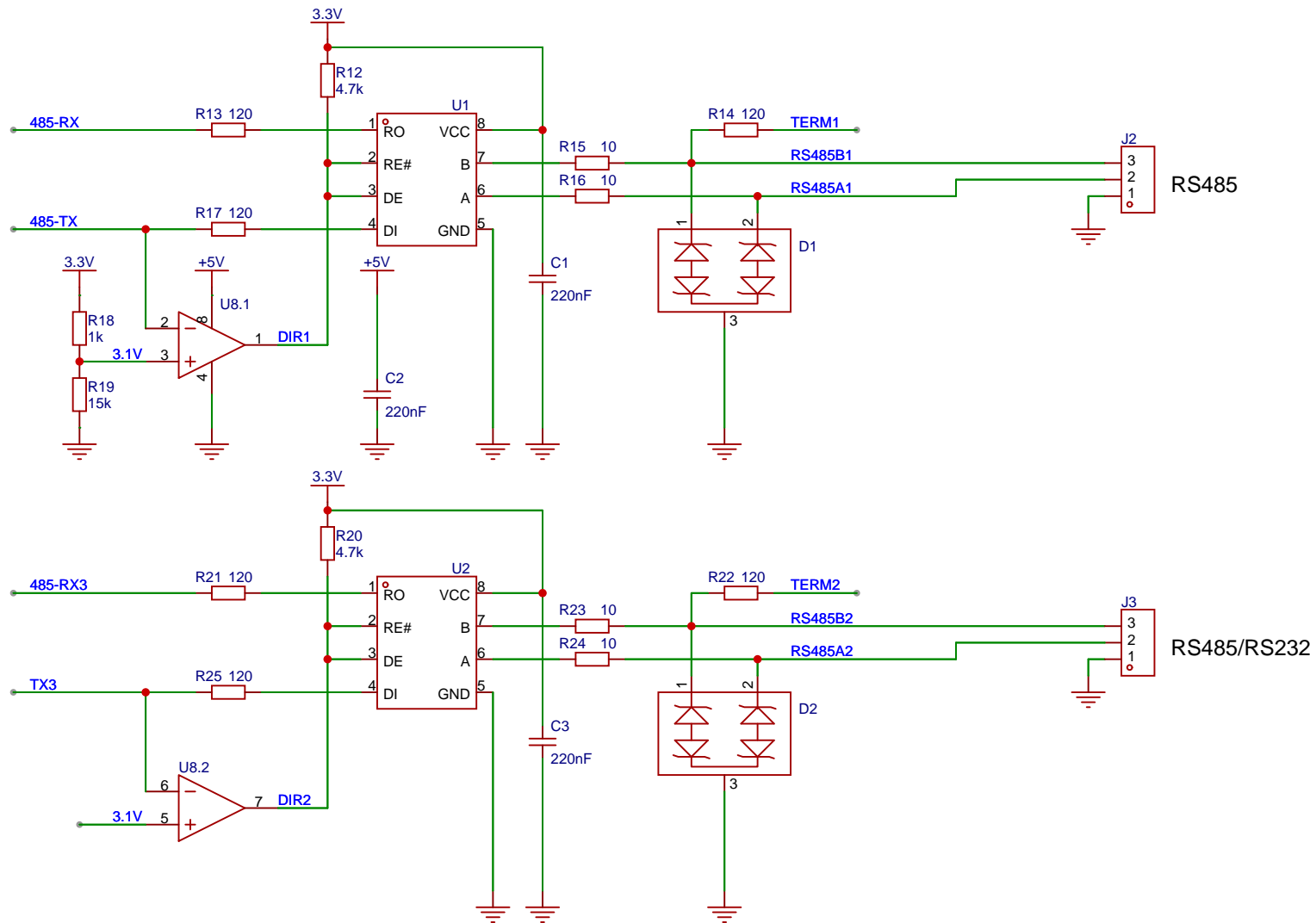


SEQUENTMICROSYSTEMS.COM	
4-SERIAL-V1	SKU : SM-I-026
PI CONNECTOR	VER : 1_0
Created: 2022-09-12	Updated: 2024-04-02
UPC : 4782912926932	PAGE 1 OF 5



SEQUENTMICROSYSTEMS.COM

4-SERIAL-V1

SKU : SM-I-026

2X RS485

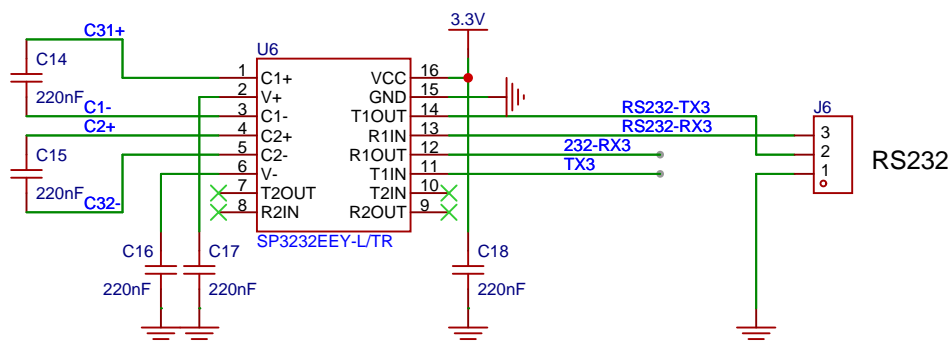
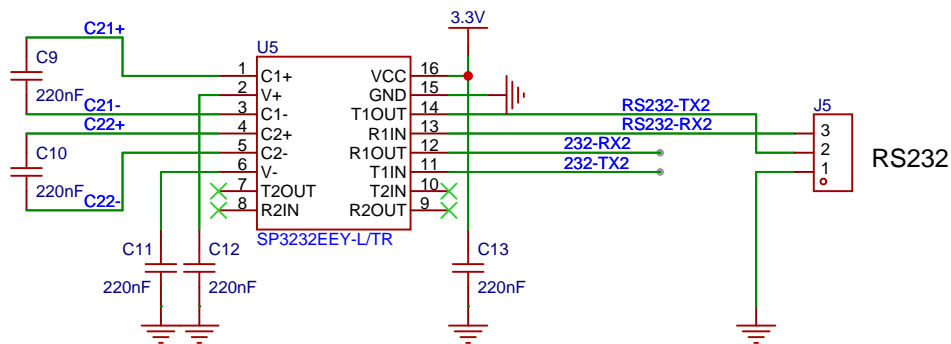
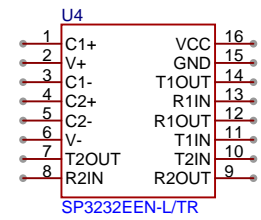
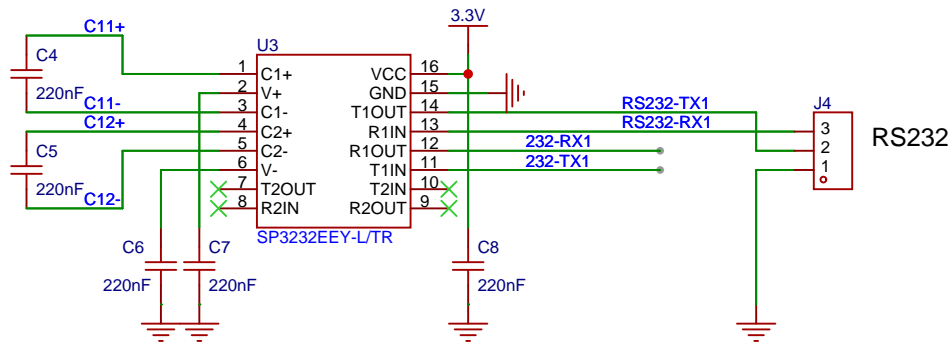
VER : 1_0

Created: 2022-09-12

Updated: 2024-03-15

UPC : 4782912926932

PAGE 2 OF 5



SEQUENTMICROSYSTEMS.COM

4-SERIAL-V1

SKU : SM-I-026

3X RS232

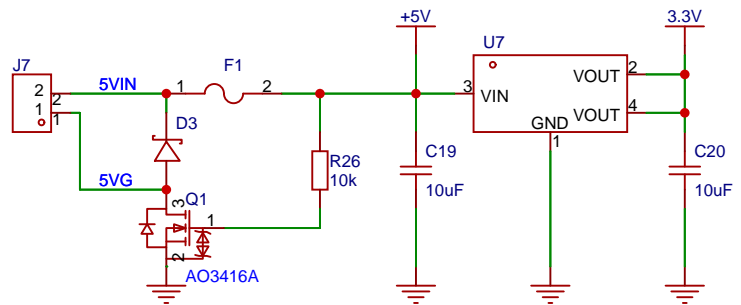
VER : 1_0

Created: 2024-02-24

Updated: 2024-03-15

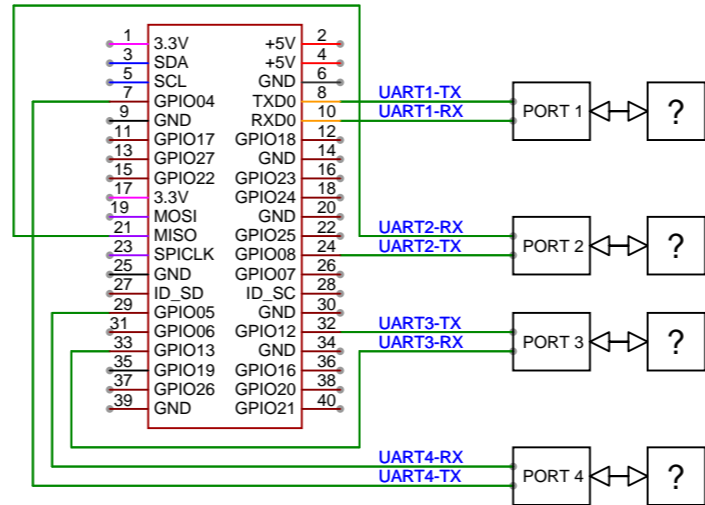
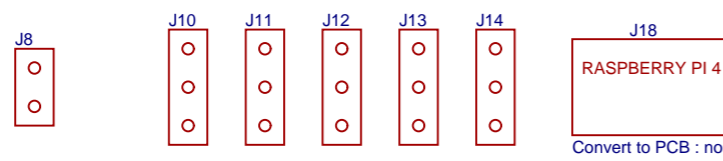
UPC : 4782912926932

PAGE 3 OF 5

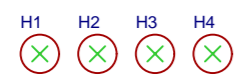


SEQUENTMICROSYSTEMS.COM

4-SERIAL-V1	SKU : SM-I-026
POWER SUPPLY	VER : 1_0
Created: 2022-09-12	Updated: 2024-04-03
UPC : 4782912926932	PAGE 4 OF 5



MOUNTING HOLES

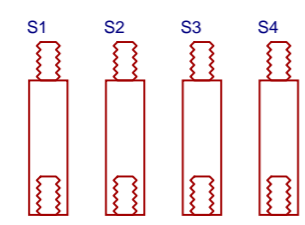


HOLE COORDS:
 986, 5611
 3269, 5611
 986, 3682
 3269, 3682

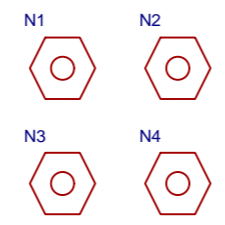


Convert to PCB : yes

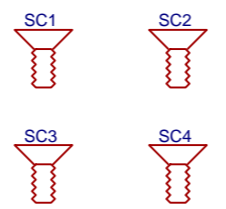
19mm STANDOFFS



2.5MM NUTS

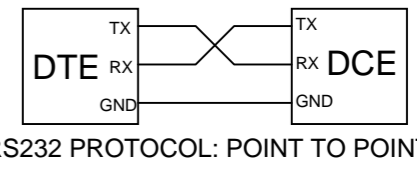


2.5MM X 5MM SCREWS

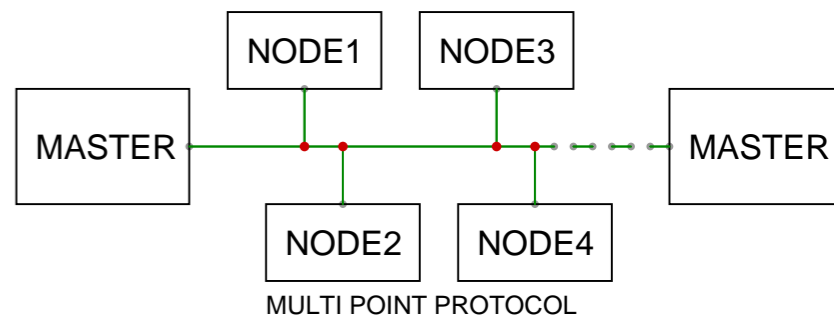


SEQUENTMICROSYSTEMS.COM

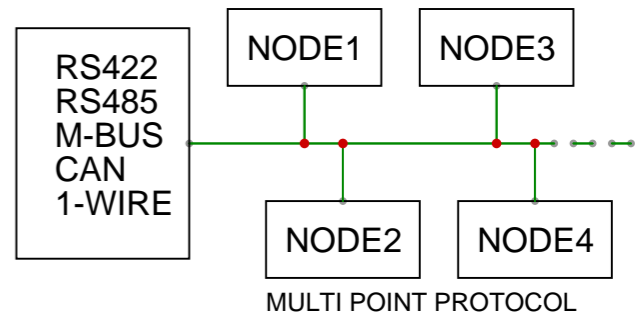
4-SERIAL-V1	SKU : SM-I-026
ACCESSORIES	VER : 1_0
Created: 2022-09-12	Updated: 2024-04-02
UPC : 4782912926932	PAGE 5 OF 5



RS232 PROTOCOL: POINT TO POINT



MULTI POINT PROTOCOL



MULTI POINT PROTOCOL